



US00D373630S

United States Patent [19]

Berg et al.

[11] Patent Number: **Des. 373,630**

[45] Date of Patent: ****Sep. 10, 1996**

[54] **INHALATION SPACER FOR AEROSOL MEDICATION**

4,174,712 11/1979 Moren et al. .
5,012,803 5/1991 Foley et al. .
5,203,323 4/1993 Tritle 12/200.23

[75] Inventors: **Elna Berg**, Dalby; **Jan Karlsson**, Hjärup, both of Sweden

FOREIGN PATENT DOCUMENTS

[73] Assignee: **AB Astra**, Sodertalje, Sweden

699313 12/1964 Canada 128/200.23
0384050 8/1990 European Pat. Off. .
2230456 10/1990 United Kingdom .
9100117 1/1991 WIPO 128/203.15
9204065 3/1992 WIPO 128/200.23
9311817 6/1993 WIPO 128/200.23

[**] Term: **14 Years**

[21] Appl. No.: **26,218**

[22] Filed: **Jul. 22, 1994**

Primary Examiner—Louis S. Zarfaz
Assistant Examiner—I. Simmons
Attorney, Agent, or Firm—Fish & Richardson P.C.

[30] Foreign Application Priority Data

Jan. 27, 1994 [SE] Sweden 94-0206

[52] U.S. Cl. **D24/110**

[58] Field of Search D24/110.5, 110;
128/200.23, 200.14, 200.21, 200.22, 203.12,
203.15

[57] CLAIM

The ornamental design for an inhalation spacer for aerosol medication, as shown.

[56] References Cited

U.S. PATENT DOCUMENTS

D. 136,885 12/1943 Osmun D24/110
D. 269,463 6/1983 Young D24/110
D. 295,321 4/1988 Hallworth D24/110
D. 340,975 11/1993 Sladek D24/110
D. 348,100 6/1994 Clarke D24/110
3,645,698 2/1972 Holybee et al. 422/100 X

DESCRIPTION

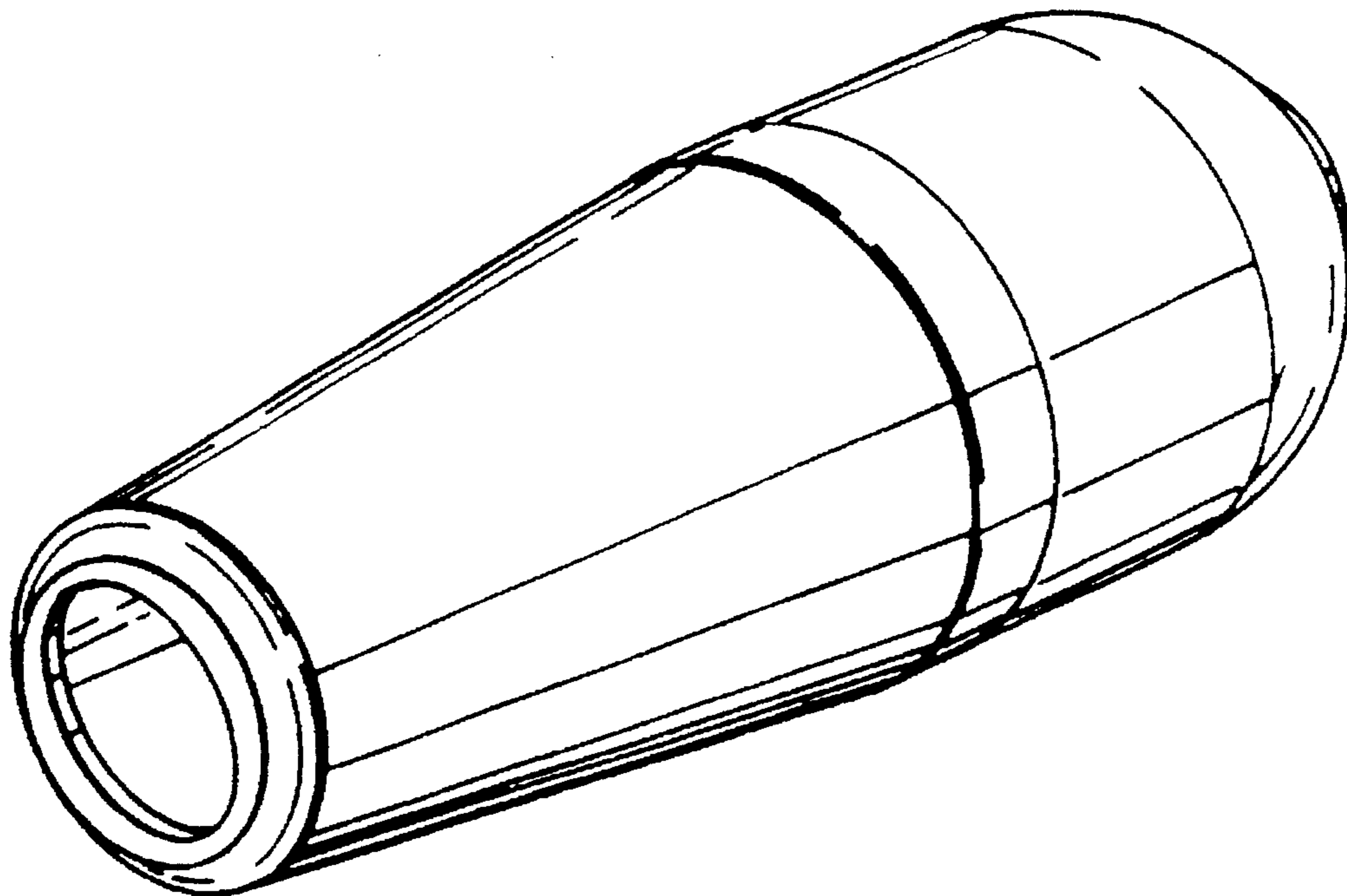
FIG. 1 is a perspective view of one side of the inhalation spacer for aerosol medication in accordance with the invention;

FIG. 2 is a side elevation thereof;

FIG. 3 is a view of one end thereof; and,

FIG. 4 is a view of the opposite end thereof.

1 Claim, 1 Drawing Sheet



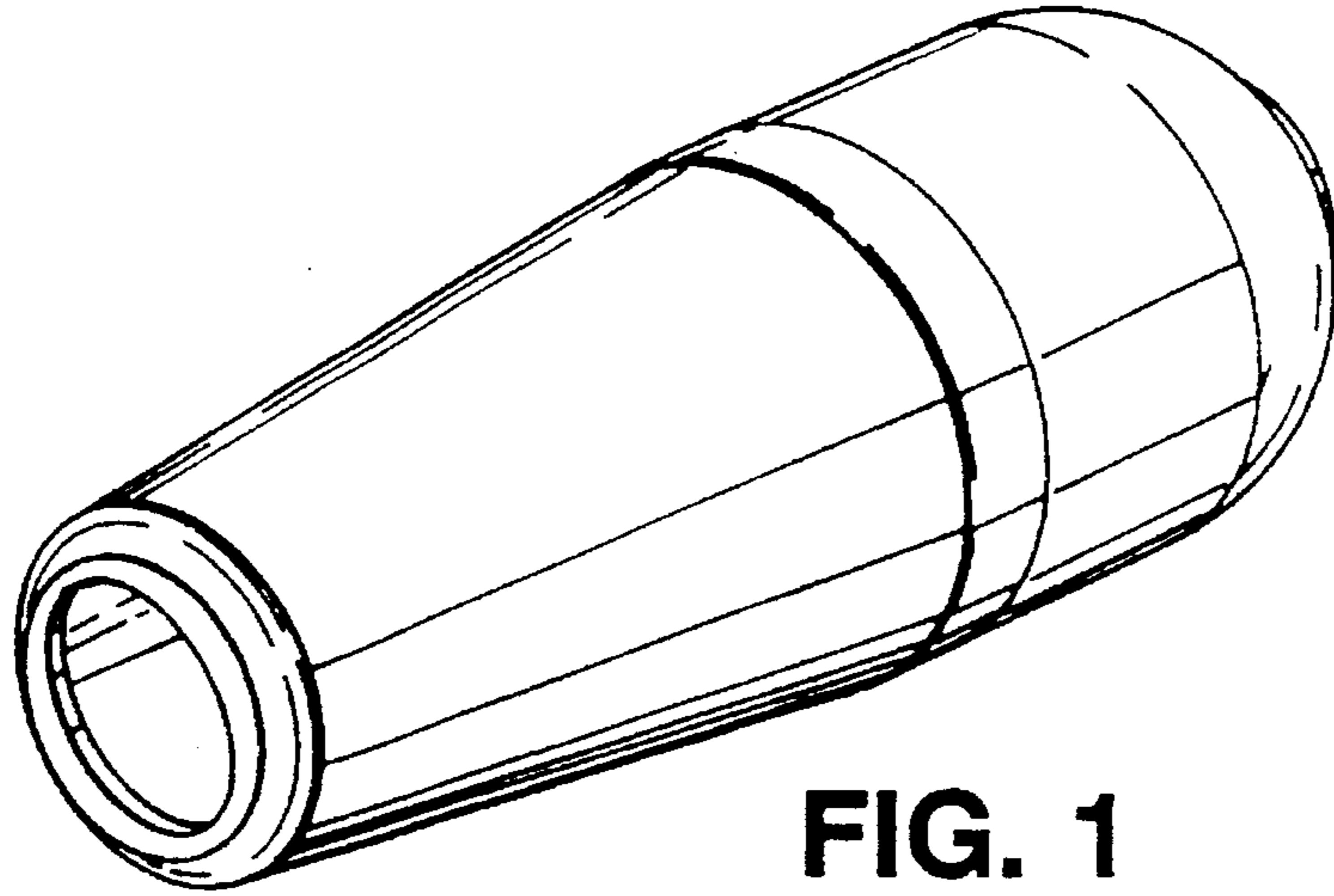


FIG. 1

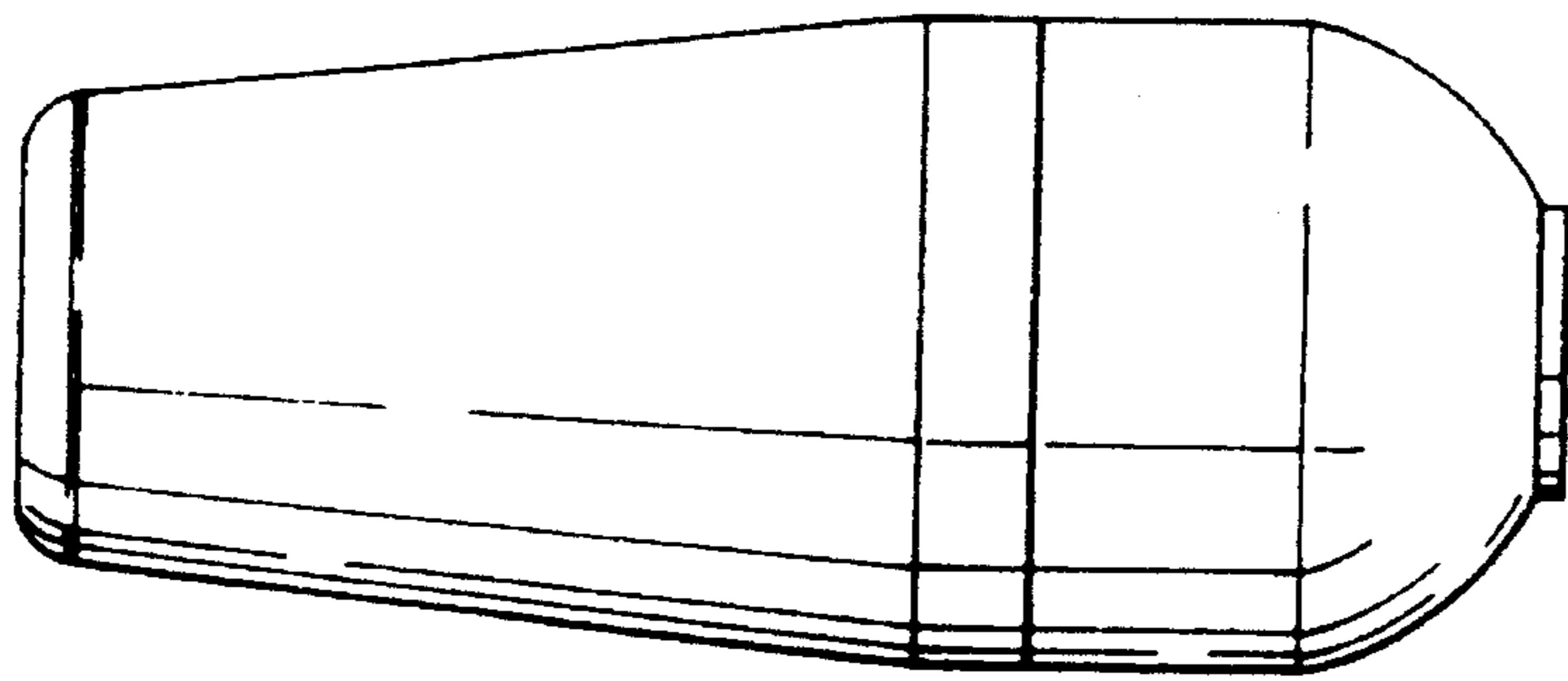


FIG. 2

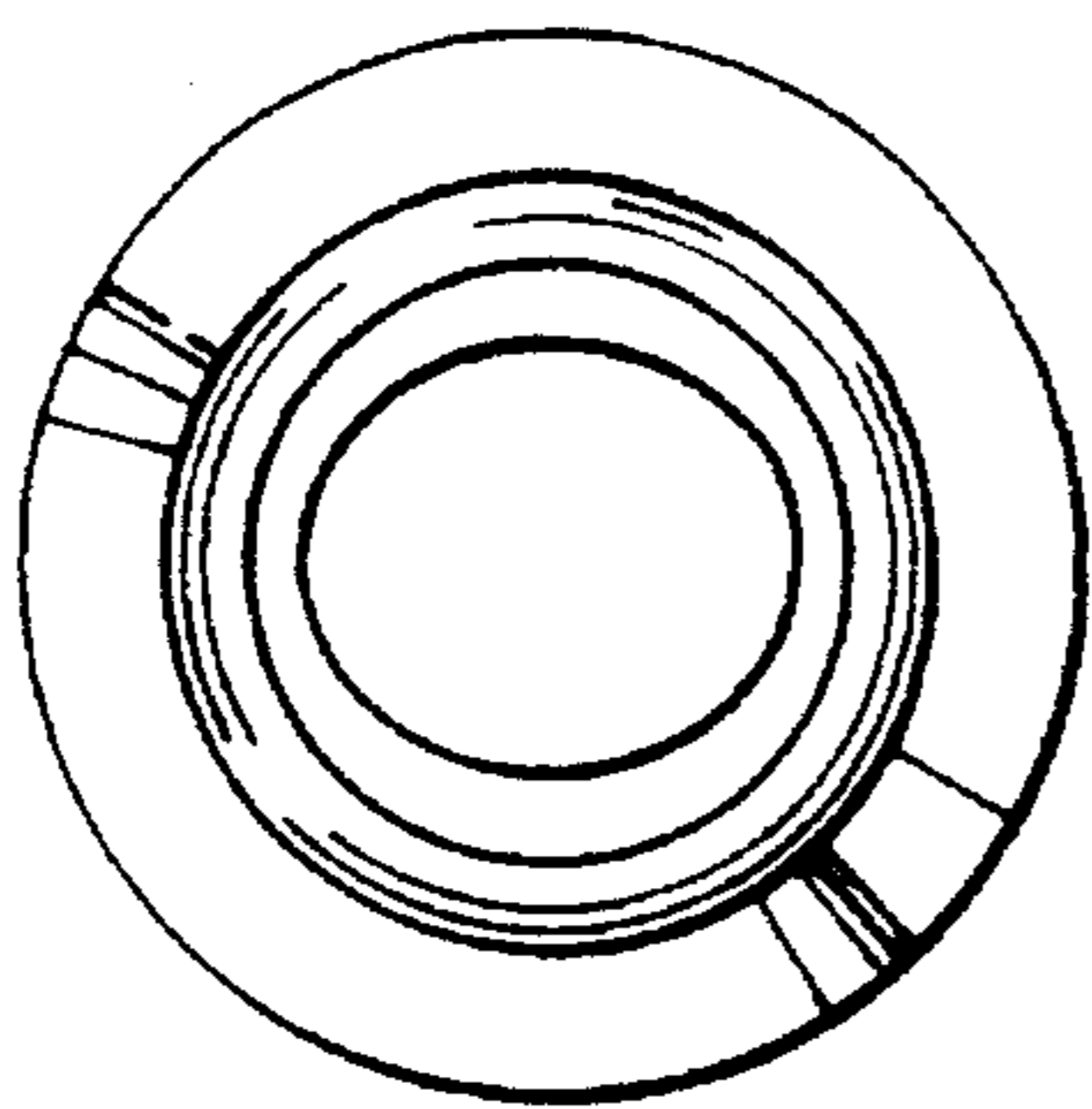


FIG. 3

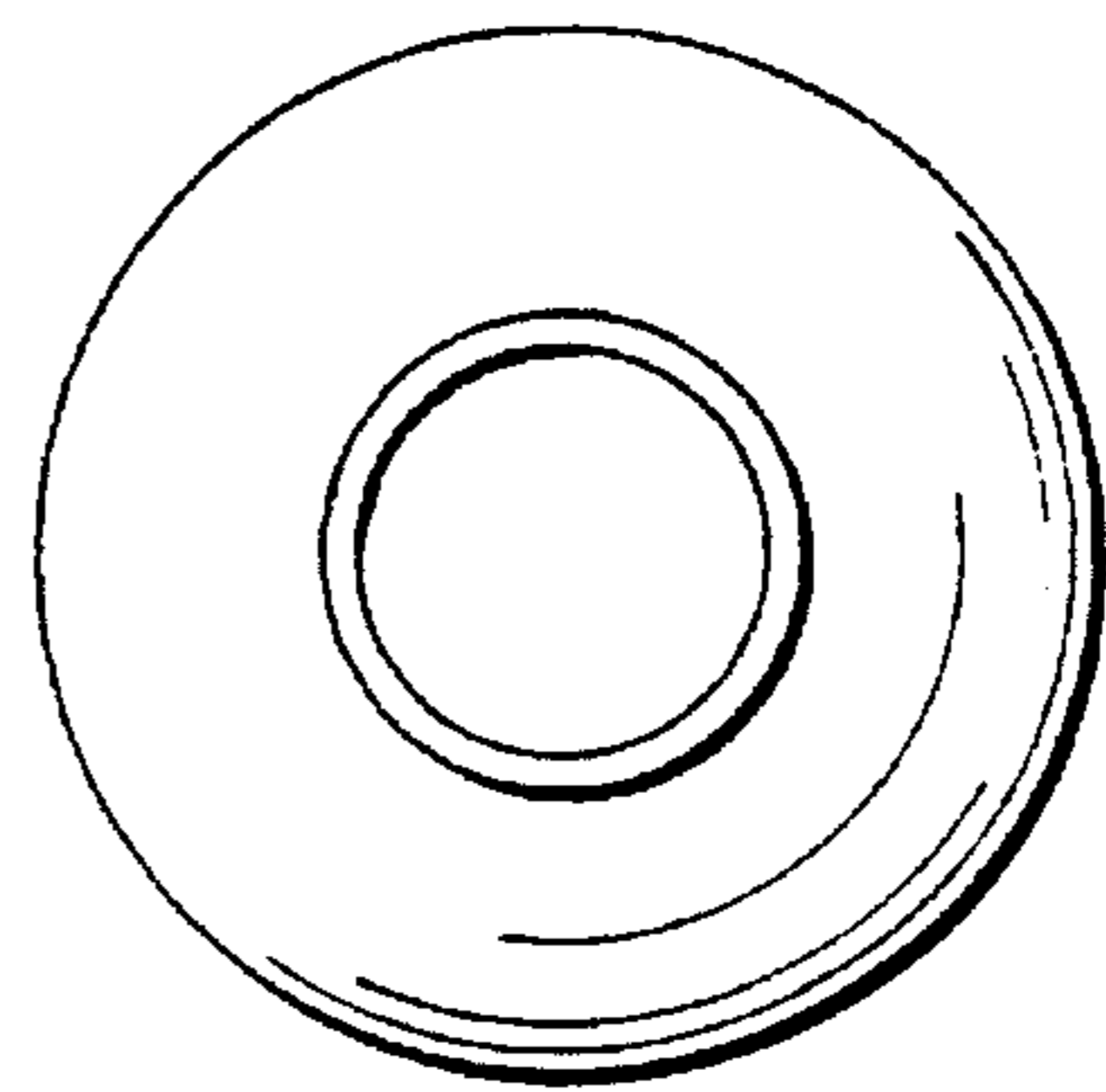


FIG. 4