



US00D373629S

United States Patent [19]

[11] **Patent Number: Des. 373,629**

Chan

[45] **Date of Patent: **Sep. 10, 1996**

[54] **COMBINED CEILING FAN MOTOR HOUSING, CANOPY, SUPPORT ROD, PULL CORDS AND LIGHT FIXTURES UNIT**

Primary Examiner—Lisa P. Lichtenstein
Attorney, Agent, or Firm—Morton J. Rosenberg; David I. Klein

[76] **Inventor: Bobby Chan**, No. 203 Wu Chiuan Road, Taichung City, Taiwan

[57] CLAIM

[**] **Term: 14 Years**

The ornamental design for a combined ceiling fan motor housing, canopy, support rod, pull cords and light fixtures unit, as shown.

[21] **Appl. No.: 46,099**

DESCRIPTION

[22] **Filed: Nov. 7, 1995**

[52] **U.S. Cl.** D23/411; D23/377; D23/379; D23/385; D26/80

[58] **Field of Search** D23/377, 379, D23/385, 411, 413; D26/80-86, 88, 59, 72, 51; 416/5; 362/96; 392/364

FIG. 1 is a front elevational view of a combined ceiling fan, motor housing, canopy, support rod, pull cords and light fixtures unit showing my new design;

FIG. 2 is a left side elevational view thereof;

FIG. 3 is a right side elevational view thereof;

FIG. 4 is a top plan view thereof;

FIG. 5 is a bottom plan view thereof;

FIG. 6 is a rear elevational view thereof; and,

FIG. 7 is a perspective view thereof.

[56] References Cited

U.S. PATENT DOCUMENTS

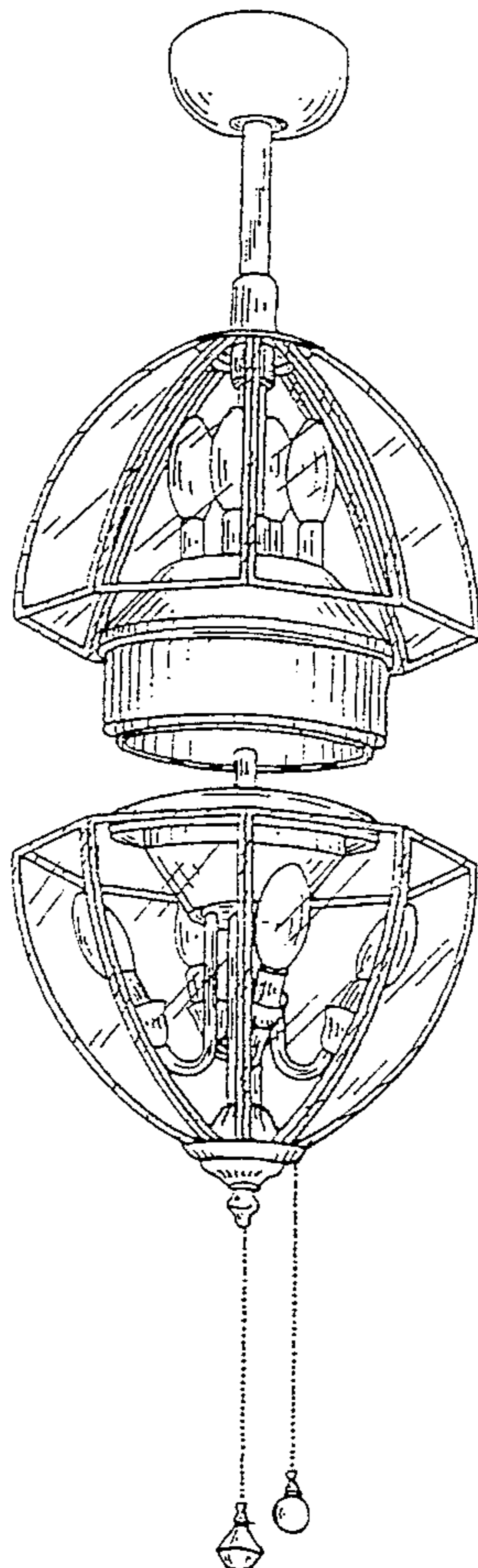
D. 253,308 10/1979 Glassman D26/81

OTHER PUBLICATIONS

Hunter Fan Co. Adv. Flyer, ©1987, back page, ceiling Fan (A), top of page.

Craftmade Internat'l, Inc. Cat., p. 27, Light Fixture B, upper middle side of page.

1 Claim, 7 Drawing Sheets



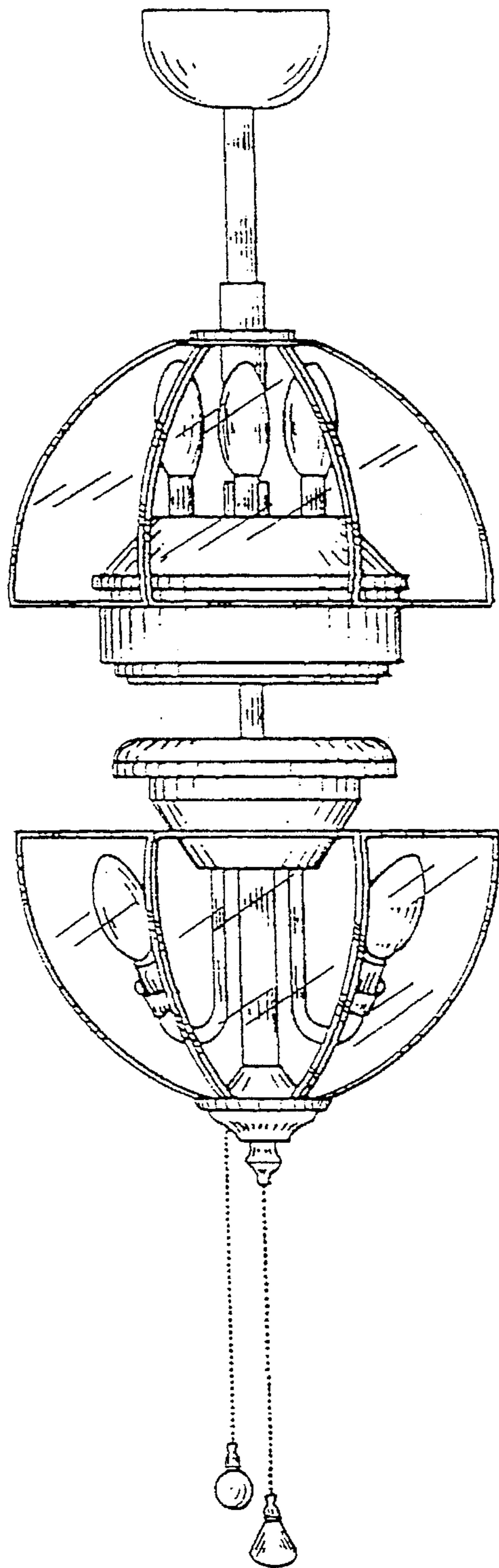


FIG. 1

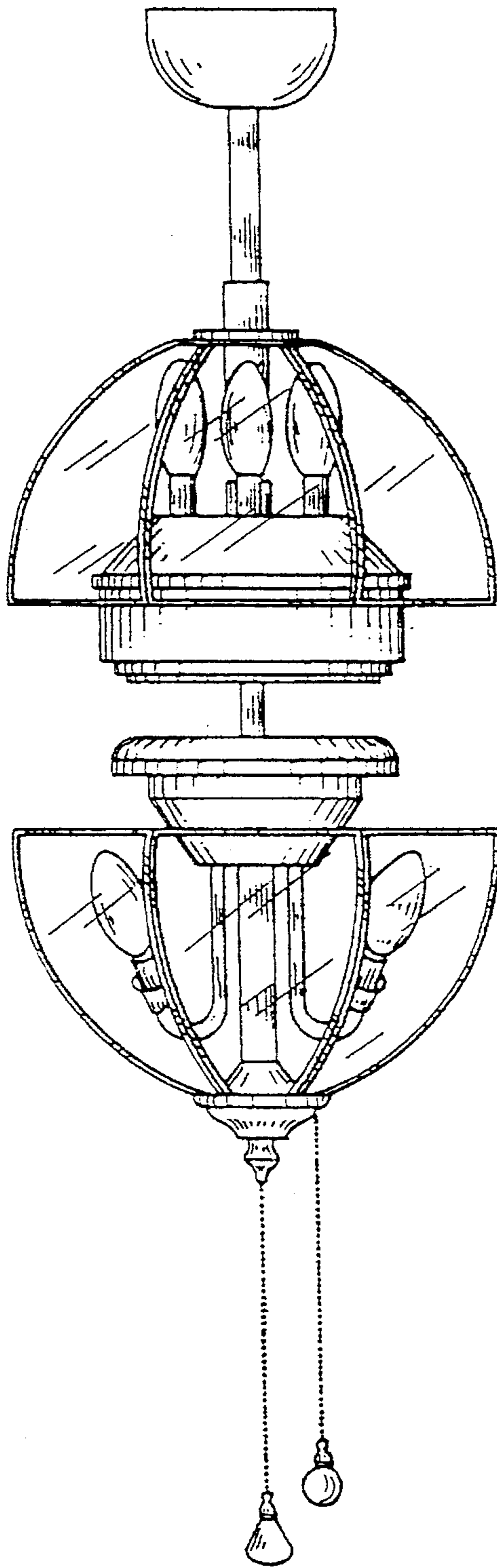


FIG. 2

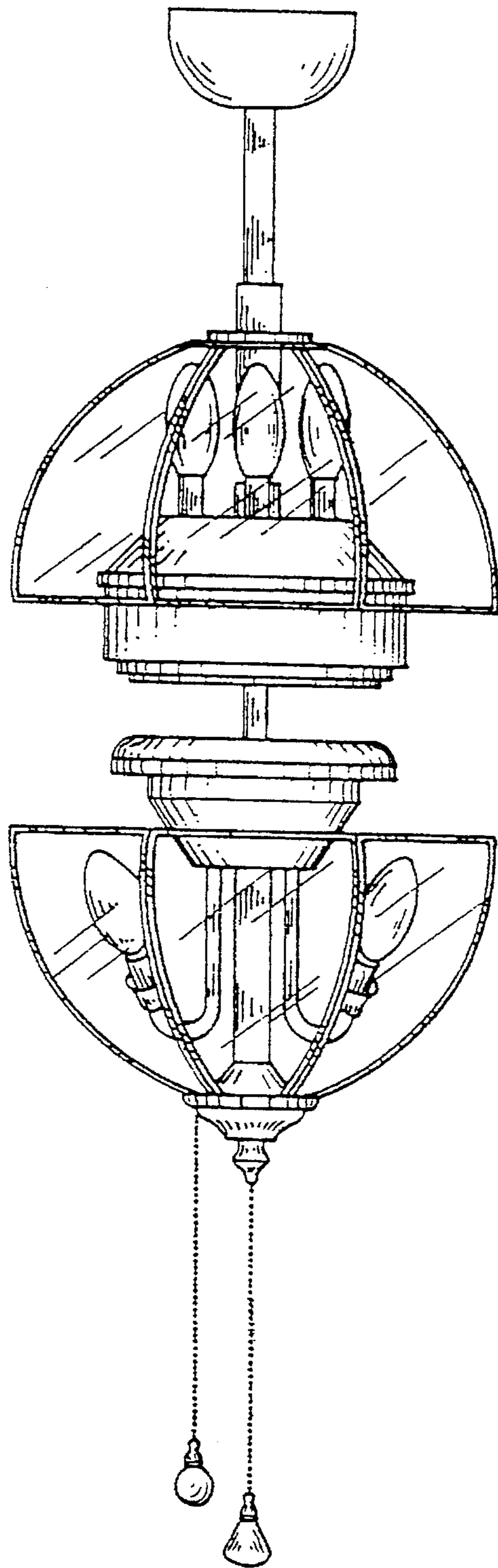


FIG. 3

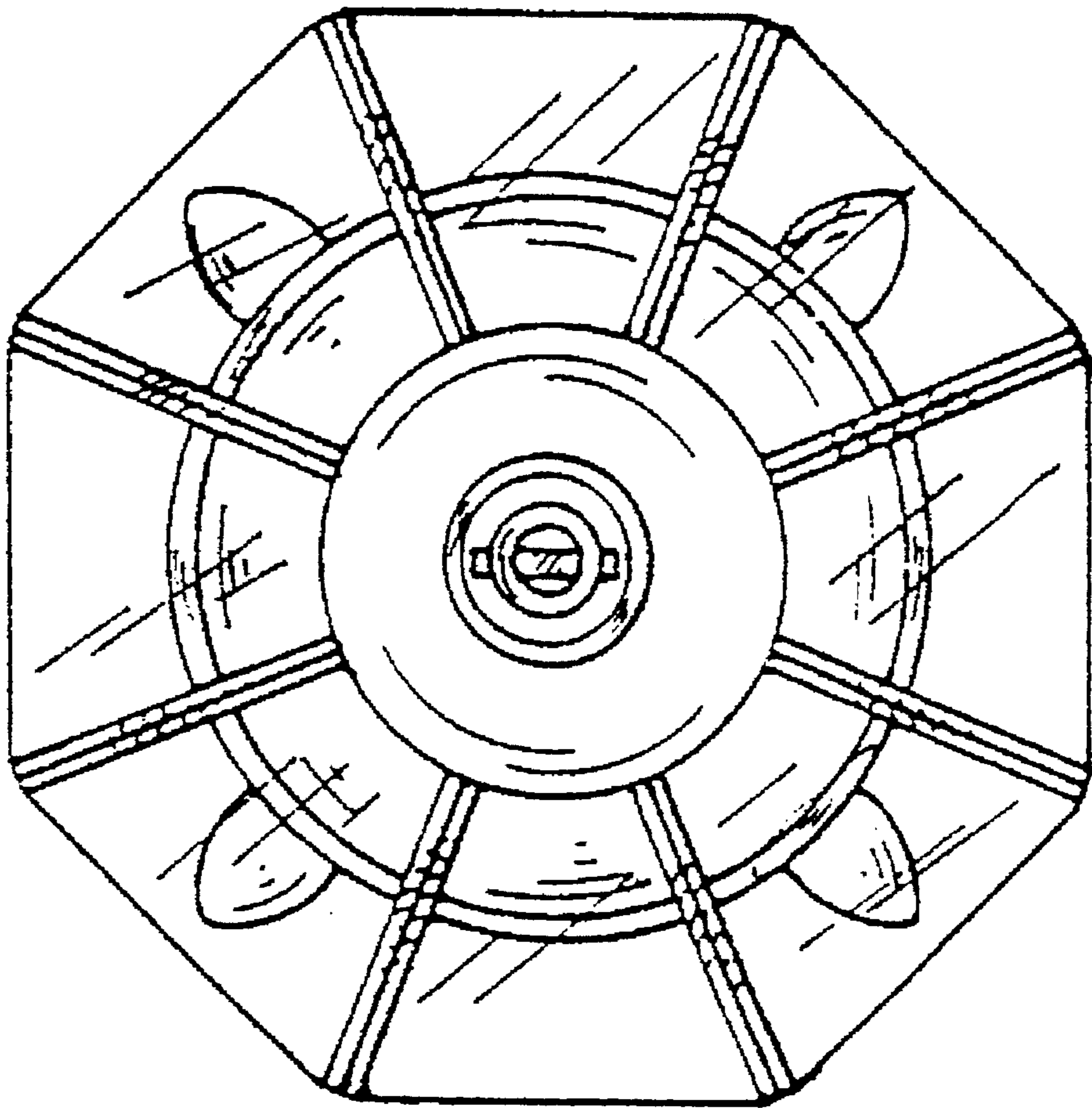


FIG. 4

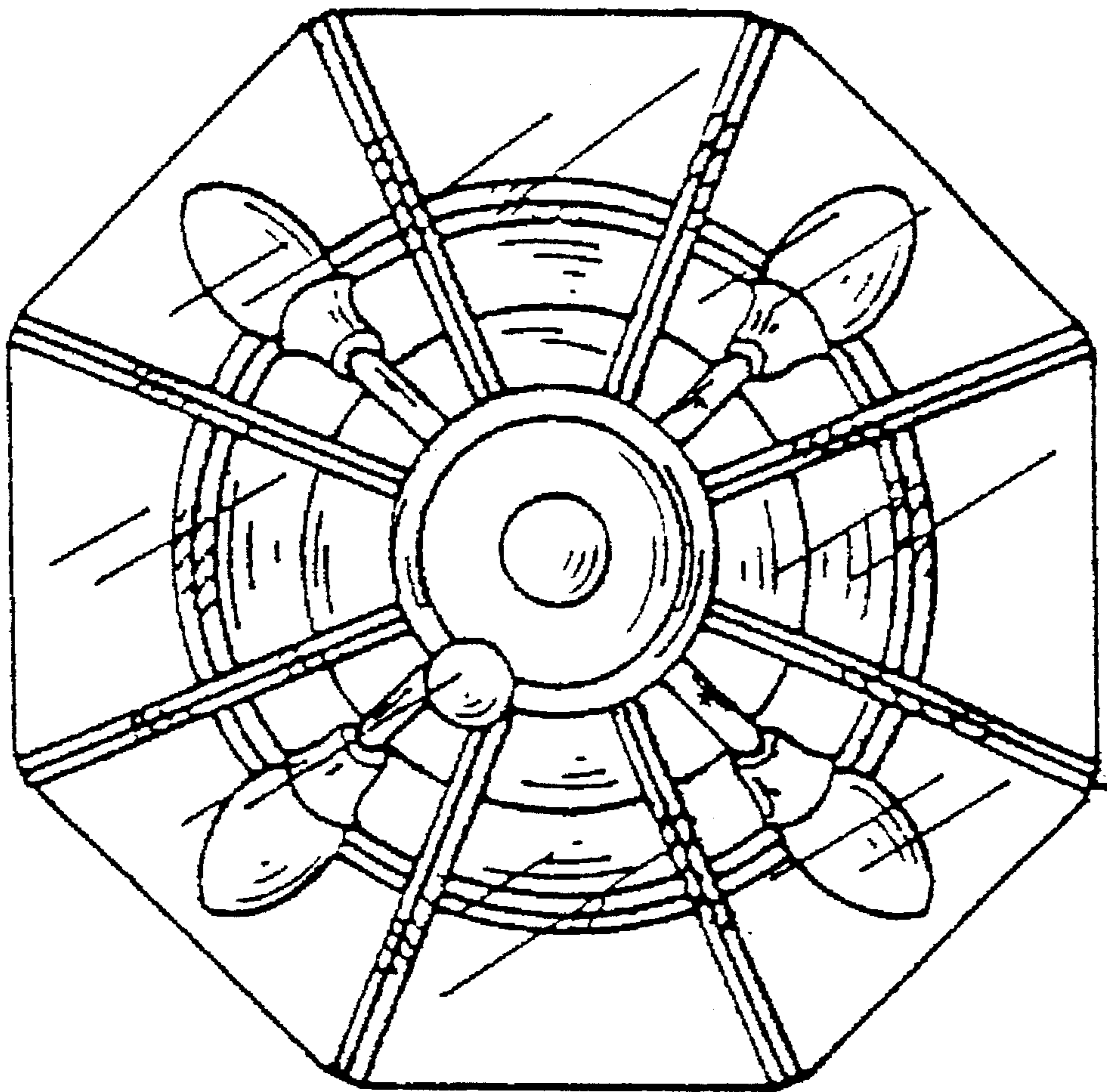


FIG. 5

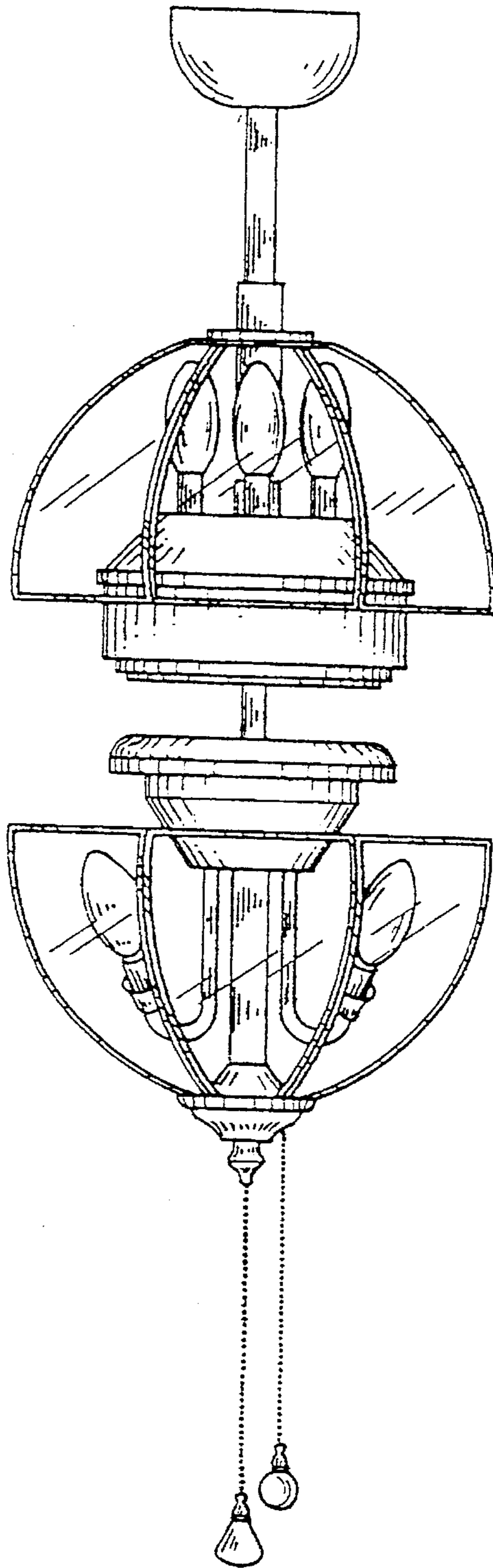


FIG. 6

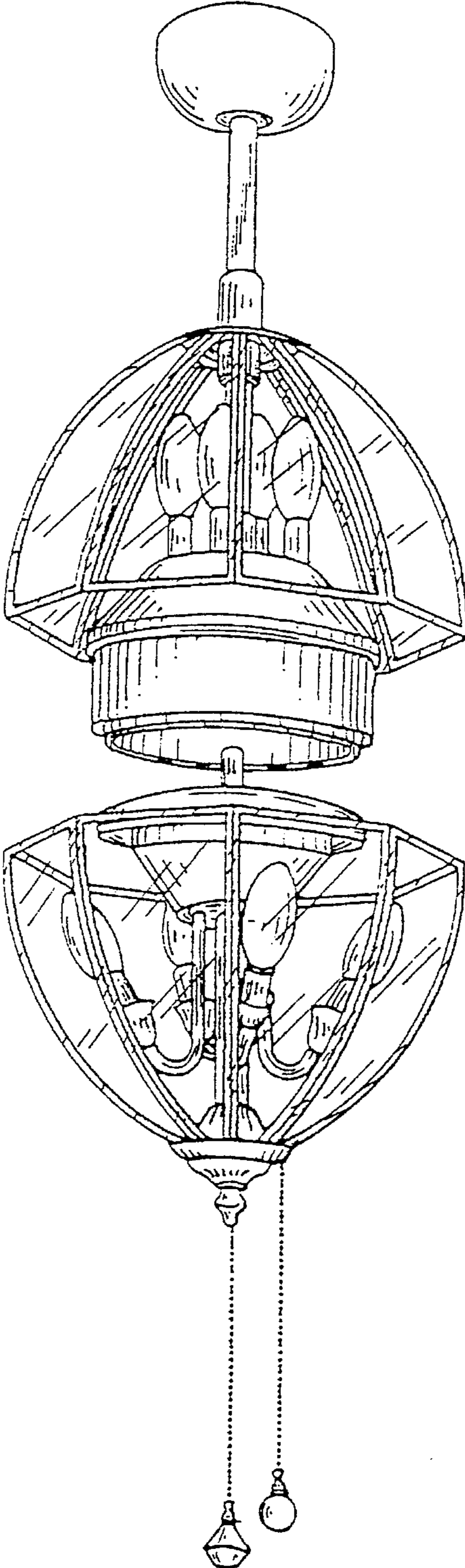


FIG. 7