



US00D373628S

United States Patent [19]

[11] Patent Number: **Des. 373,628**

DiSandro

[45] Date of Patent: ****Sep. 10, 1996**

[54] **COMBINED FOOTBALL CEILING FAN AND LIGHT FIXTURE**

D. 365,874 1/1996 Kuo D23/411

Primary Examiner—Lisa P. Lichtenstein

[76] Inventor: **Francesco DiSandro**, 2902 Grisdale Ave., Abington, Pa. 19001

[57] **CLAIM**

[**] Term: **14 Years**

The ornamental design for a combined football ceiling fan and light fixture, as shown.

[21] Appl. No.: **43,492**

DESCRIPTION

[22] Filed: **Sep. 5, 1995**

[52] U.S. Cl. **D23/377; D23/379; D23/385**

FIG. 1 is a front elevational view of the combined football ceiling fan and light fixture showing my new design;

[58] Field of Search **D23/377, 379, D23/385, 411, 413; 416/5; 362/96; 392/364; D26/72, 73, 81-86, 88, 59, 51**

FIG. 2 is a rear elevational view thereof;

FIG. 3 is a right view thereof;

FIG. 4 is a left view thereof;

FIG. 5 is a top plan view thereof; and,

FIG. 6 is a bottom plan view thereof.

[56] **References Cited**

U.S. PATENT DOCUMENTS

D. 360,940 8/1995 Collmar D23/379

1 Claim, 3 Drawing Sheets

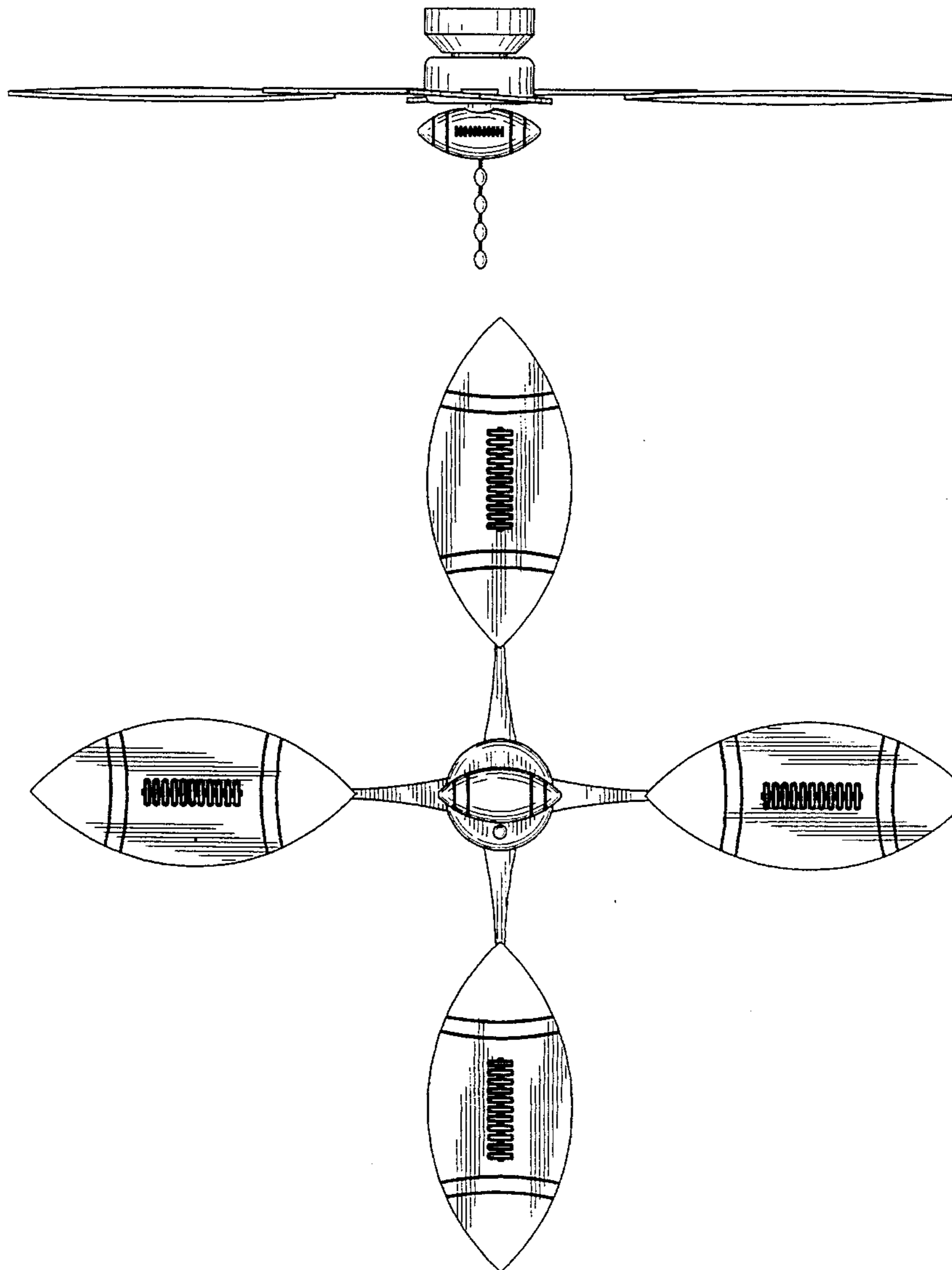


FIG. 1

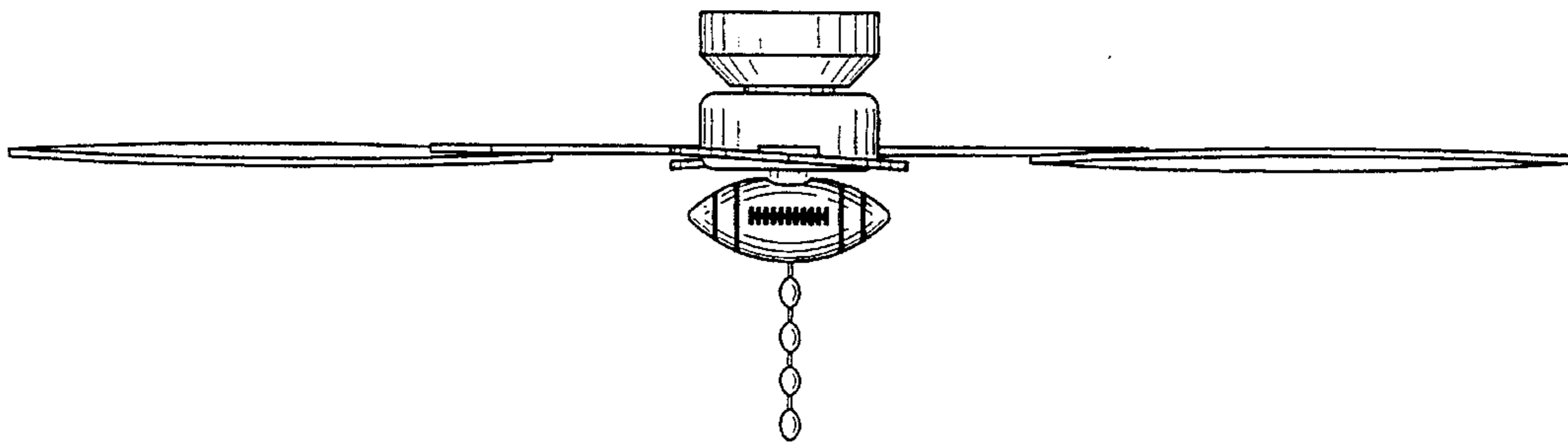


FIG. 2

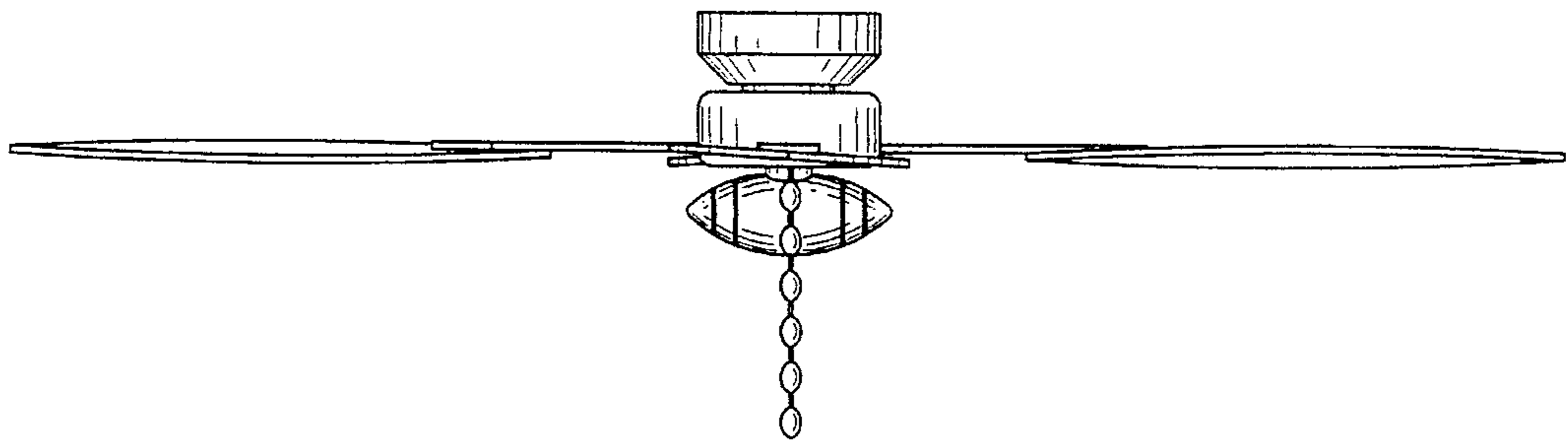


FIG. 3

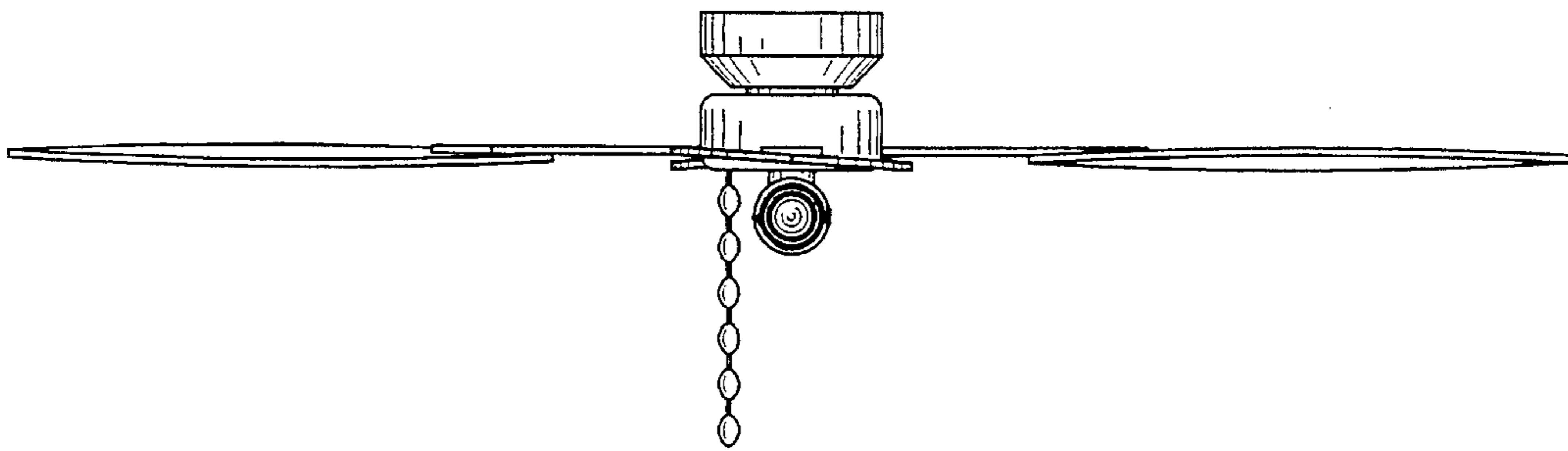


FIG. 4

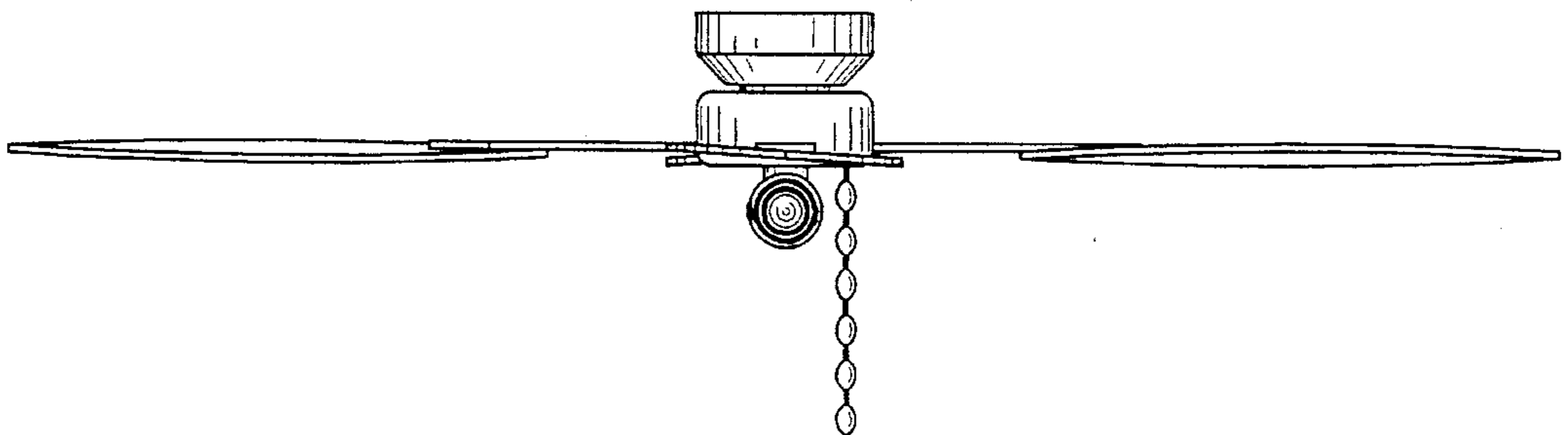


FIG. 5

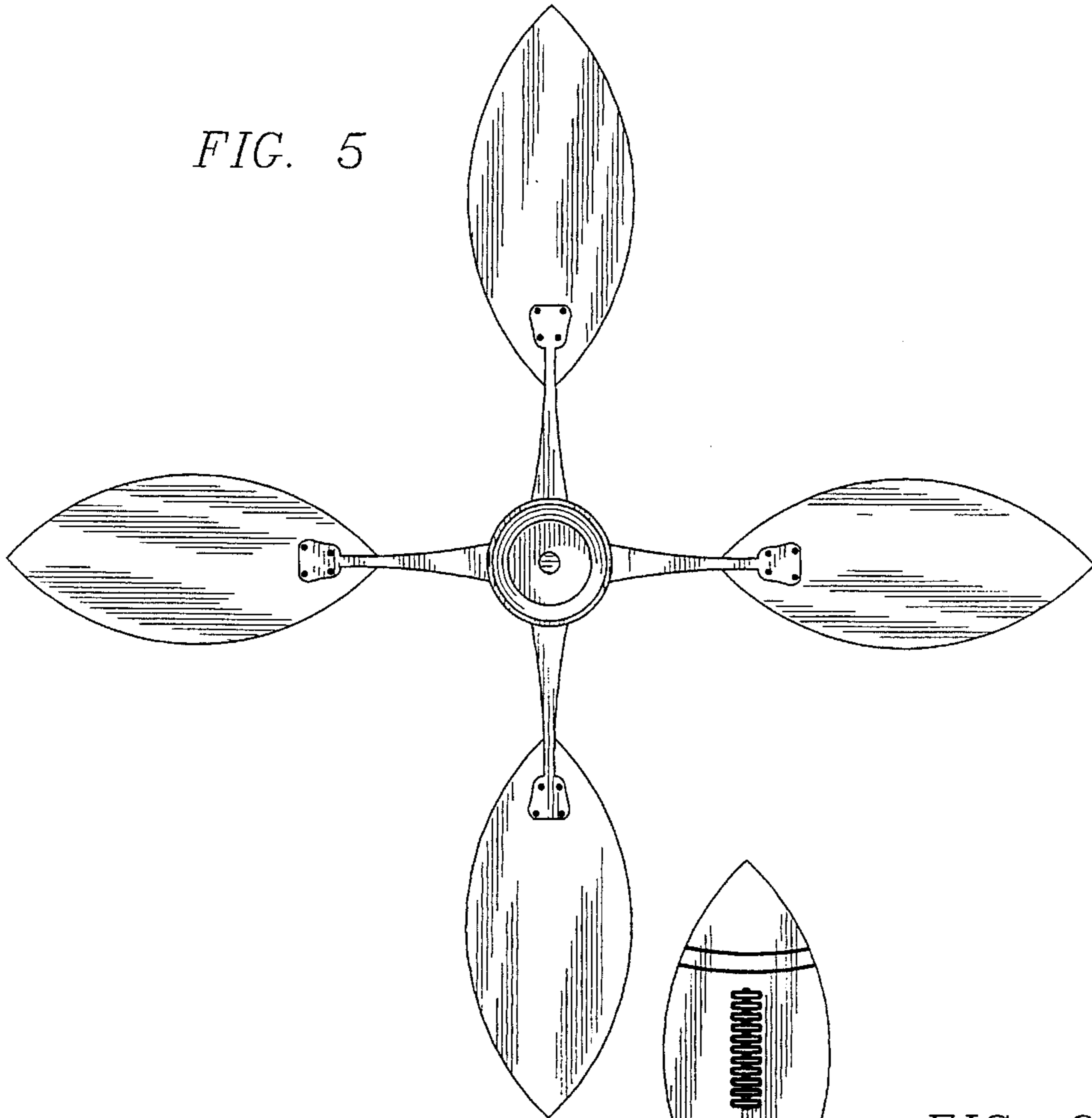


FIG. 6

