



US00D373626S

United States Patent [19]

Dente et al.

[11] Patent Number: **Des. 373,626**

[45] Date of Patent: ****Sep. 10, 1996**

[54] **CLIP-ON DISPENSER ASSEMBLY UNIT FOR AIR TREATING MATERIAL**

[75] Inventors: **Stephen V. Dente**, Tenafly; **John M. Paulovich**, Hewitt; **Manhar K. Patel**, Saddle Brook, all of N.J.

[73] Assignee: **Reckitt & Colman Inc.**, Montvale, N.J.

[**] Term: **14 Years**

[21] Appl. No.: **26,921**

[22] Filed: **Aug. 9, 1994**

[52] U.S. Cl. **D23/366**; D3/208; D23/368

[58] **Field of Search** D23/366-369; D3/208, 207; D11/222; 206/446, 445, 303; D8/356, 394; 24/545; D28/82; 239/36, 53, 54; 422/122, 124, 305; D9/454; 220/DIG. 13

[56] **References Cited**

U.S. PATENT DOCUMENTS

168,972	10/1875	Dayton	239/34
D. 275,222	8/1984	Hoyt	D23/369
2,552,207	5/1951	Muchow	239/34
2,555,047	5/1951	Logue	239/58
2,620,228	12/1952	Howard et al.	239/57
4,505,429	3/1985	Mandon	239/56
5,282,571	2/1994	Smith et al.	239/34

FOREIGN PATENT DOCUMENTS

1497580	1/1978	United Kingdom	239/58
---------	--------	----------------------	--------

Primary Examiner—Lisa P. Lichtenstein

Attorney, Agent, or Firm—Frederick H. Rabin; Andrew N. Parfomak

[57] **CLAIM**

The ornamental design for a clip-on dispenser assembly unit for air treating material, as shown and described.

DESCRIPTION

FIG. 1 is a top and side perspective view of the clip on dispenser assembly unit for air treating material showing our new design;

FIG. 2 is a side elevational view thereof;

FIG. 3 is a side elevational view thereof, taken from the section opposite to FIG. 2;

FIG. 4 is a top plan view thereof;

FIG. 5 is a bottom plan view thereof;

FIG. 6 is a side elevational view thereof, the opposite side being a mirror image of that shown;

FIG. 7 is an exploded top and side perspective view corresponding to FIG. 1;

FIG. 8 is a side elevational view of the dispenser portion, shown separately for clarity of illustration, the opposite side being a mirror image of that shown;

FIG. 9 is a side elevational view of the dispenser portion taken from the right side of FIG. 8, shown separately for clarity of illustration, the opposite side being a mirror image of that shown;

FIG. 10 is a top plan view of the dispenser portion, shown separately for clarity of illustration; and,

FIG. 11 is a bottom plan view of the dispenser portion, shown separately for clarity of illustration.

1 Claim, 2 Drawing Sheets

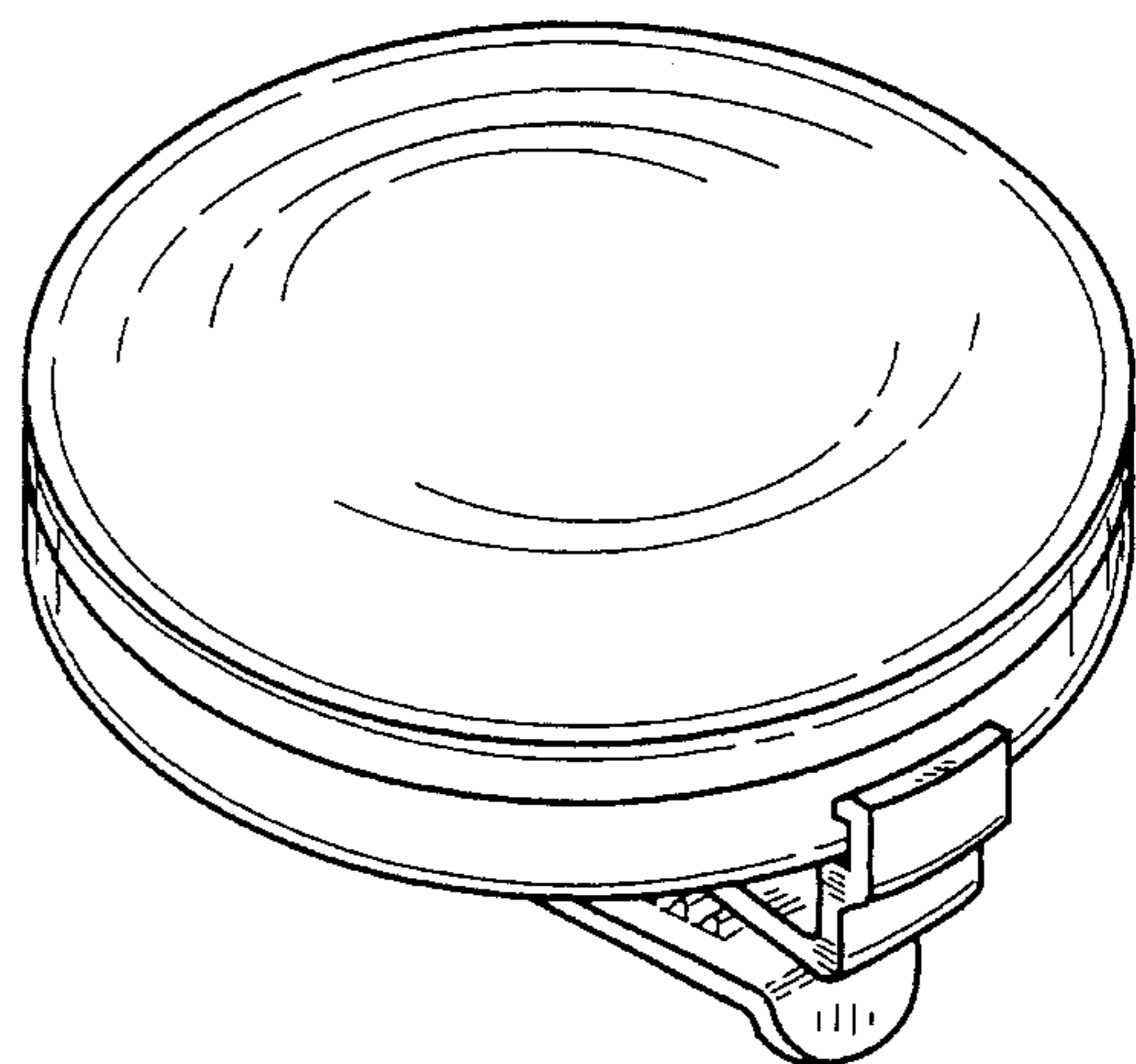
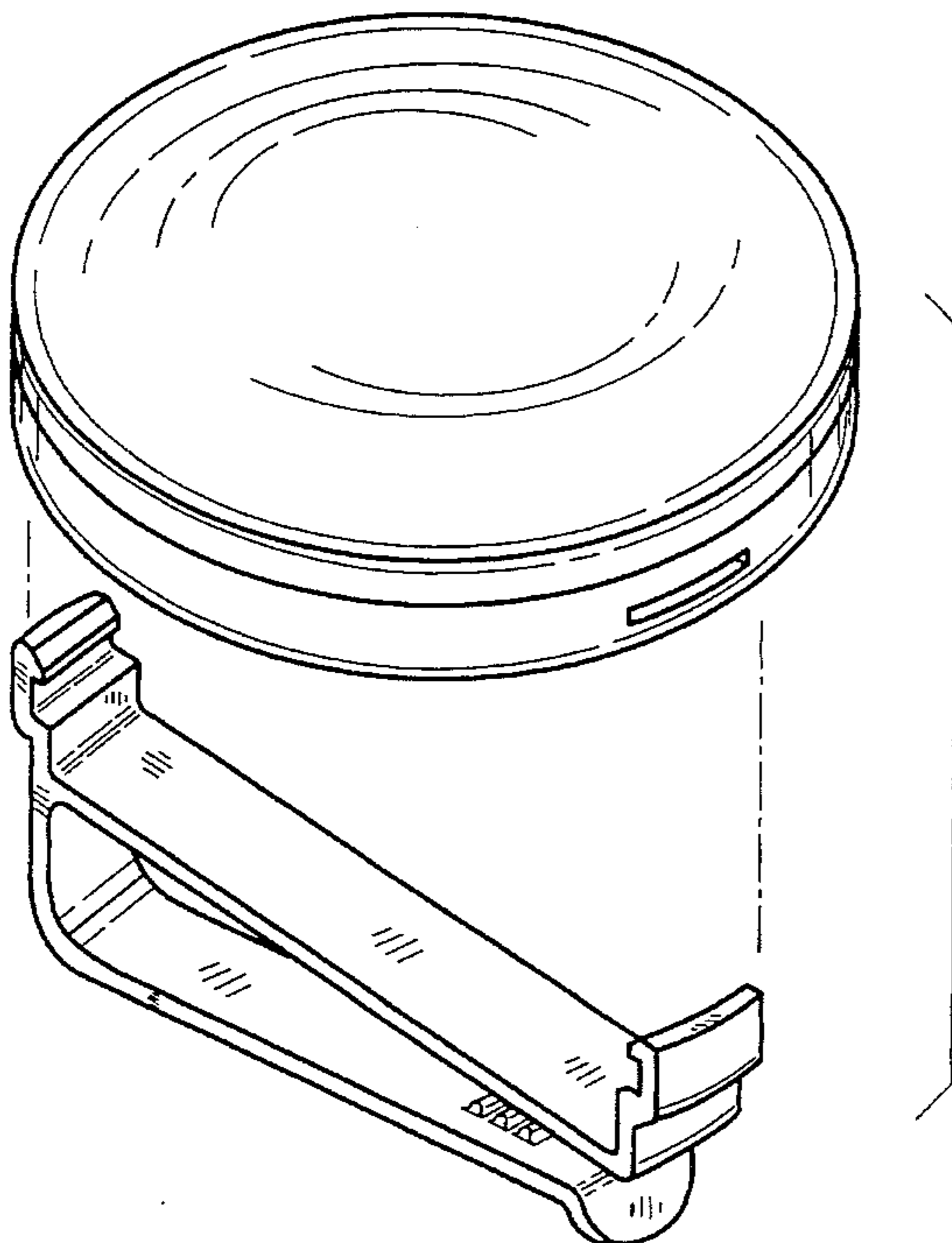


FIG. 1

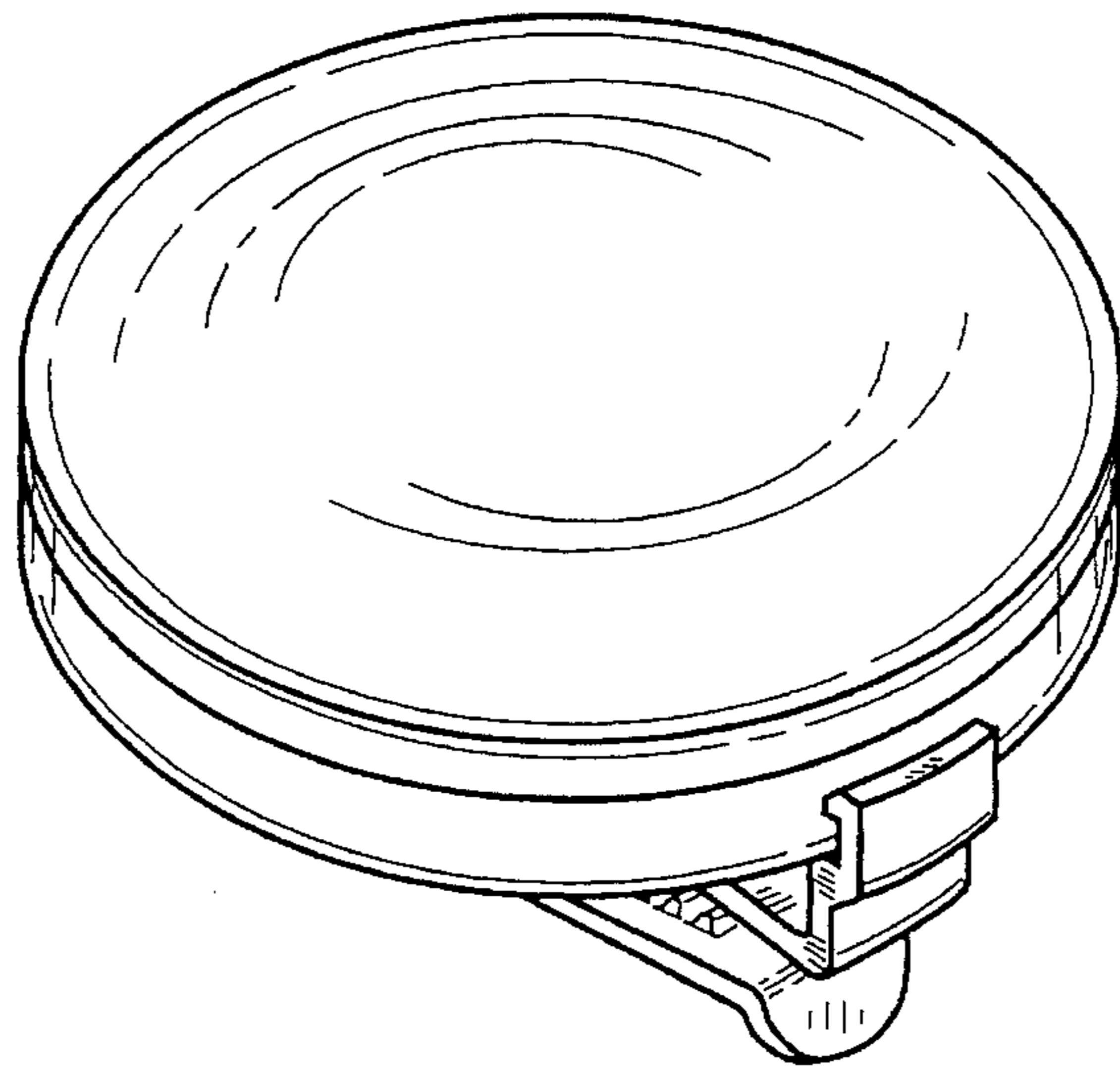


FIG. 2

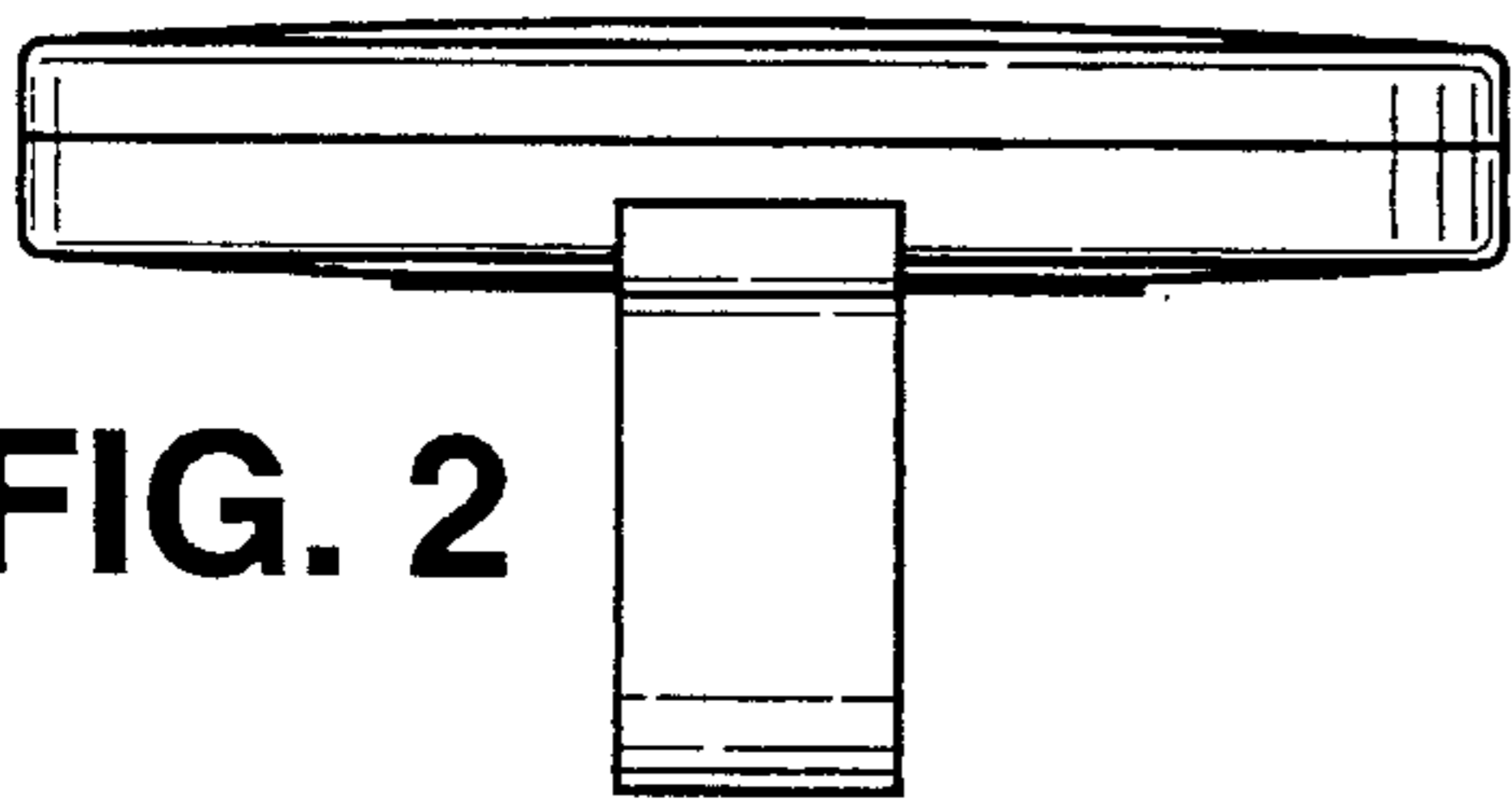


FIG. 3

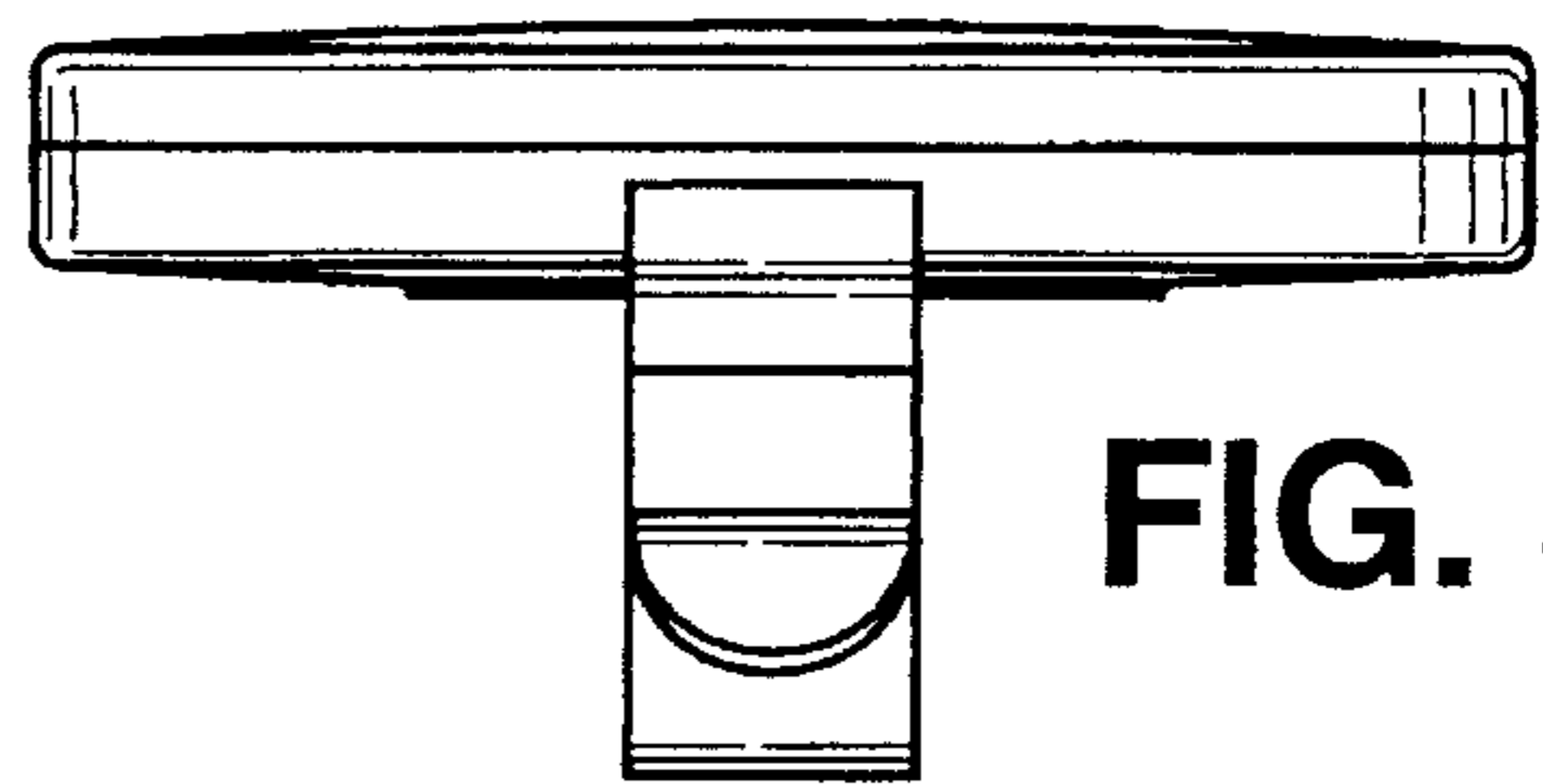


FIG. 4

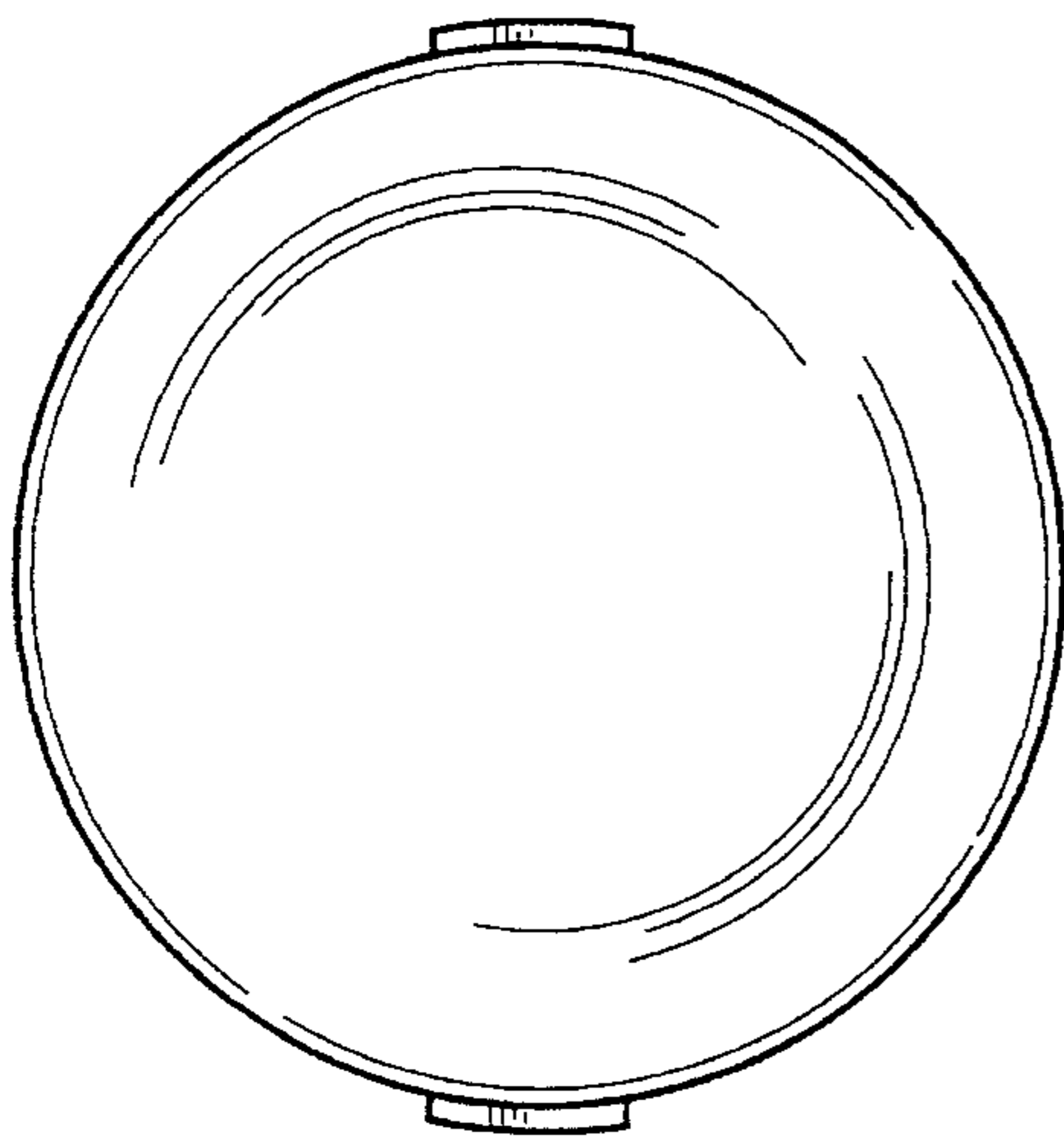


FIG. 5

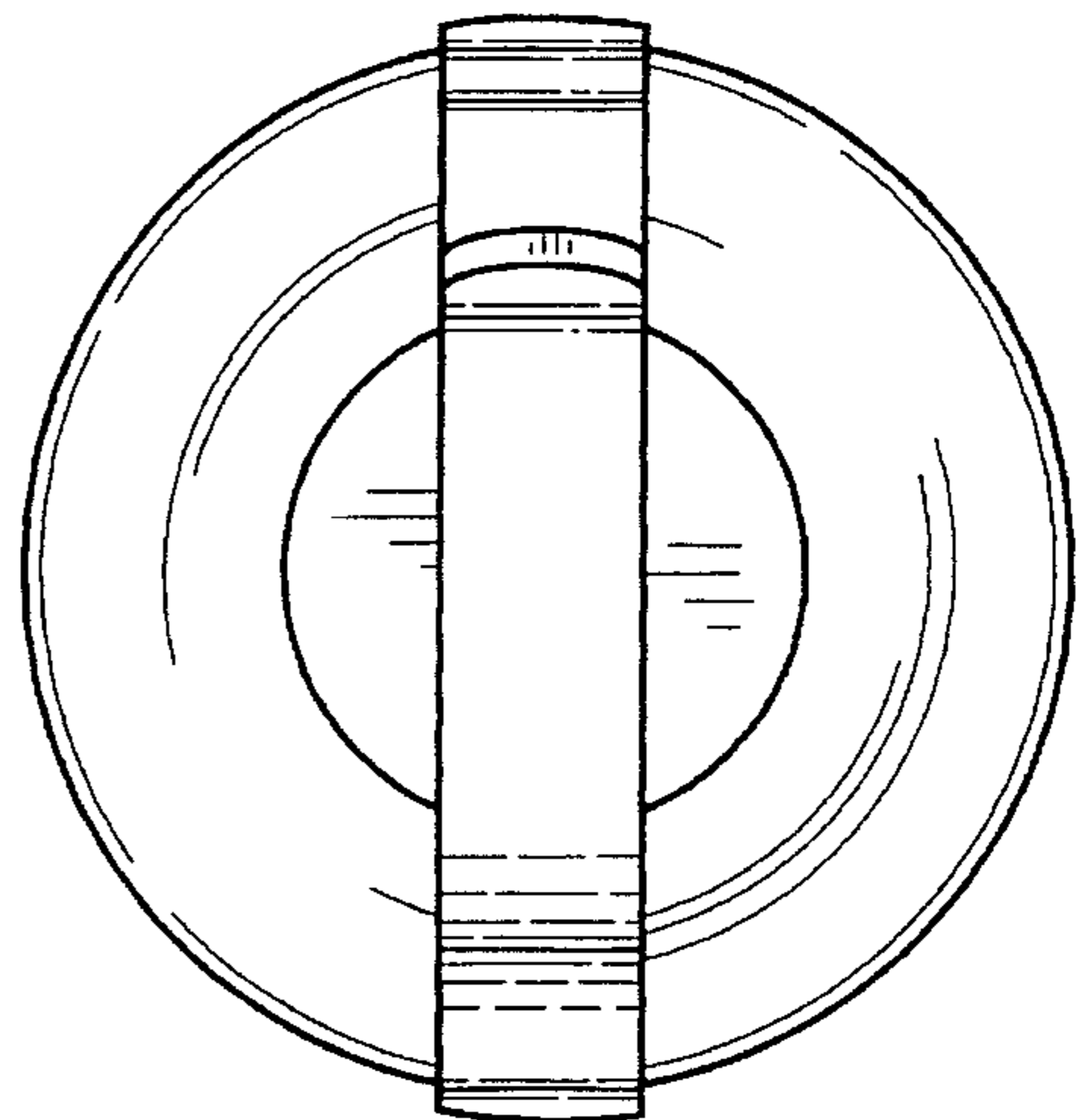


FIG. 6

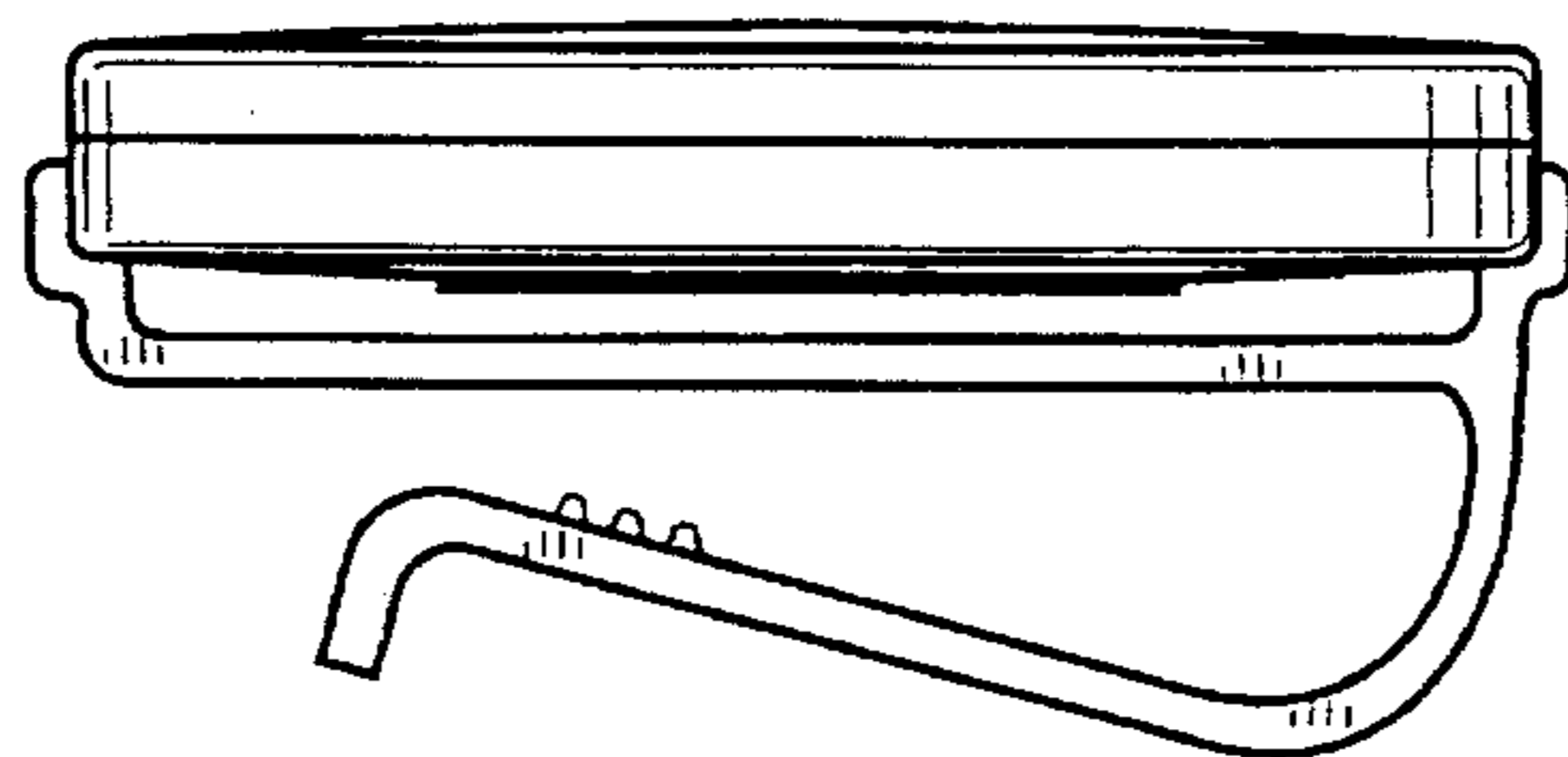


FIG. 7

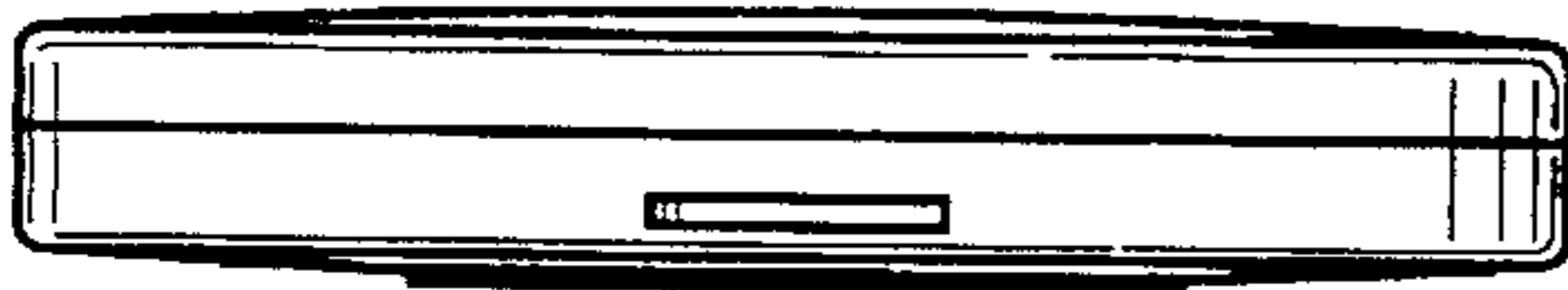
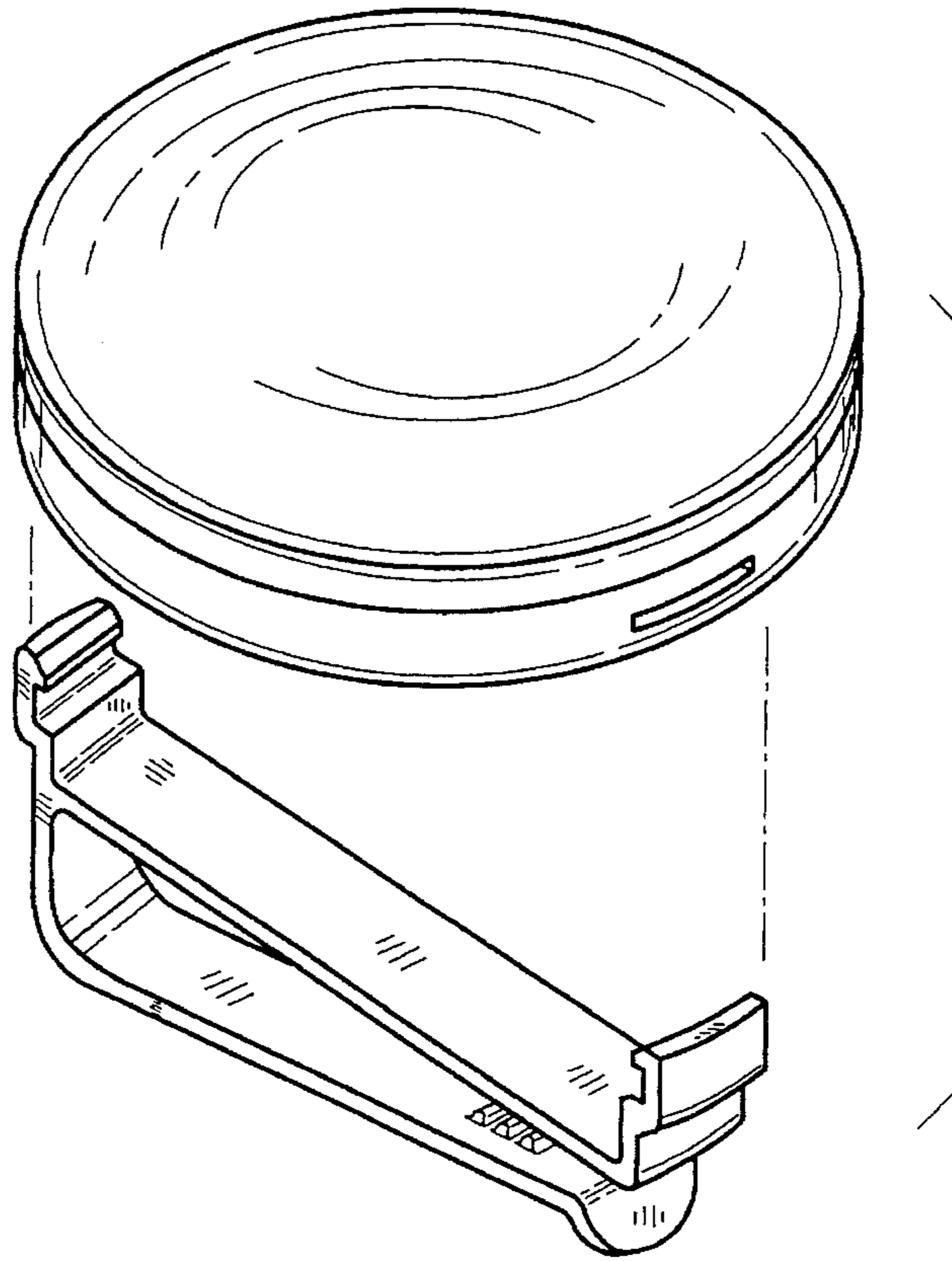


FIG. 8

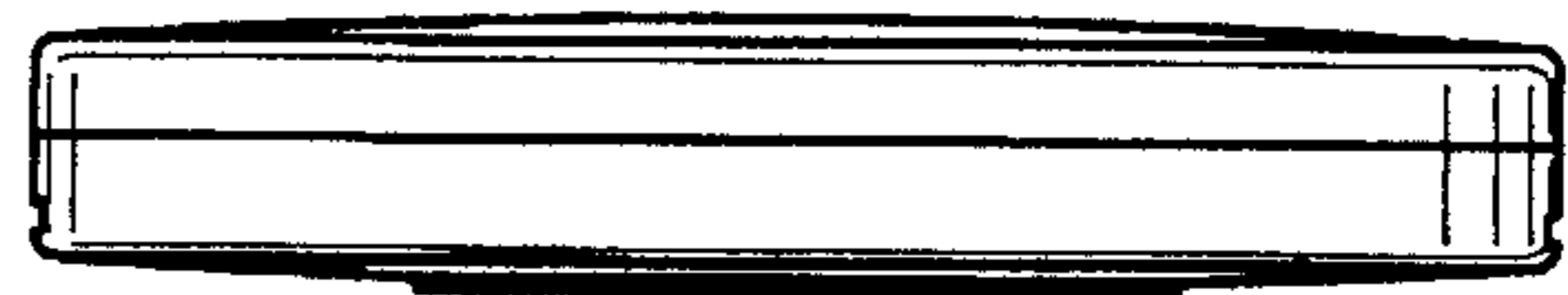


FIG. 9

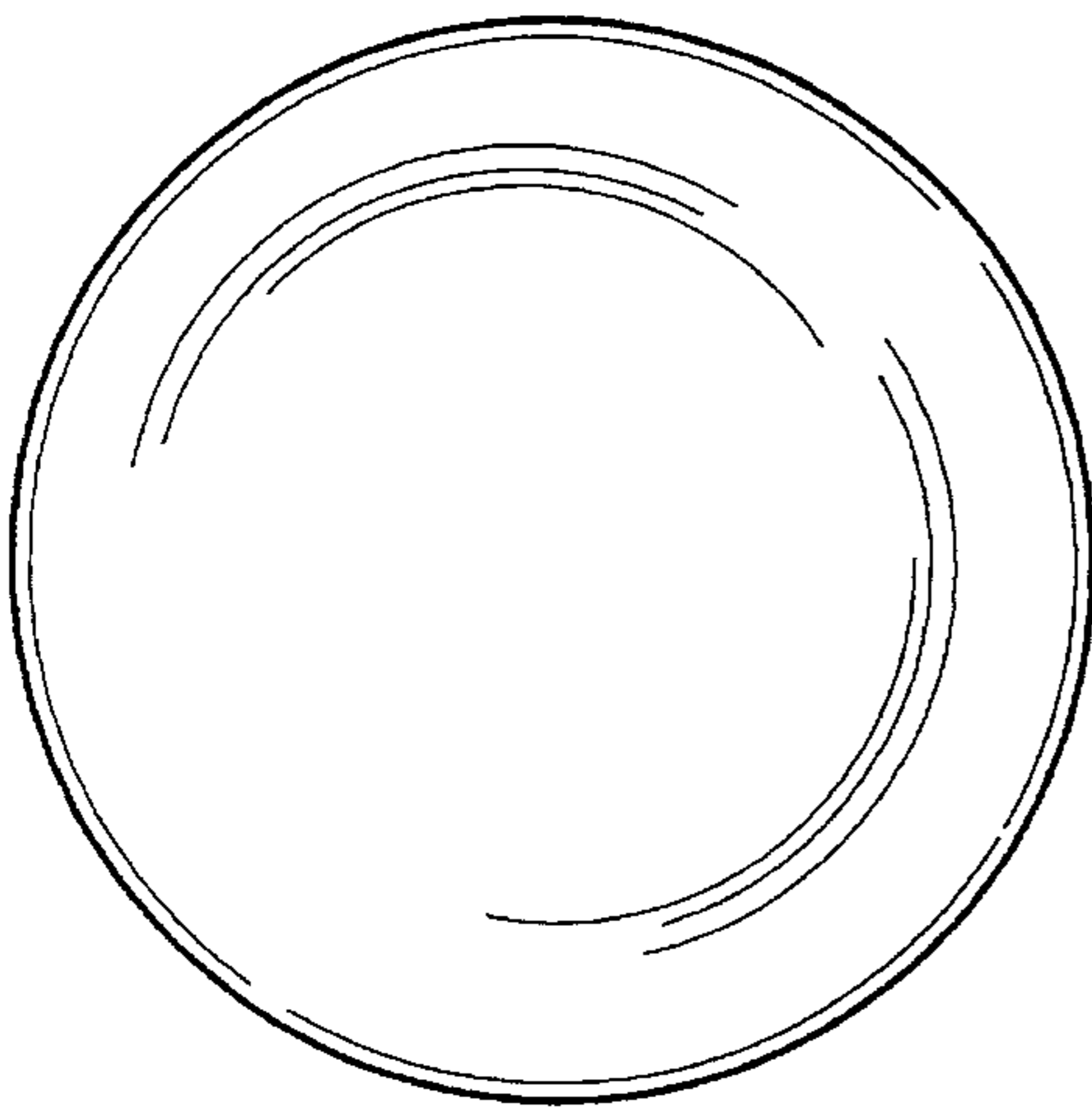


FIG. 10

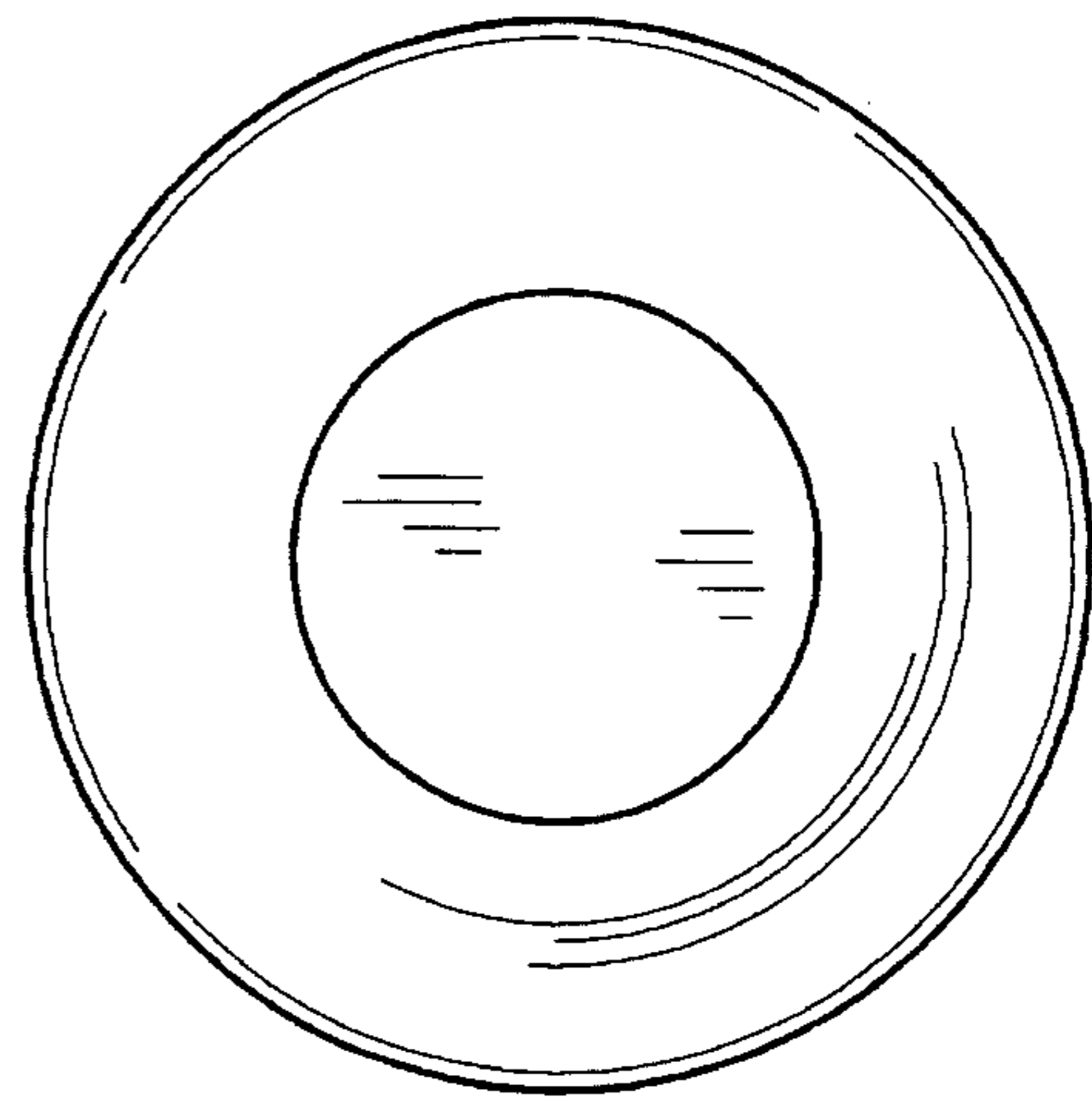


FIG. 11