



US00D373625S

United States Patent [19]

Pereira

[11] Patent Number: **Des. 373,625**

[45] Date of Patent: ****Sep. 10, 1996**

[54] AIR PURIFYING BAFFLE

[76] Inventor: **Manuel G. Pereira**, 900 Dufferin Street, Toronto, Ontario, Canada, M6H 4A9

[**] Term: **14 Years**

[21] Appl. No.: **39,067**

[22] Filed: **May 19, 1995**

[52] U.S. Cl. **D23/364; D23/355; D23/386**

[58] Field of Search D23/364, 386, D23/355; D25/138, 141, 142, 143, 152, 153, 156; 210/493.5, 493.1, 521; 55/440, 444; 52/473, 793.11, 784.14, 793.1

[56] References Cited

U.S. PATENT DOCUMENTS

D. 194,410	1/1963	Bishop	D25/156
4,061,478	12/1977	Hartwick	55/440
4,334,897	6/1982	Brady et al.	55/440

FOREIGN PATENT DOCUMENTS

2642803	4/1978	Germany	55/440
2197121	8/1987	Japan	55/444

Primary Examiner—Lisa P. Lichtenstein

Attorney, Agent, or Firm—D. Doak Home; Jeffrey T. Imai; Arne I. Fors

[57] CLAIM

The ornamental design for an air purifying baffle, as shown.

DESCRIPTION

FIG. 1 is a top perspective view of an air purifying baffle showing my new design;

FIG. 2 is a top view thereof;

FIG. 3 is a right side view thereof;

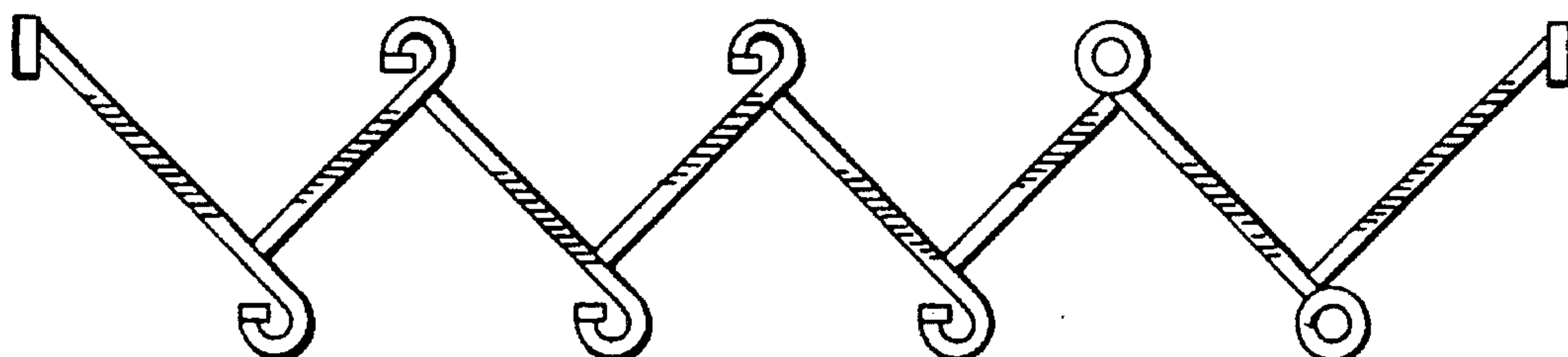
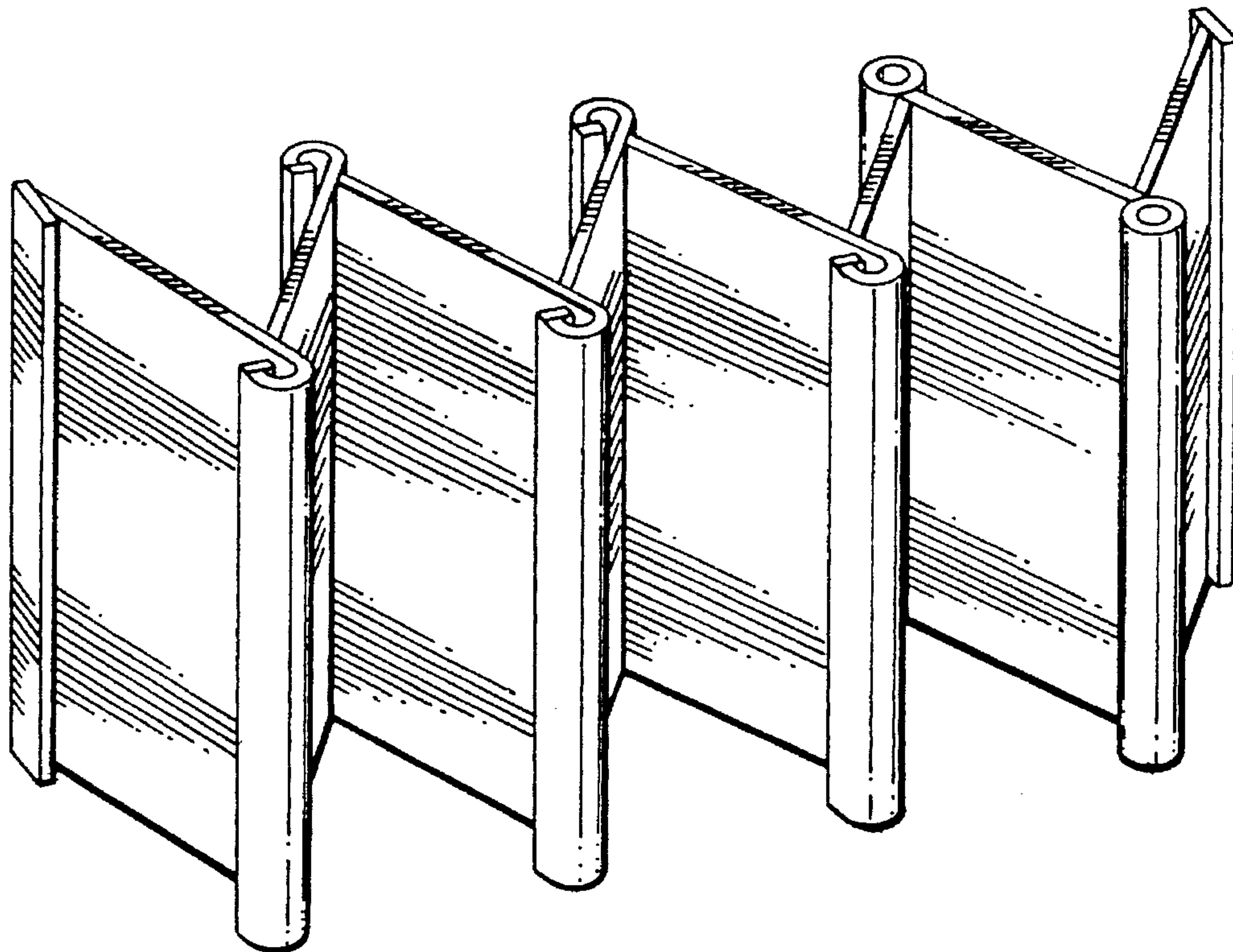
FIG. 4 is a left side view thereof;

FIG. 5 is a bottom plan view thereof;

FIG. 6 is a rear view thereof; and,

FIG. 7 is a front view thereof.

1 Claim, 2 Drawing Sheets



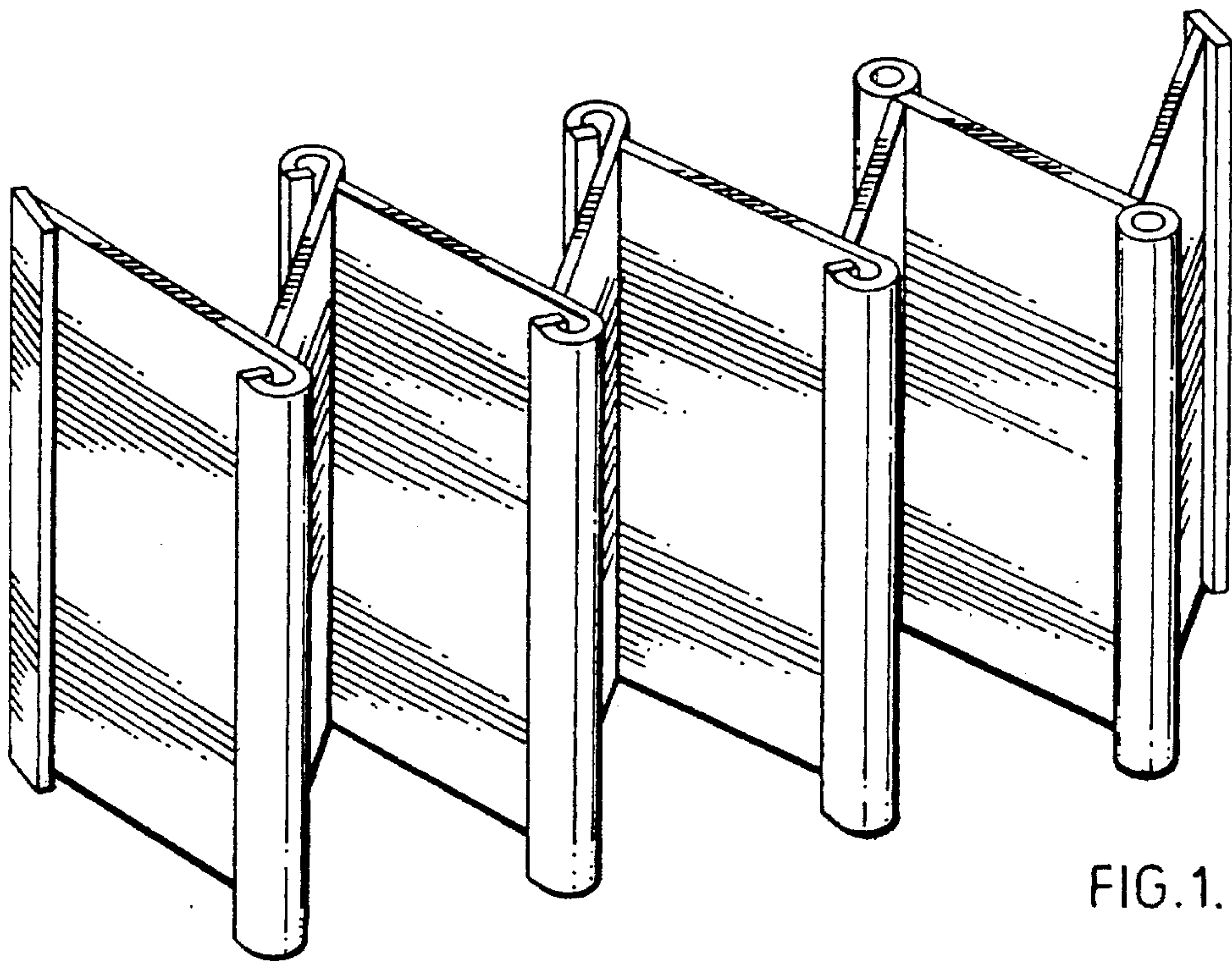


FIG. 1.

FIG. 2.

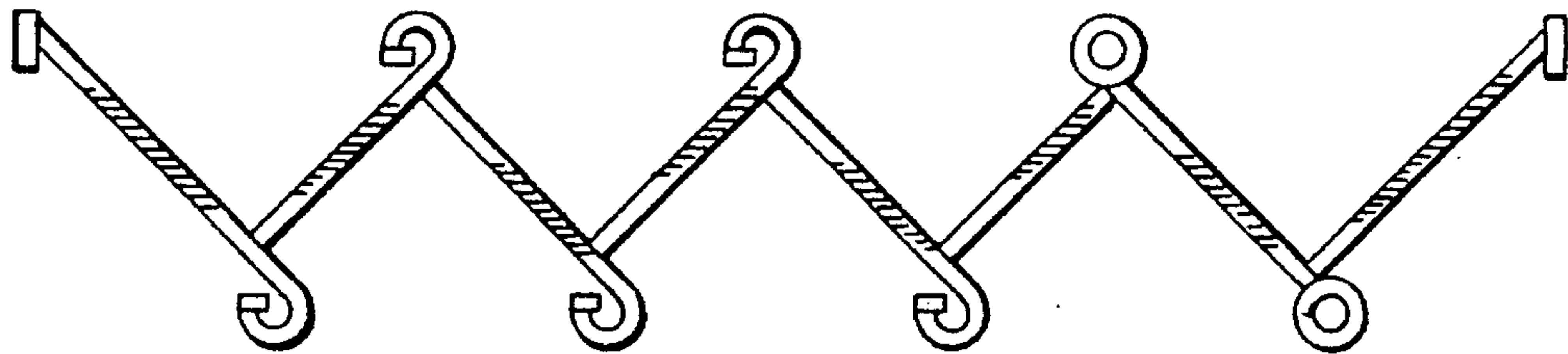


FIG. 3.

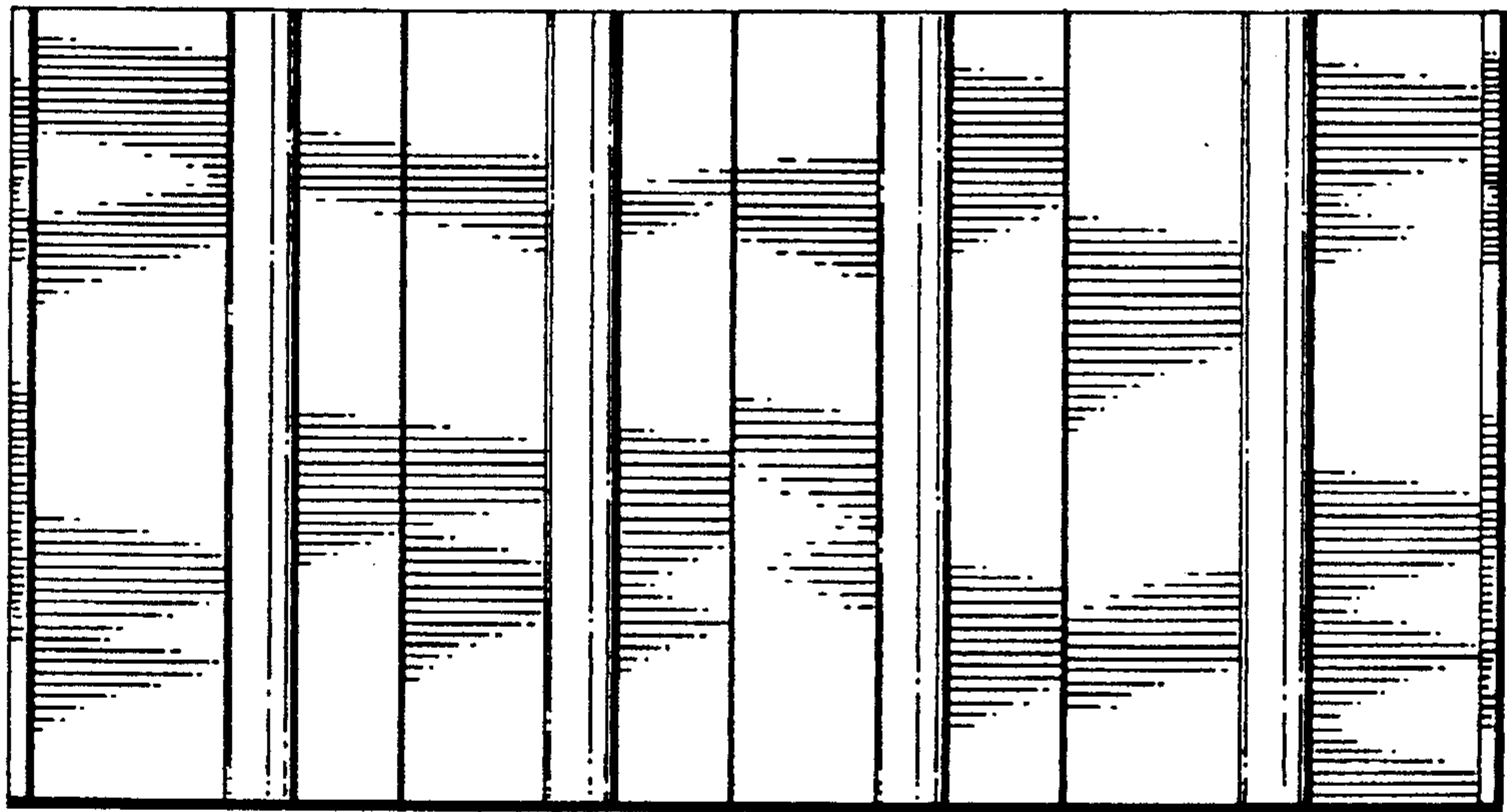




FIG. 4.

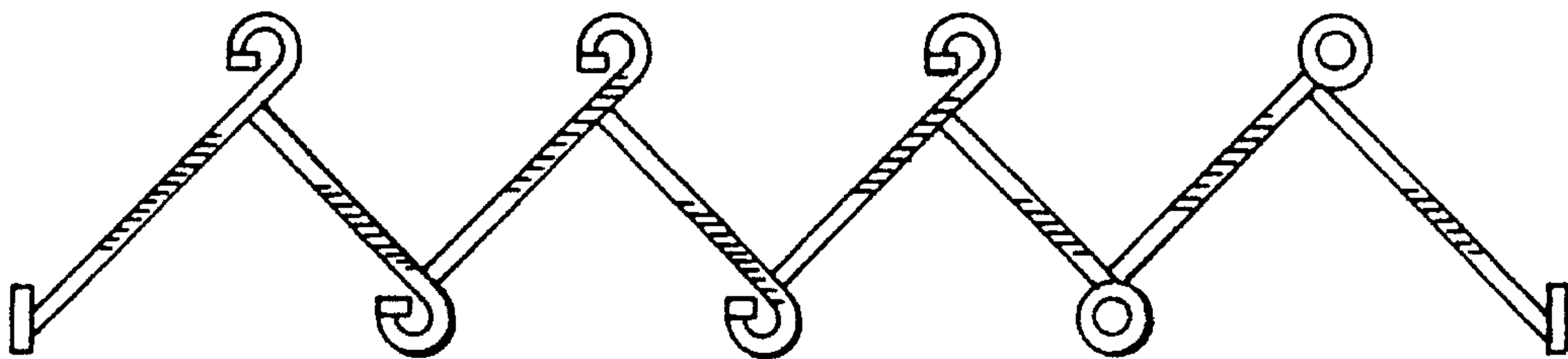


FIG. 5.

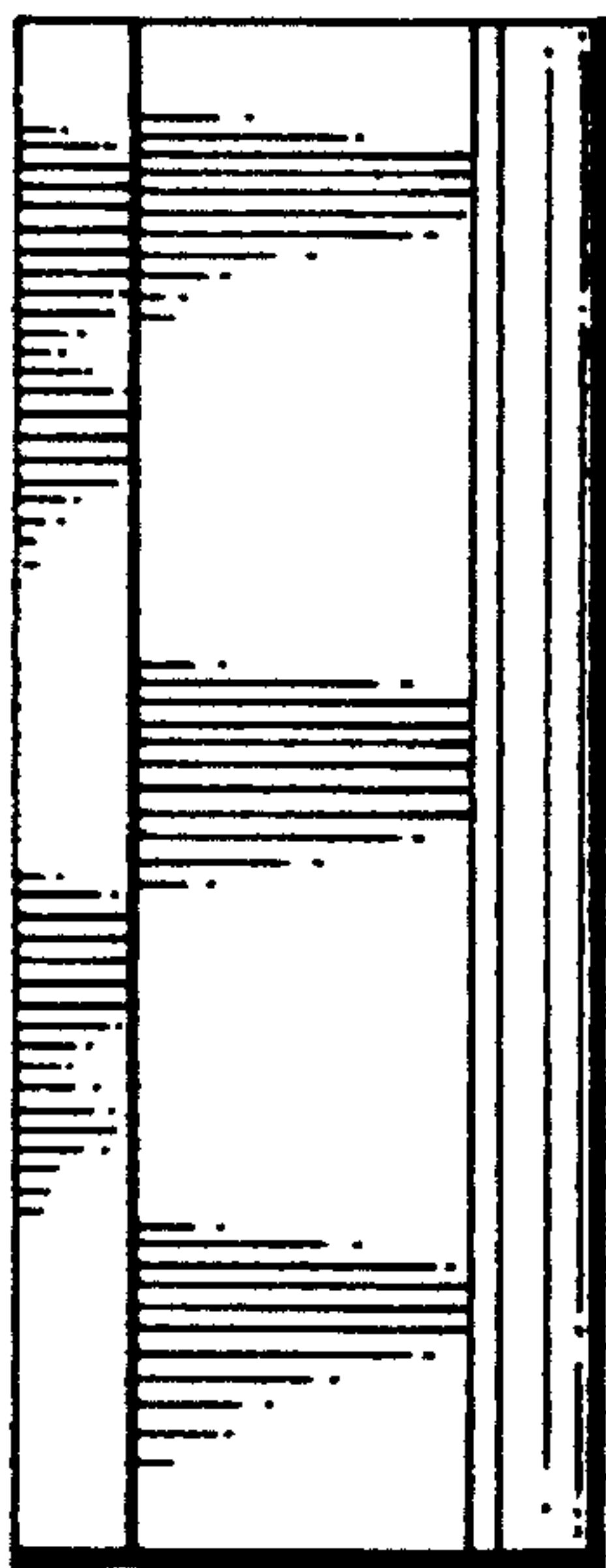


FIG. 6.

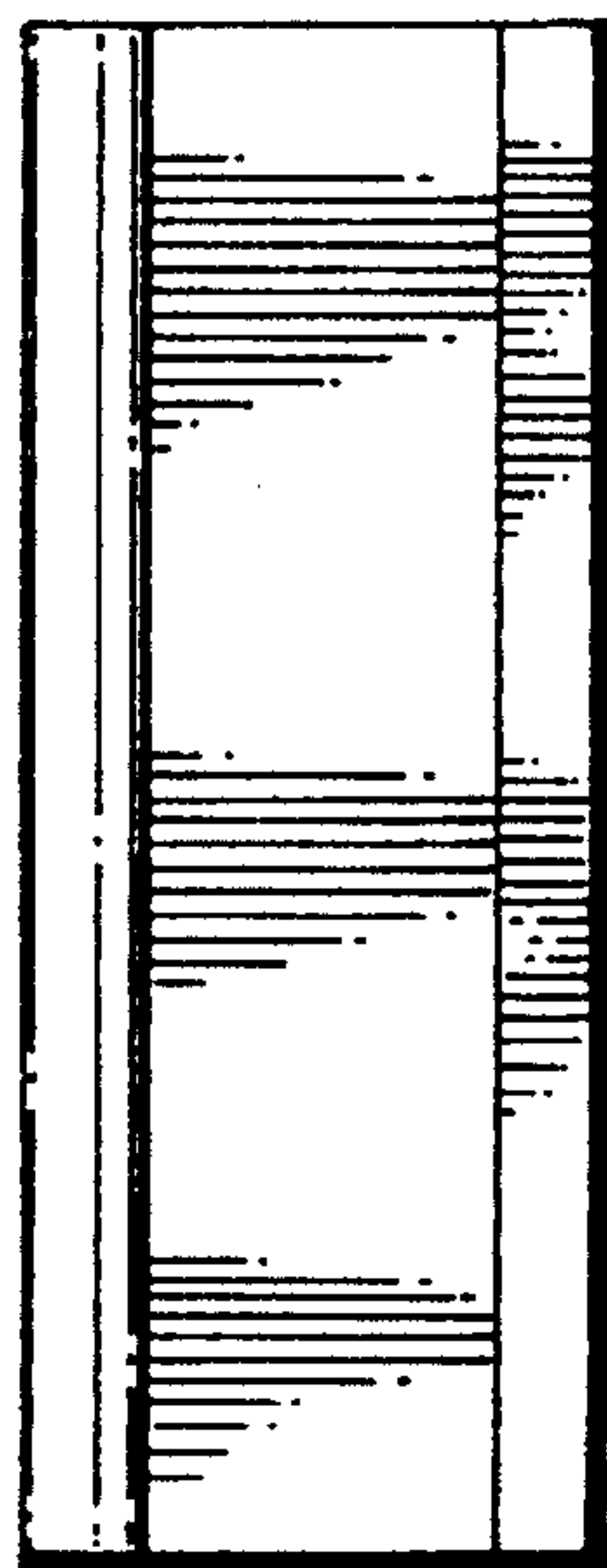


FIG. 7.