



US00D373624S

United States Patent [19]

[11] Patent Number: **Des. 373,624**

Obitts

[45] Date of Patent: ****Sep. 10, 1996**

[54] TUB BAR

[75] Inventor: **Shane Obitts**, Elyria, Ohio

[73] Assignee: **Invacare Corporation**, Elyria, Ohio

[**] Term: **14 Years**

[21] Appl. No.: **40,025**

[22] Filed: **Jun. 8, 1995**

[52] U.S. Cl. **D23/304; D23/303**

[58] Field of Search **D23/303-308; 4/217, 242, 246.1, 253, 661, 576.1, 577.1; D8/300, 307, 305, 317**

| | | | |
|-----------|---------|-------------------|---------|
| 2,931,051 | 4/1960 | Sparling . | |
| 2,940,085 | 6/1960 | Hussey . | |
| 3,414,909 | 12/1968 | Provi et al. | 4/577.1 |
| 3,414,910 | 12/1968 | Provi et al. . | |
| 3,448,468 | 6/1969 | Murcott . | |
| 3,968,524 | 7/1976 | Zentman . | |
| 4,417,361 | 11/1983 | Smith . | |
| 4,887,323 | 12/1989 | DiVito et al. . | |

Primary Examiner—Louis S. Zarfaz
Assistant Examiner—Gregory Andoll
Attorney, Agent, or Firm—Fay, Sharpe, Beall, Fagan, Minnich & McKee

[57] CLAIM

The ornamental design for a tub bar, as shown.

DESCRIPTION

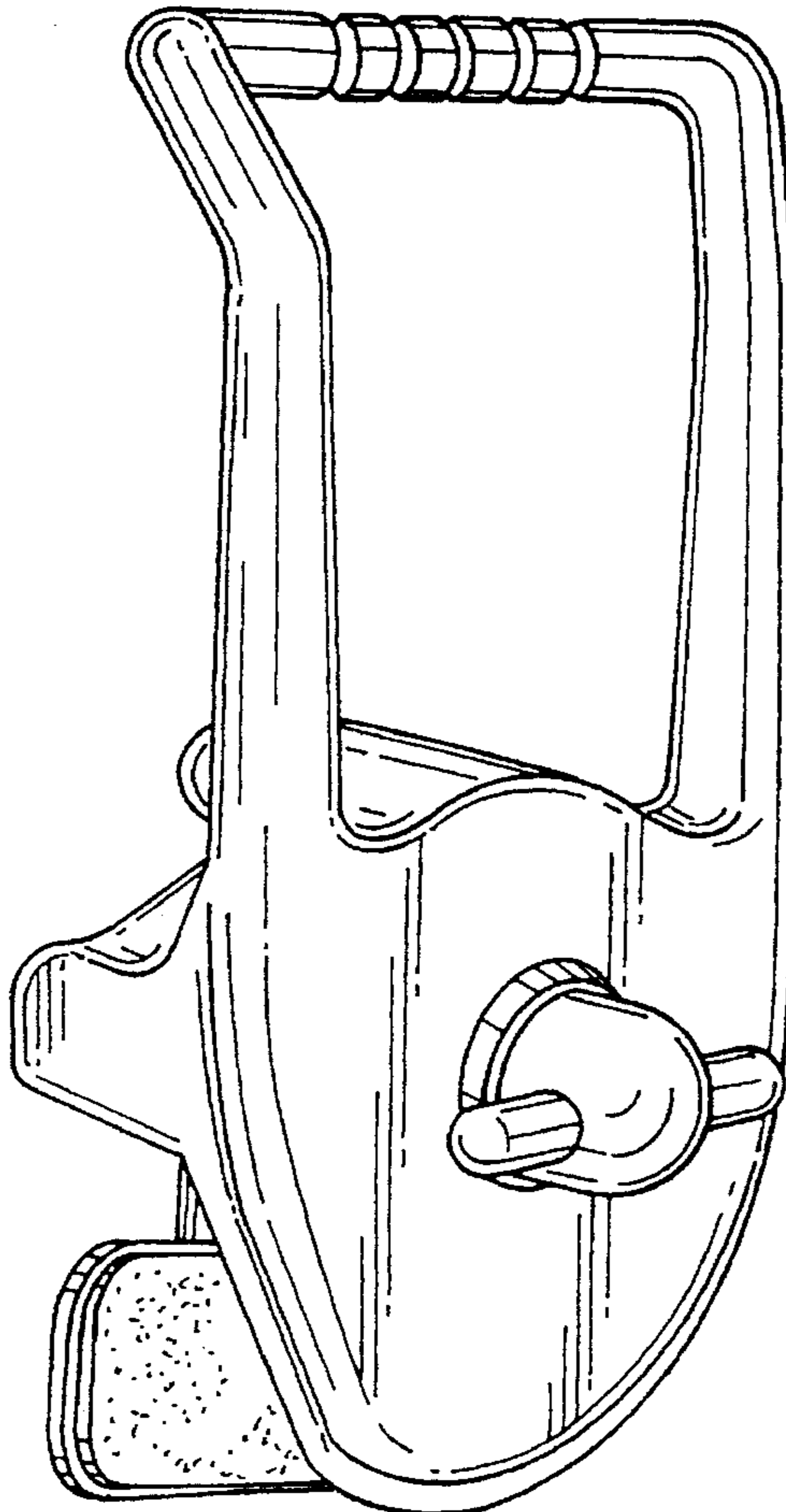
FIG. 1 is a perspective view of a tub bar showing my new design;
FIG. 2 is a front elevational view thereof;
FIG. 3 is a right side elevational view thereof, the left side elevational view being a mirror image thereof;
FIG. 4 is a rear elevational view thereof;
FIG. 5 is a top plan view thereof; and,
FIG. 6 is a bottom plan view thereof.

1 Claim, 2 Drawing Sheets

[56] References Cited

U.S. PATENT DOCUMENTS

| | | | |
|------------|---------|-----------------|---------|
| D. 188,175 | 6/1960 | Craig . | |
| D. 189,906 | 3/1961 | Best et al. . | |
| D. 209,040 | 10/1967 | Aleks et al. . | |
| D. 286,068 | 10/1986 | Landsberger . | |
| D. 316,139 | 4/1991 | DiVito et al. . | |
| 2,045,815 | 6/1936 | Weisjahn | 4/577.1 |
| 2,513,619 | 7/1950 | Bennett . | |
| 2,642,581 | 6/1953 | Loe . | |
| 2,756,439 | 7/1956 | Bollen | 4/577.1 |



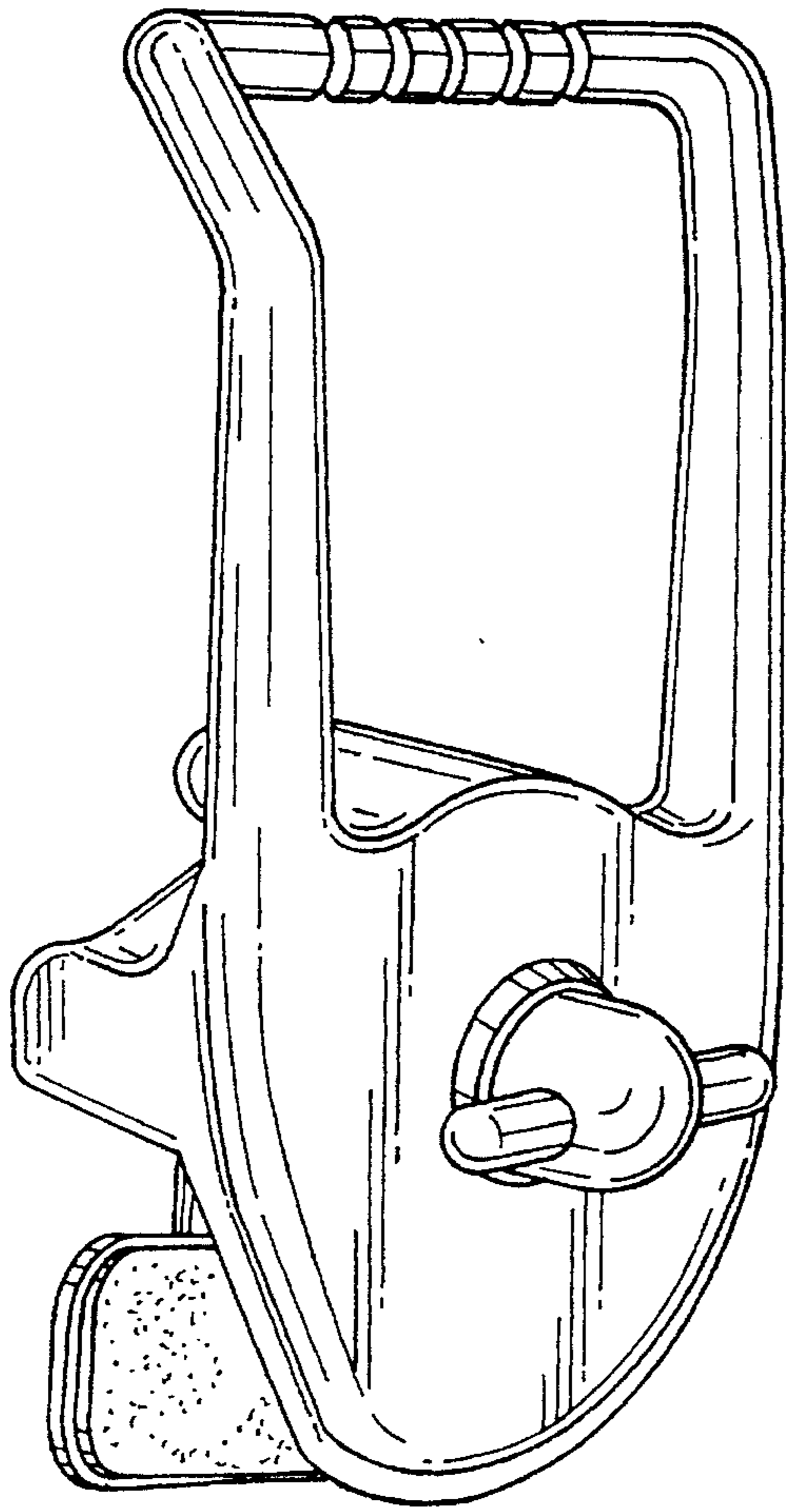
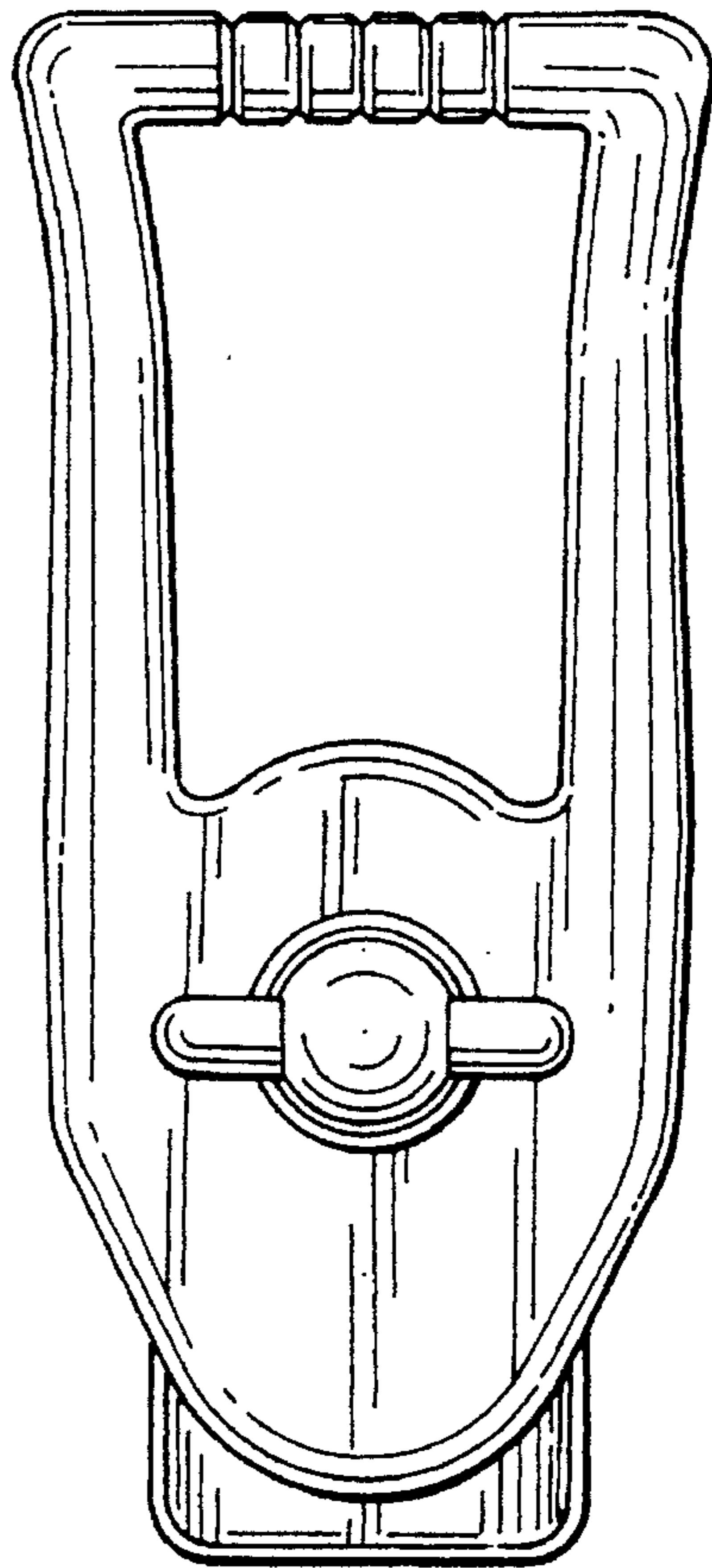


FIG. 1

FIG. 2



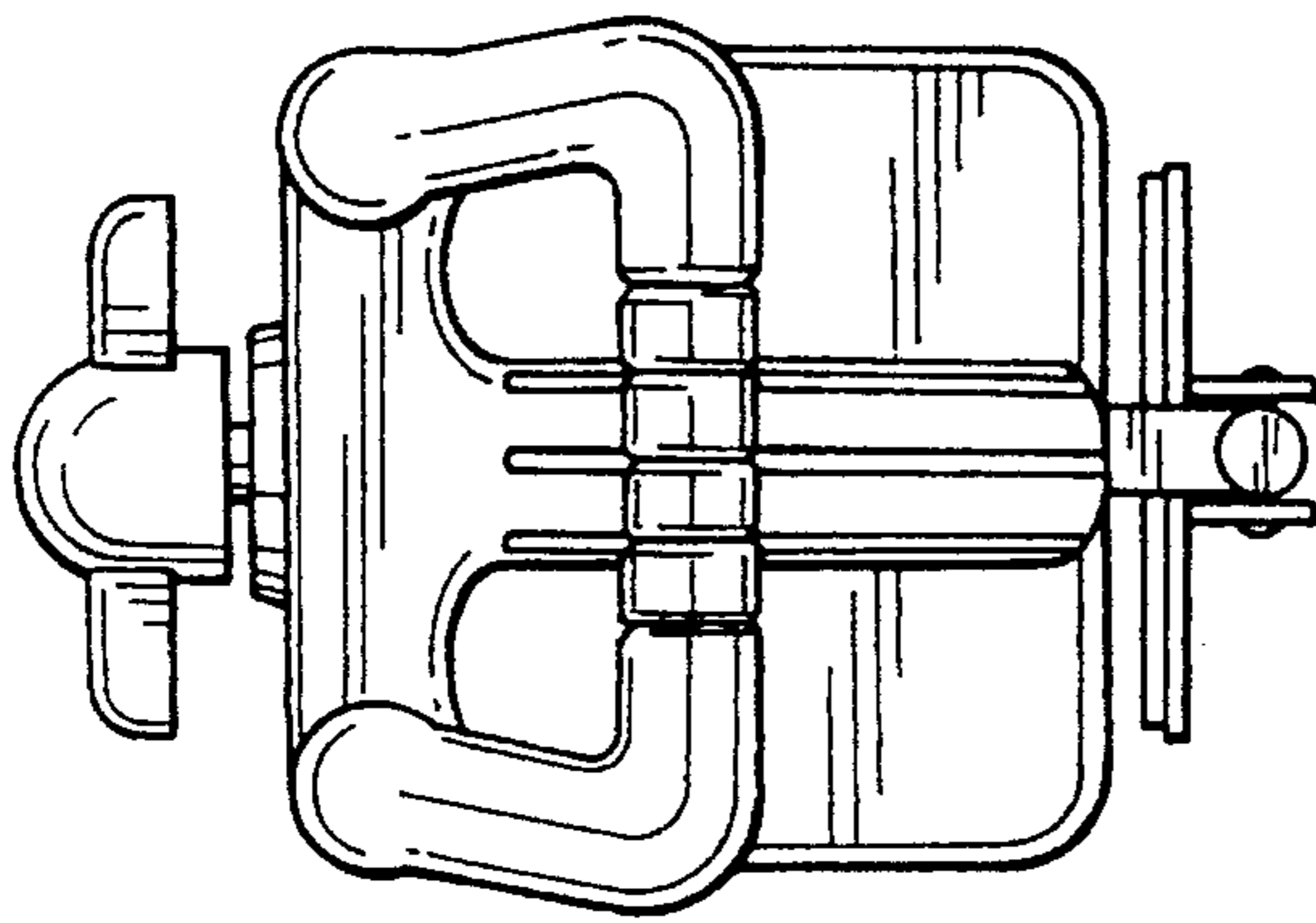


FIG. 5

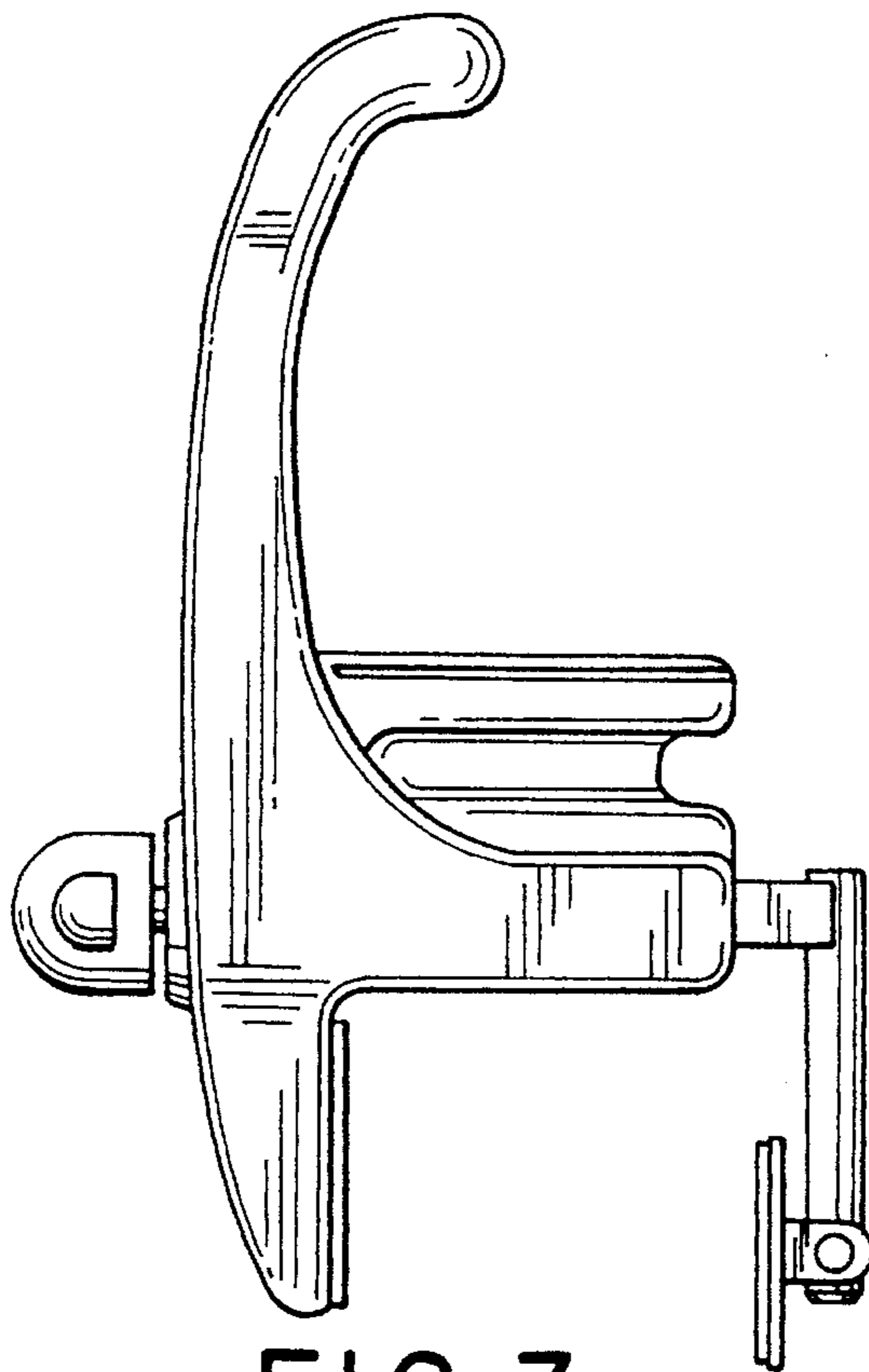


FIG. 3

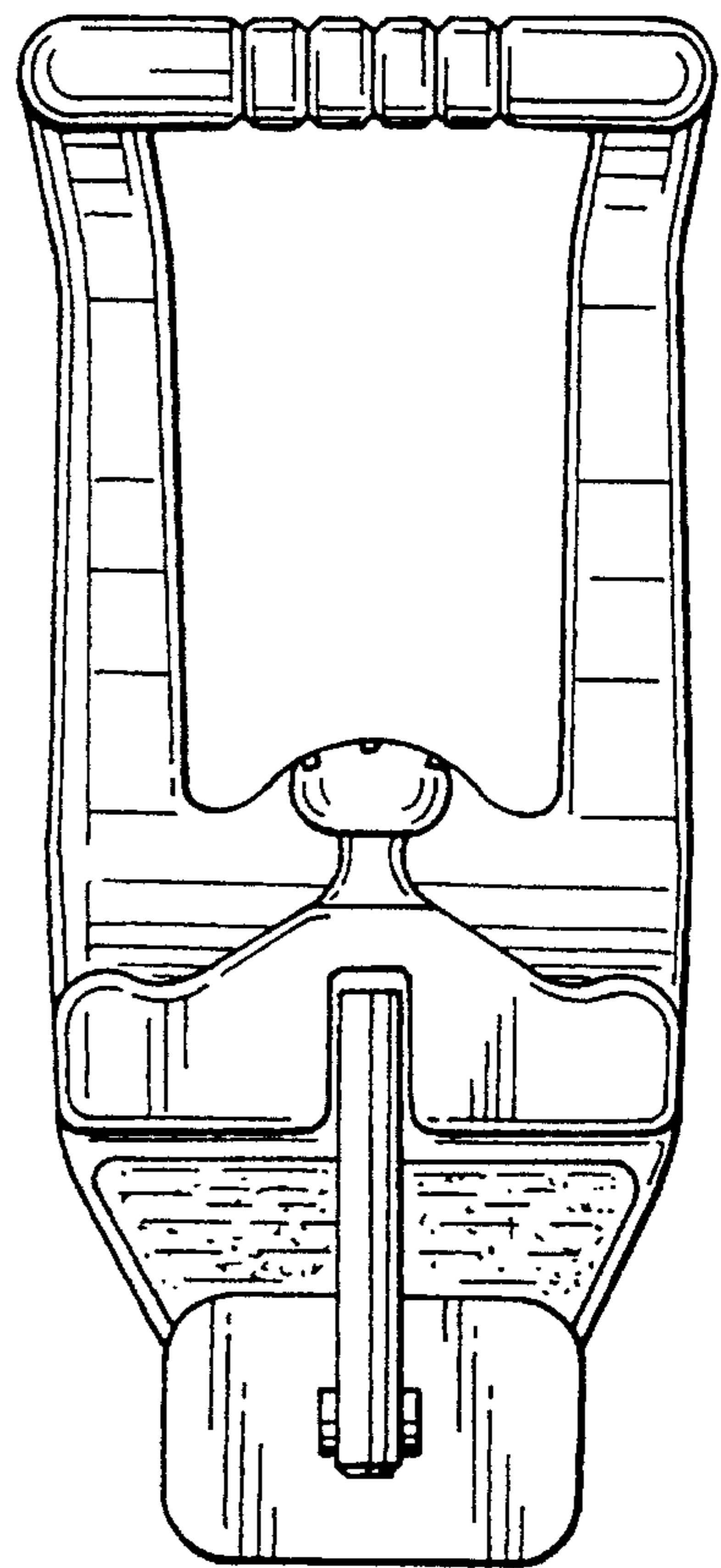


FIG. 4

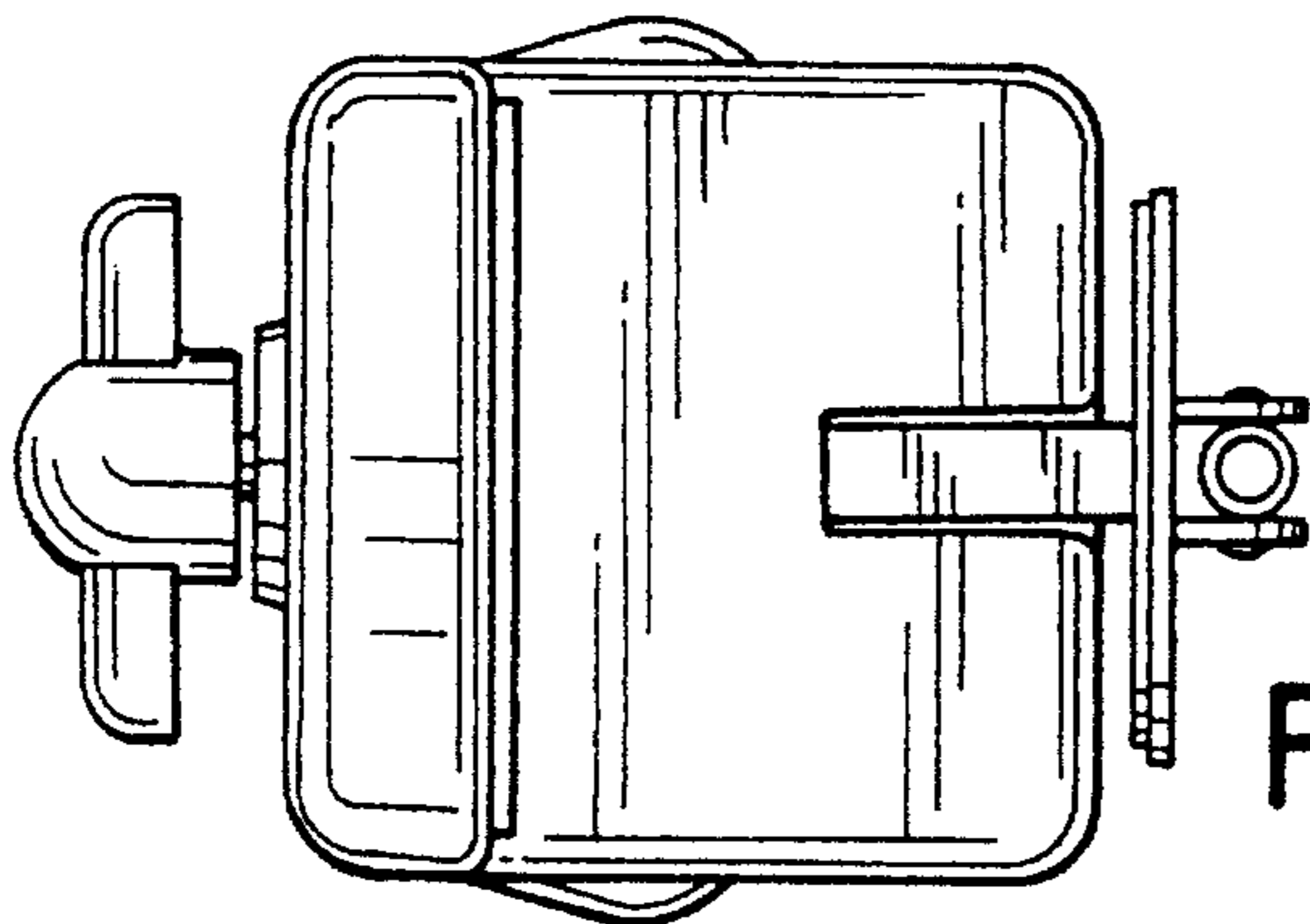


FIG. 6