



US00D373623S

United States Patent [19]

Mathison

[11] Patent Number: **Des. 373,623**

[45] Date of Patent: ****Sep. 10, 1996**

[54] **MECHANICAL TEST PLUG FOR OVERFLOW AND WASTE DRAINS**

[75] Inventor: **Allen D. Mathison**, Richfield, Minn.

[73] Assignee: **Cherne Industries Incorporated**, Minneapolis, Minn.

[**] Term: **14 Years**

[21] Appl. No.: **34,016**

[22] Filed: **Jan. 25, 1995**

[52] U.S. Cl. **D23/260; D23/259**

[58] Field of Search **D23/259-262, D23/263, 249, 235; D8/387, 398; 138/89, 178; 4/295; D24/26**

[56] **References Cited**

U.S. PATENT DOCUMENTS

D. 155,997	11/1949	Gries	D8/398
D. 242,118	11/1976	Ono	D8/387
D. 274,979	8/1984	Hill	D8/398
D. 302,110	7/1989	Gonzalez	D8/398
2,245,887	6/1941	Wikander	4/295
3,027,569	4/1962	Lantz et al.	4/295
3,151,845	10/1964	Leuze	4/295
3,509,918	5/1970	Muzinich	138/178
3,550,636	12/1970	Hearne et al.	138/89
4,493,344	1/1985	Mathison et al.	138/89
4,683,597	8/1987	Taylor, Jr. et al.	4/295

FOREIGN PATENT DOCUMENTS

366261	2/1932	United Kingdom	138/89
373944	6/1932	United Kingdom	138/89
2147079	5/1985	United Kingdom	138/89

Primary Examiner—Louis S. Zarfes
Assistant Examiner—Gregory Andoll
Attorney, Agent, or Firm—Anthony G. Eggink

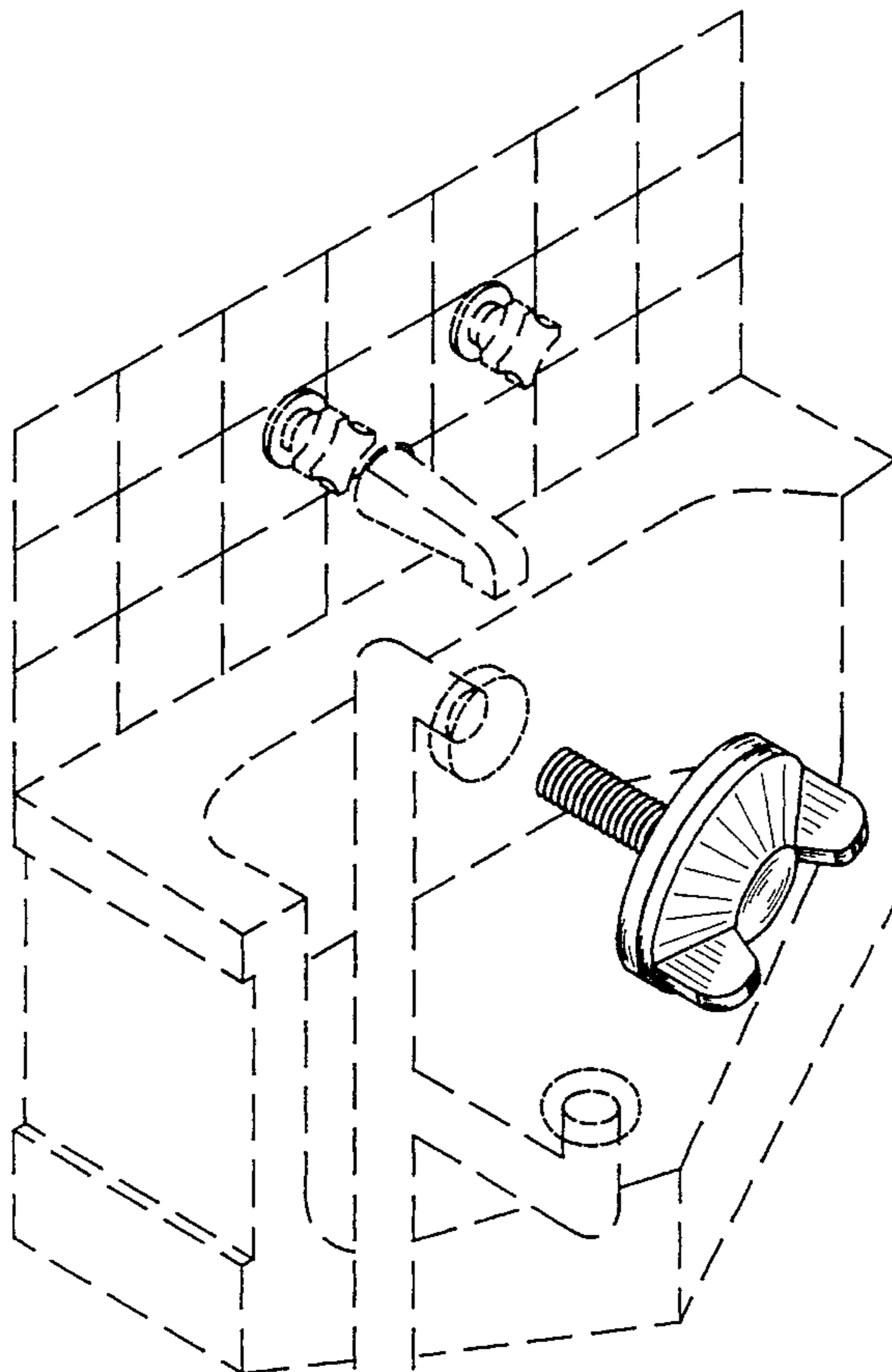
[57] **CLAIM**

The ornamental design for a mechanical test plug for overflow and waste drains, as shown and described.

DESCRIPTION

FIG. 1 is a front view of a mechanical test plug for overflow and waste drains, showing my new design; the back view being a mirror image thereof;
FIG. 2 is a top view thereof;
FIG. 3 is a side view thereof; the opposite side view being a mirror image thereof;
FIG. 4 is a bottom view thereof;
FIG. 5 is a perspective view thereof and taken from the top and front thereof; and,
FIG. 6 is a perspective view showing the mechanical test plug for overflow and waste drains with respect to the overflow and waste drains of a tub; the dotted lines showing the tub are environmental only and do not form a part of the invention.

1 Claim, 4 Drawing Sheets



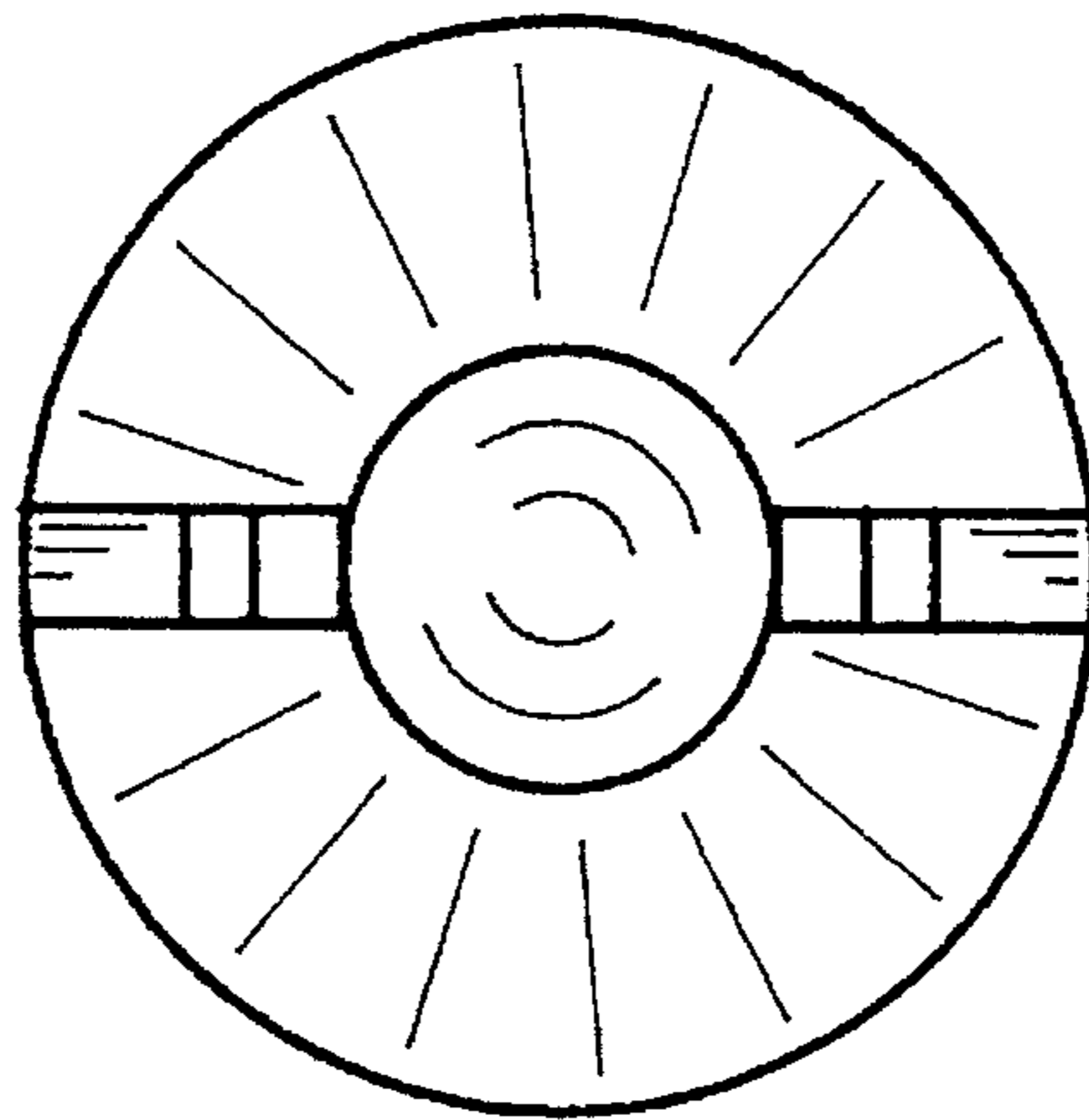


FIG. 2

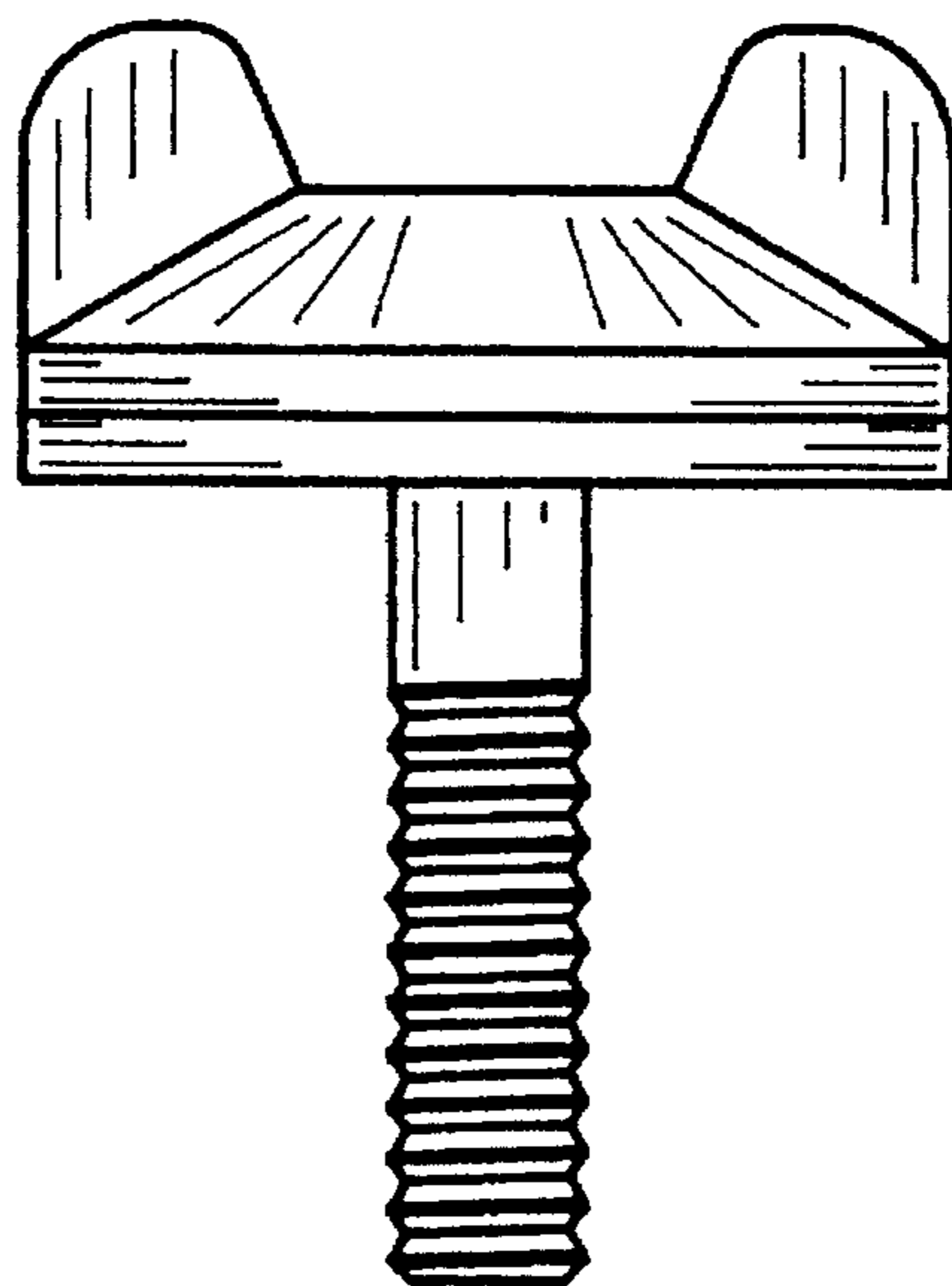


FIG. 1

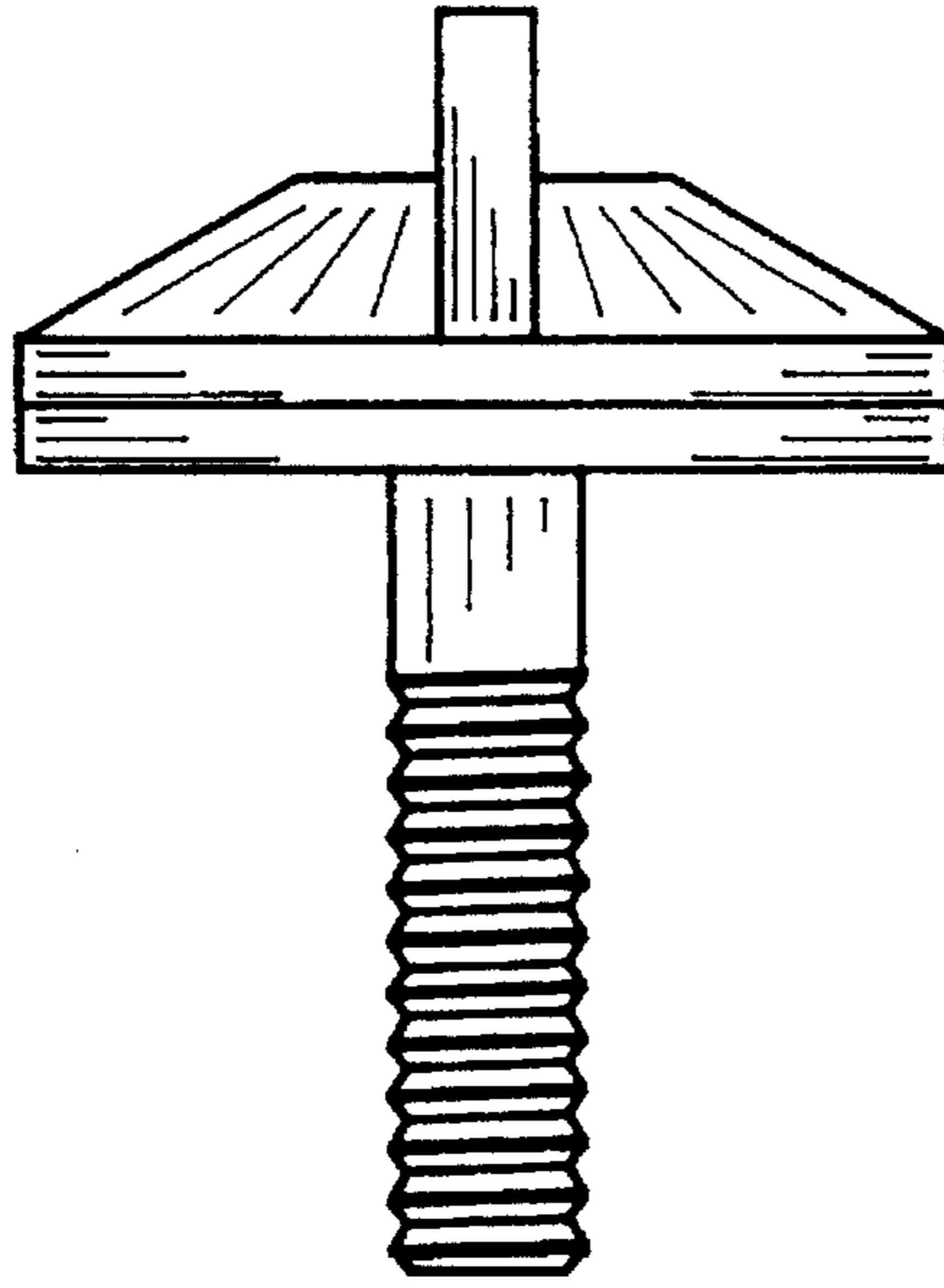


FIG. 3

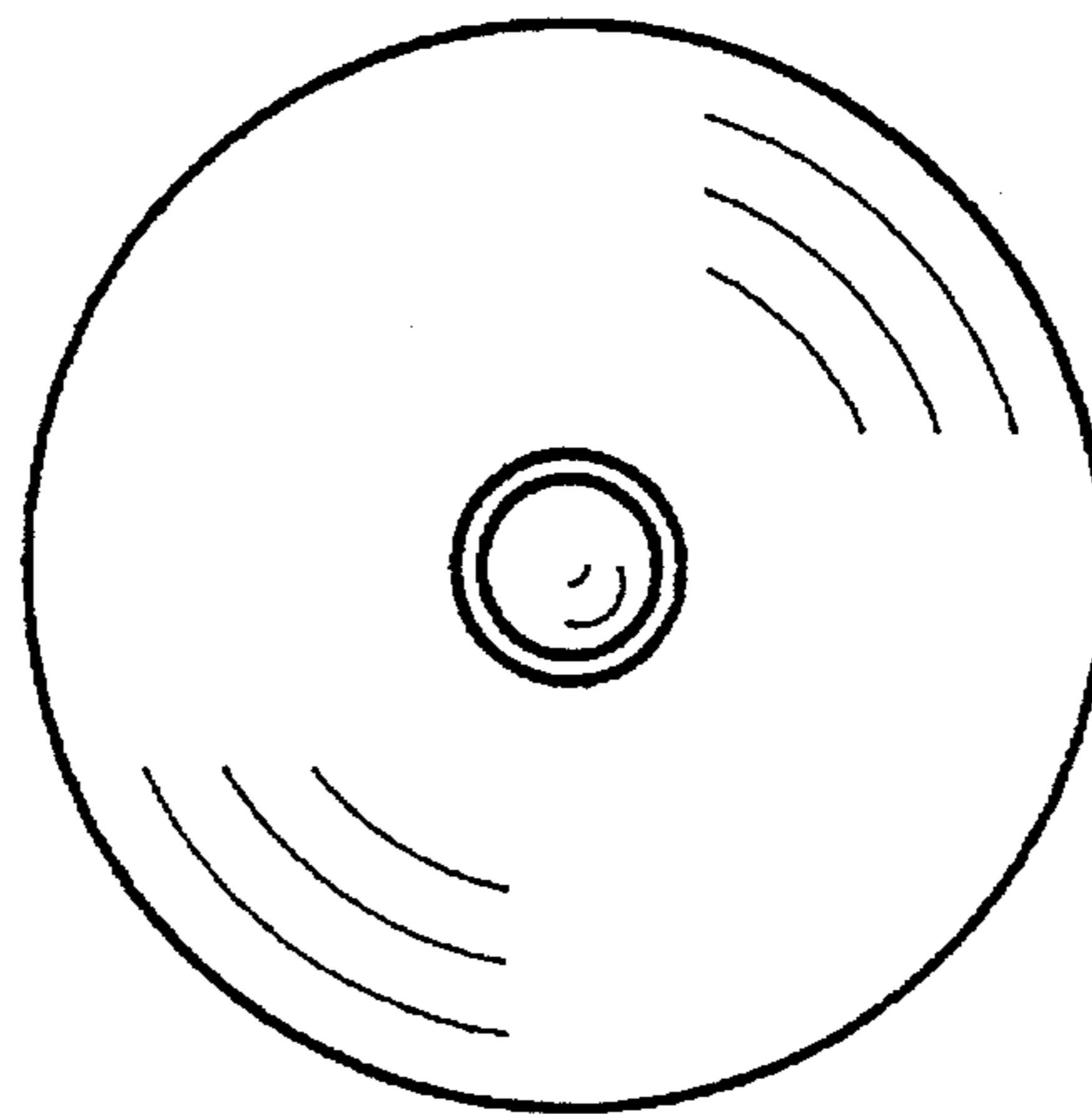


FIG. 4

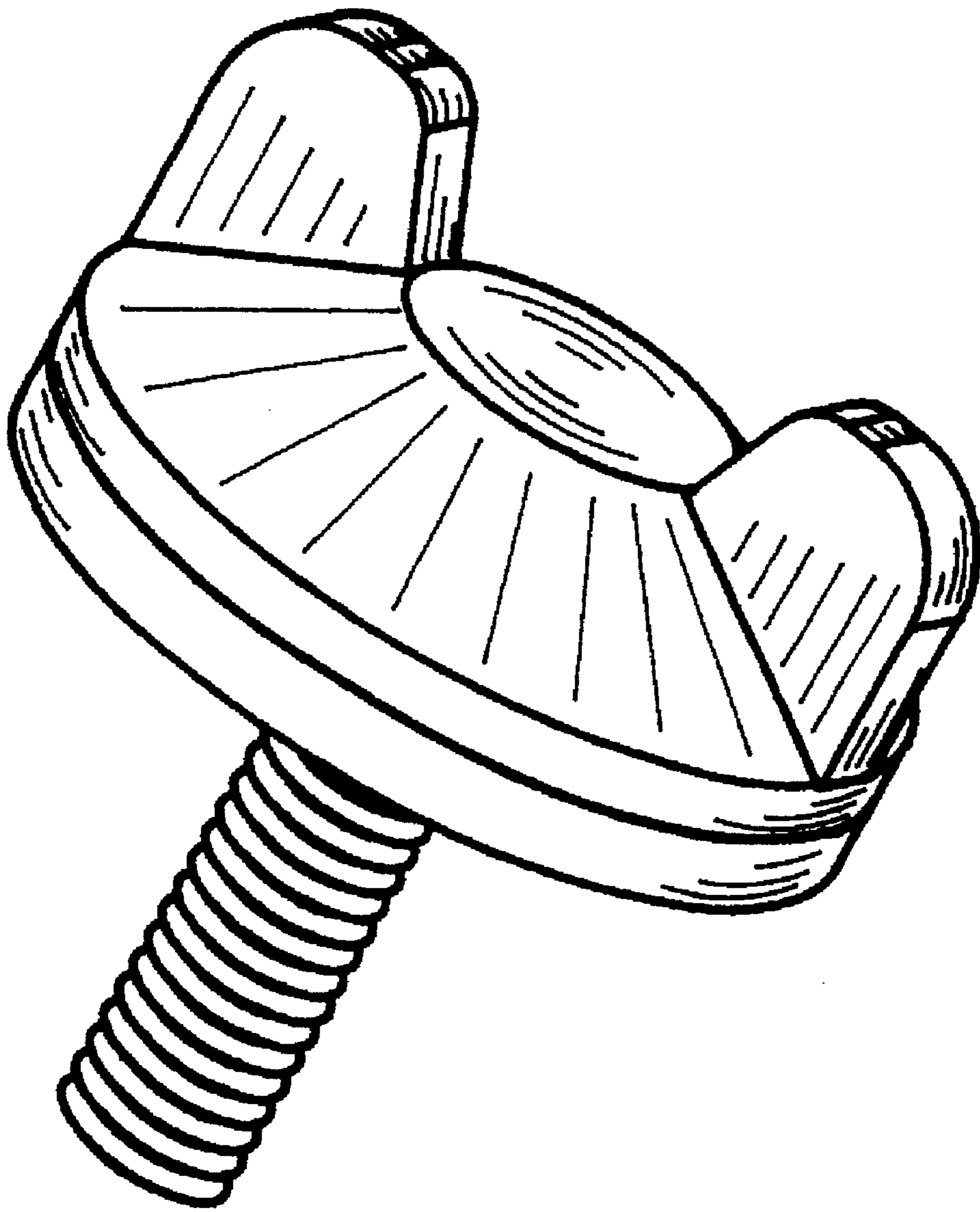


FIG. 5

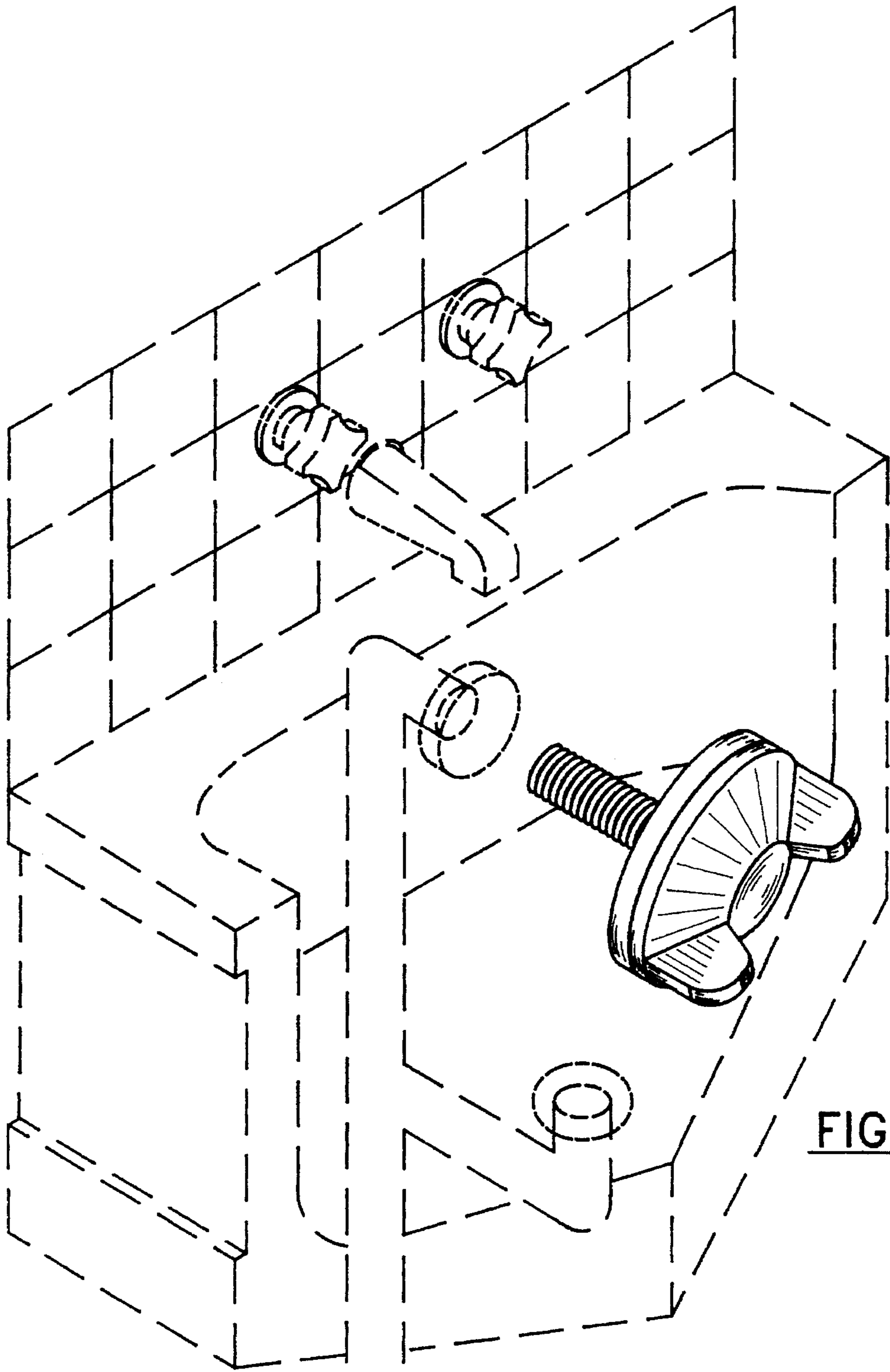


FIG. 6