



US00D373619S

United States Patent [19]

Doughty et al.

[11] Patent Number: **Des. 373,619**

[45] Date of Patent: ****Sep. 10, 1996**

[54] FAUCET SET

[75] Inventors: **Frederic C. Doughty**, S. Pasadena;
Darren M. Mark, Castaic, both of Calif.

[73] Assignee: **Emhart Inc.**, Newark, Del.

[**] Term: **14 Years**

[21] Appl. No.: **44,339**

[22] Filed: **Sep. 22, 1995**

[52] U.S. Cl. **D23/242**

[58] Field of Search D23/238-243,
D23/250-257; 4/675-678; 137/801

D. 326,901	6/1992	Yost .	
D. 329,688	9/1992	Yost .	
D. 349,755	8/1994	Altman .	
D. 349,757	8/1994	Altman .	
D. 356,631	3/1995	Kolada .	
D. 360,016	7/1995	Hsieh	D23/241

Primary Examiner—Stella Reid
Assistant Examiner—Eric Watterson
Attorney, Agent, or Firm—J. Bruce Hoofnagle

[57] CLAIM

The ornamental design for faucet set, as shown and described.

DESCRIPTION

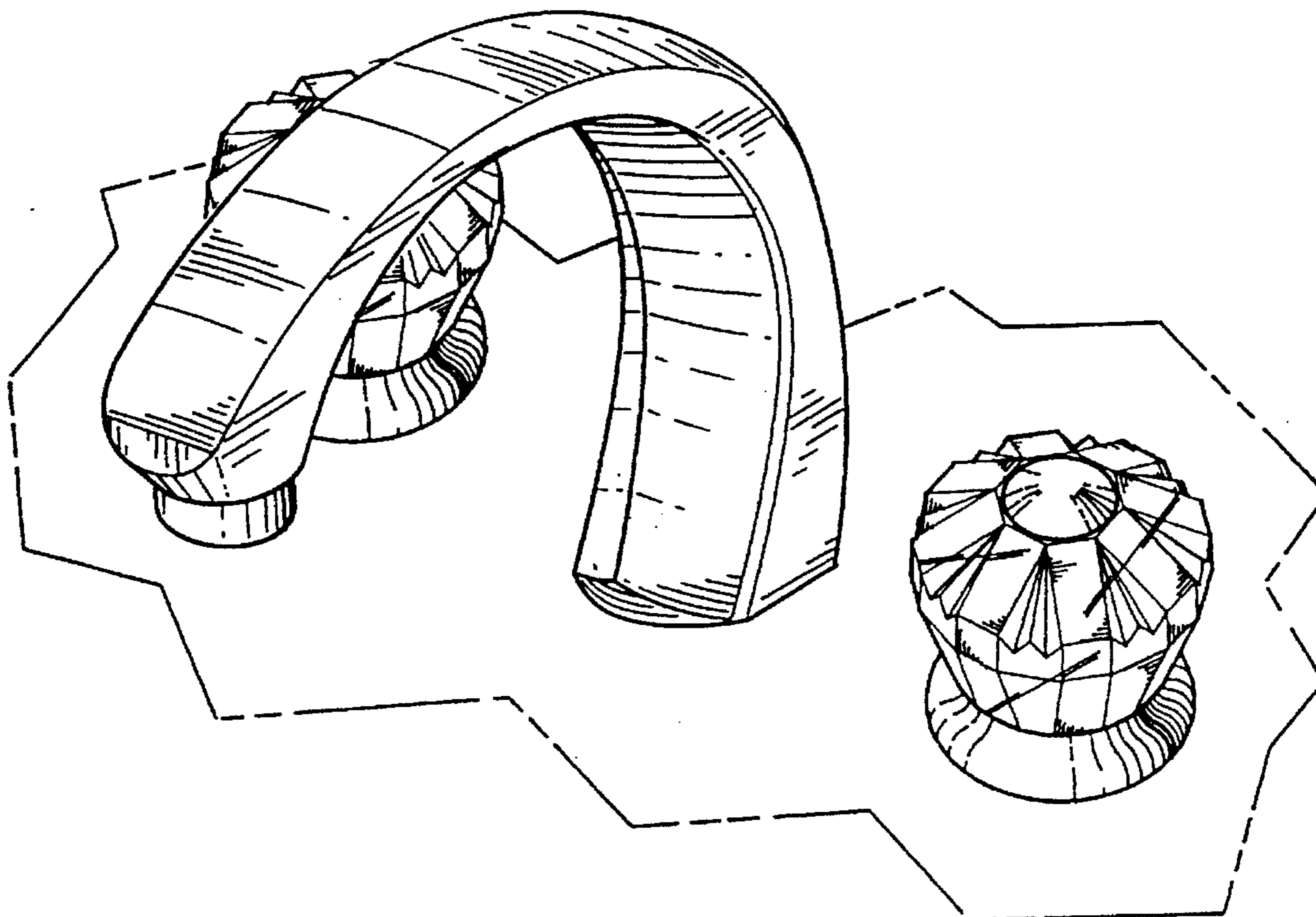
FIG. 1 is a perspective view of a faucet set, showing my new design;
FIG. 2 is a front elevational view thereof;
FIG. 3 is a rear elevational view thereof;
FIG. 4 is a right side view, the opposite side being a mirror image thereof;
FIG. 5 is a top plan view thereof; and,
FIG. 6 is a bottom plan view thereof.
The broken line showing is for illustrative purposes only and forms no part of the claimed design.

1 Claim, 3 Drawing Sheets

[56] References Cited

U.S. PATENT DOCUMENTS

D. 258,522	3/1981	Thevelot	D23/242
D. 265,233	6/1982	Ronvik .	
D. 279,403	6/1985	Doman .	
D. 280,009	8/1985	Miller et al.	D23/242
D. 284,992	8/1986	Joerger	D23/242
D. 287,270	12/1986	Yost .	
D. 290,494	6/1987	Dragos .	
D. 297,972	10/1988	Yost .	
D. 299,519	1/1989	Robidh	D23/242
D. 324,259	2/1992	Yost .	



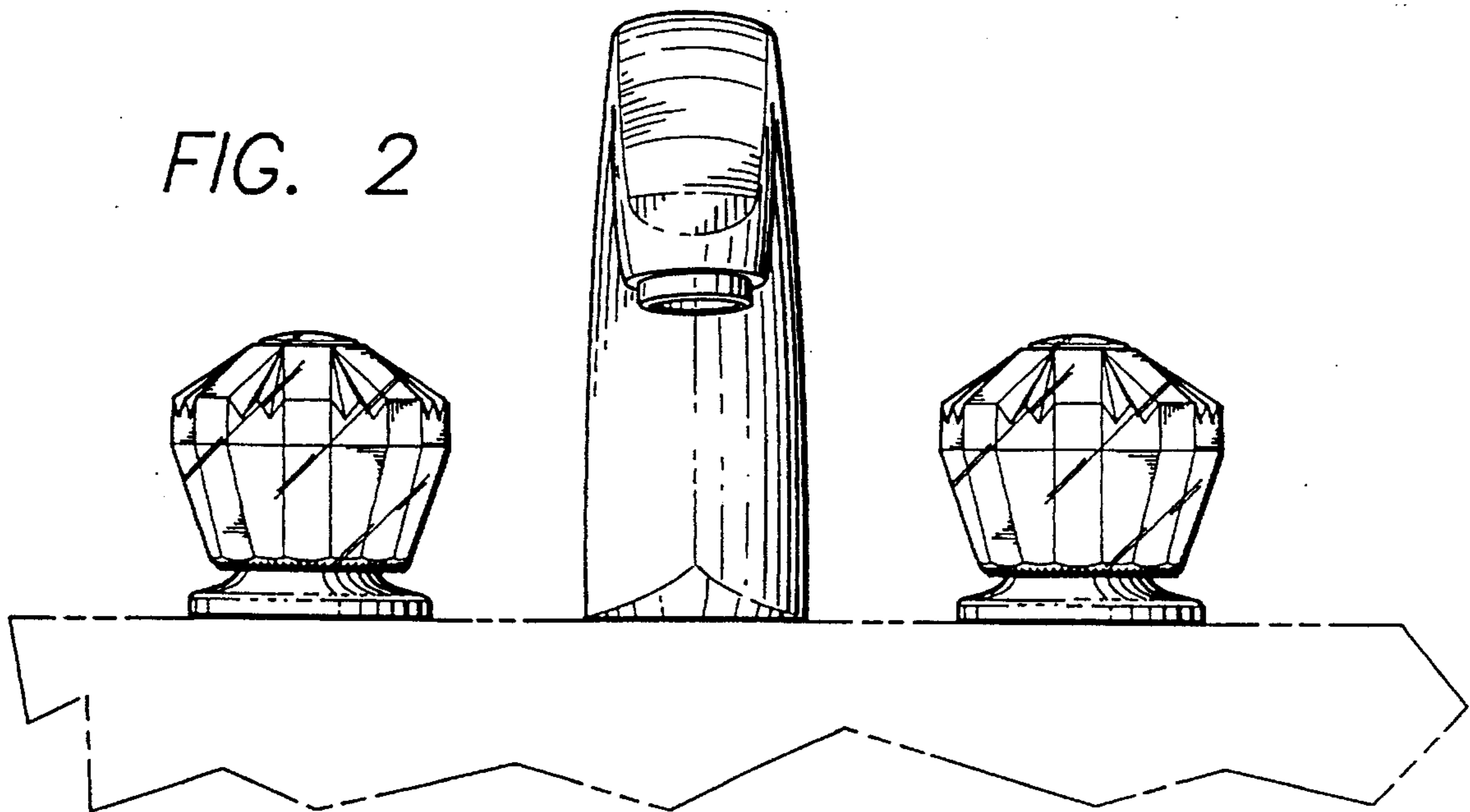
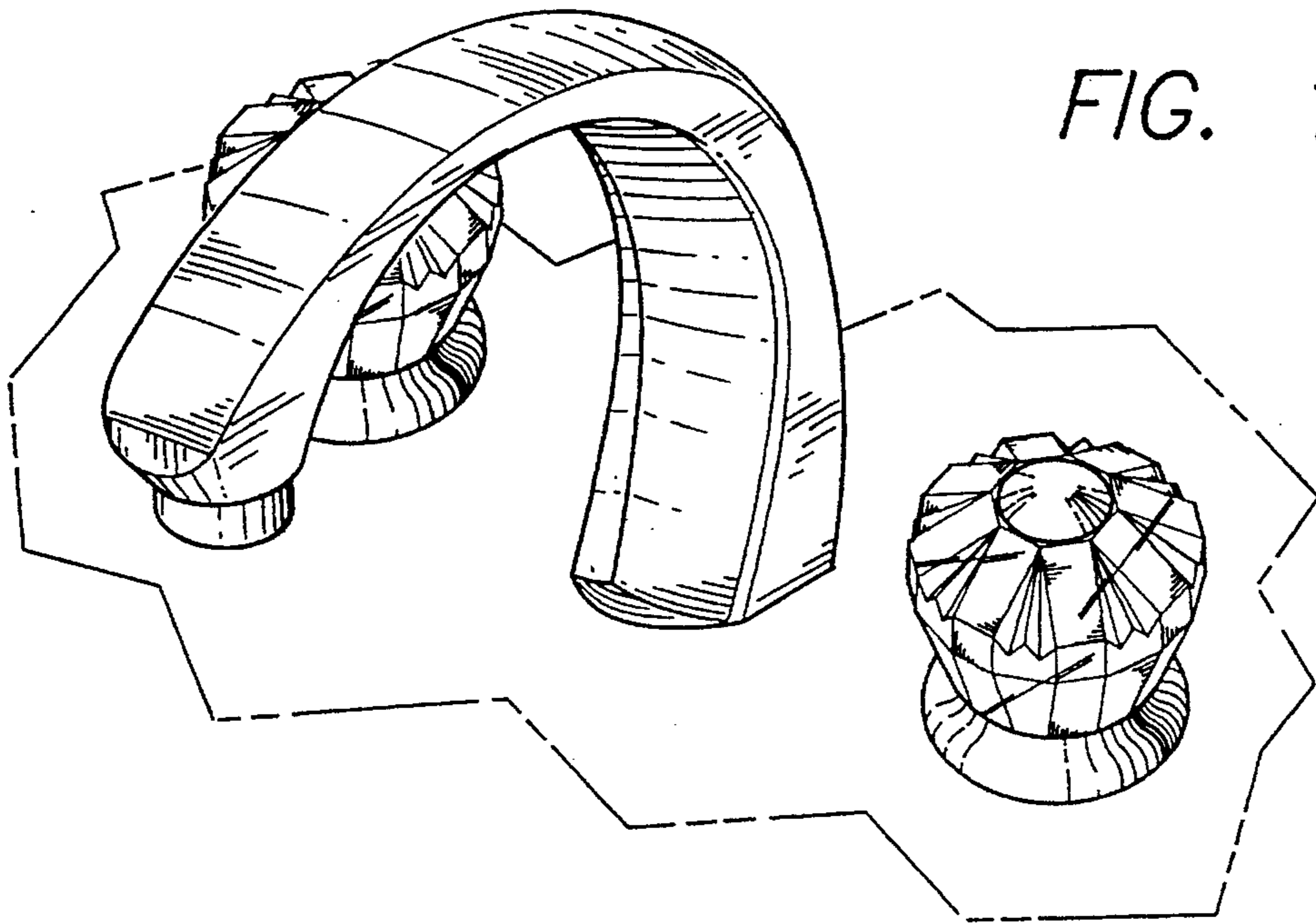


FIG. 3

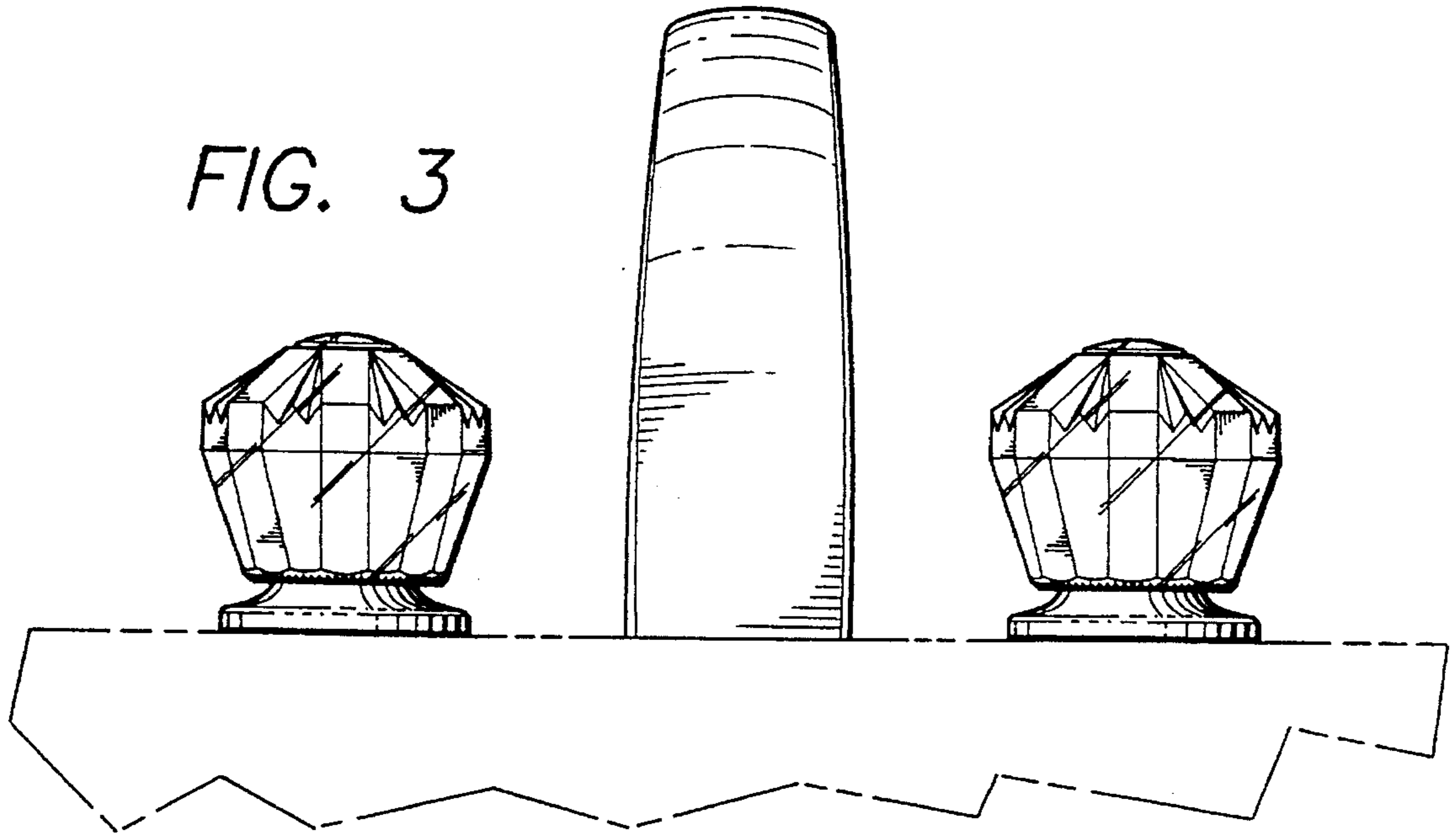


FIG. 4

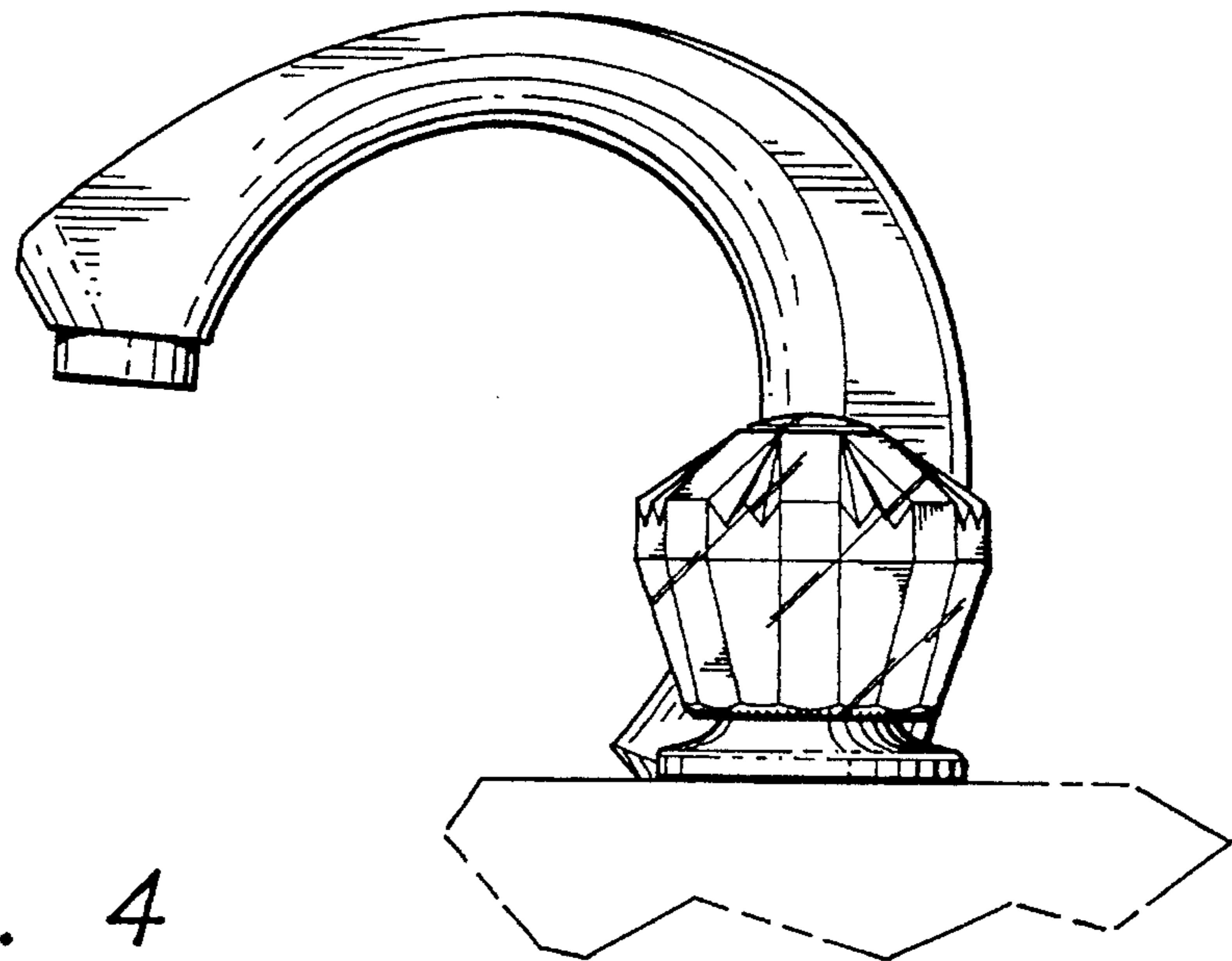


FIG. 5

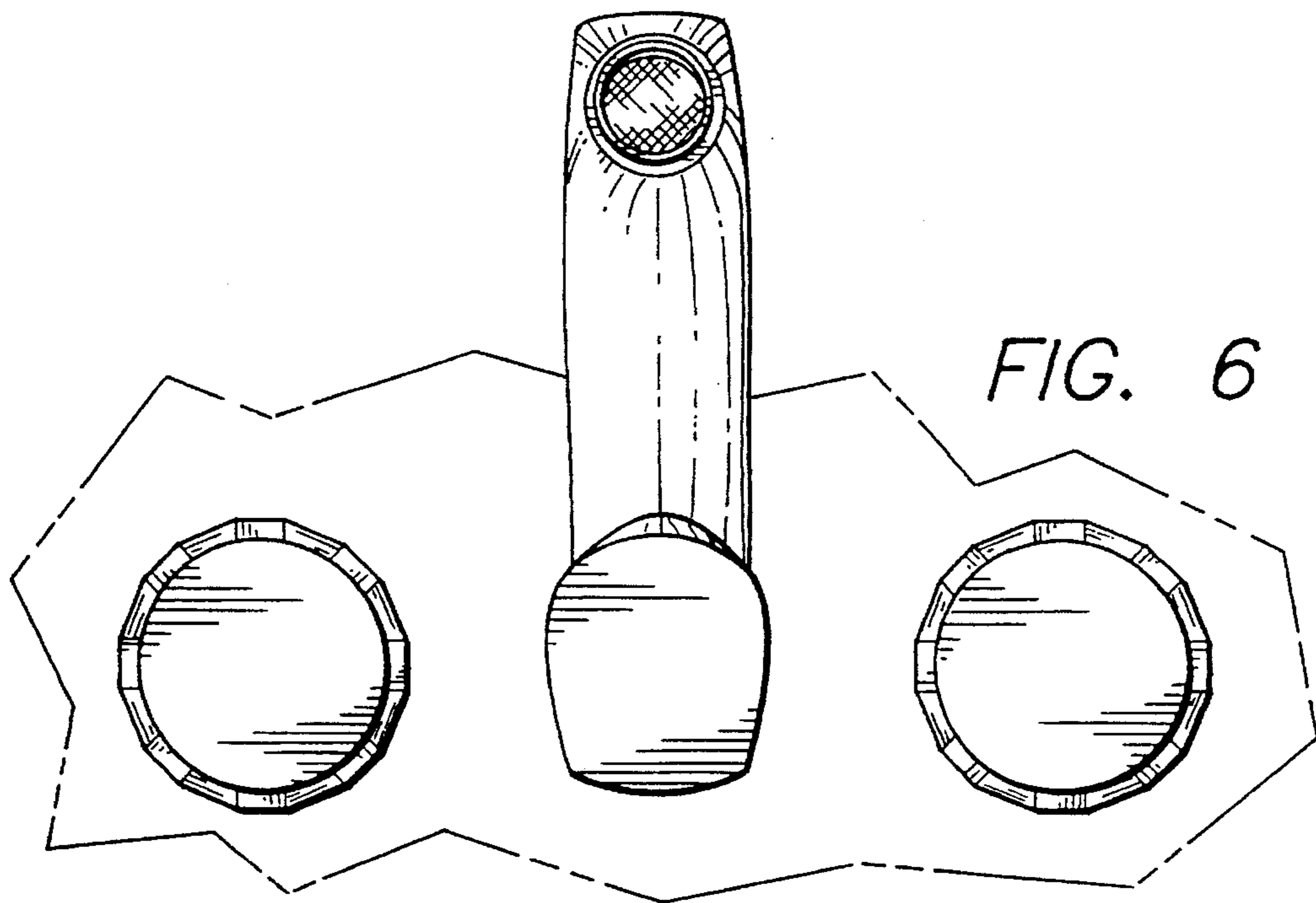
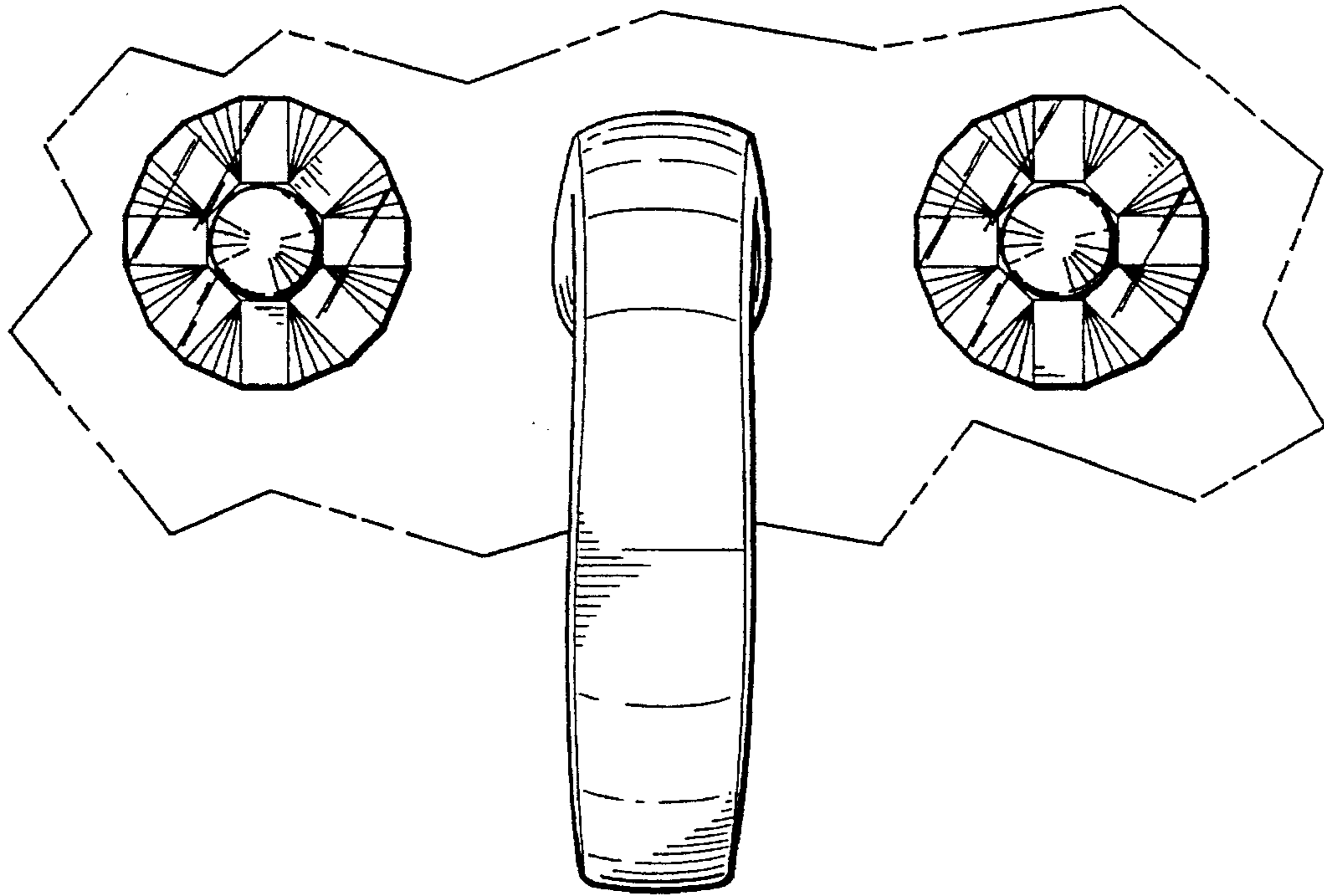


FIG. 6