



US00D373618S

United States Patent [19]

Doughty et al.

[11] Patent Number: Des. 373,618

[45] Date of Patent: **Sep. 10, 1996

[54] FAUCET

[75] Inventors: **Frederic C. Doughty**, S. Pasadena;
Darren M. Mark, Castaic, both of Calif.

[73] Assignee: **Emhart Inc.**, Newark, Del.

[**] Term: **14 Years**

[21] Appl. No.: **44,388**

[22] Filed: **Sep. 22, 1995**

[52] U.S. Cl. **D23/241**

[58] Field of Search D23/238-243,
D23/250-257; D8/300, 307, 308, 310, 312;
4/675-678; 137/801

[56] **References Cited**

U.S. PATENT DOCUMENTS

D. 187,846	5/1960	Brown	D23/241
D. 190,791	6/1961	Kohler	D23/241
D. 192,003	12/1961	Young	.	
D. 200,042	1/1965	Mackay	.	
D. 229,495	12/1973	Landell	.	
D. 258,521	3/1982	Thevenot	D23/241
D. 265,233	6/1982	Ronvik	.	
D. 276,645	12/1984	Piesco	D23/241

D. 279,403	6/1985	Doman	.
D. 287,270	12/1986	Yost	.
D. 288,836	3/1987	Yost	.
D. 290,494	6/1987	Dragos	.
D. 299,518	1/1989	Yost	.
D. 346,852	5/1994	Hill	.

Primary Examiner—Louis S. Zarfes
Assistant Examiner—Eric Watterson
Attorney, Agent, or Firm—J. Bruce Hoofnagle

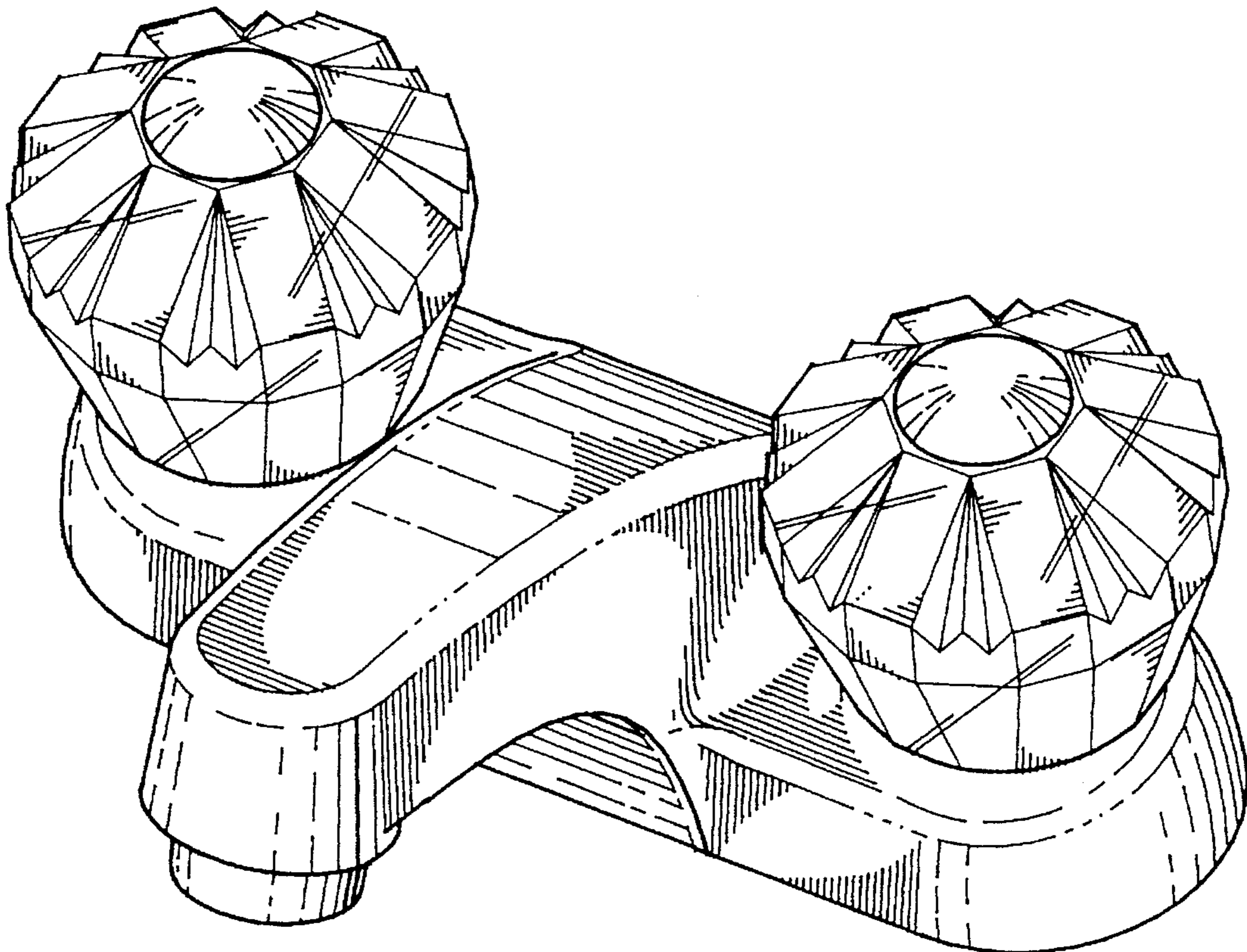
[57] **CLAIM**

The ornamental design for faucet, as shown and described.

DESCRIPTION

FIG. 1 is a perspective view of our new design of a faucet; FIG. 2 is a front elevational view of our new design of the faucet; FIG. 3 is a rear elevational view of our new design of the faucet; FIG. 4 is a left side elevational view of our new design of the faucet, a right side elevational view thereof being a mirror image of the left side elevational thereof; FIG. 5 is a top plan view of our new design of the faucet; and, FIG. 6 is a bottom plan view of our new design of the faucet.

1 Claim, 3 Drawing Sheets



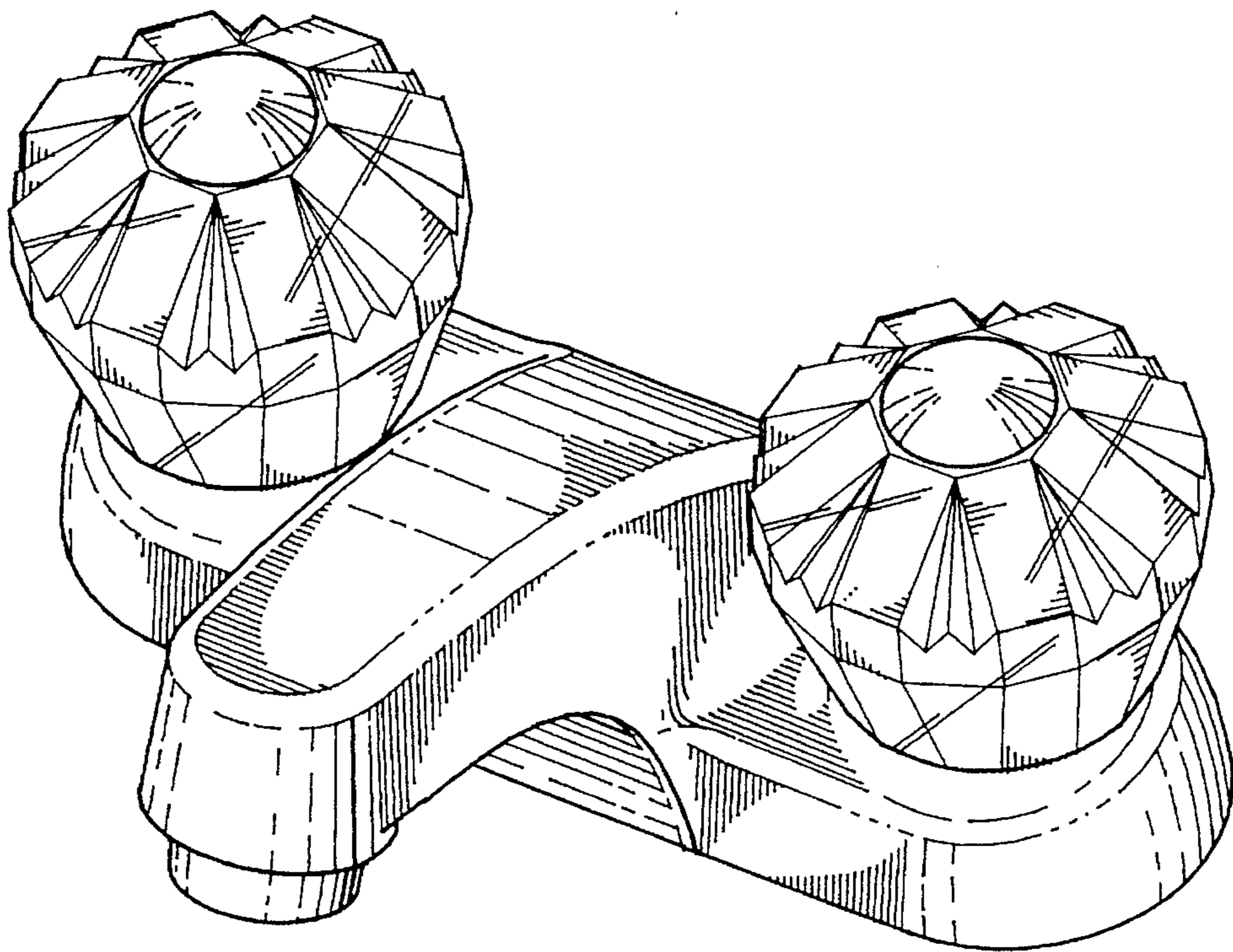


FIG. 1

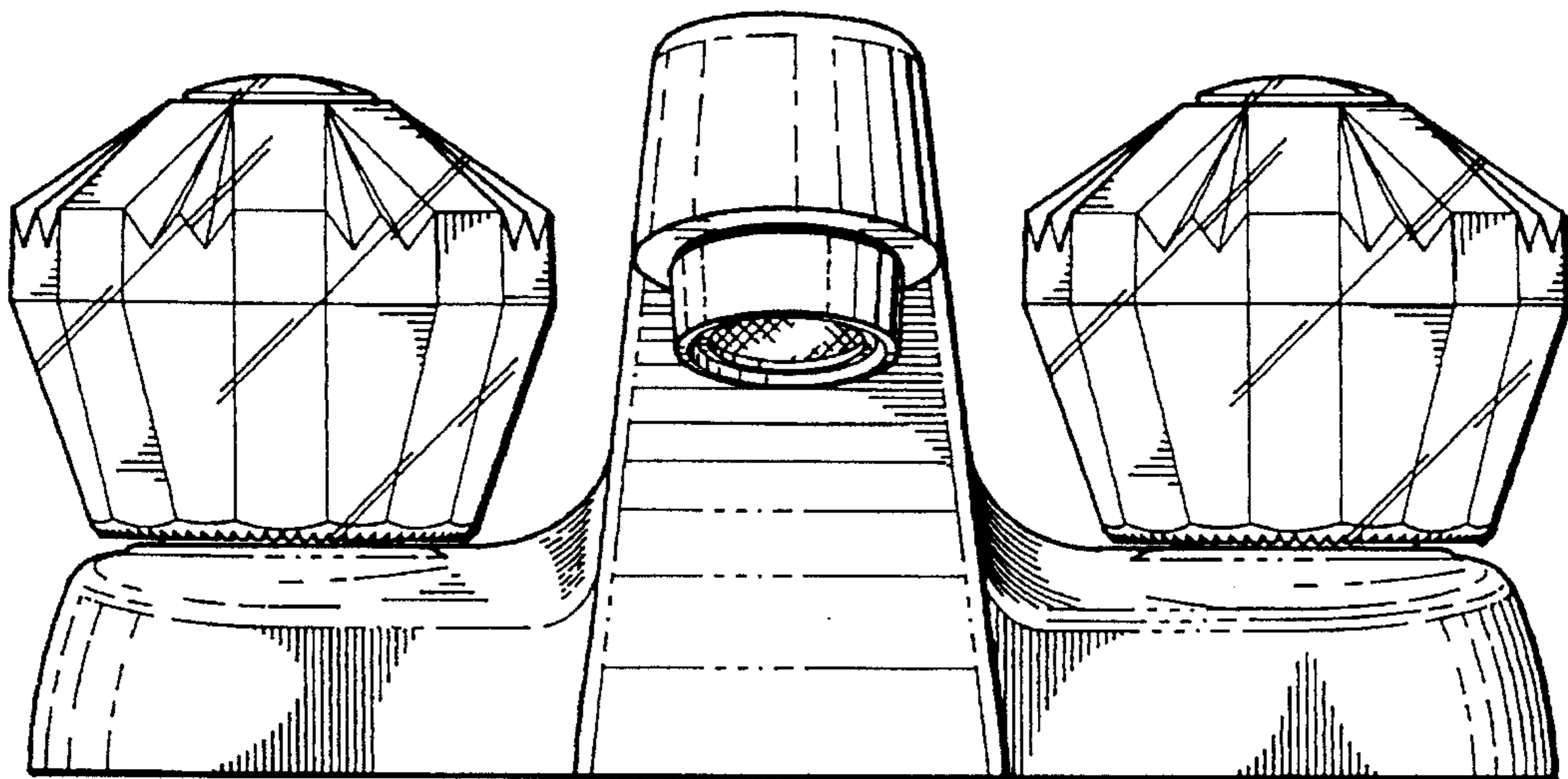


FIG. 2

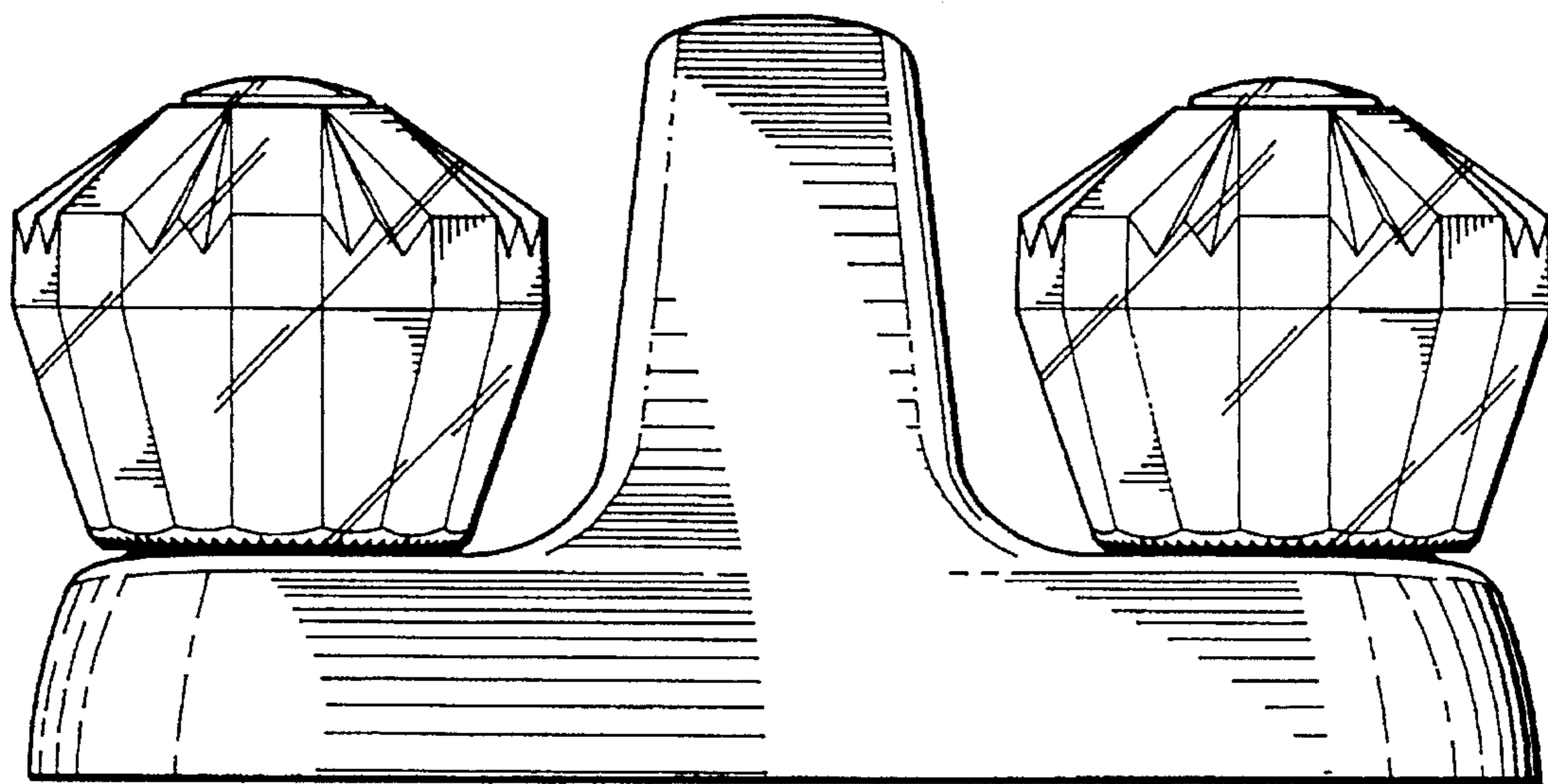


FIG. 3

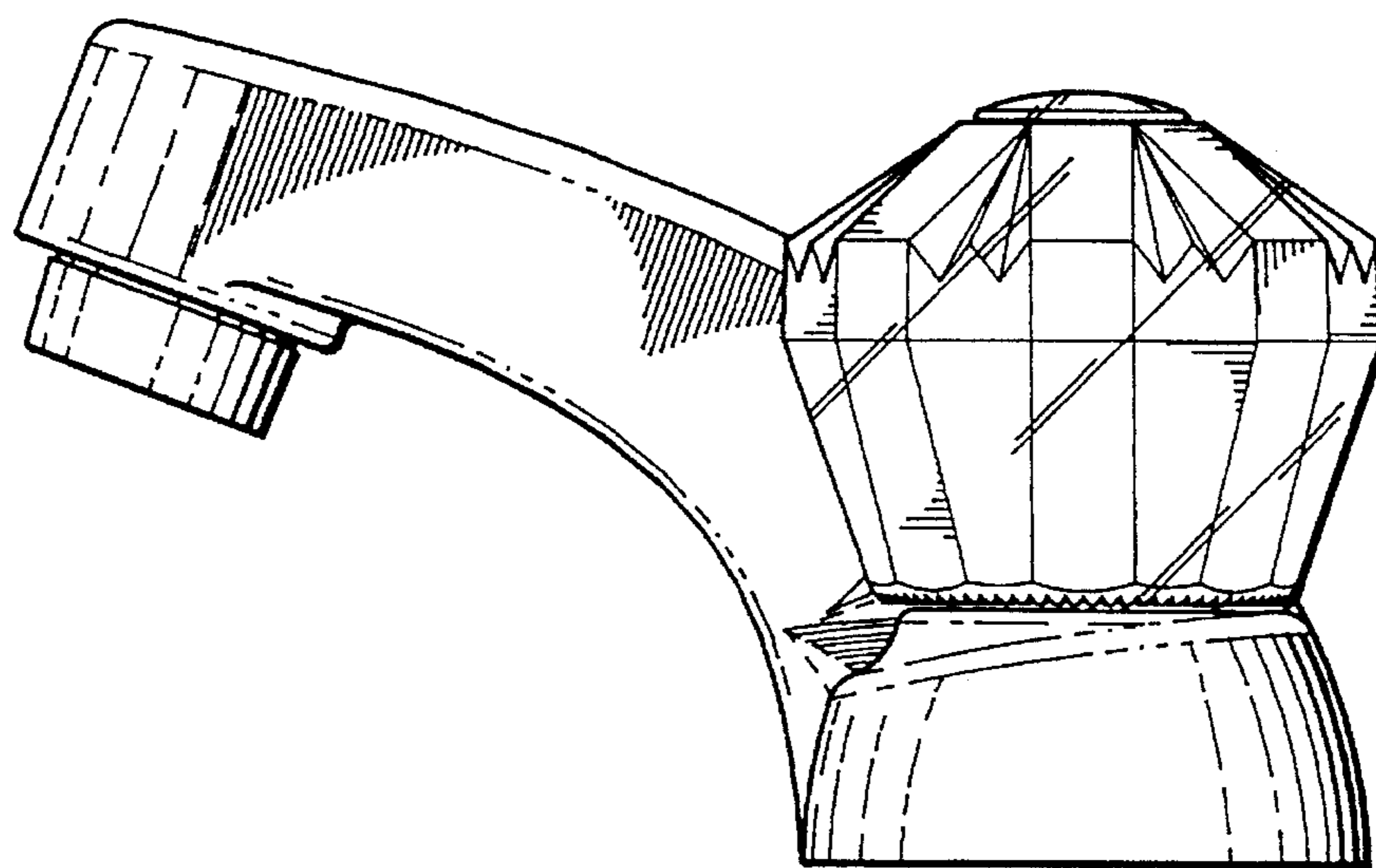


FIG. 4

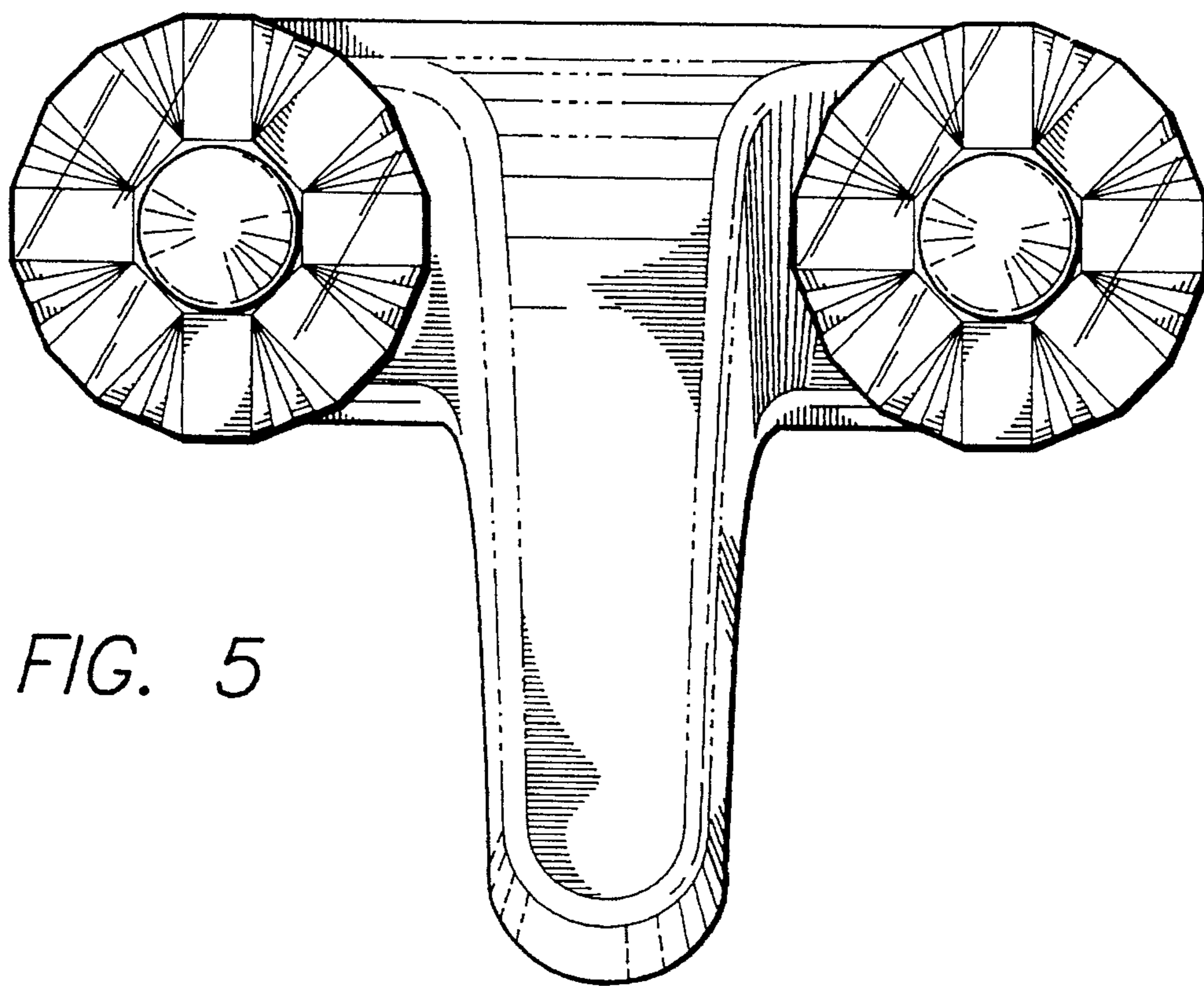


FIG. 5

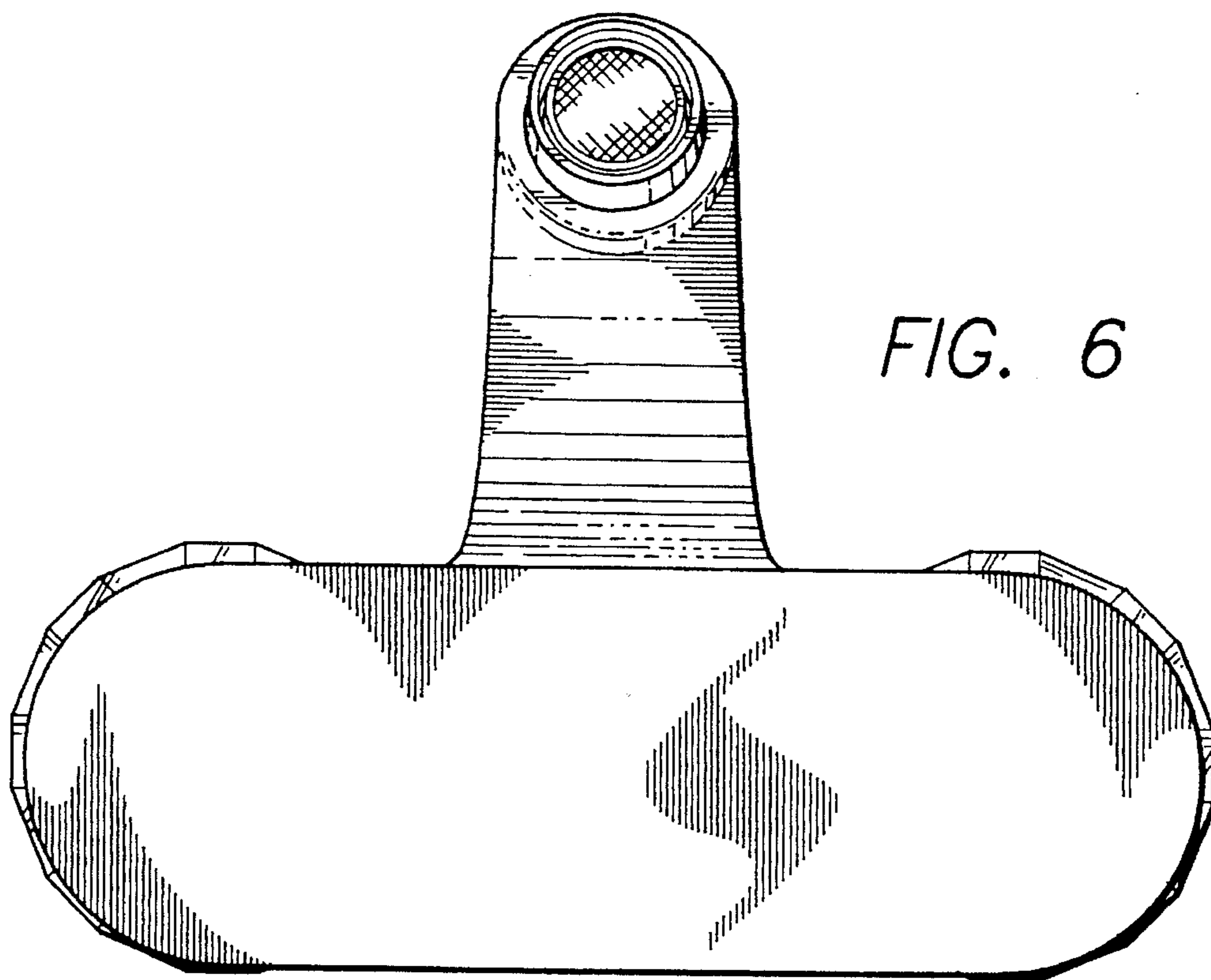


FIG. 6