



US00D373617S

United States Patent [19]

[11] Patent Number: **Des. 373,617**

Doughty et al.

[45] Date of Patent: ****Sep. 10, 1996**

[54] FAUCET

[75] Inventors: **Frederic C. Doughty**, S. Pasadena;
Darren M. Mark, Castaic, both of Calif.

[73] Assignee: **Emhart Inc.**, Newark, Del.

[**] Term: **14 Years**

[21] Appl. No.: **44,374**

[22] Filed: **Sep. 22, 1995**

[52] U.S. Cl. **D23/241**

[58] Field of Search D23/238-243,
D23/250-257; D8/300, 307, 310, 312; 4/675-678;
137/801

- D. 290,494 6/1987 Dragos .
- D. 293,362 12/1987 Hill et al. .
- D. 295,551 5/1988 Yost .
- D. 321,750 11/1991 Spangler .
- D. 346,825 5/1994 Hill D23/241
- D. 359,342 6/1995 Doughty .
- D. 363,974 11/1995 Doughty et al. .

Primary Examiner—Louis S. Zarfes
Assistant Examiner—Eric Watterson
Attorney, Agent, or Firm—J. Bruce Hoofnagle

[57] CLAIM

The ornamental design for faucet, as shown and described.

DESCRIPTION

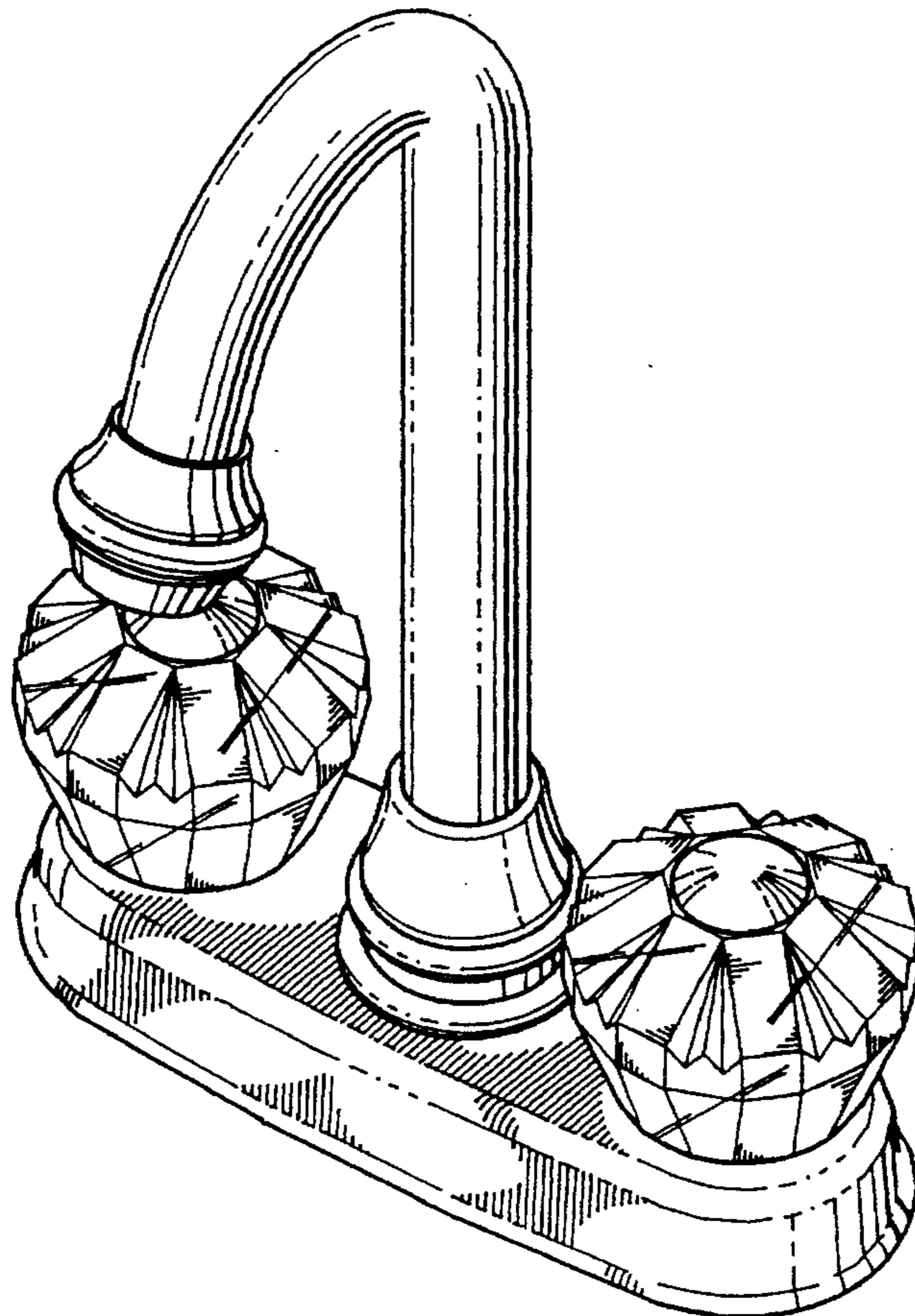
FIG. 1 is a perspective view of our new design of a faucet;
FIG. 2 is a front elevational view of our new design of the faucet;
FIG. 3 is a rear elevational view of our new design of the faucet;
FIG. 4 is a right side elevational view of our new design of the faucet, a left side elevational view thereof being a mirror image of the right side elevational thereof;
FIG. 5 is a top plan view of our new design of the faucet;
and,
FIG. 6 is a bottom plan view of our new design of the faucet.

[56] References Cited

U.S. PATENT DOCUMENTS

- D. 187,846 5/1960 Brown D23/241
- D. 190,791 6/1961 Kohler D23/241
- D. 258,521 3/1981 Thevenot D23/241
- D. 265,233 6/1982 Ronvik .
- D. 276,259 11/1984 Miller .
- D. 276,645 12/1984 Piesco D23/241
- D. 279,403 6/1985 Doman .
- D. 287,270 12/1986 Yost .
- D. 288,835 3/1987 Yost .

1 Claim, 3 Drawing Sheets



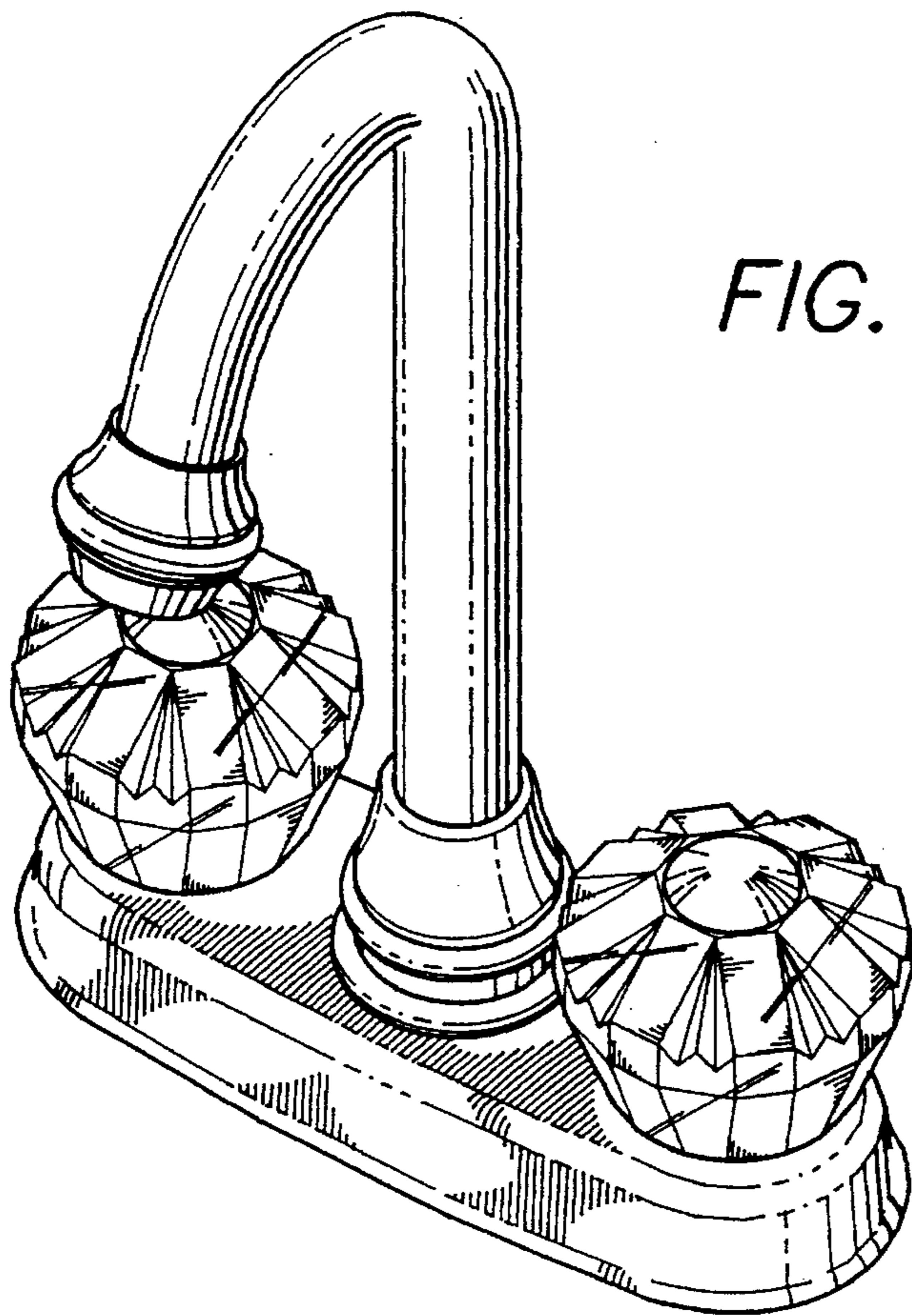


FIG. 1

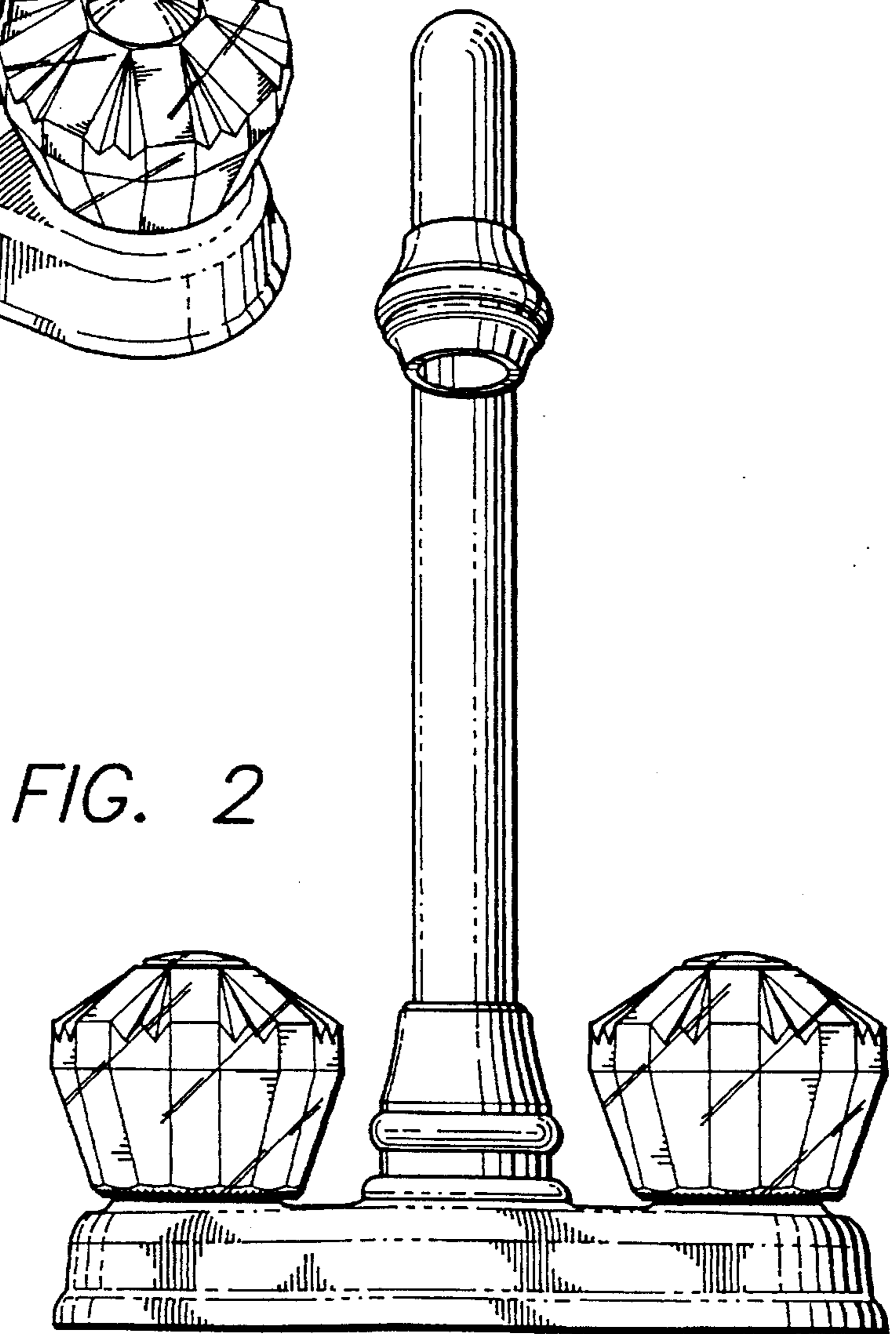


FIG. 2

FIG. 4

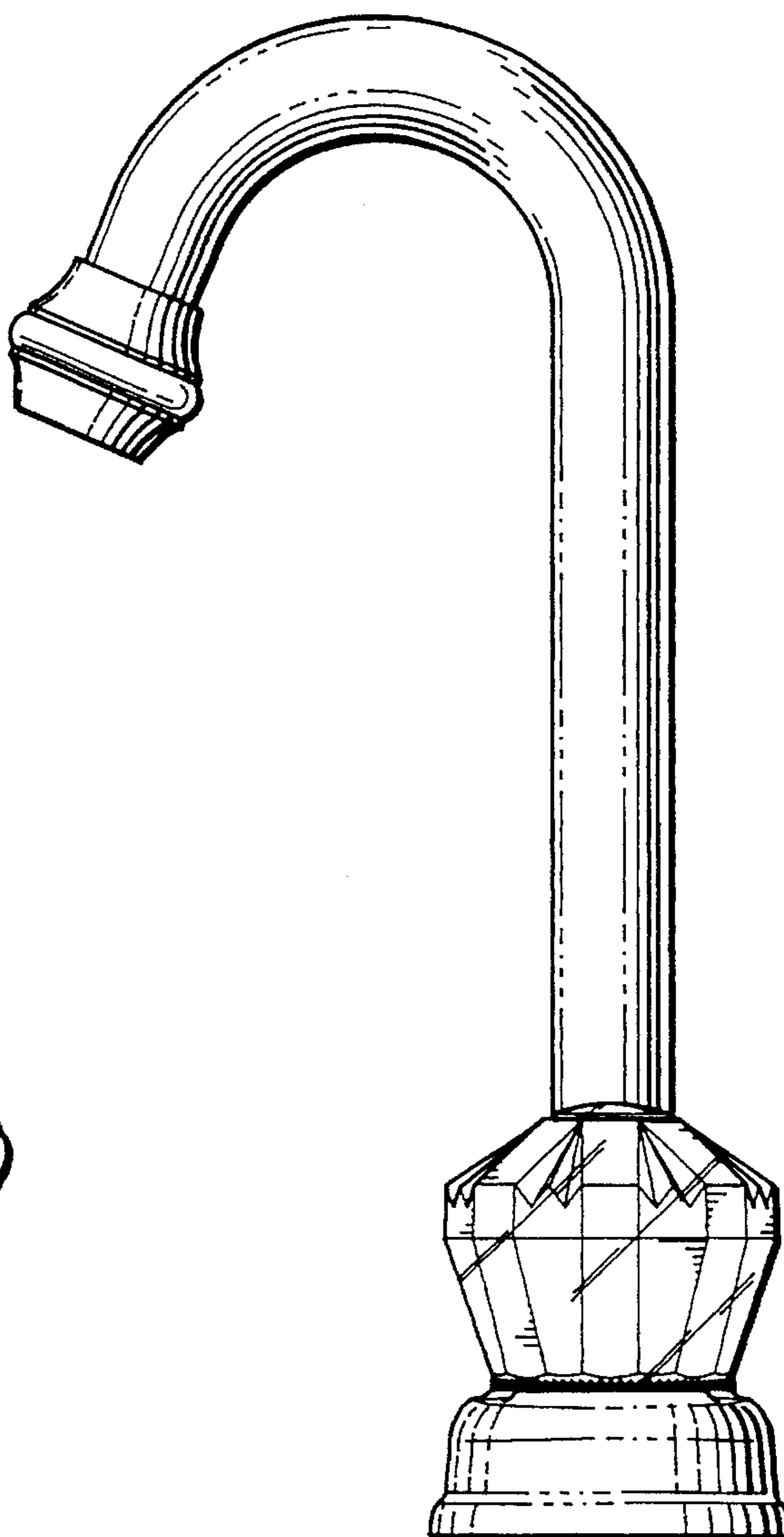


FIG. 3

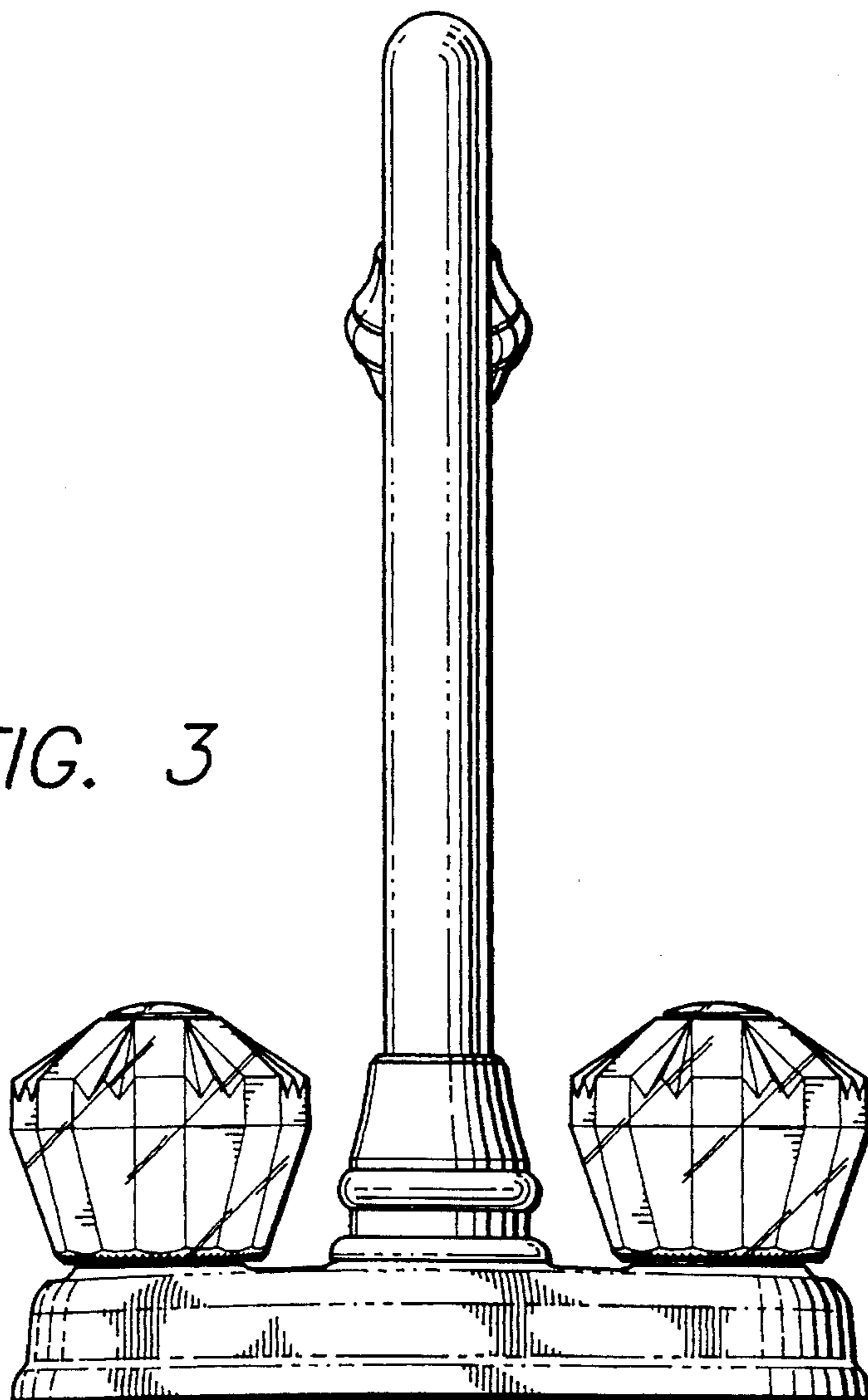


FIG. 5

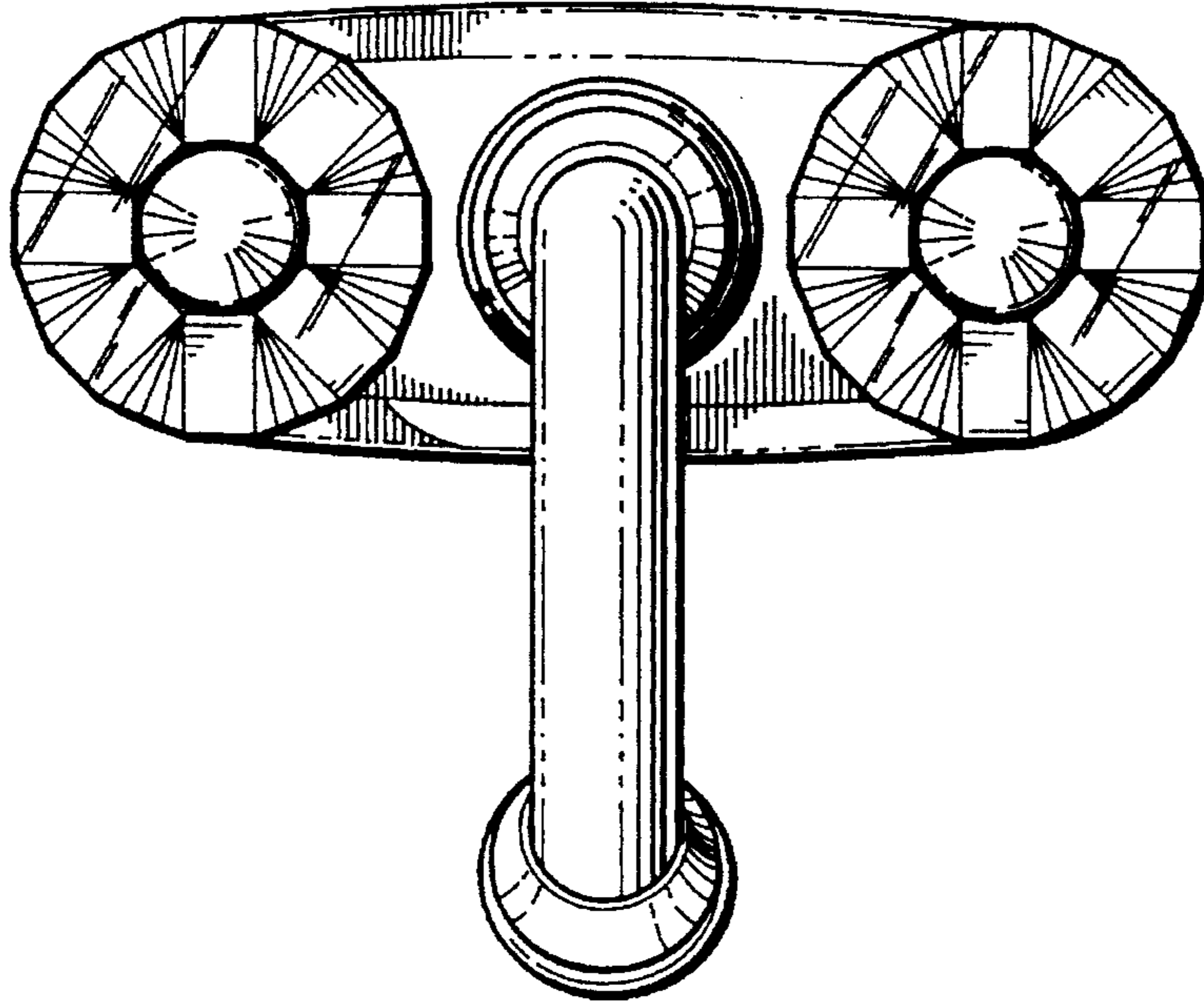


FIG. 6

