



US00D373616S

# United States Patent [19]

[11] **Patent Number: Des. 373,616**

**Doughty et al.**

[45] **Date of Patent: \*\*Sep. 10, 1996**

[54] **FAUCET**

[75] Inventors: **Frederic C. Doughty**, S. Pasadena;  
**Darren M. Mark**, Castaic, both of Calif.

[73] Assignee: **Emhart Inc.**, Newark, Del.

[\*\*] Term: **14 Years**

[21] Appl. No.: **44,298**

[22] Filed: **Sep. 22, 1995**

[52] U.S. Cl. .... **D23/241**

[58] **Field of Search** ..... D23/238-243,  
D23/250-257; D8/300, 308, 307, 310, 312;  
4/675-678; 137/801

[56] **References Cited**

**U.S. PATENT DOCUMENTS**

- D. 187,846 5/1960 Brown ..... D23/241
- D. 190,791 6/1961 Kohler ..... D23/241
- D. 192,003 12/1961 Young .
- D. 200,042 1/1965 Mackay .
- D. 216,692 3/1970 Young .
- D. 229,495 12/1973 Landell .
- D. 258,521 3/1981 Thevenot ..... D23/241

- D. 258,525 3/1981 Thevenot .
- D. 276,645 12/1984 Piesco ..... D23/241
- D. 288,836 3/1987 Yost .
- D. 299,518 1/1989 Yost .
- D. 346,852 5/1994 Hill .

*Primary Examiner*—Stella Reid  
*Assistant Examiner*—Eric Watterson  
*Attorney, Agent, or Firm*—J. Bruce Hoofnagle

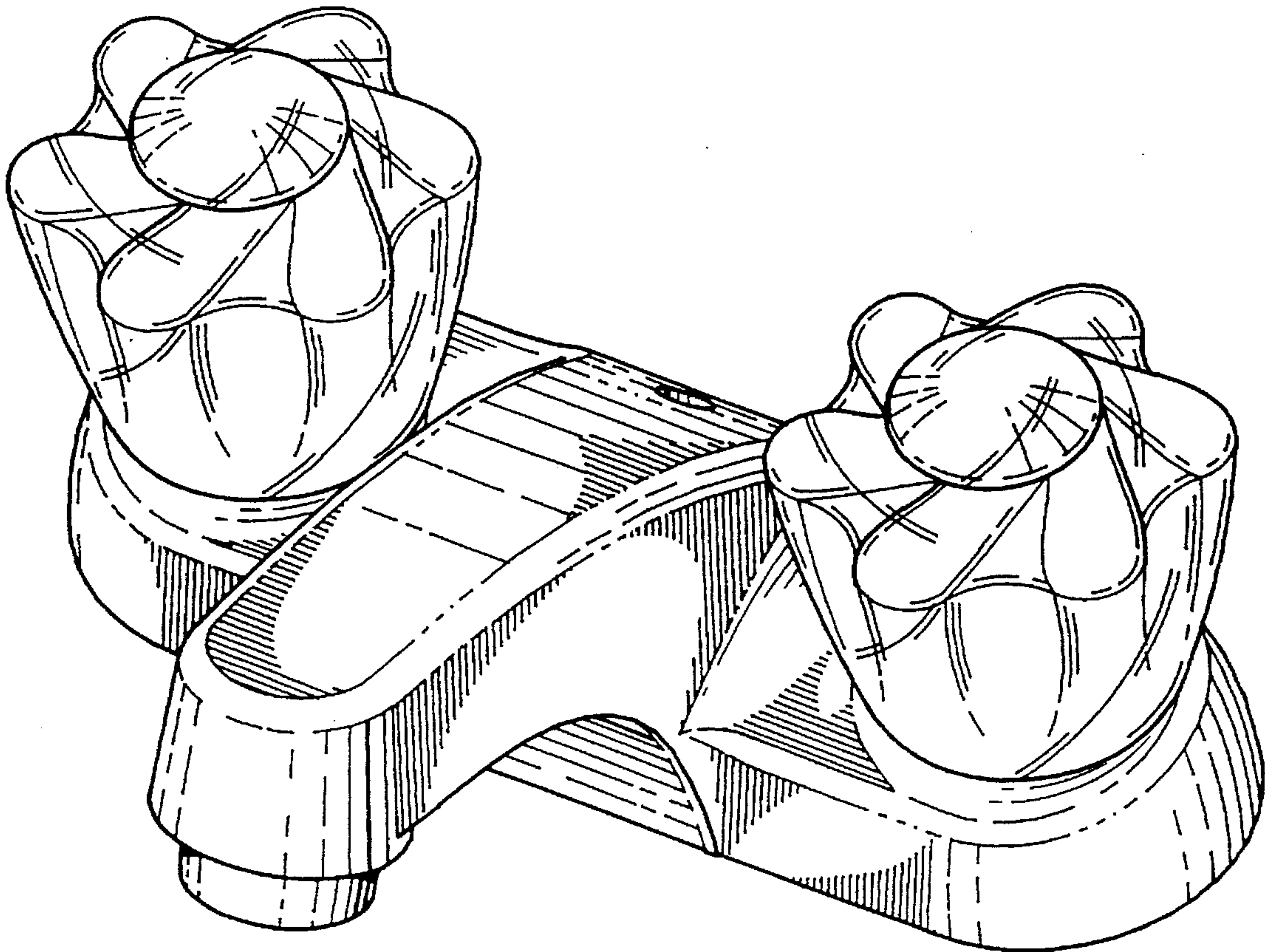
[57] **CLAIM**

The ornamental design for faucet, as shown and described.

**DESCRIPTION**

FIG. 1 is a perspective view of our new design of a faucet; FIG. 2 is a front elevational view of our new design of the faucet; FIG. 3 is a rear elevational view of our new design of the faucet; FIG. 4 is a left side elevational view of our new design of the faucet, a right side elevational view thereof being a mirror image of the left side elevational thereof; FIG. 5 is a top plan view of our new design of the faucet; and, FIG. 6 is a bottom plan view of our new design of the faucet.

**1 Claim, 3 Drawing Sheets**



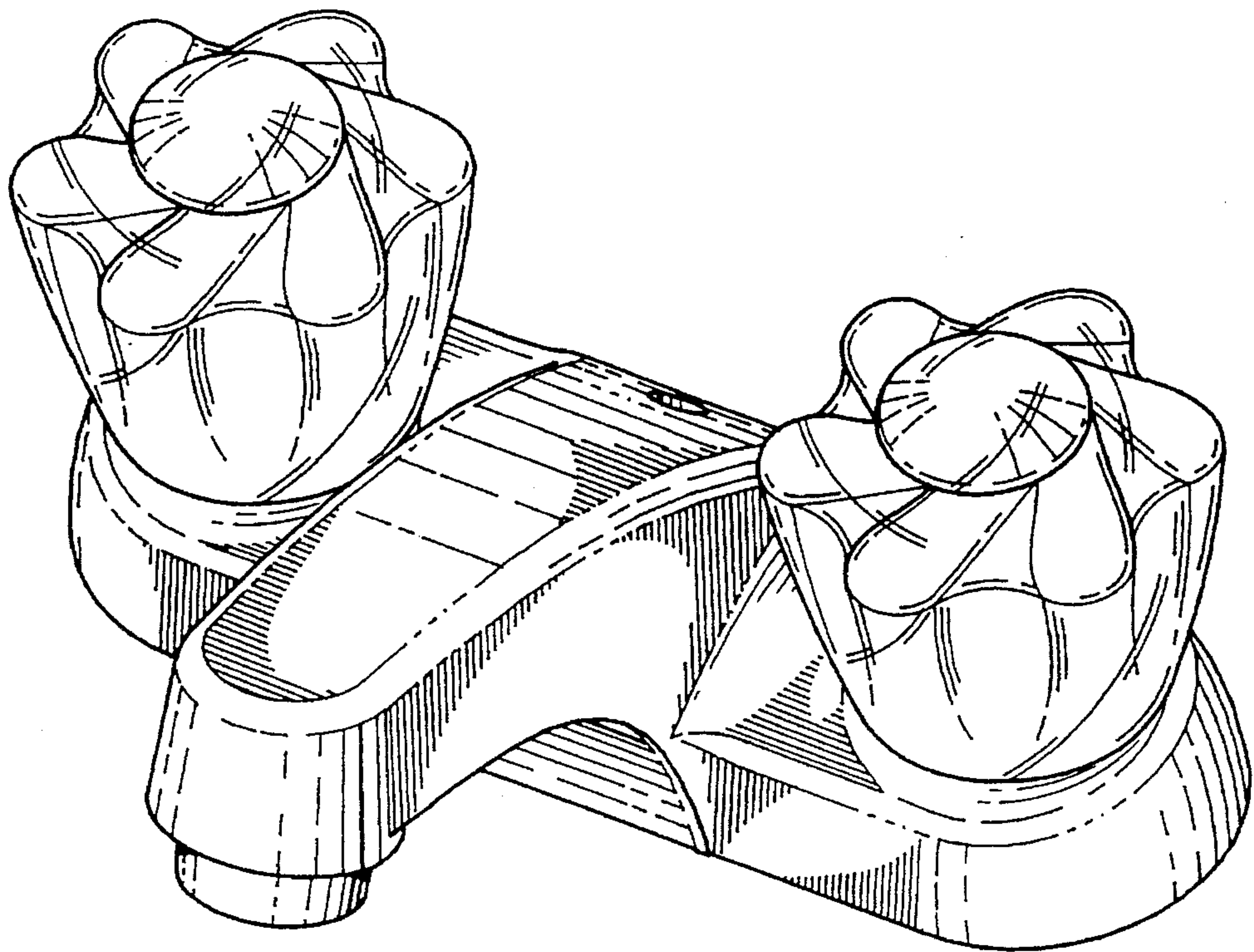


FIG. 1

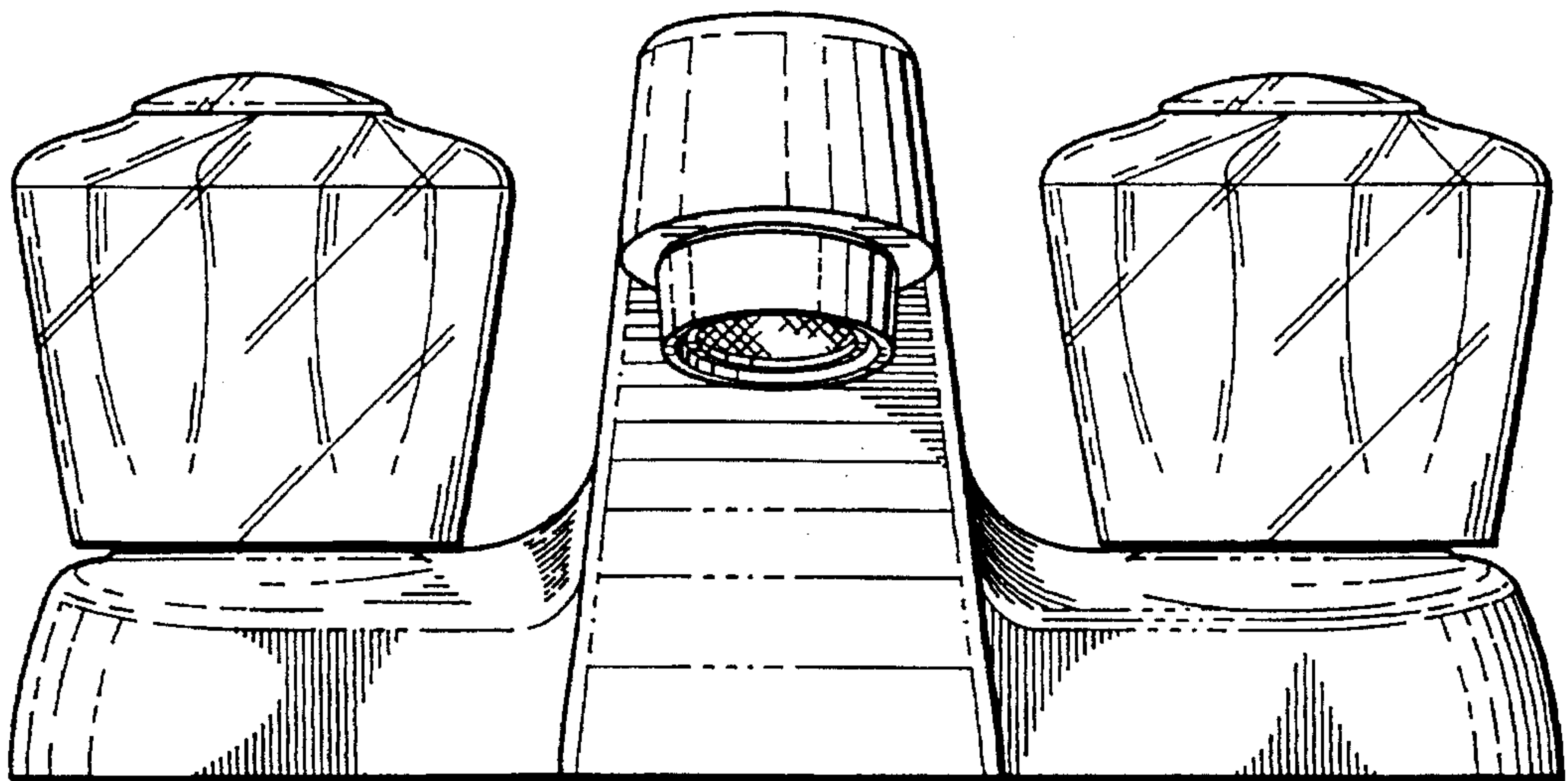


FIG. 2

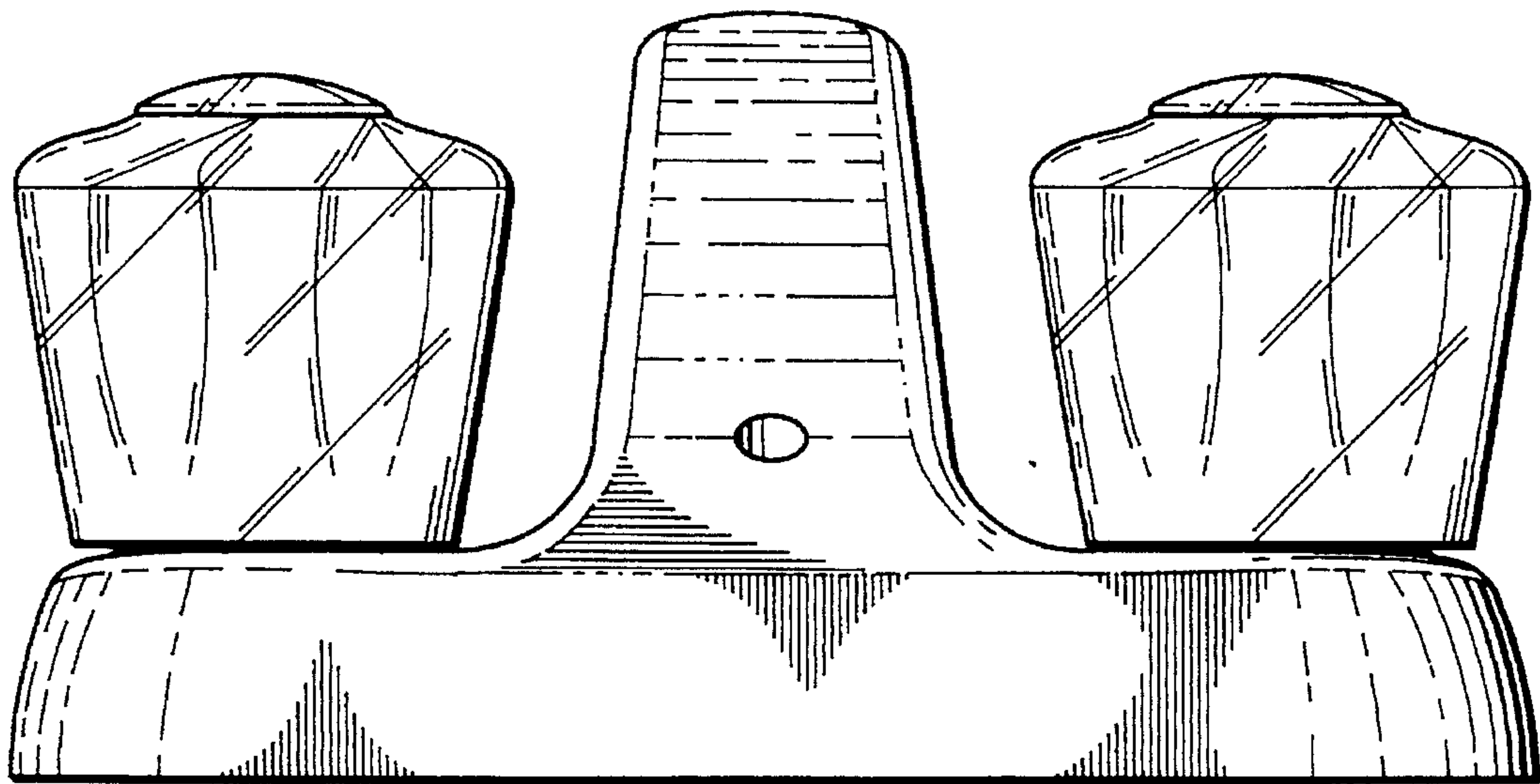


FIG. 3

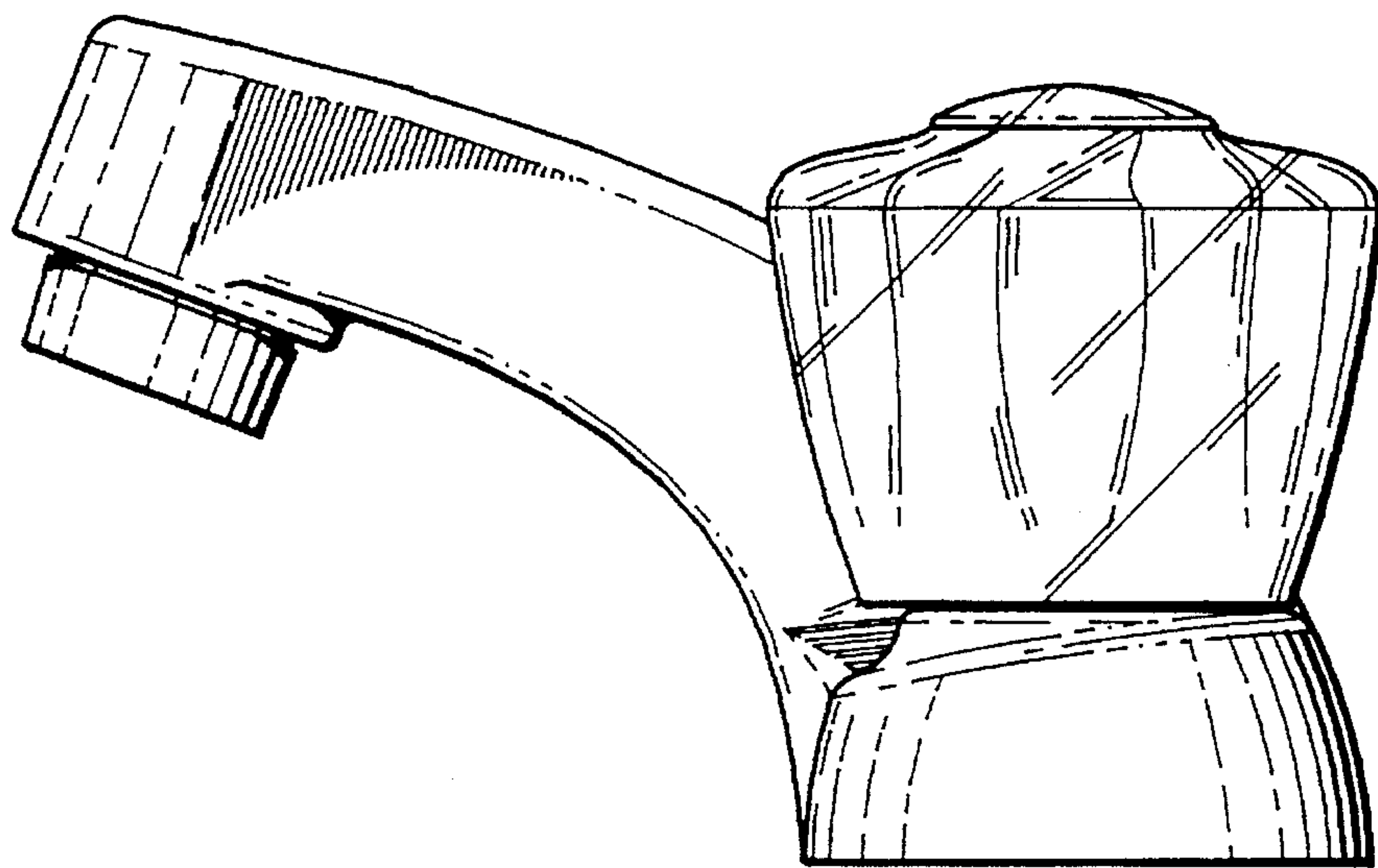


FIG. 4



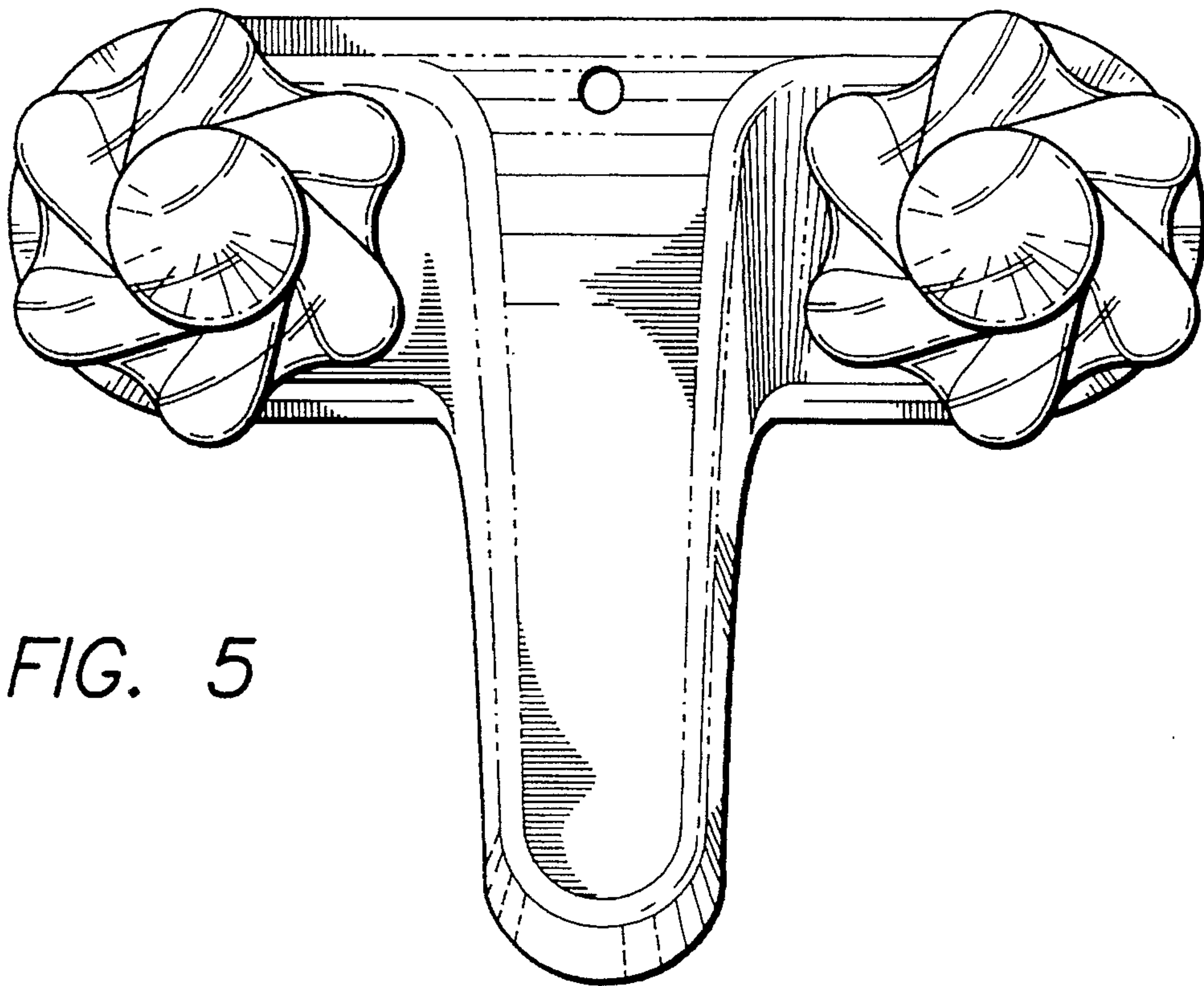


FIG. 5

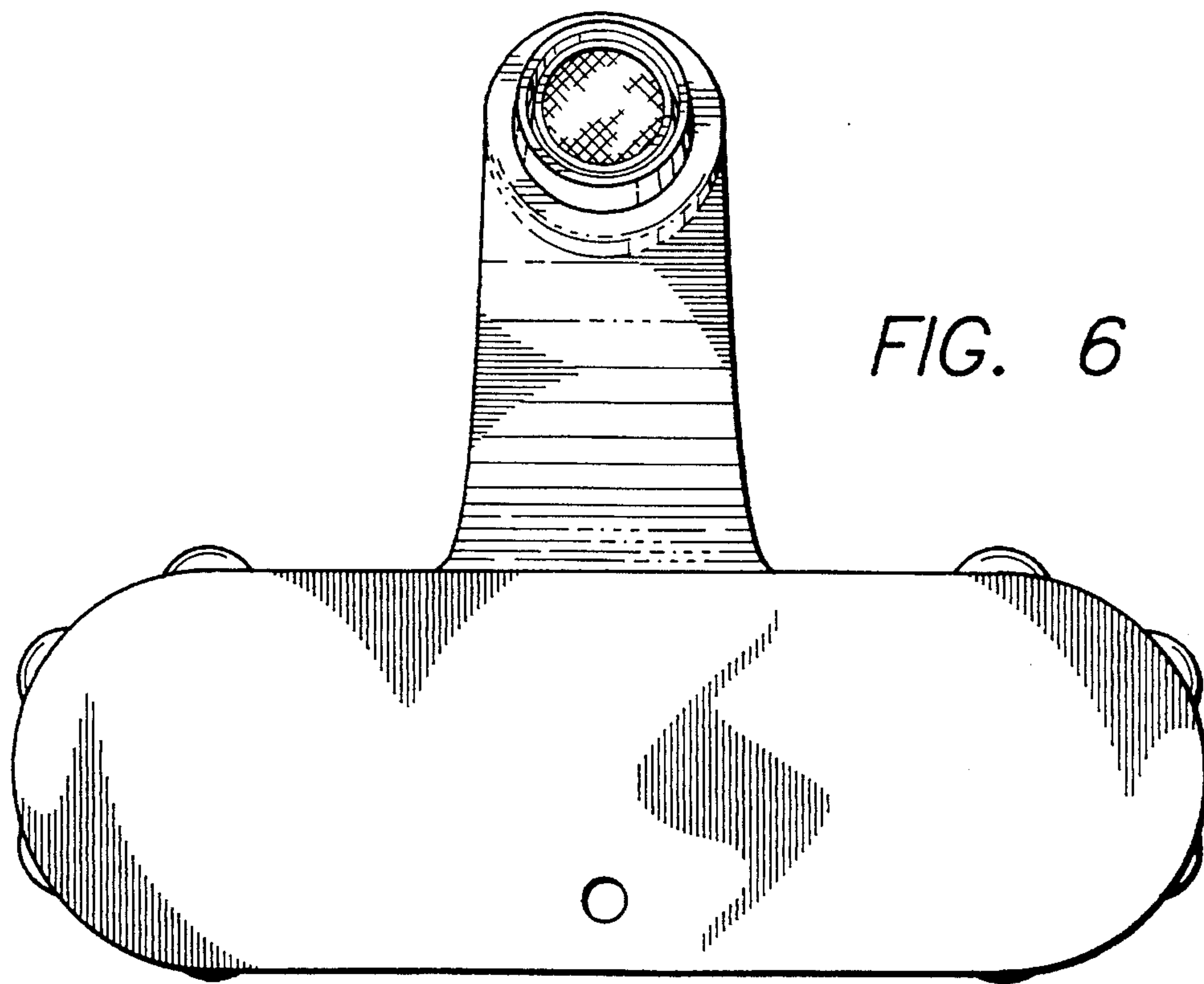


FIG. 6