



US00D373615S

United States Patent [19]
Crowell

[11] **Patent Number: Des. 373,615**
[45] **Date of Patent: **Sep. 10, 1996**

[54] **FOUNTAIN**

[76] Inventor: **Kathy L. Crowell**, 939 Thomson Rd.,
Unionville, Tenn. 37180

[**] Term: **14 Years**

[21] Appl. No.: **41,944**

[22] Filed: **Jul. 27, 1995**

[52] U.S. Cl. **D23/201**

[58] Field of Search D23/201, 212;
D32/29; 239/16, 17, 19, 20, 23; 4/546

[56] **References Cited**

U.S. PATENT DOCUMENTS

D. 53,438	6/1919	Edwards	D23/212
D. 56,774	12/1920	Sroka	D23/212
D. 94,178	12/1934	Weisbrod	D32/29
2,223,075	11/1940	McClaskey	D32/29
3,901,439	8/1975	Willis	239/20
4,281,794	8/1981	Dimino	239/20
5,167,368	12/1992	Nash	D23/201

OTHER PUBLICATIONS

"Living Waters" Fountain, p. 55 Display World Aug. 1961.

Primary Examiner—A. Hugo Word

Assistant Examiner—Robin V. Taylor

Attorney, Agent, or Firm—Devine, Millimet & Branch

[57] **CLAIM**

The ornamental design for a fountain, as shown and described.

DESCRIPTION

FIG. 1 is a top, front and left perspective view of a fountain showing my design;

FIG. 2 is a front view thereof;

FIG. 3 is a back view thereof;

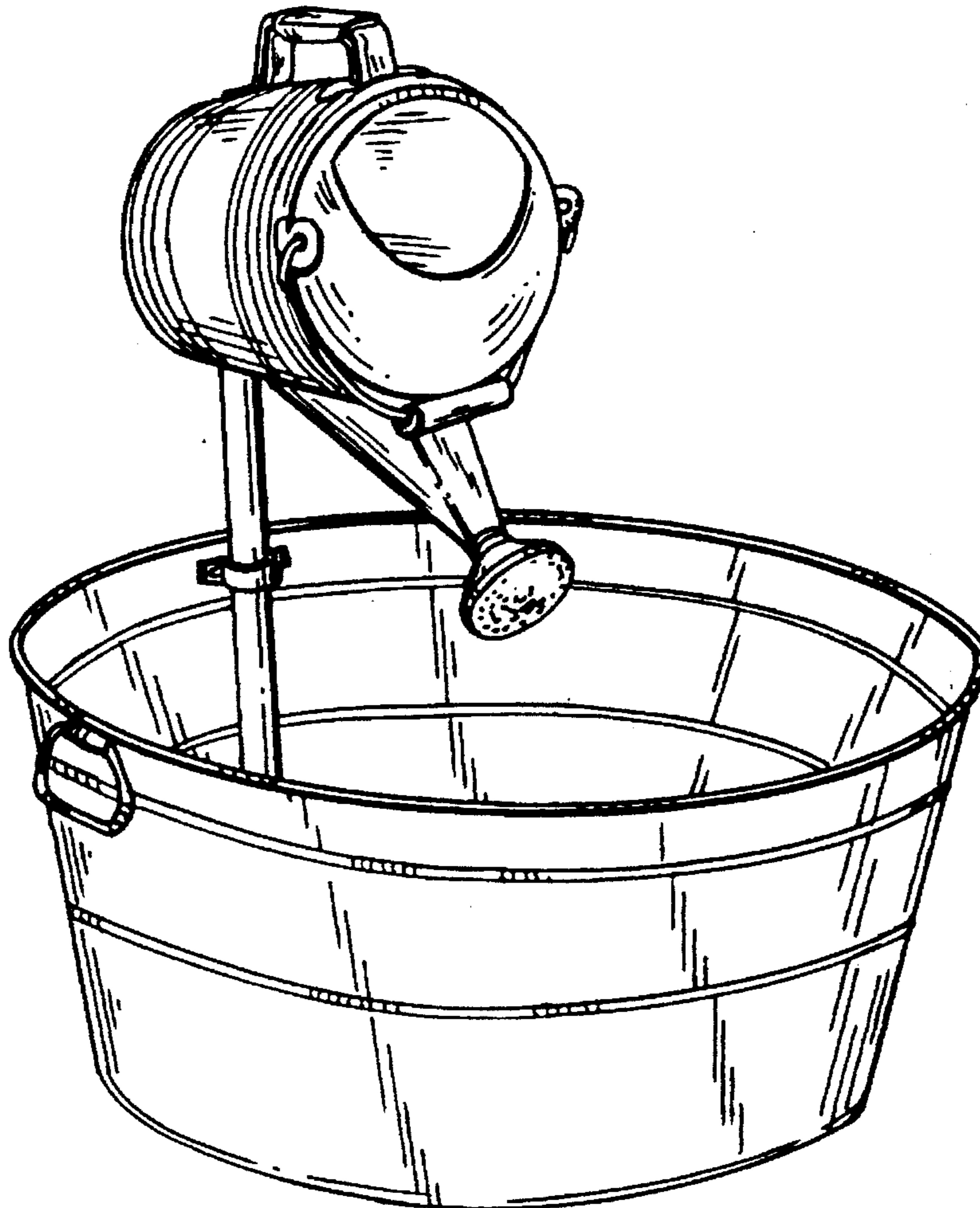
FIG. 4 is a left side view thereof;

FIG. 5 is a right side view thereof;

FIG. 6 is a top view thereof; and,

FIG. 7 is a bottom view thereof.

1 Claim, 4 Drawing Sheets



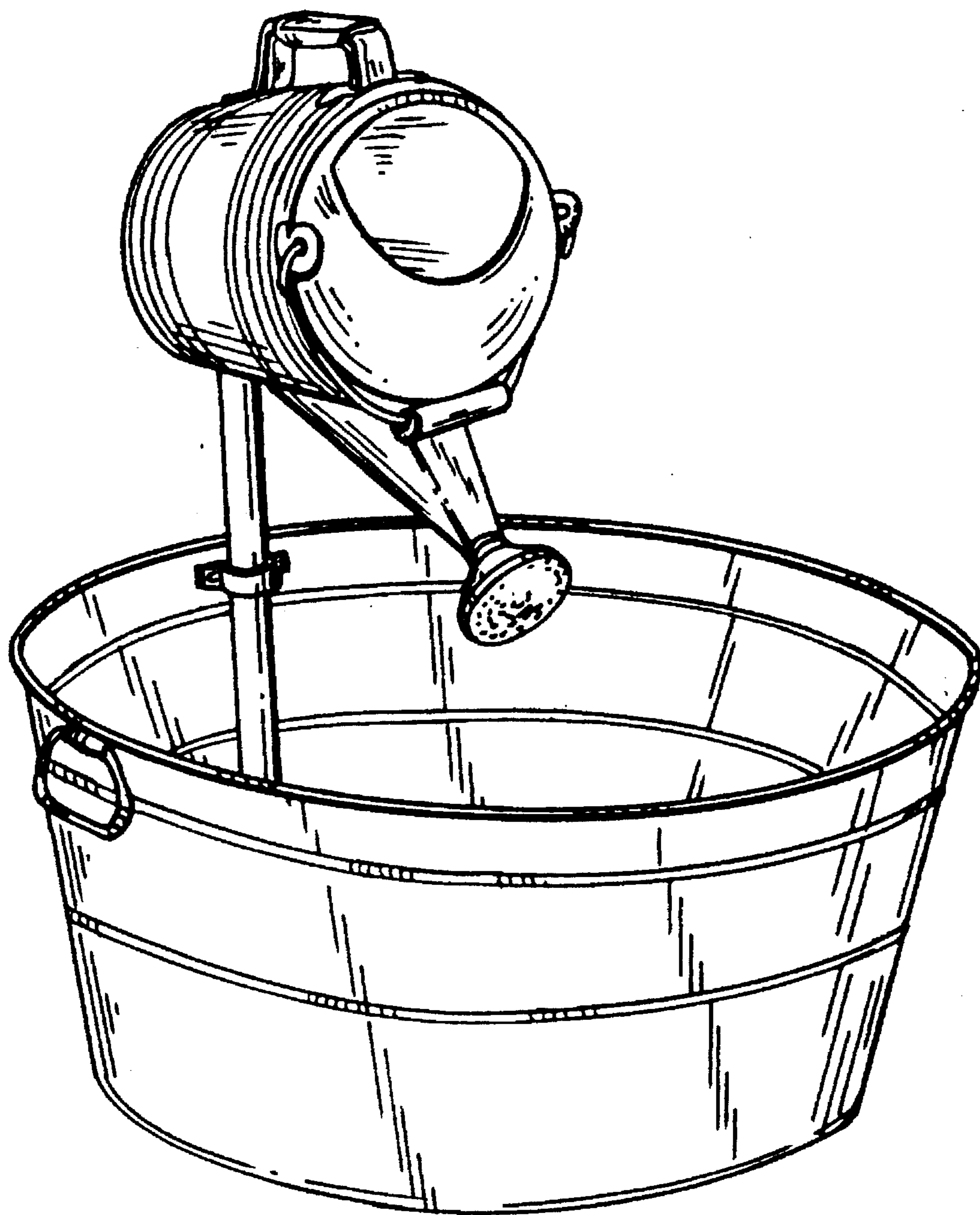


FIG. 1

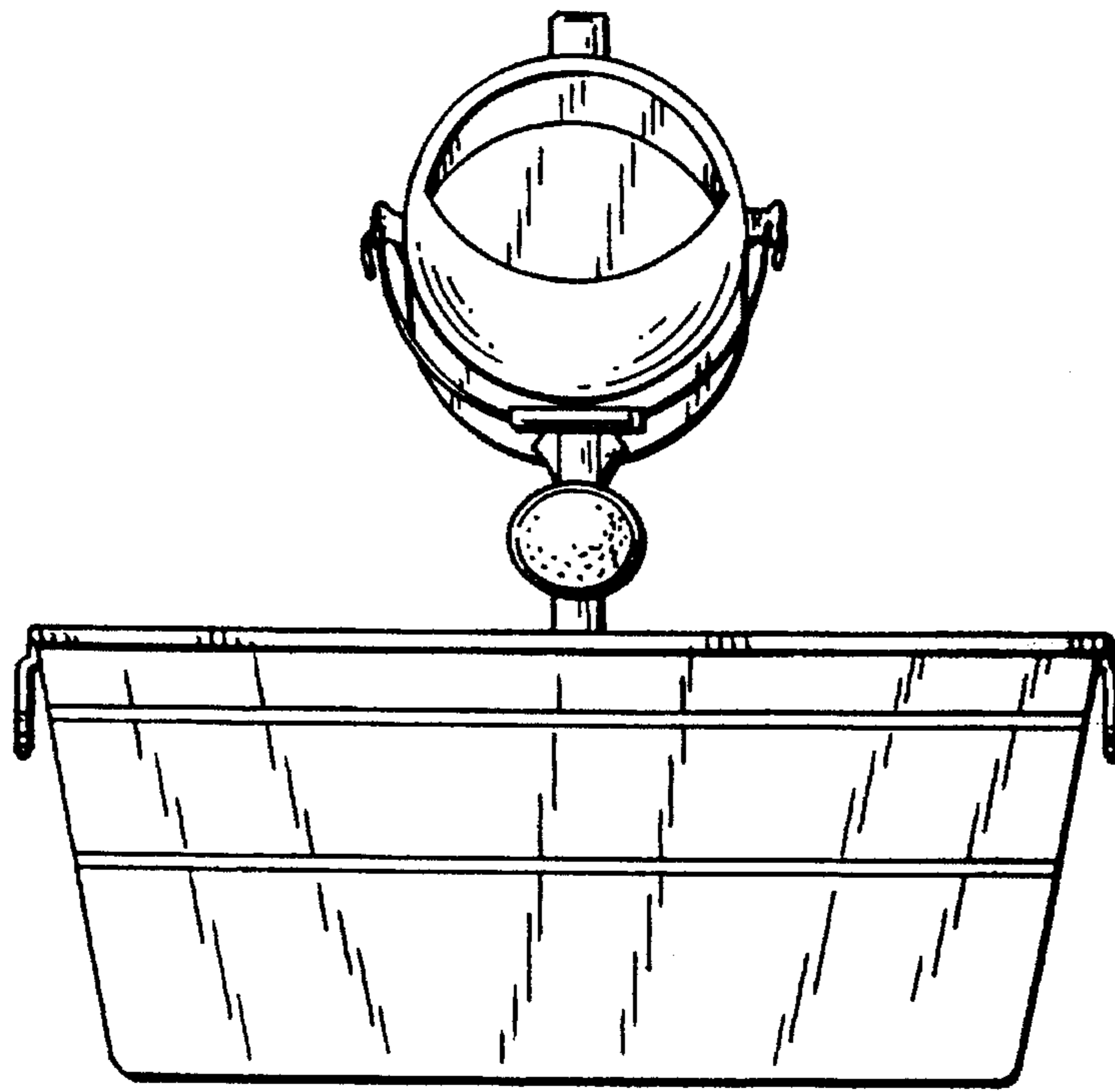


FIG. 2

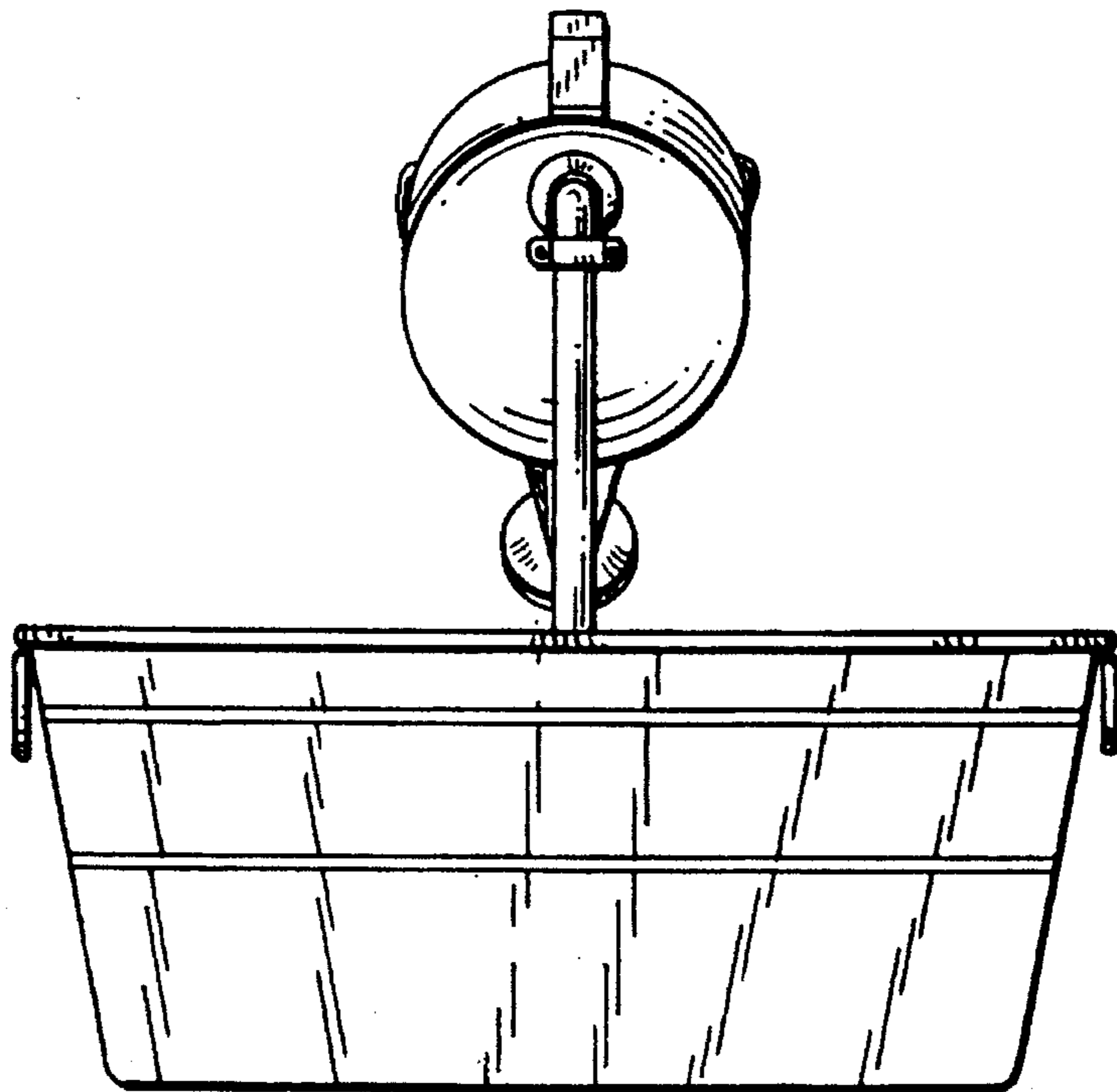


FIG. 3

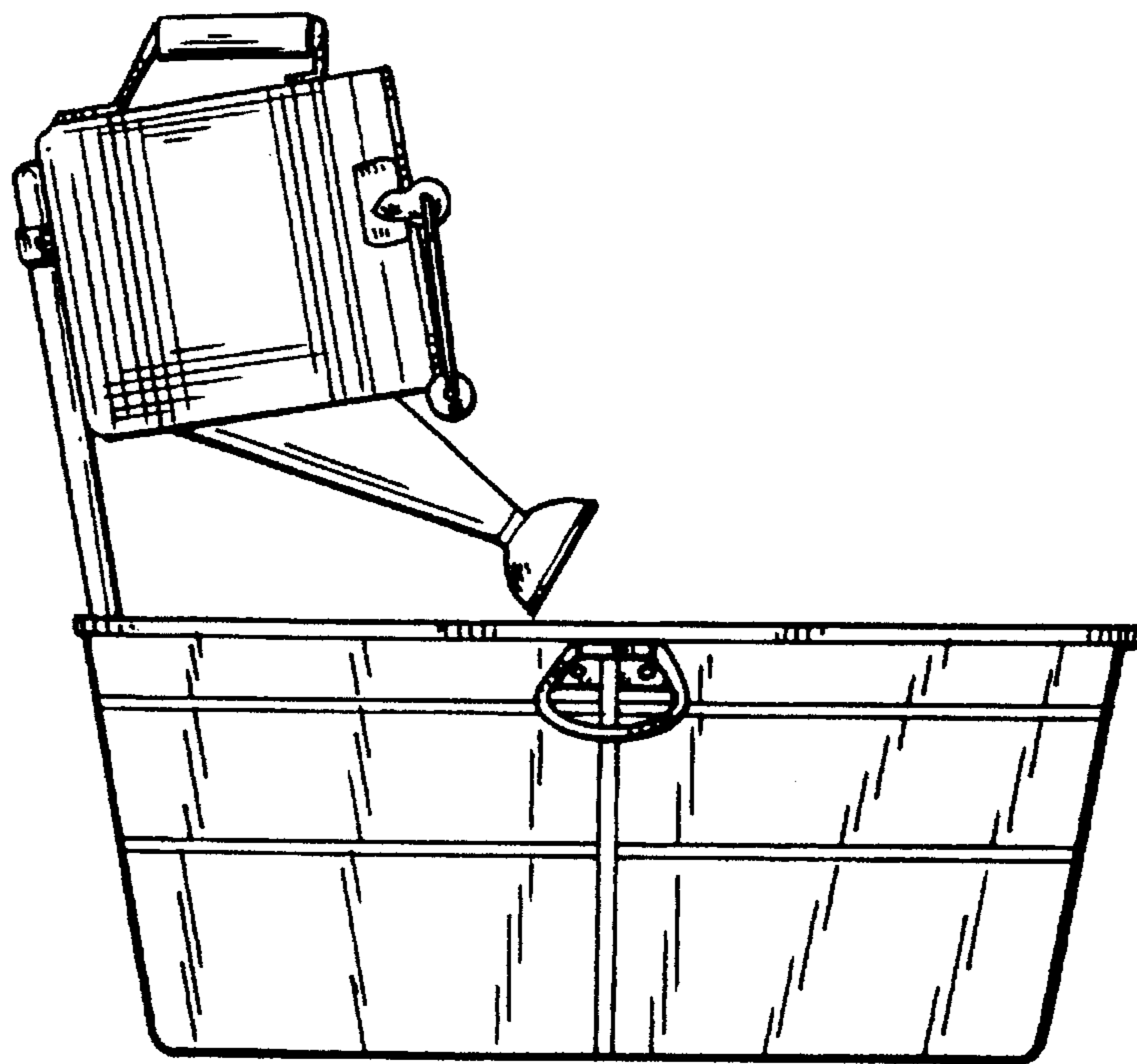


FIG. 4

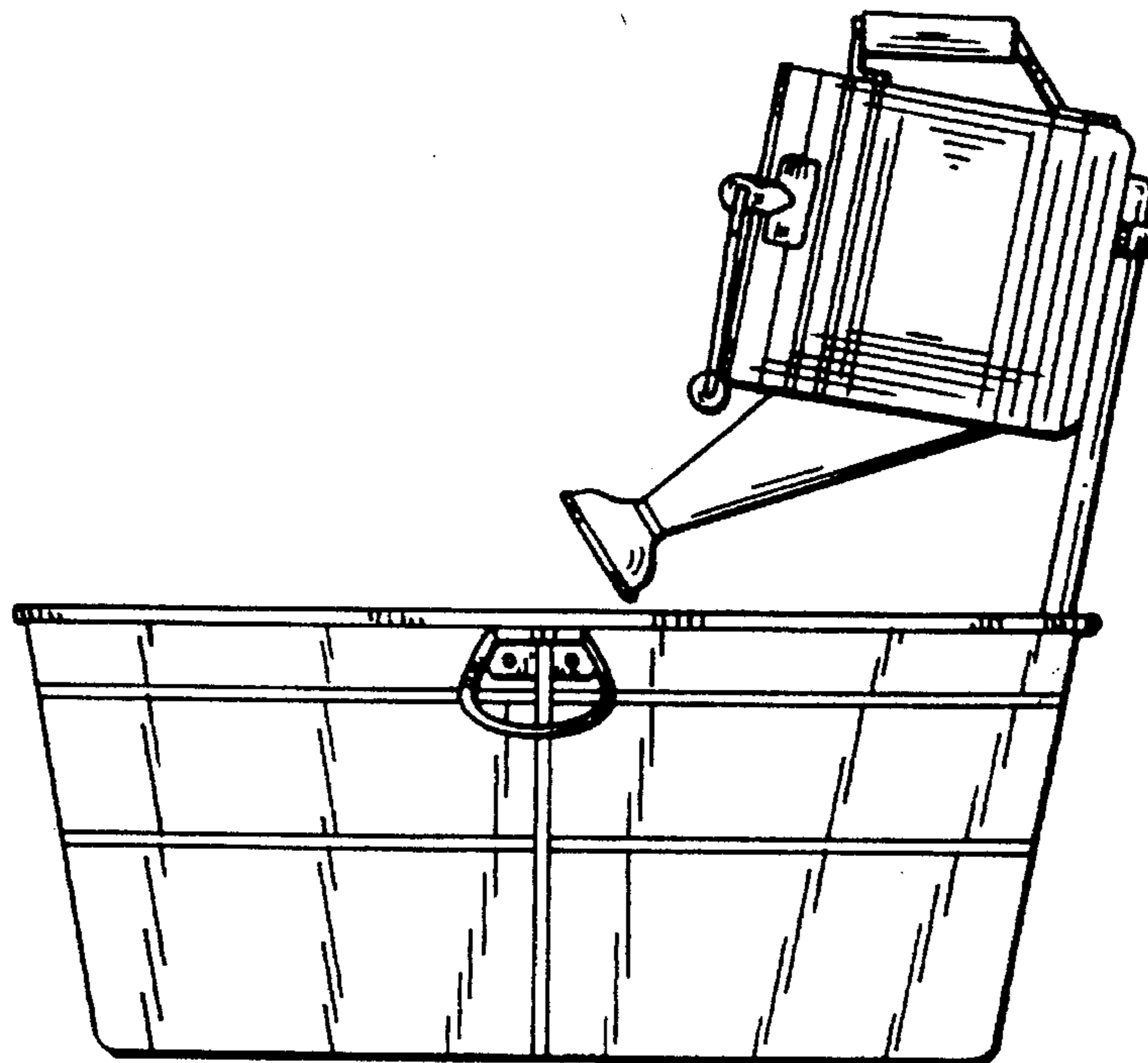


FIG. 5

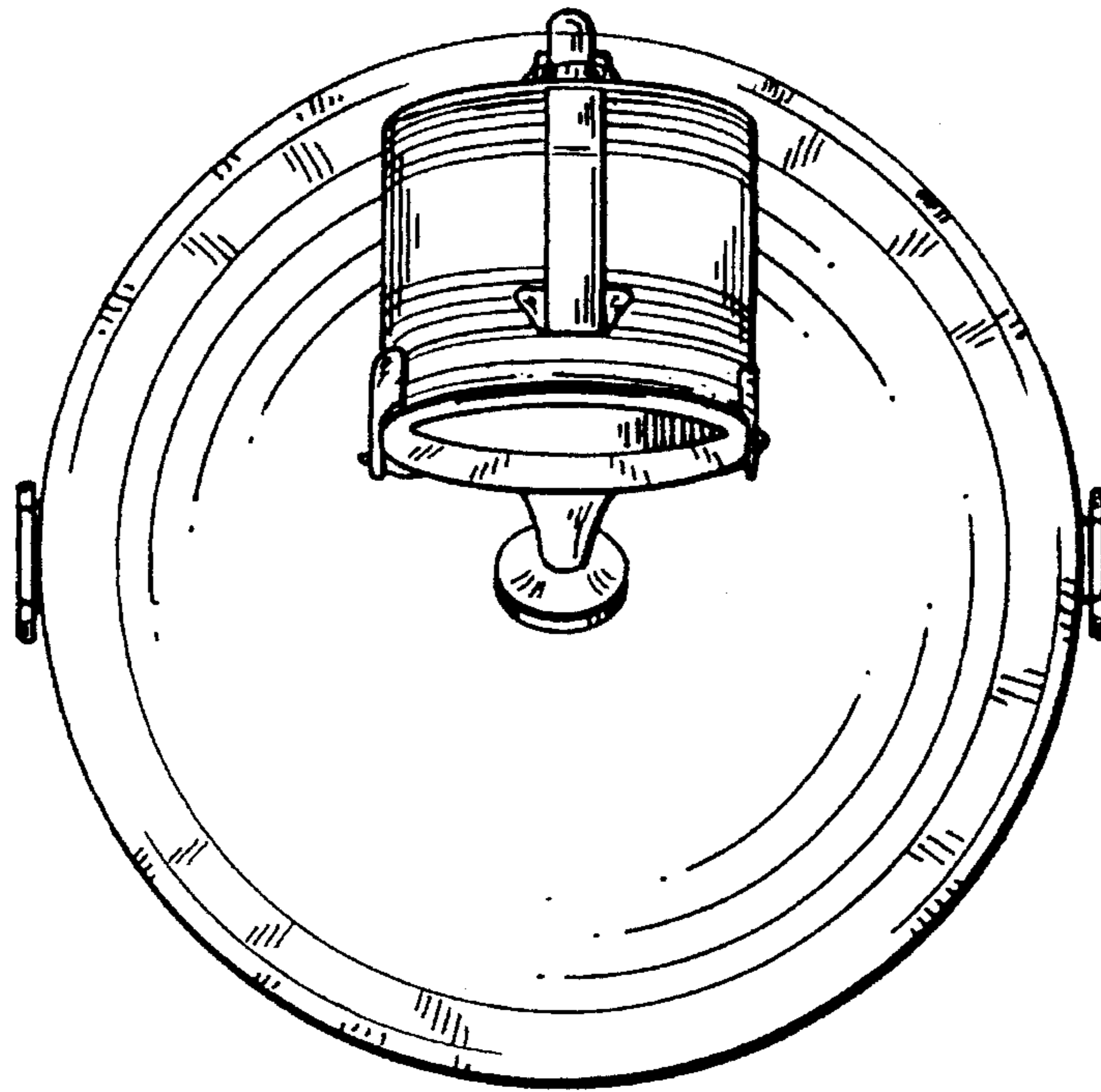


FIG. 6

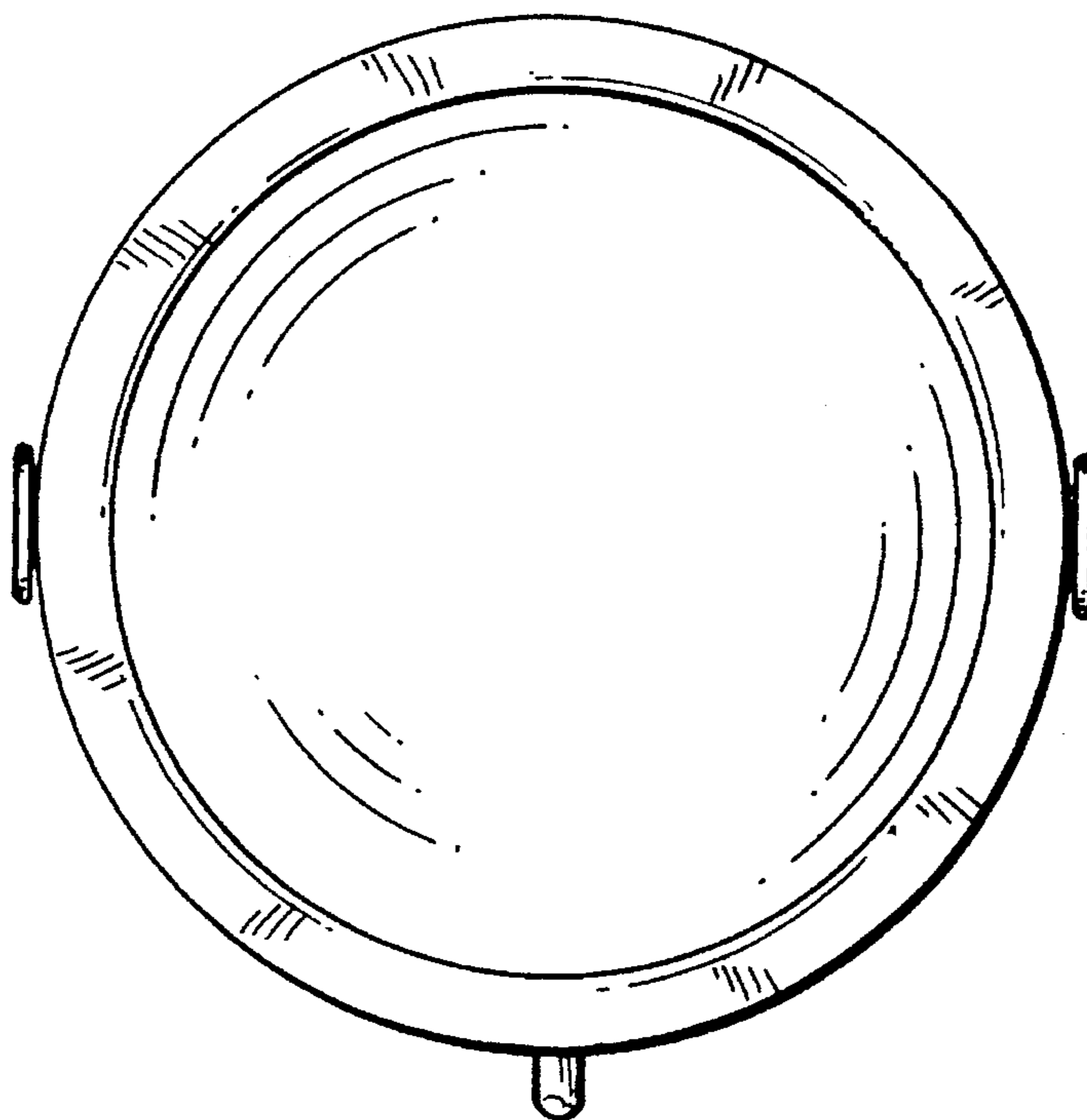


FIG. 7