



US00D373614S

United States Patent [19]

Bevill

[11] Patent Number: **Des. 373,614**

[45] Date of Patent: ****Sep. 10, 1996**

[54] **FISHING LURE CASE**

[76] Inventor: **Stephen L. Bevill**, P.O. Box 44,
Mabank, Tex. 75147

[**] Term: **14 Years**

[21] Appl. No.: **40,204**

[22] Filed: **Jun. 13, 1995**

Related U.S. Application Data

[63] Continuation-in-part of Ser. No. 8,536, May 20, 1993,
abandoned.

[52] U.S. Cl. **D22/139; D3/260**

[58] Field of Search **D22/139, 134;**
D3/260, 905; 43/54.1, 57.1, 25.2, 26, 25;
206/315.11; 224/922

[56] References Cited

U.S. PATENT DOCUMENTS

D. 328,183	7/1992	Harris	D3/260
D. 345,779	4/1994	Baggett et al.	D22/139
4,203,245	5/1980	Peterson	43/25.2
4,452,003	6/1984	Deutsch et al.	43/25.2
5,220,742	6/1993	Lewis	206/315.11

Primary Examiner—Doris V. Coles

Attorney, Agent, or Firm—H. Dennis Kelly; Timmons & Kelly

[57] CLAIM

The ornamental design for a fishing lure case, as shown and described.

DESCRIPTION

FIG. 1 is a perspective view of a fishing lure case, showing my new design;

FIG. 2 is a bottom plan view in the open position;

FIG. 3 is a top plan view thereof;

FIG. 4 is a perspective view with the door raised to the vertical position;

FIG. 5 is a right side elevational view in the closed position;

FIG. 6 is a left side elevational view thereof;

FIG. 7 is a top plan view thereof;

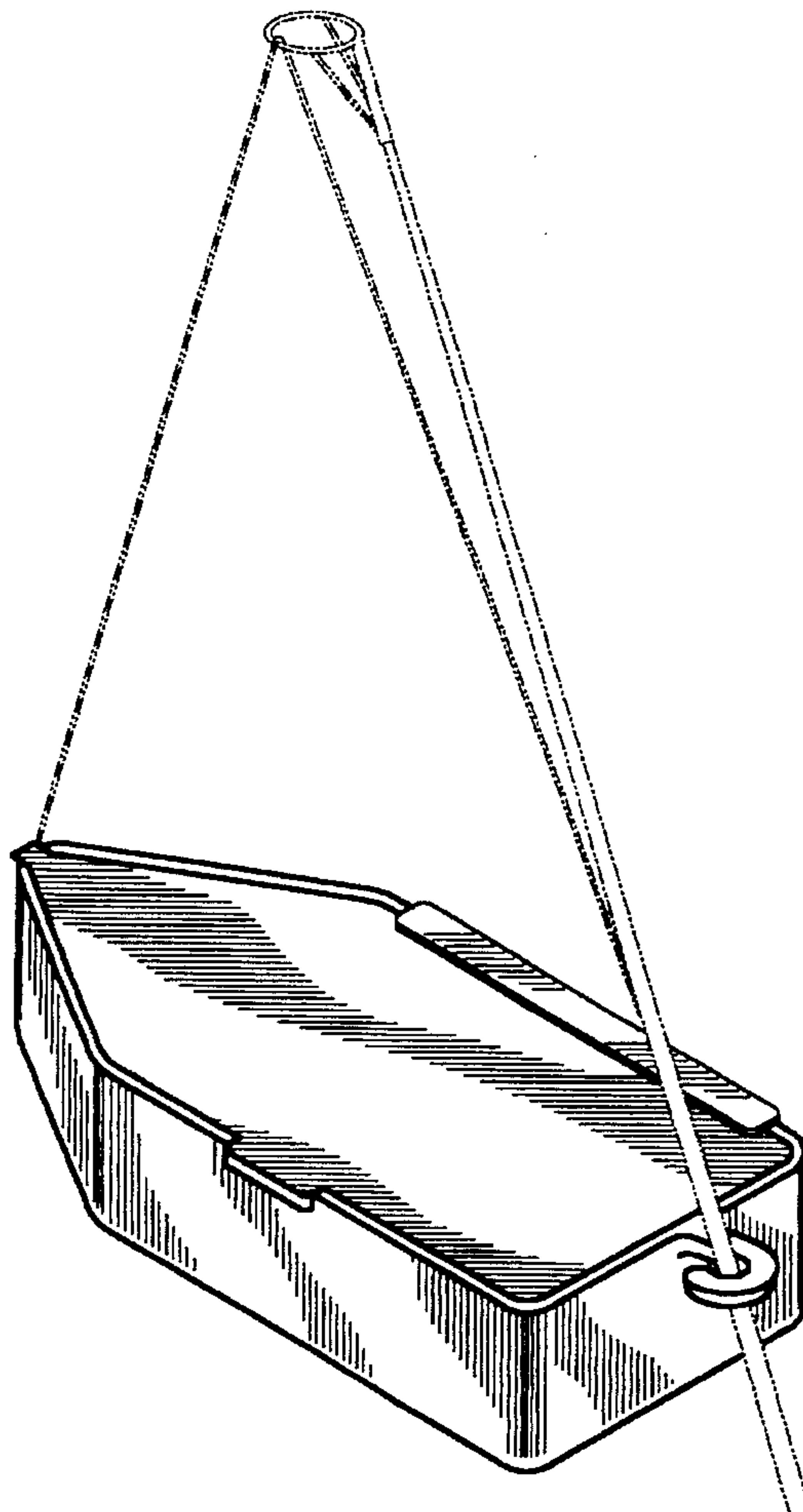
FIG. 8 is a bottom plan view thereof;

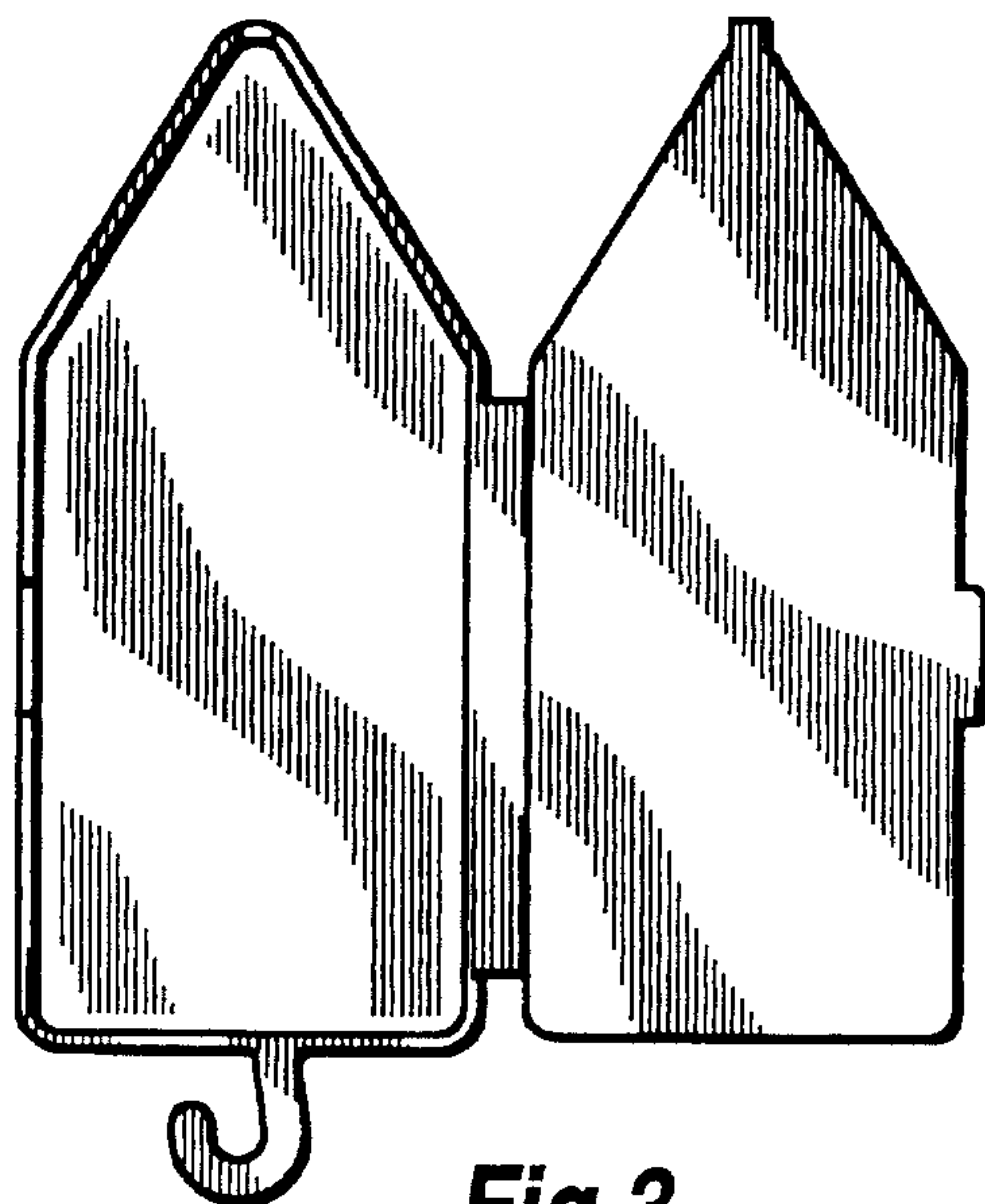
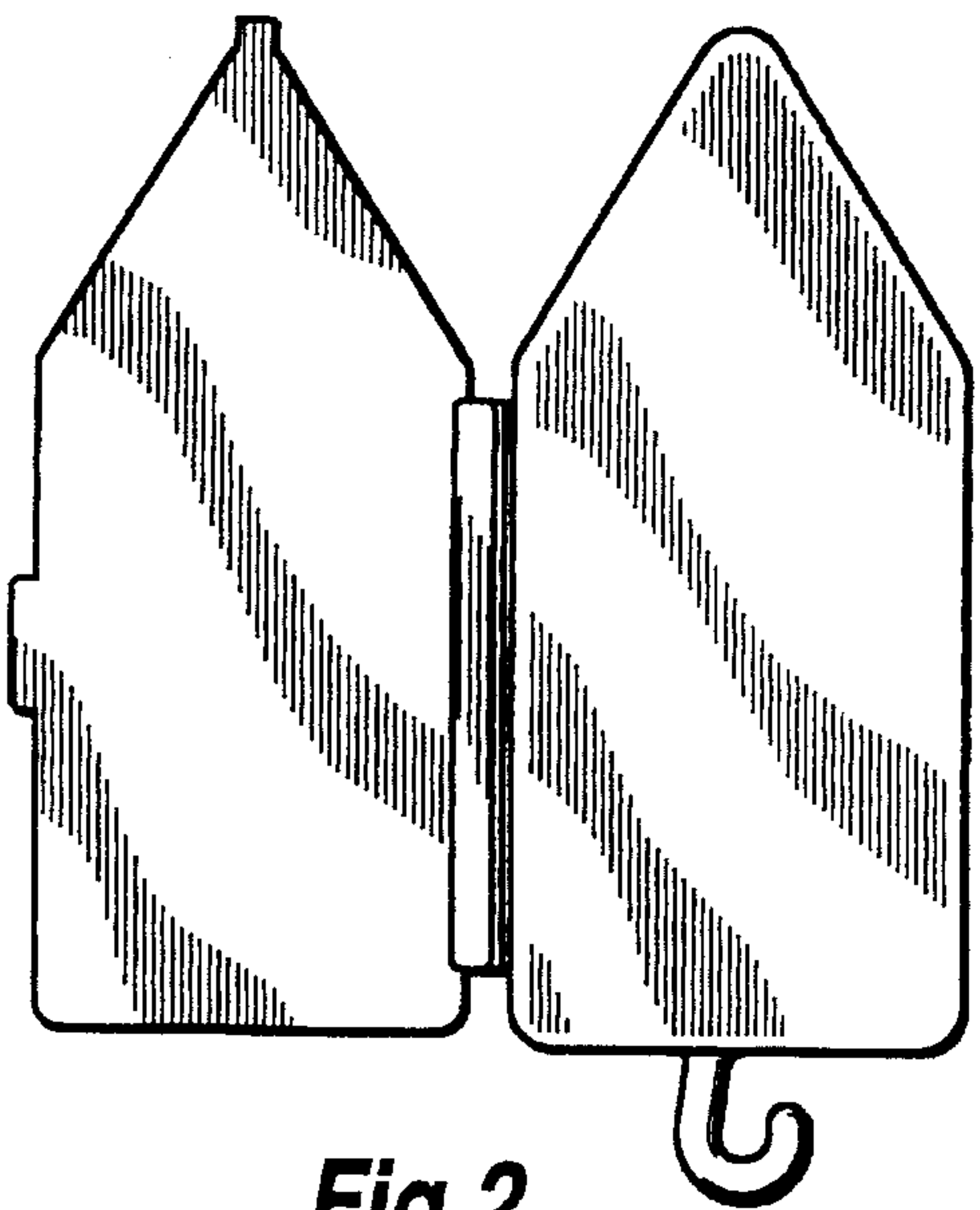
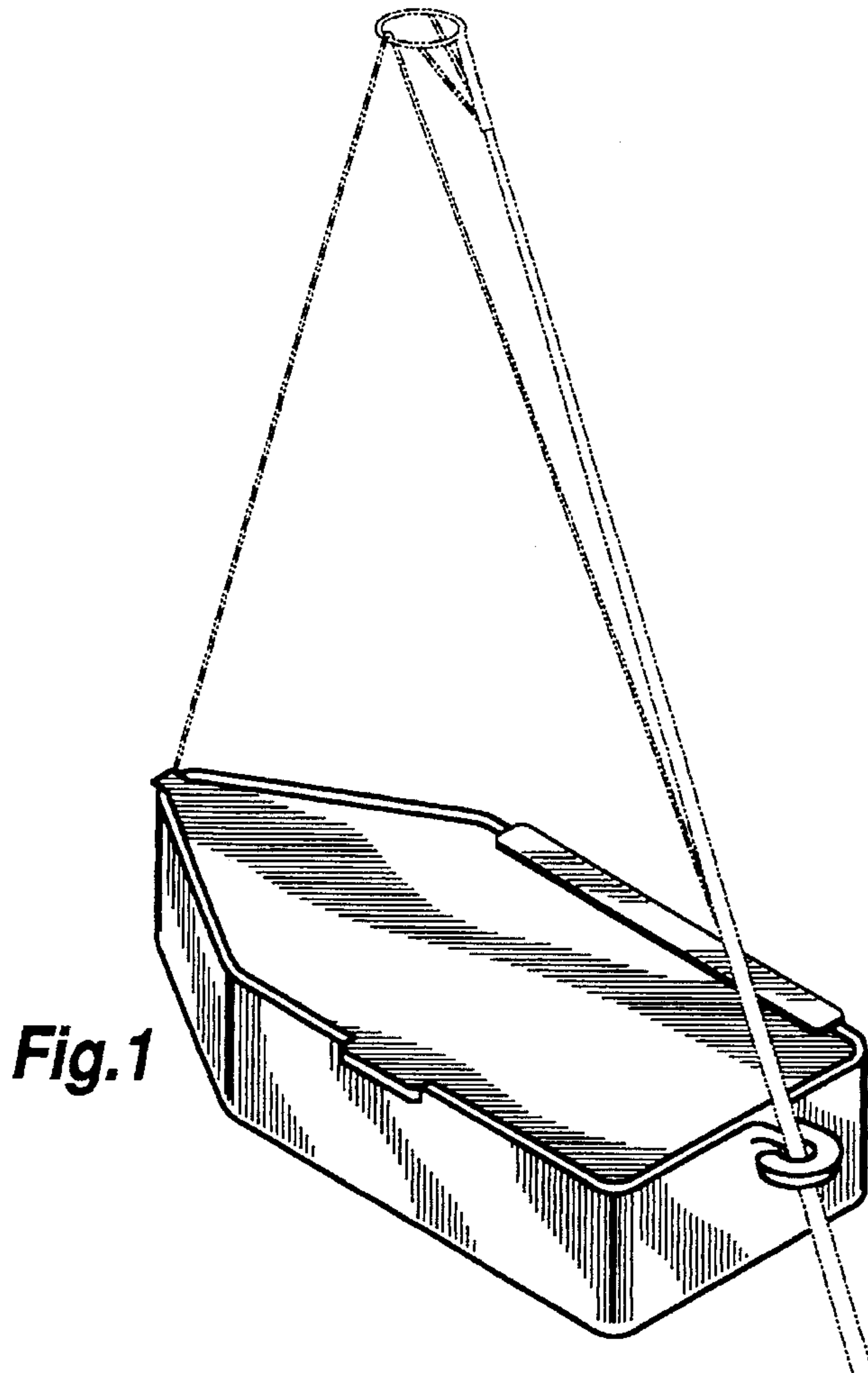
FIG. 9 is a rear elevational view thereof; and,

FIG. 10 is a front elevational view thereof.

The broken line showing of environment in FIG. 1 is for illustrative purposes only and form no part of claimed design.

1 Claim, 2 Drawing Sheets





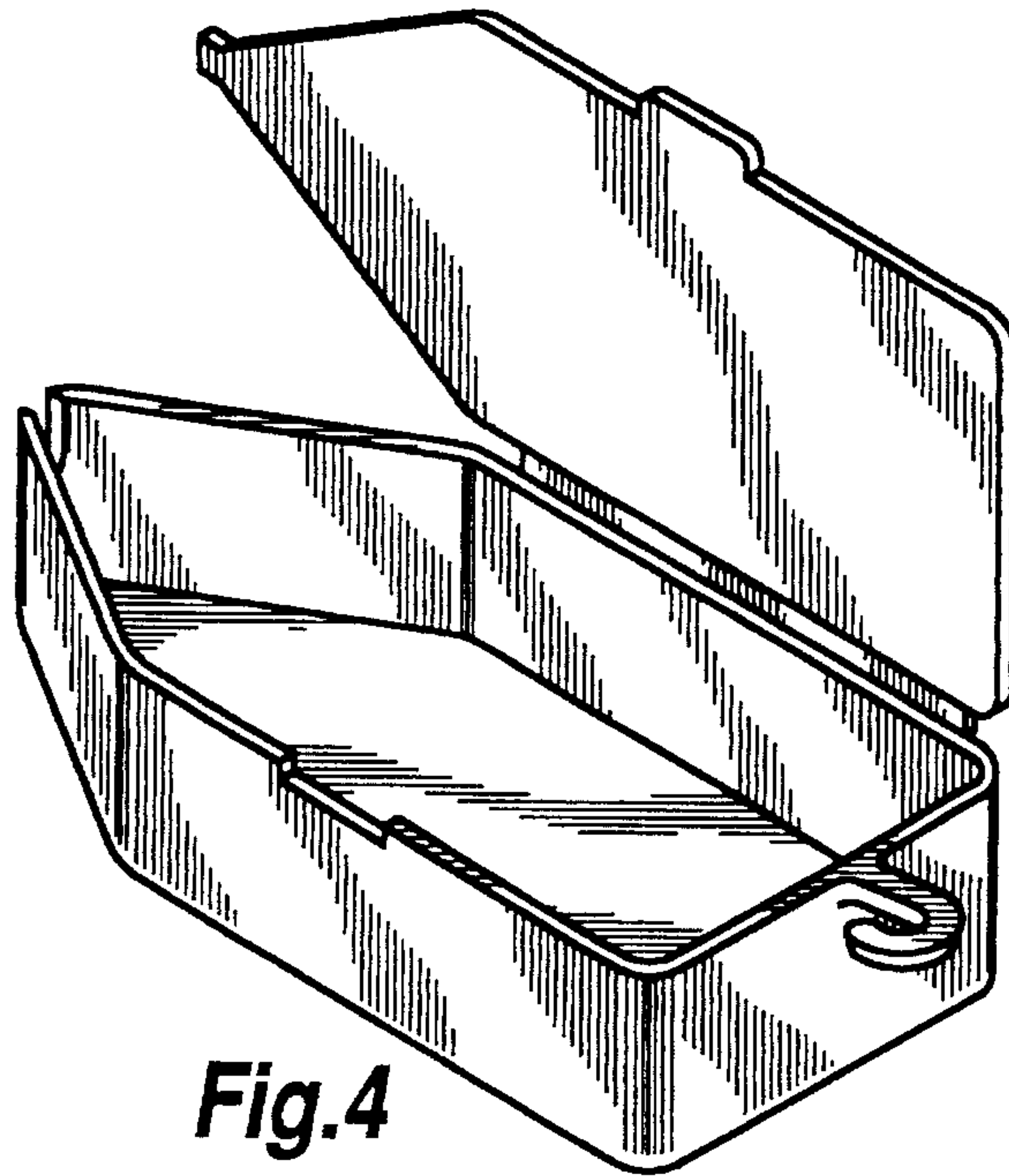


Fig.4

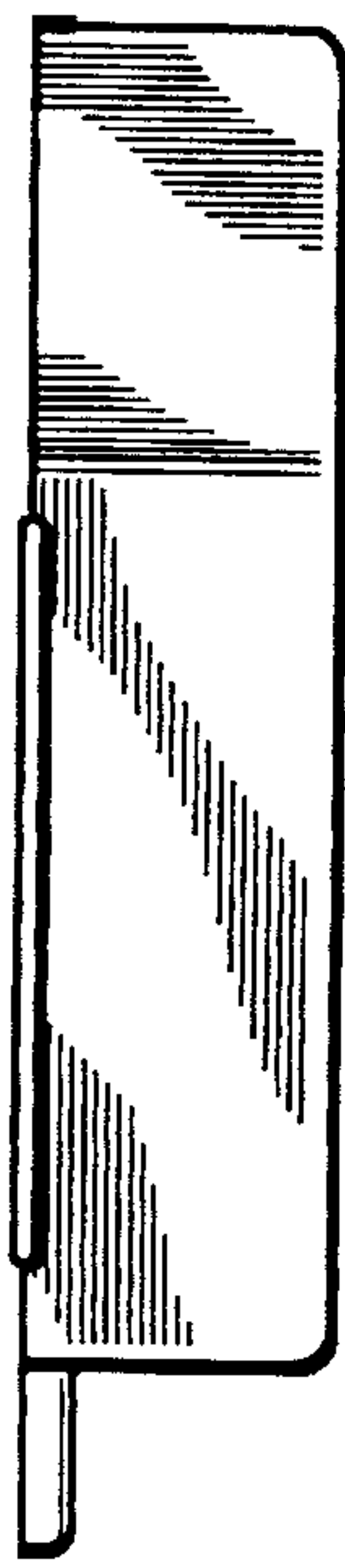


Fig.5

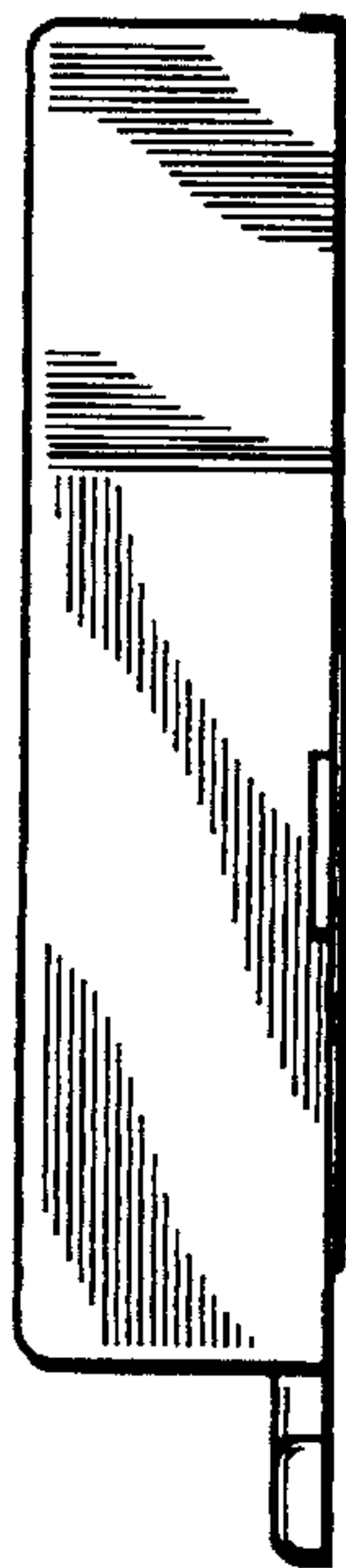


Fig.6

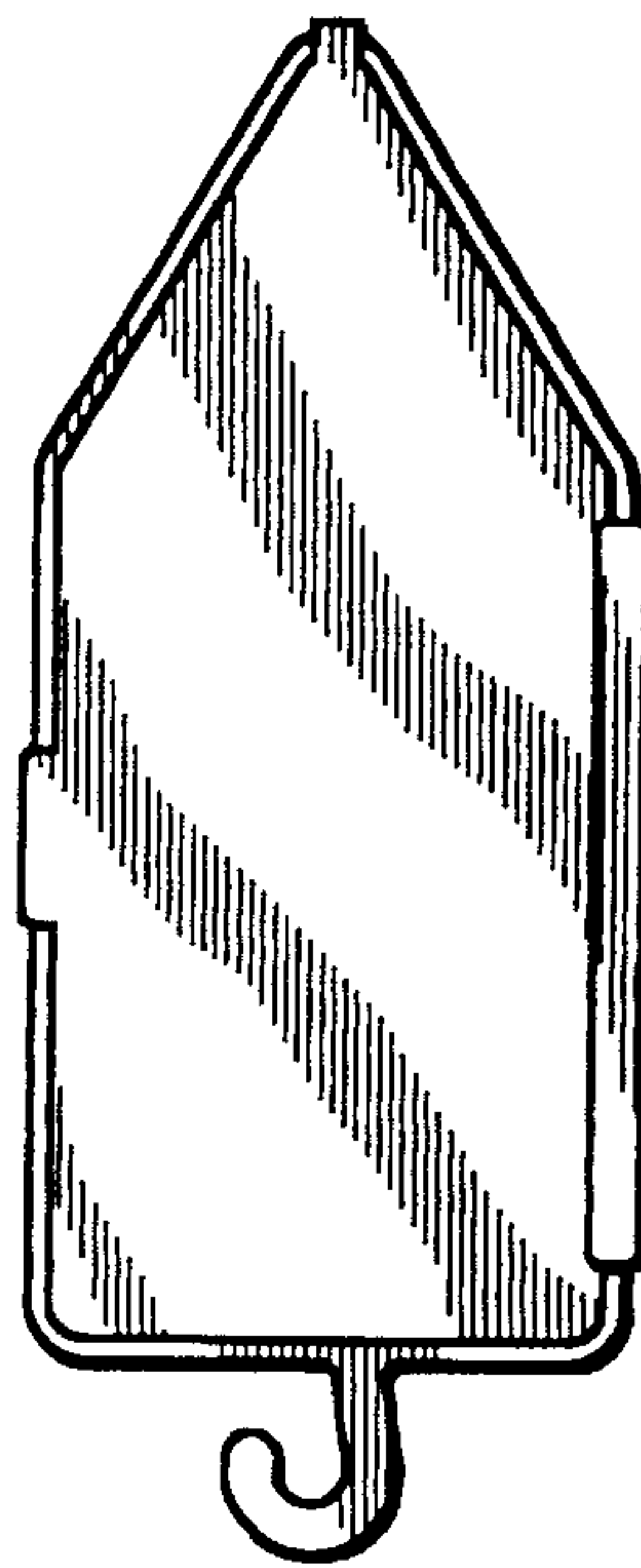


Fig.7

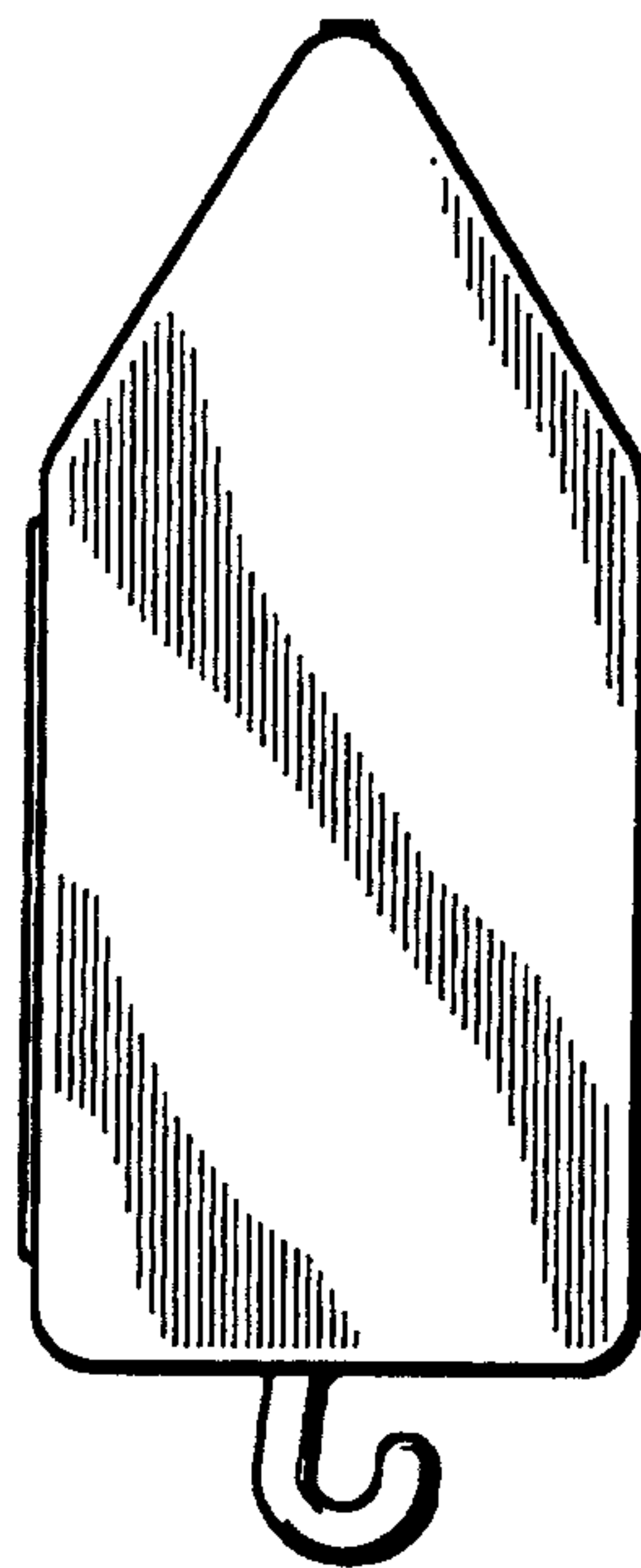


Fig.8

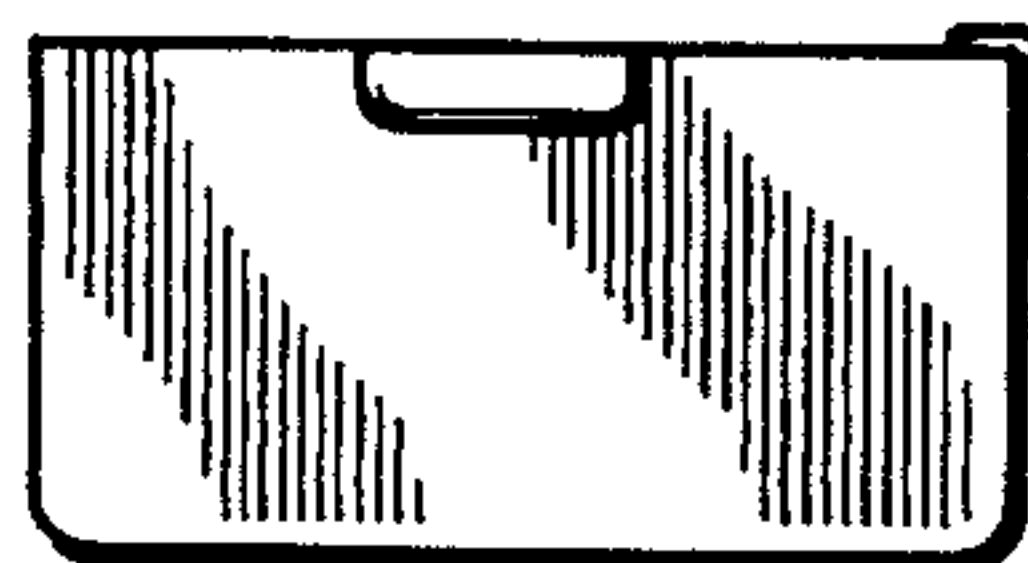


Fig.9

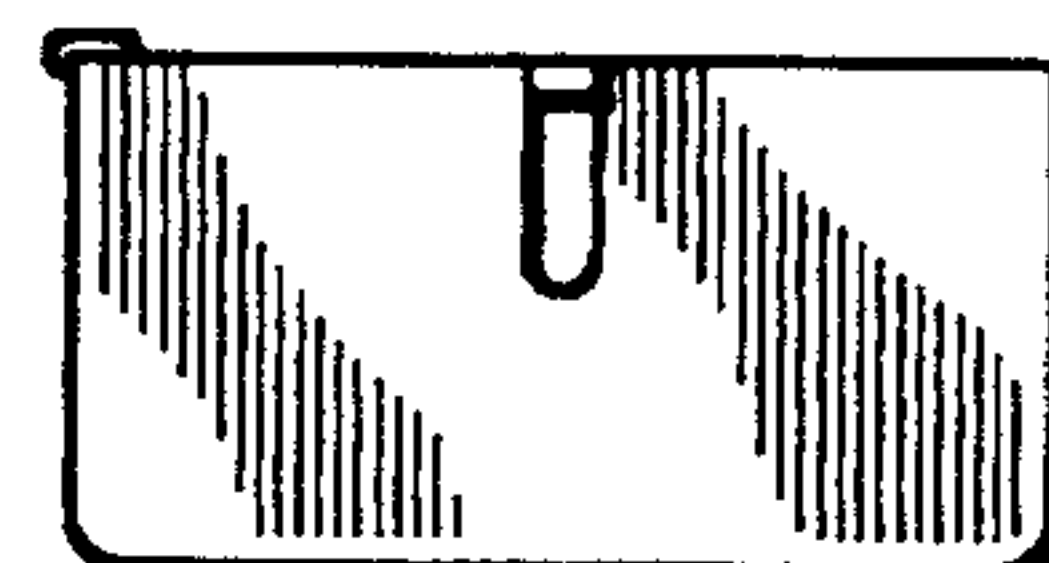


Fig.10