



US00D373609S

United States Patent [19]

Santarsiero et al.

[11] Patent Number: **Des. 373,609**

[45] Date of Patent: ****Sep. 10, 1996**

[54] **ROLLER SKATE**

[75] Inventors: **Paul Santarsiero**, Avon, Conn.;
William L. Goldberg, Newton;
Kenneth W. Graham, Stoneham, both
of Mass.

[73] Assignee: **Hyde Athletic Industries, Inc.**,
Peabody, Mass.

[**] Term: **14 Years**

[21] Appl. No.: **41,979**

[22] Filed: **Jul. 28, 1995**

[52] U.S. Cl. **D21/226**

[58] Field of Search D21/224-227;
280/11.19, 11.12, 11.22, 11.26, 11.27, 87.041.87.042,
87.05, 811, 816; 301/5.3, 5.7, 54

[56] **References Cited**

U.S. PATENT DOCUMENTS

- D. 106,323 10/1937 Norman D21/226
- D. 282,095 1/1986 Robient et al. .
- D. 287,990 1/1987 Klamer .
- D. 288,109 2/1987 Klamer .
- D. 288,225 2/1987 Klamer .
- D. 289,074 3/1987 Klamer .
- D. 315,940 4/1991 Wehmeyer .
- D. 347,237 5/1994 Robient et al. D21/226
- D. 353,429 12/1994 Gay et al. .

- 2,269,362 1/1942 Daniska D21/226
- 3,963,252 6/1976 Carlson .
- 4,553,767 11/1985 Robient et al. .
- 4,932,676 6/1990 Klamer .
- 5,400,484 3/1995 Gay 280/11.19

OTHER PUBLICATIONS

1991, First Rollers, Product No. AD-PS, Playskook, Inc.

Primary Examiner—Raphael Barkai

Attorney, Agent, or Firm—Wolf, Greenfield & Sacks, P.C.

[57] **CLAIM**

The ornamental design for a roller skate, as shown and described.

DESCRIPTION

FIG. 1 is a left side perspective of a roller skate embodying our new design;

FIG. 2 is a left side plan view thereof;

FIG. 3 is a right side plan view thereof;

FIG. 4 is a front plan view thereof;

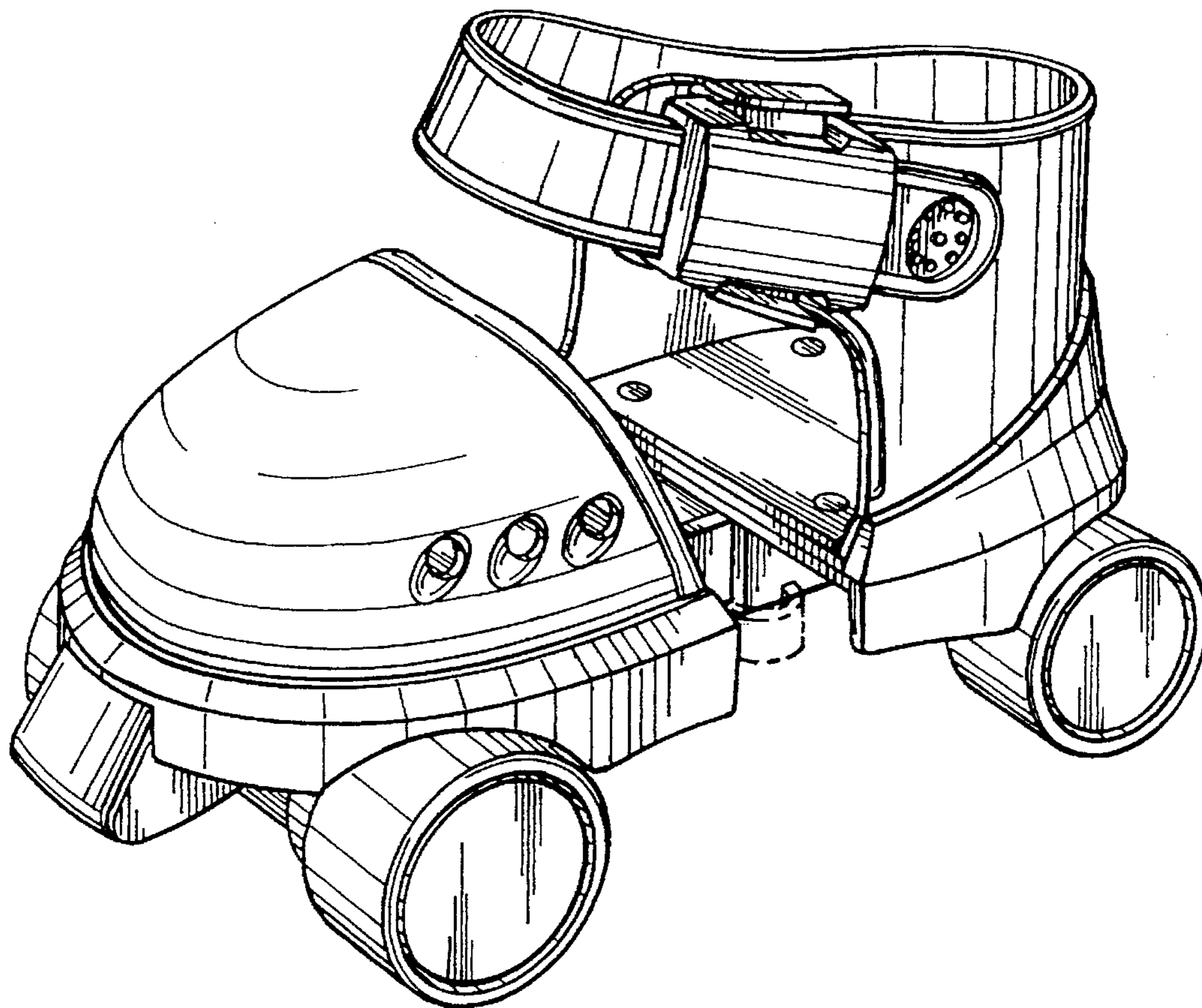
FIG. 5 is a rear plan view thereof;

FIG. 6 is a top side plan view thereof; and,

FIG. 7 is a bottom plan view thereof.

The broken line showing of the elements on the underside of the skate in FIGS. 1, 2, 3 and 7 is for illustrative purposes only and forms no part of the claimed design.

1 Claim, 3 Drawing Sheets



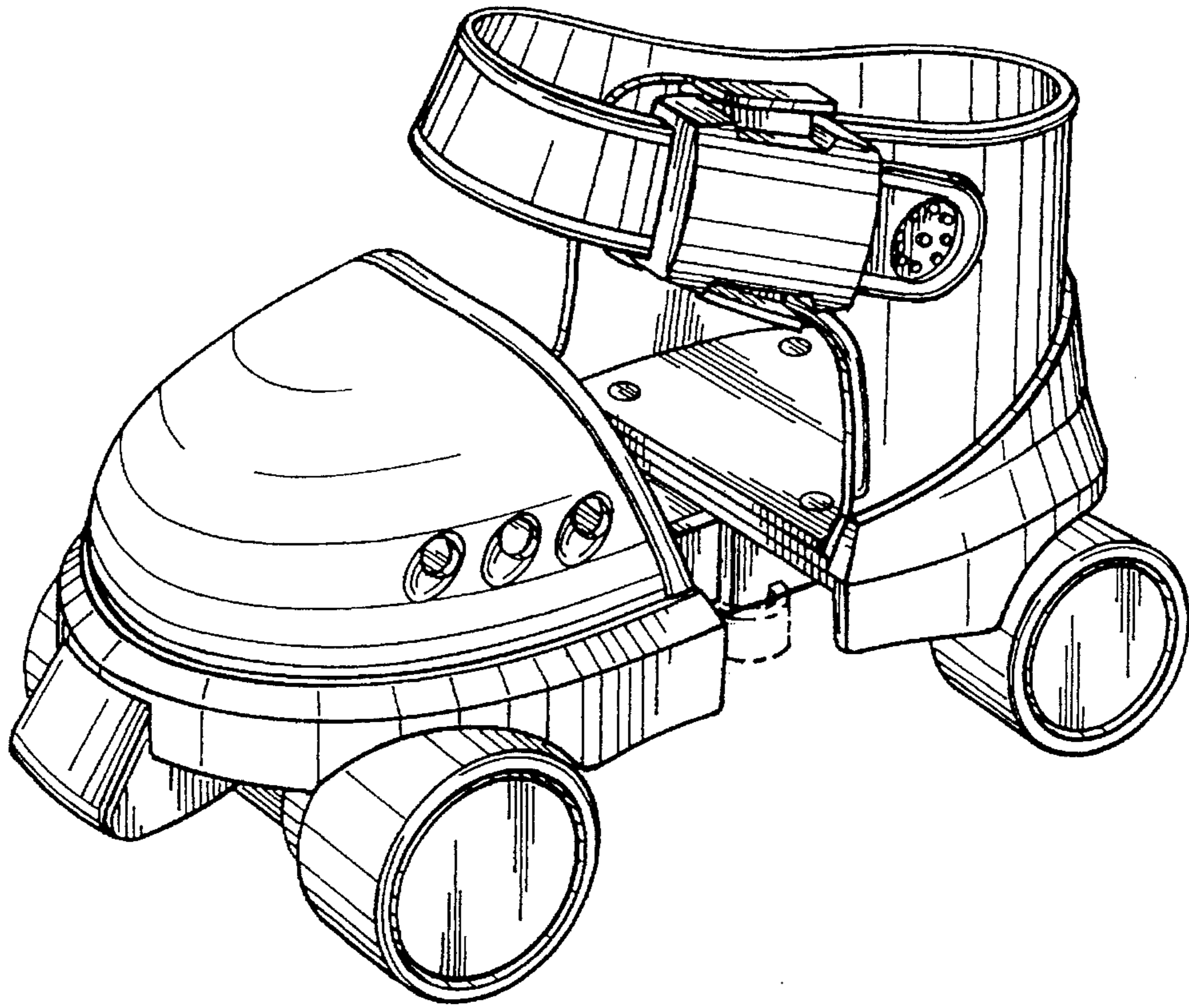


Fig. 1

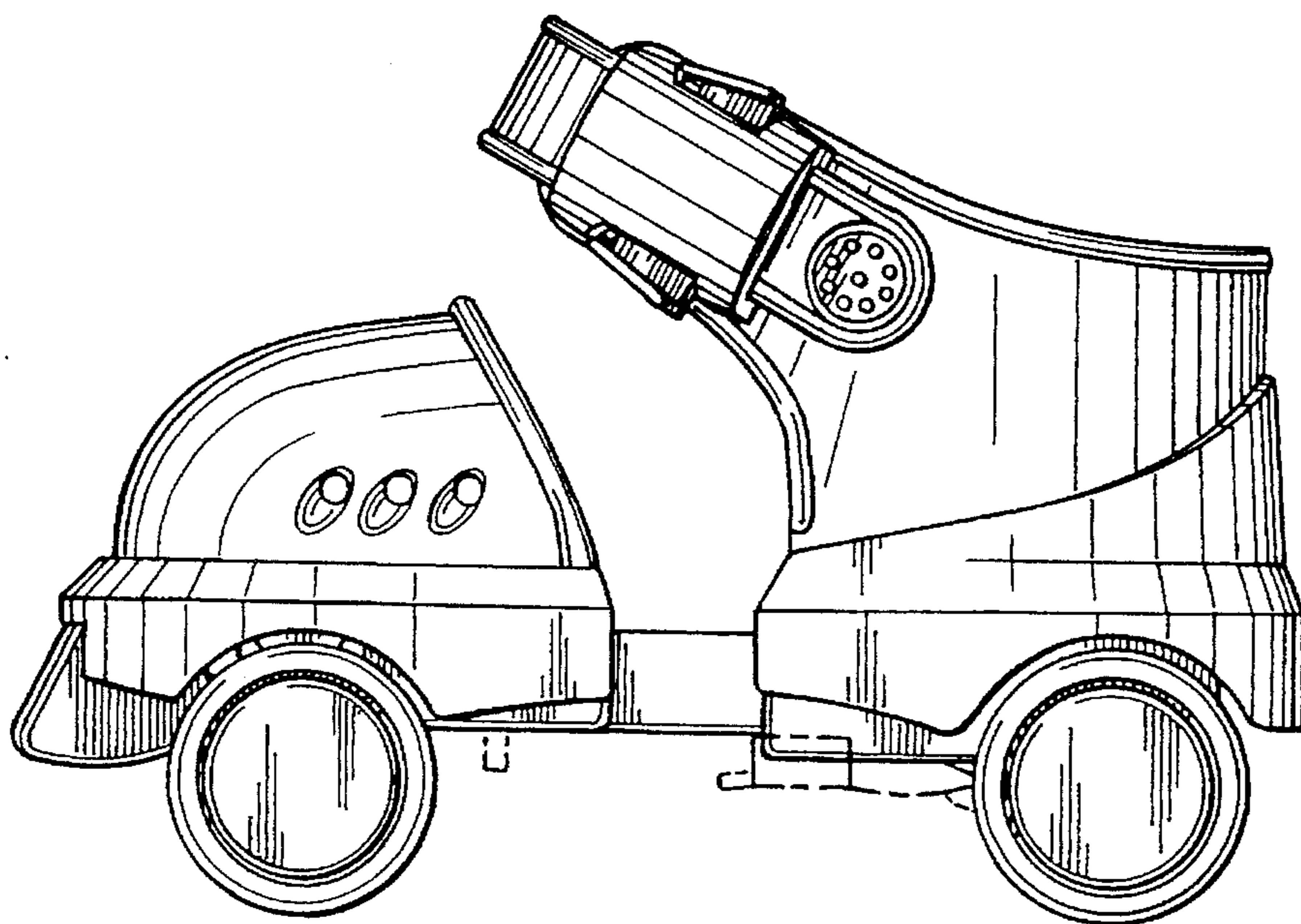


Fig. 2

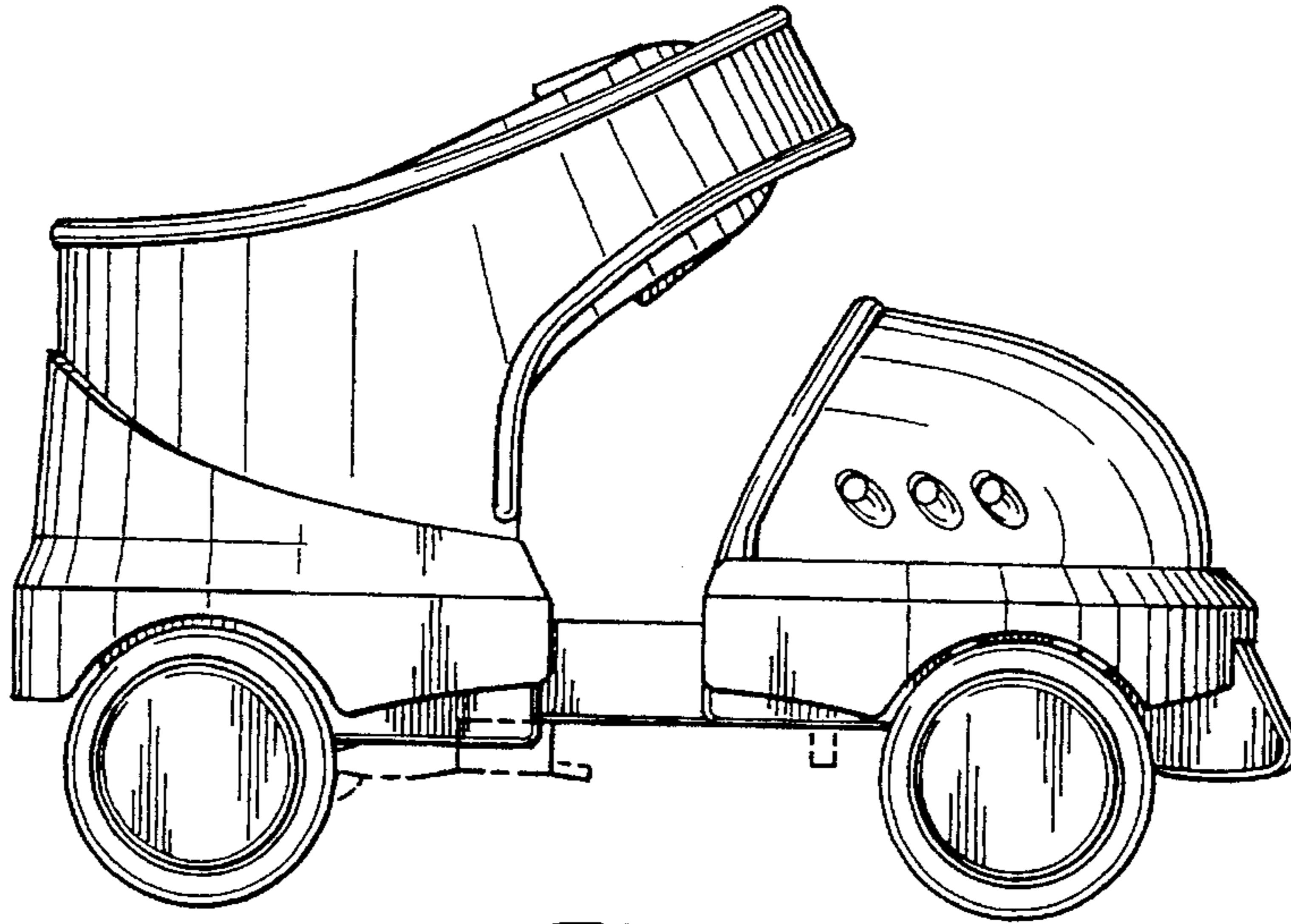


Fig. 3

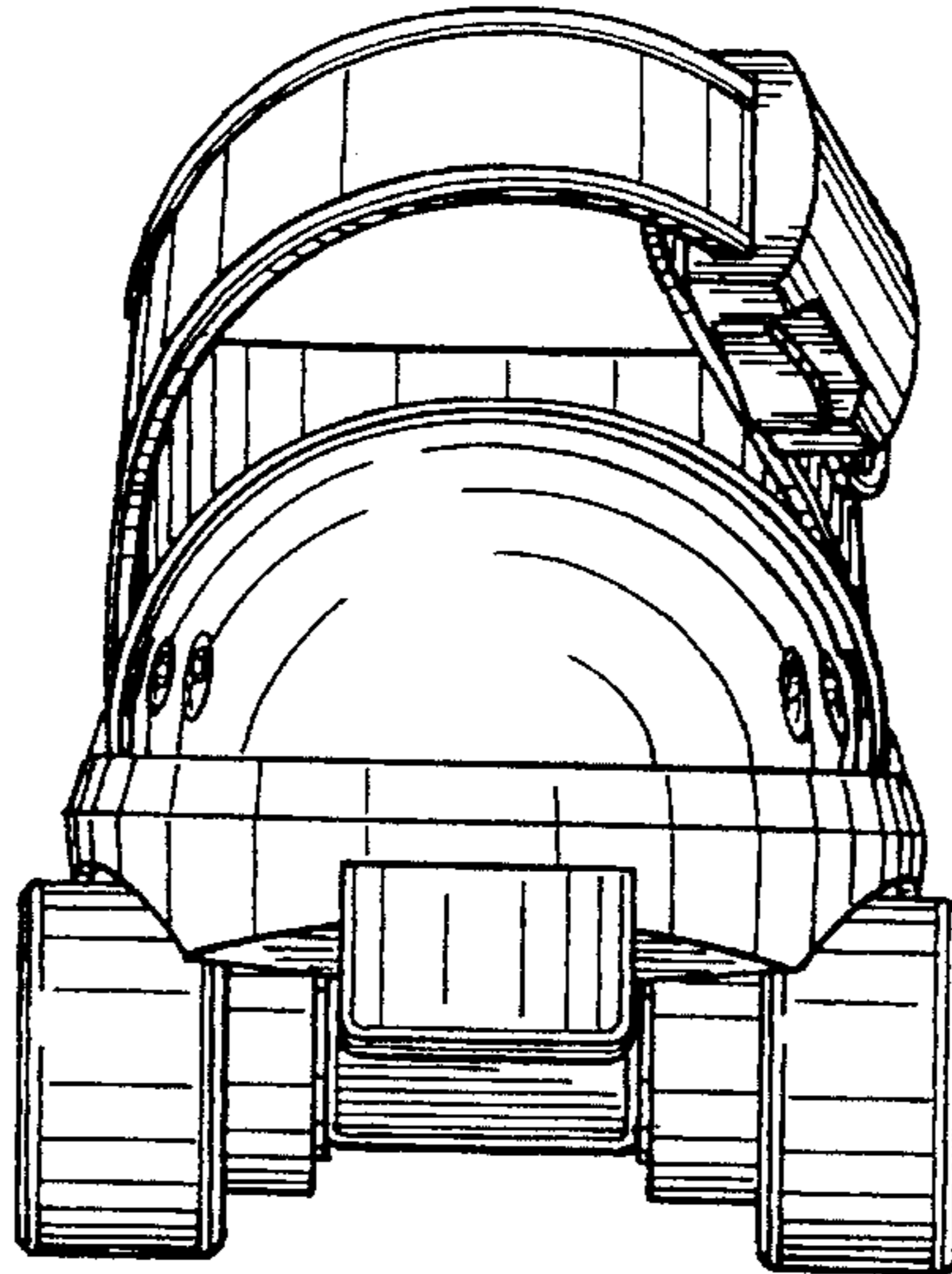


Fig. 4

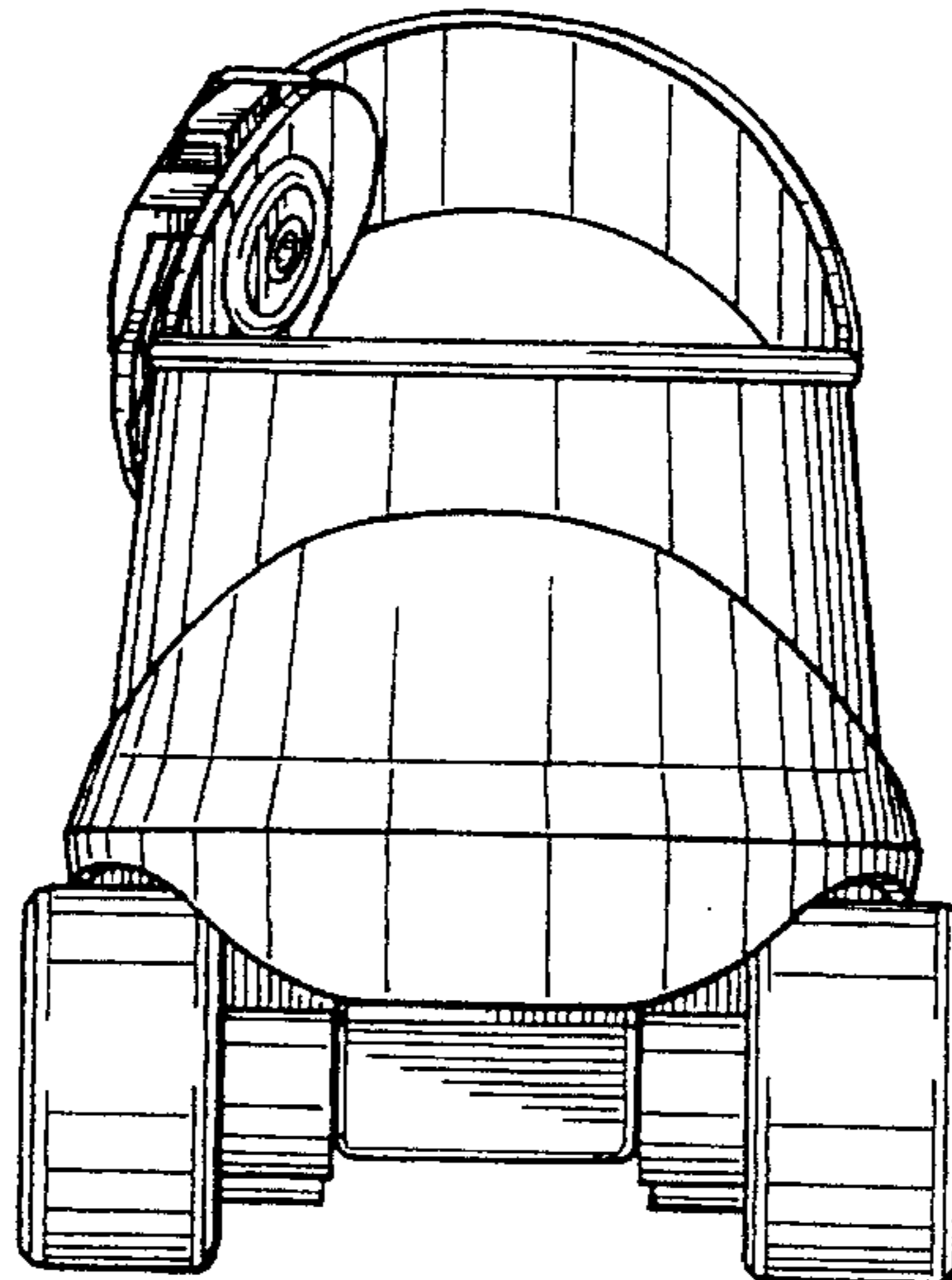


Fig. 5

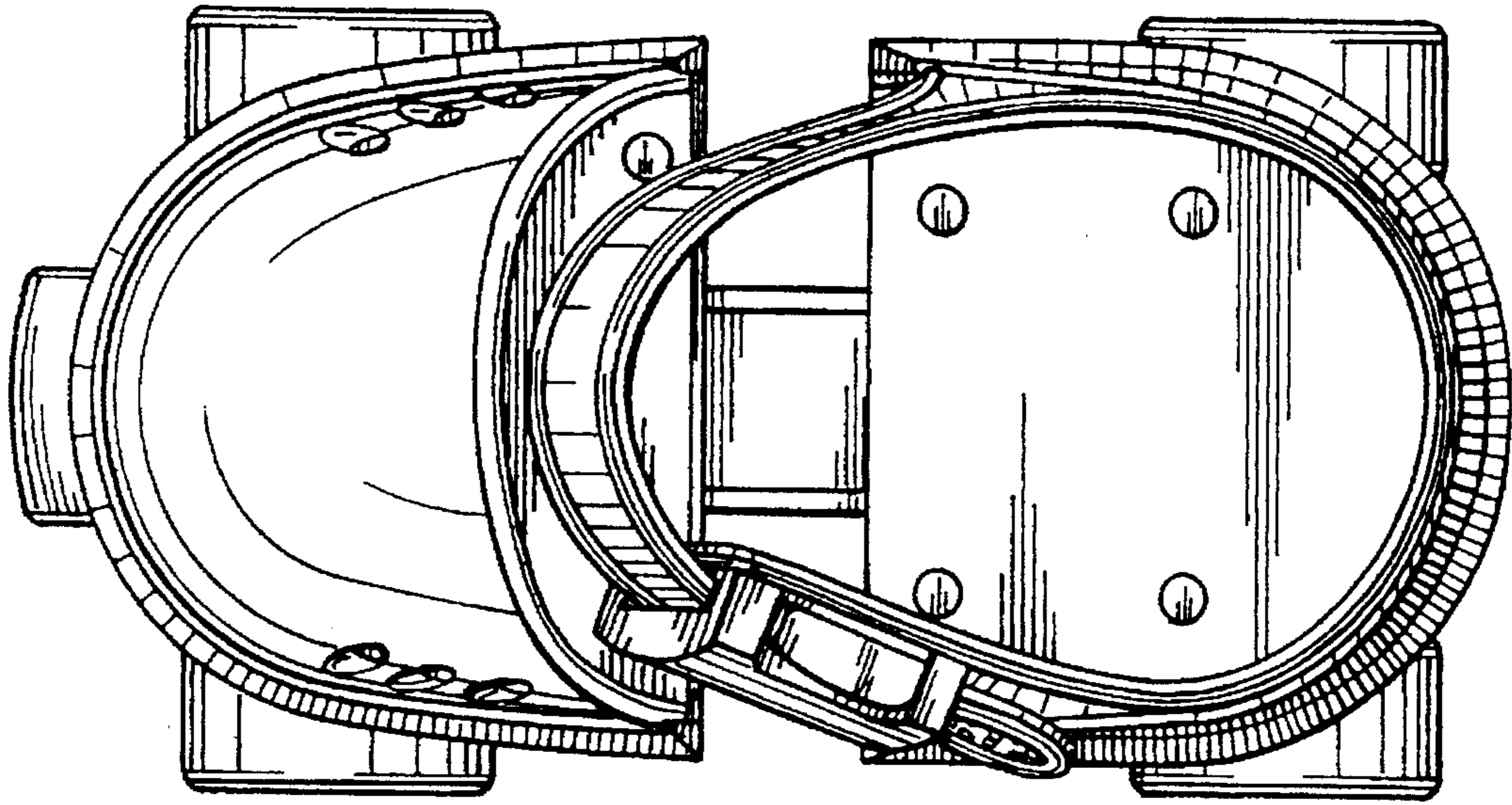


Fig. 6

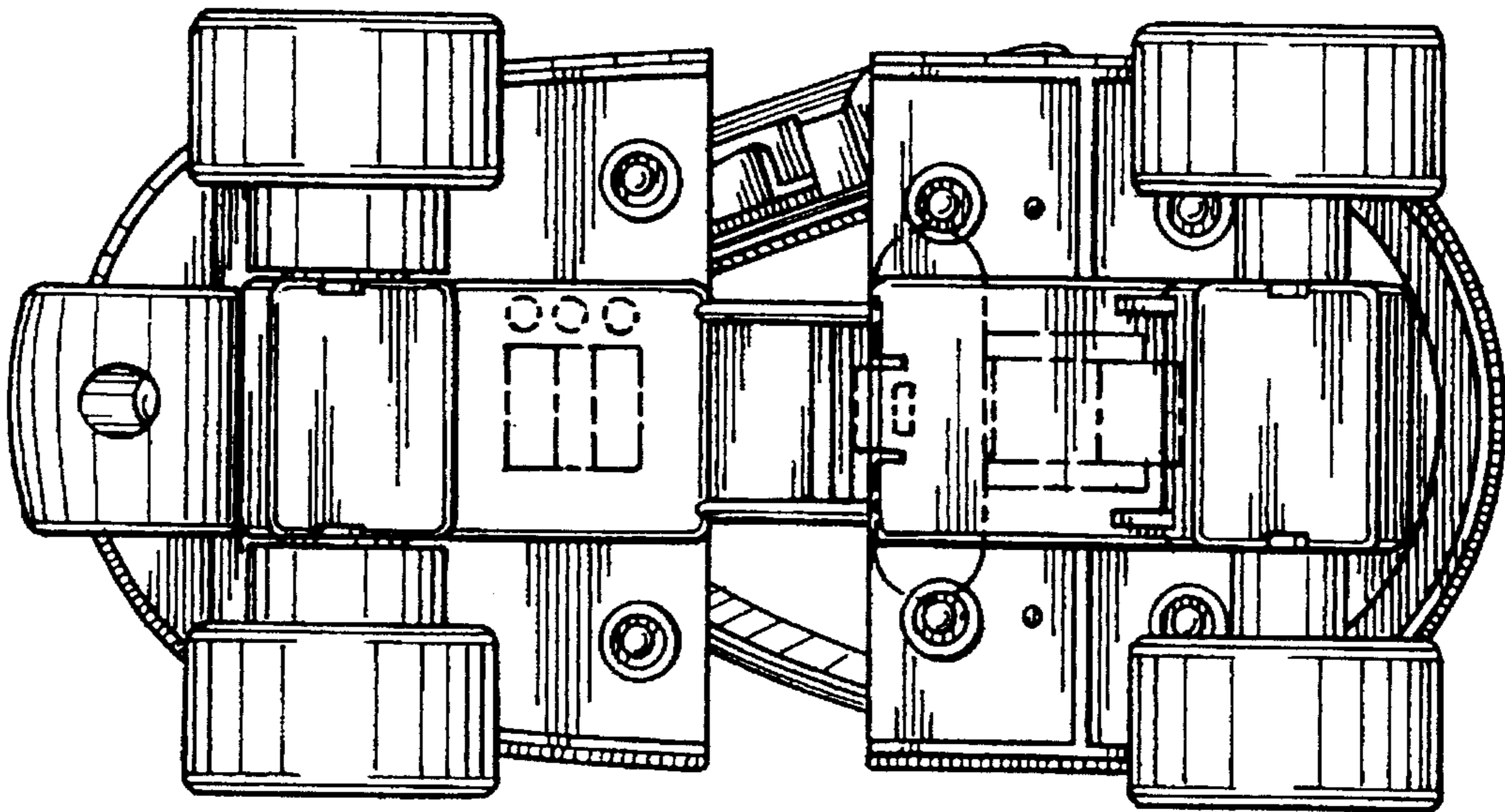


Fig. 7