



US00D373608S

United States Patent [19]

Summers et al.

[11] Patent Number: Des. 373,608

[45] Date of Patent: **Sep. 10, 1996

[54] EXERCISE MACHINE

[75] Inventors: **Georgene Summers**, Beverly Hills;
Mitchell A. Rothstein, W. Hollywood,
both of Calif.

[73] Assignee: **American Fitness Products, Inc.**, Los
Angeles, Calif.

[**] Term: **14 Years**

[21] Appl. No.: **11,953**

[22] Filed: **Aug. 18, 1993**

[52] U.S. Cl. **D21/195; D21/191**

[58] Field of Search **D21/191, 195;**
482/100, 121, 122, 123, 131, 132, 133,
137, 138

[56] **References Cited**

U.S. PATENT DOCUMENTS

D. 237,634	11/1975	Ricketts .	
D. 263,160	2/1982	Blackmon	D21/195
D. 299,257	1/1989	Naboshek	D21/191
D. 315,935	4/1991	Wilson et al.	D21/191
1,705,745	4/1929	Anderson .	
3,563,542	2/1971	Wellman .	
3,784,195	1/1974	Johnson .	
4,129,297	12/1978	Dolan	482/123
4,157,179	6/1979	Ecklor, Jr. .	
4,461,474	7/1984	Retzlaff	482/123
4,492,376	1/1985	Schatz et al. .	
4,509,747	4/1985	Martin	482/905
4,603,857	8/1986	Chipman et al.	482/905
4,609,193	9/1986	Paris et al.	482/142
4,666,152	5/1987	Jones	482/92
4,749,286	6/1988	White	482/137
4,754,964	7/1988	Michaels	482/905

4,834,396	5/1989	Schnell	482/137
4,846,486	7/1989	McCoy, Sr. et al.	482/905
4,856,775	8/1989	Colledge et al. .	
5,067,708	11/1991	Oschansky et al.	482/137
5,074,551	12/1991	Olschansky et al.	482/137
5,087,038	2/1992	Hao et al.	482/905
5,108,094	4/1992	Quinn et al. .	
5,152,732	10/1992	Sayre	482/133
5,184,994	2/1993	Morris et al.	482/129
5,215,511	6/1993	Cheng .	

FOREIGN PATENT DOCUMENTS

289896 8/1964 Australia .

Primary Examiner—Prabhakar G. Deshmukh

Assistant Examiner—Philip Hyder

Attorney, Agent, or Firm—Poms, Smith, Lande & Rose, P.C.

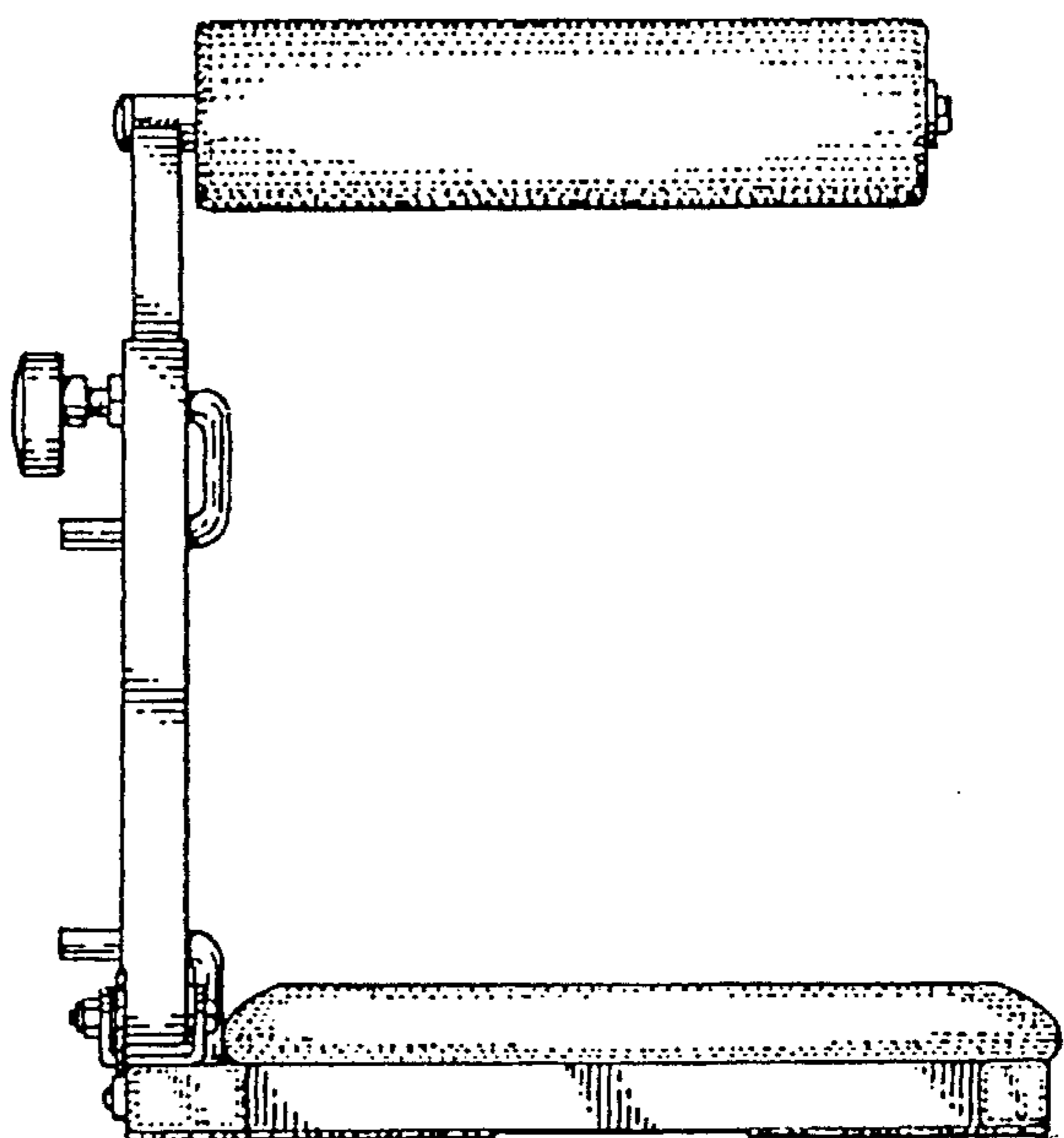
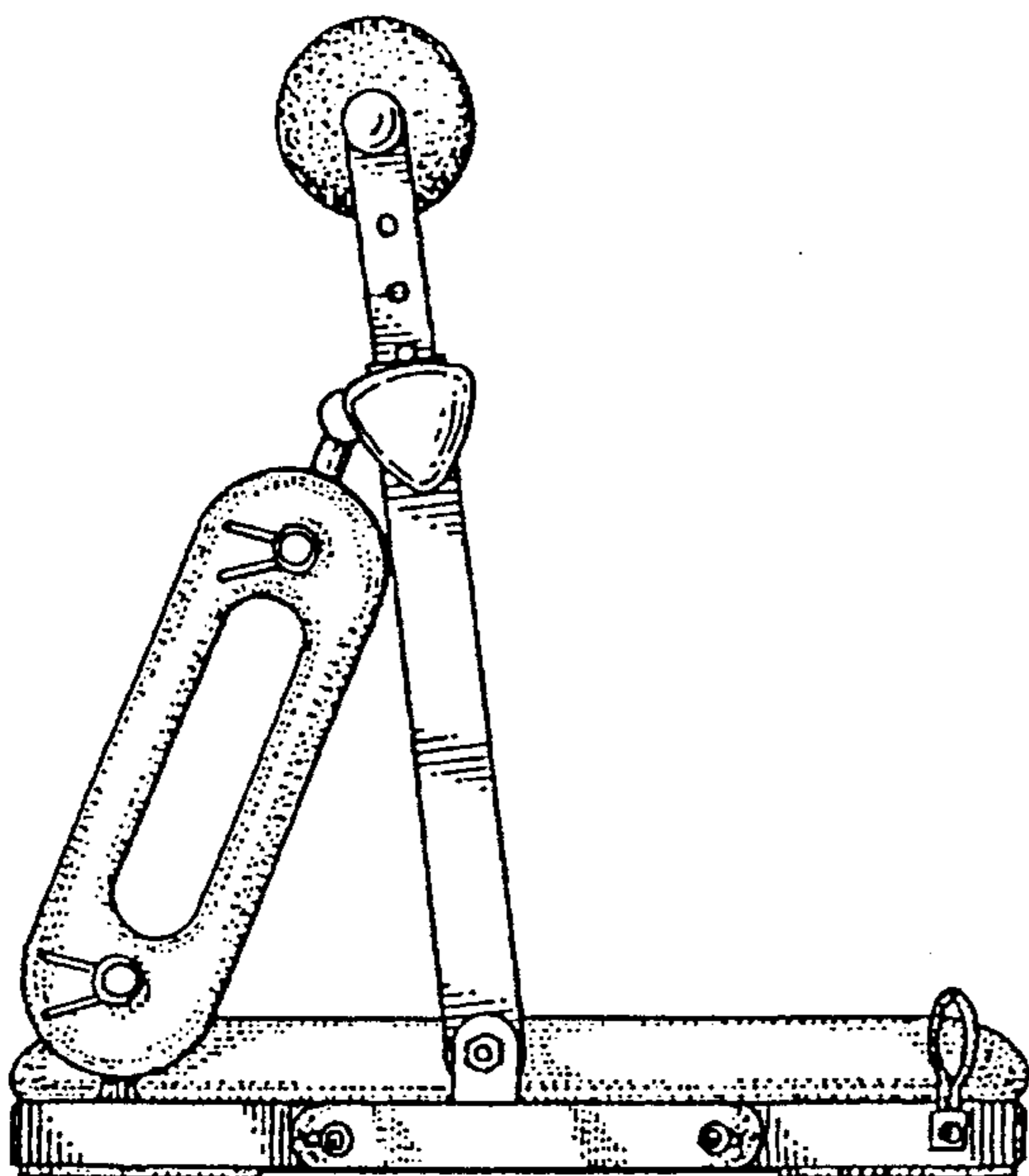
[57] **CLAIM**

The ornamental design for an exercise machine, as shown.

DESCRIPTION

FIG. 1 is a front elevational view of an exercise machine;
 FIG. 2 is a right side view taken from FIG. 1;
 FIG. 3 is a left side view taken from FIG. 1;
 FIG. 4 is a top view taken from FIG. 1;
 FIG. 5 is a bottom view thereof;
 FIG. 6 is a rear elevational view taken from FIG. 1;
 FIG. 7 is a top view of the exercise machine in a compact
 collapsed configuration;
 FIG. 8 is a bottom view thereof;
 FIG. 9 is a front elevational view taken from FIG. 7;
 FIG. 10 is a rear elevational view thereof;
 FIG. 11 is a right side view taken from FIG. 9; and,
 FIG. 12 is a left side view taken from FIG. 9.

1 Claim, 2 Drawing Sheets



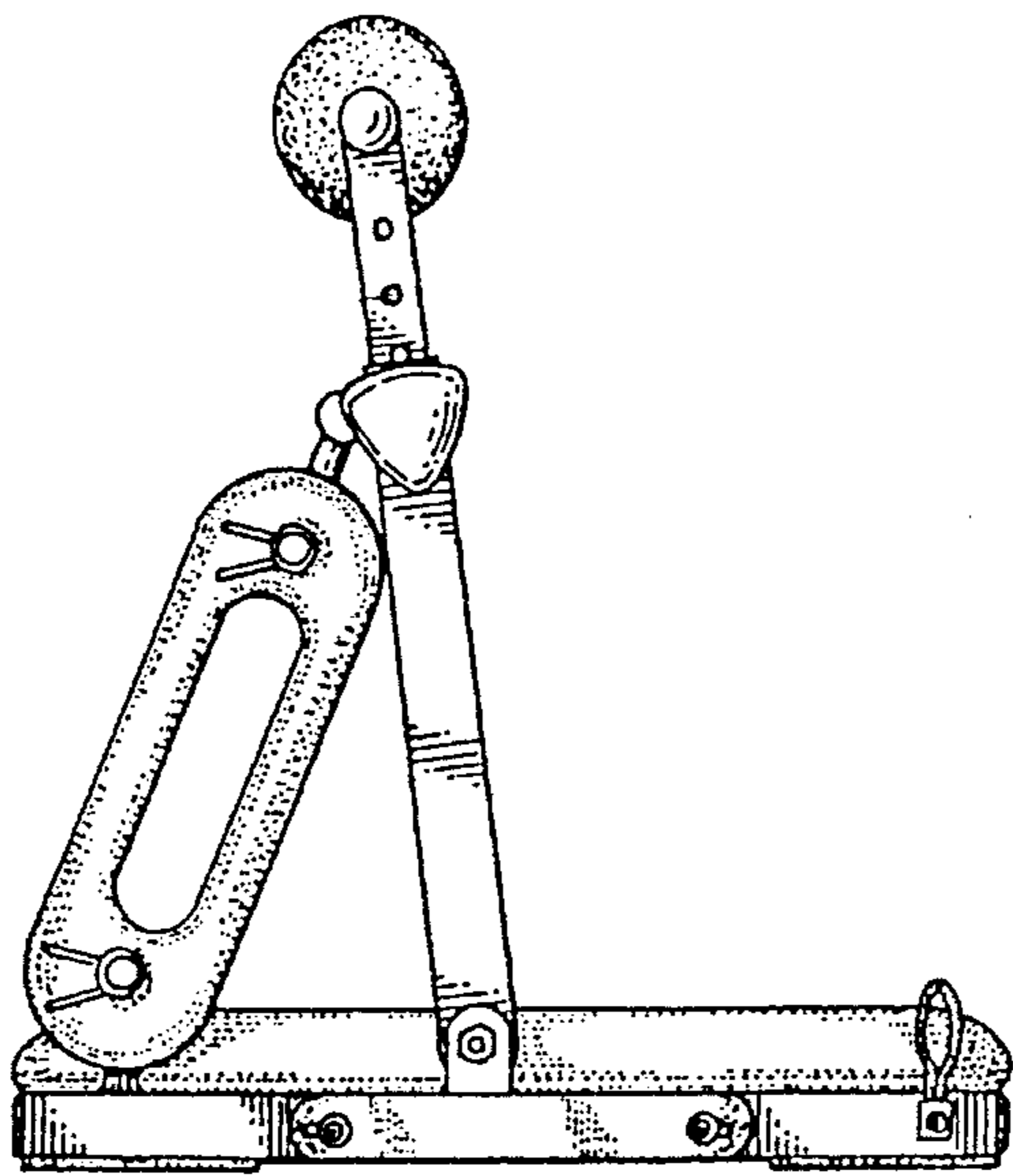


FIG. 1

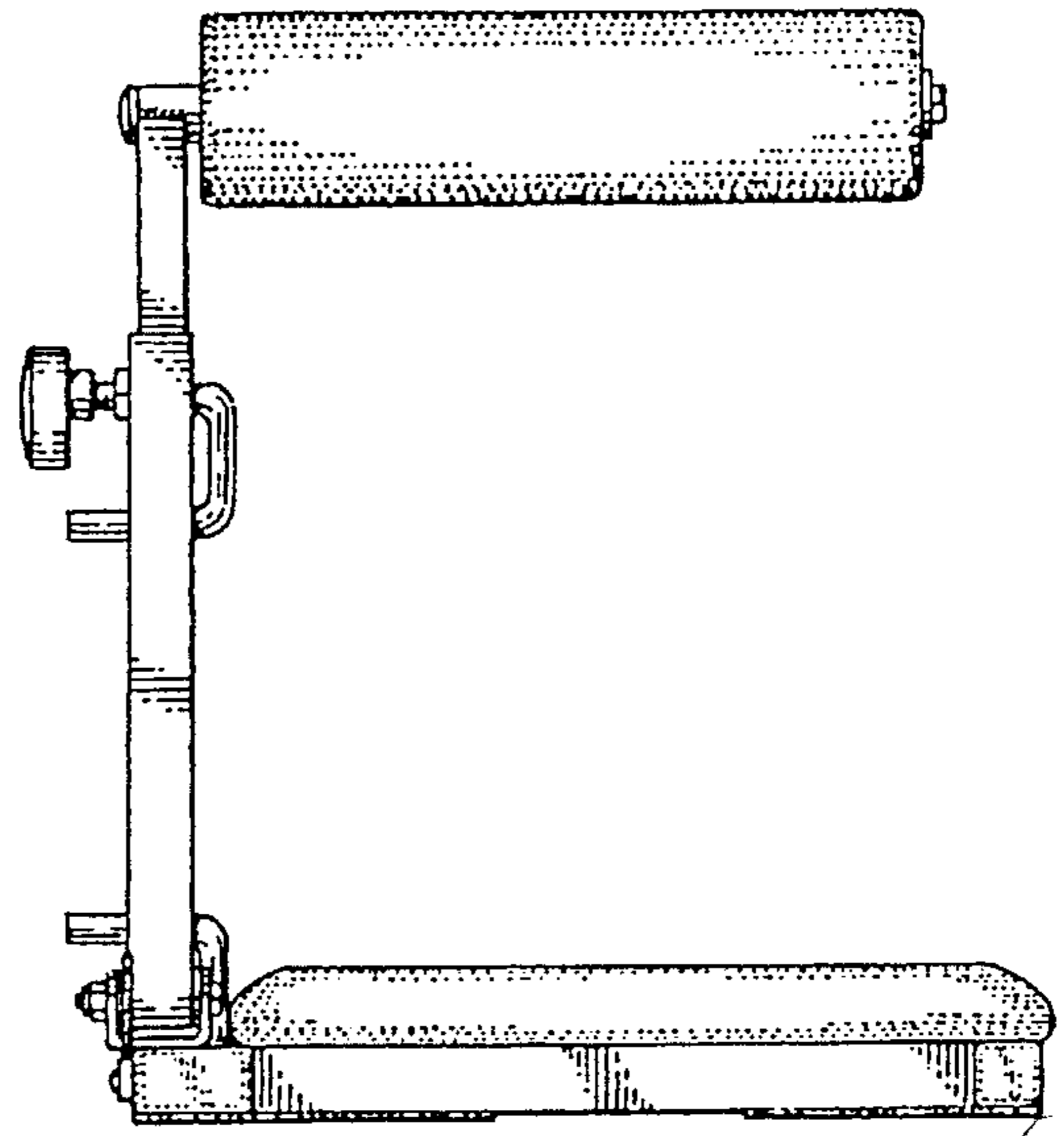


FIG. 2

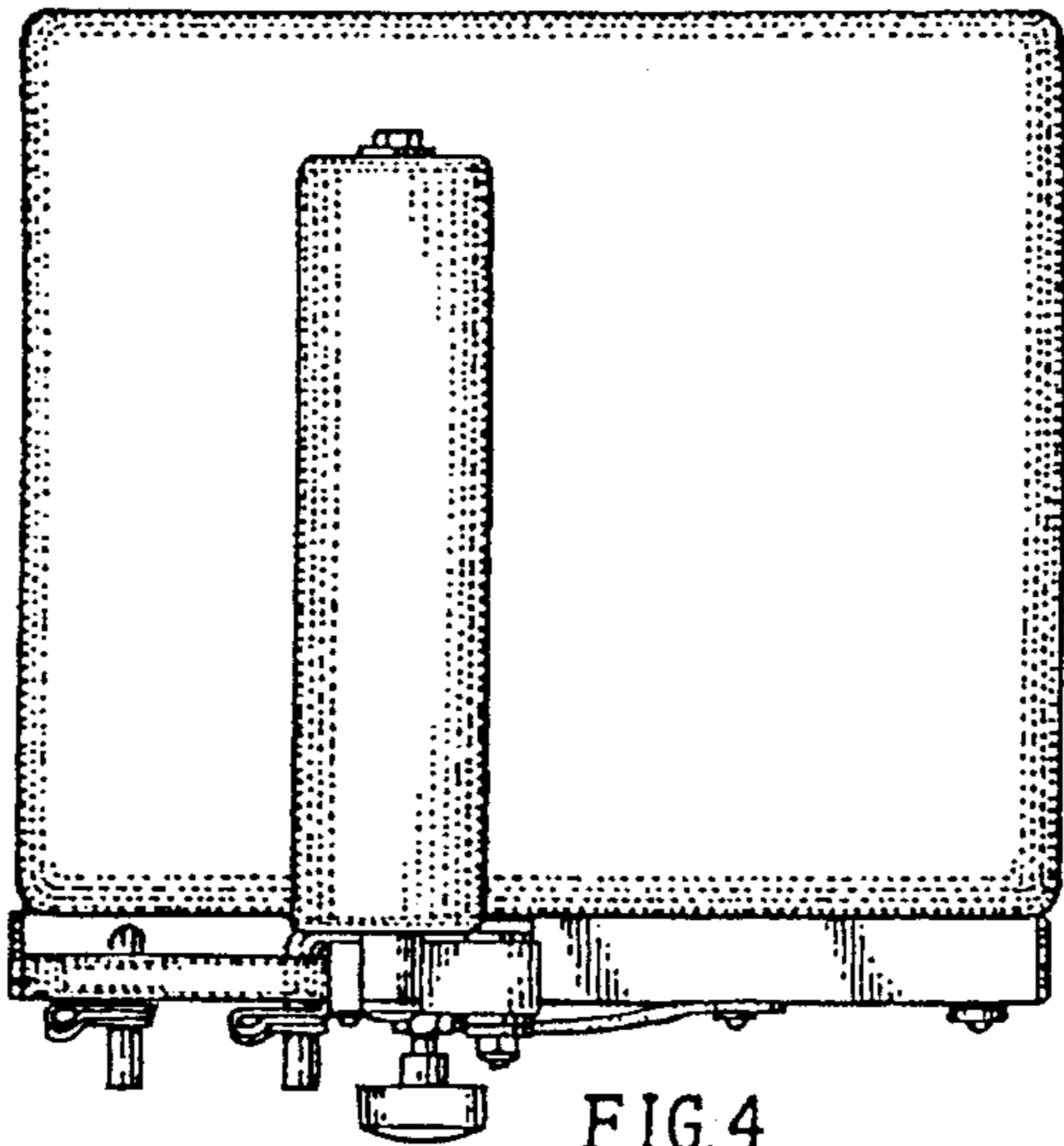


FIG. 4

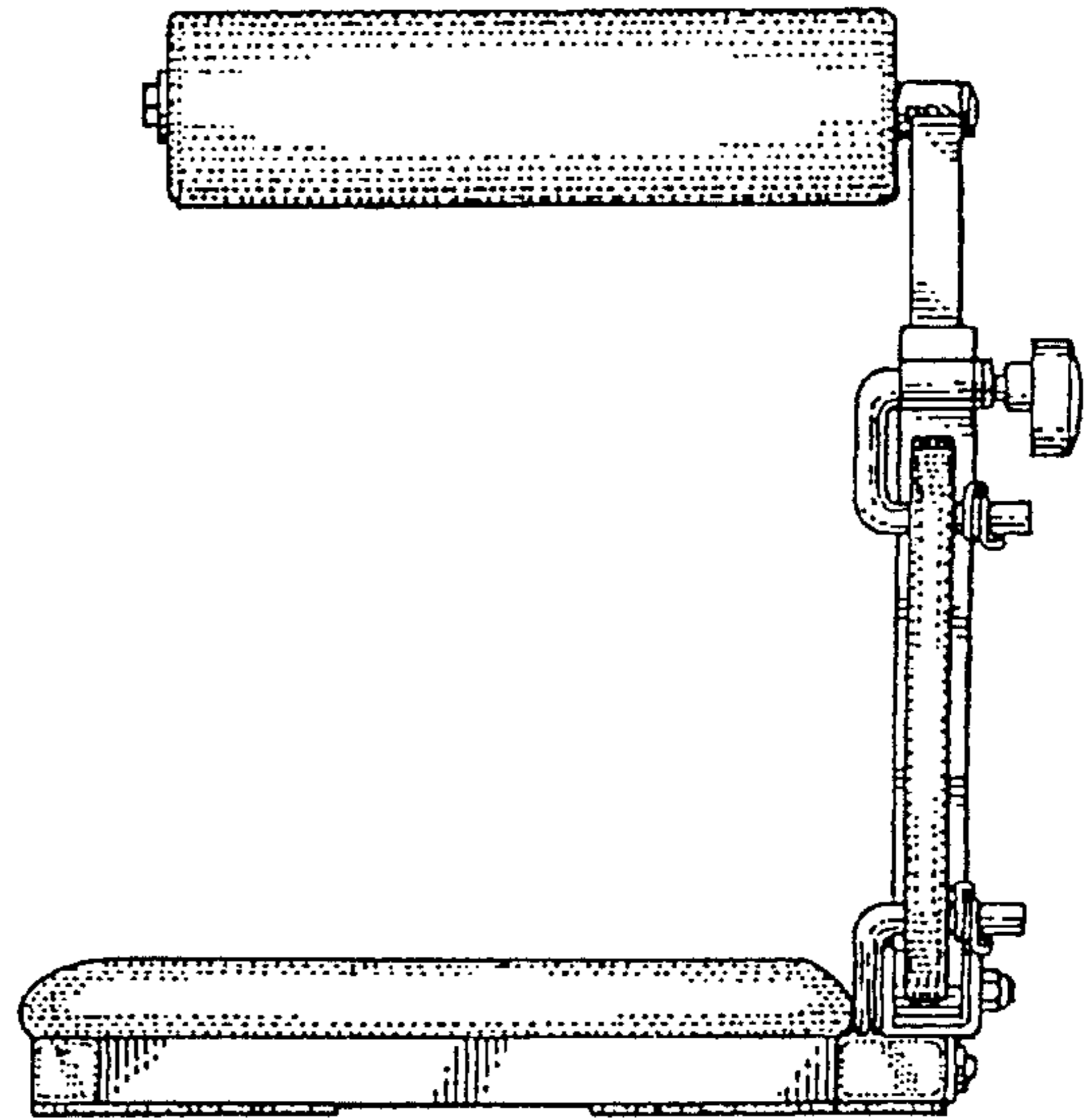


FIG. 3

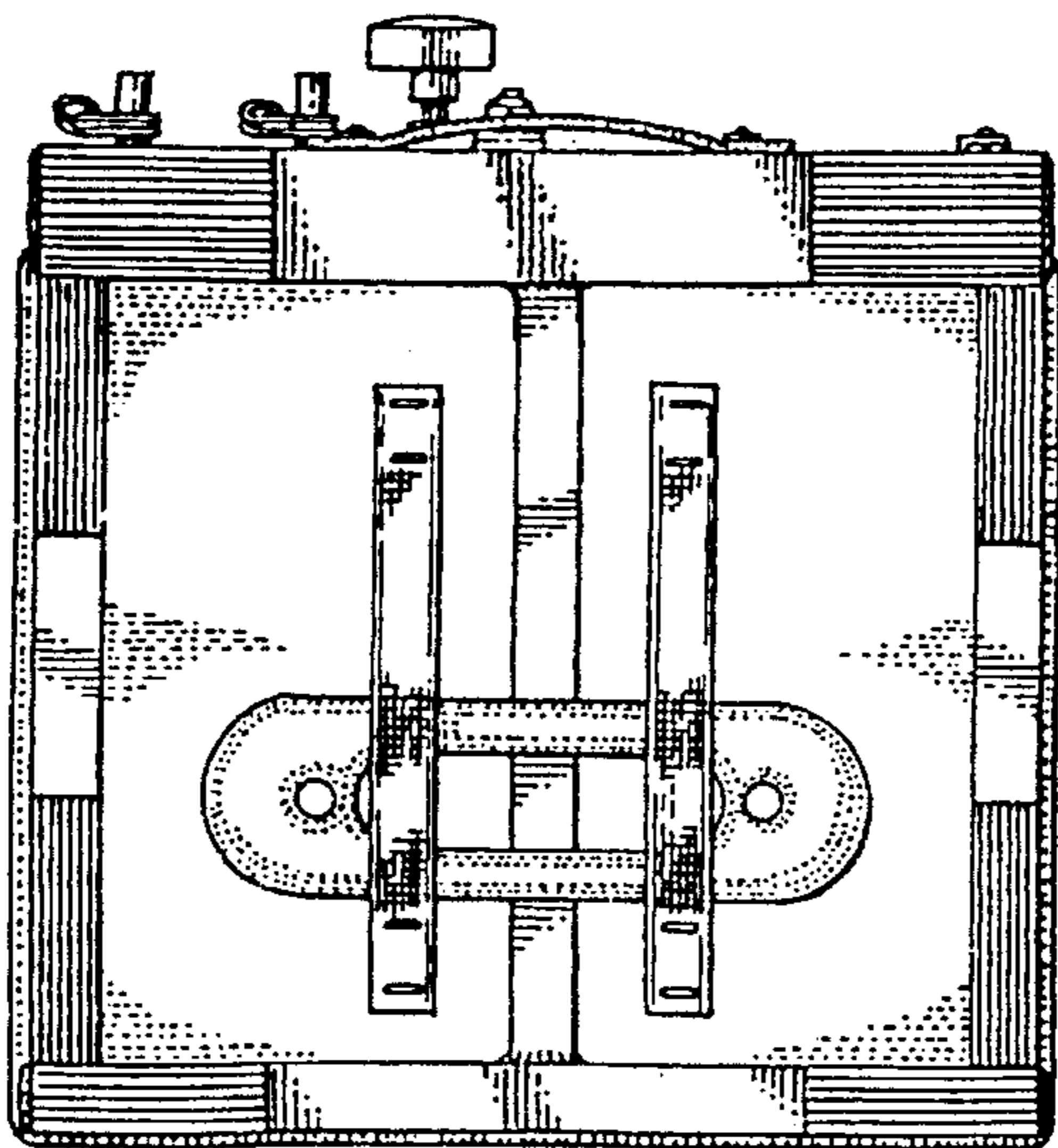


FIG. 5

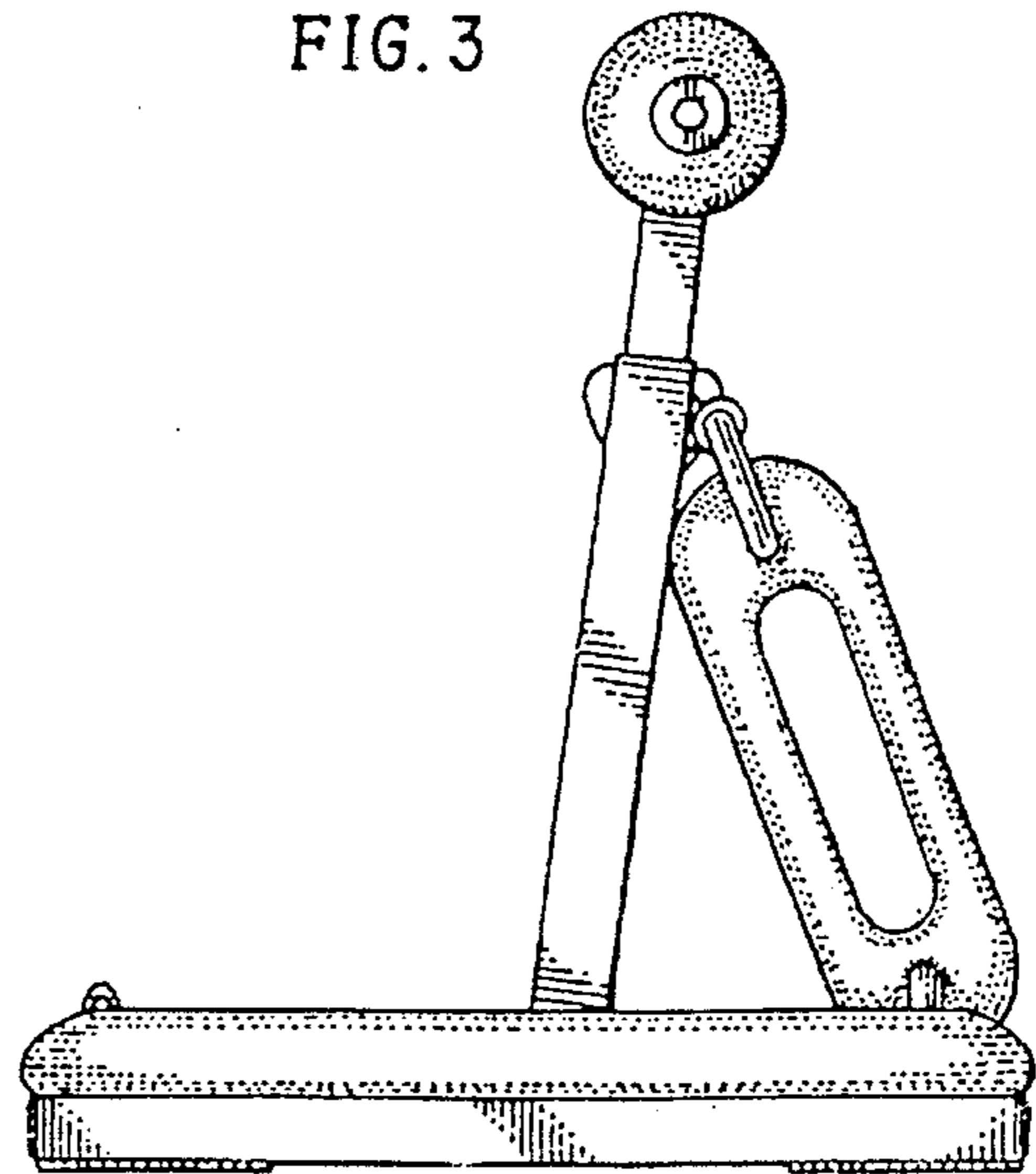


FIG. 6

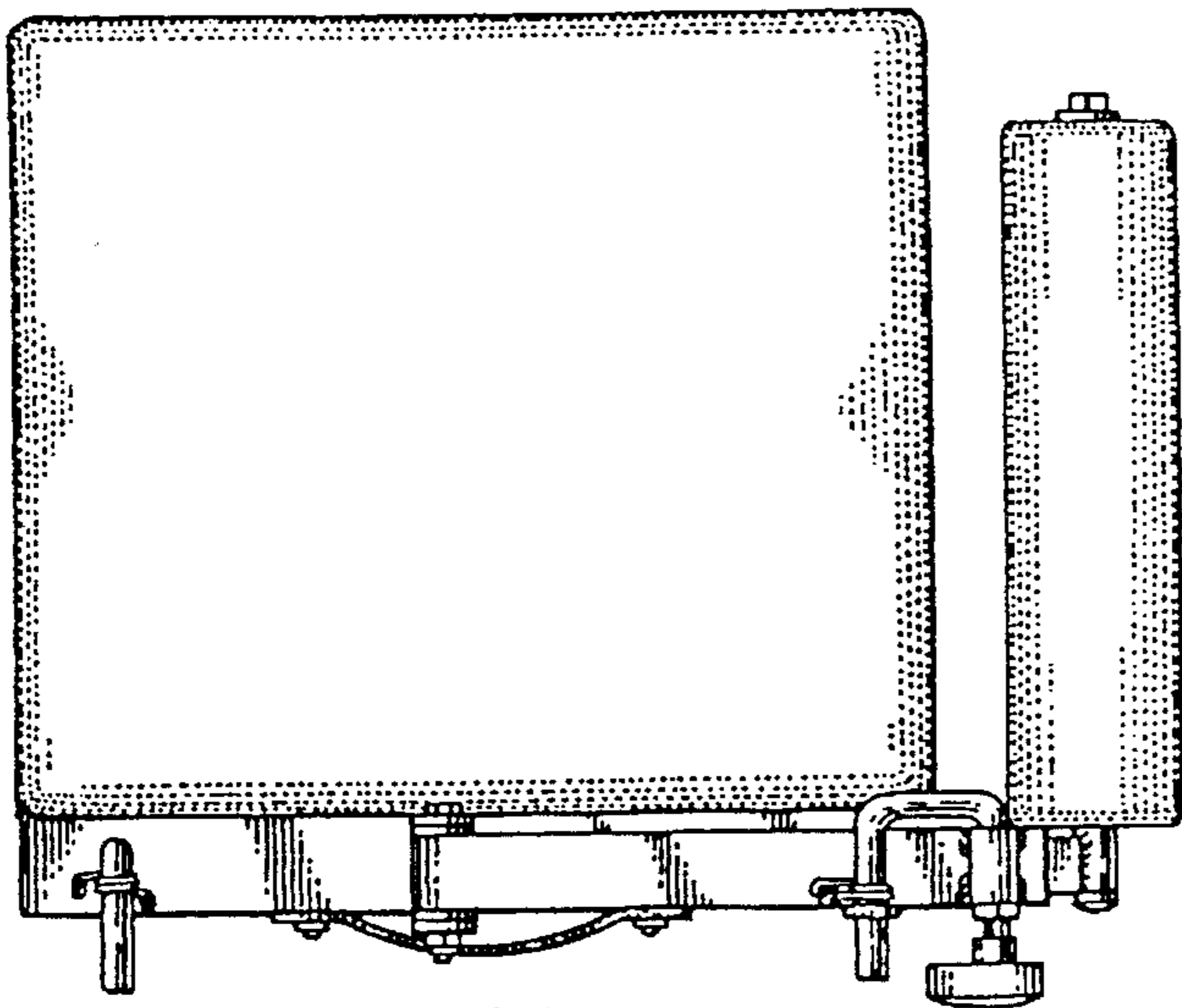


FIG. 7

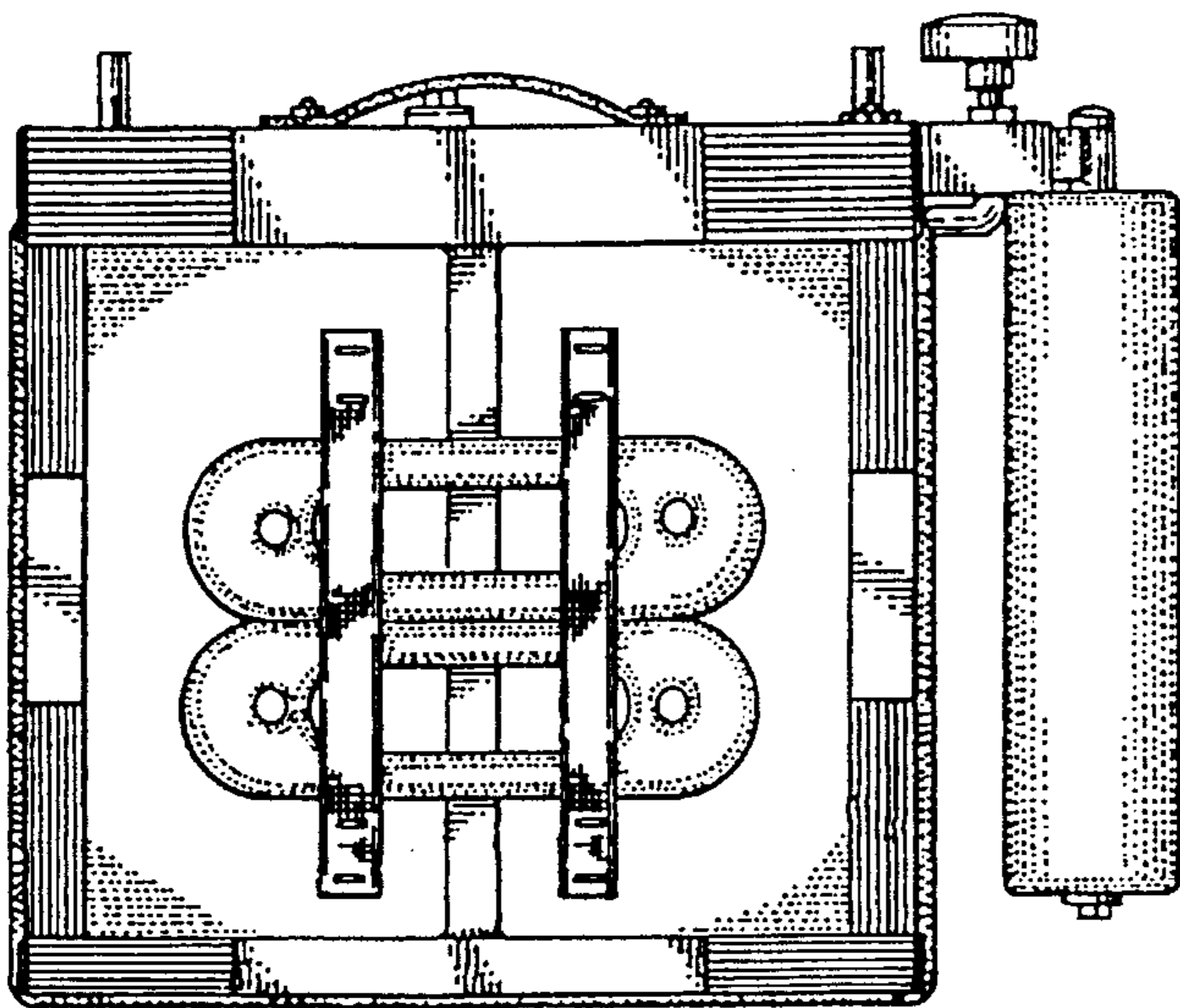


FIG. 8

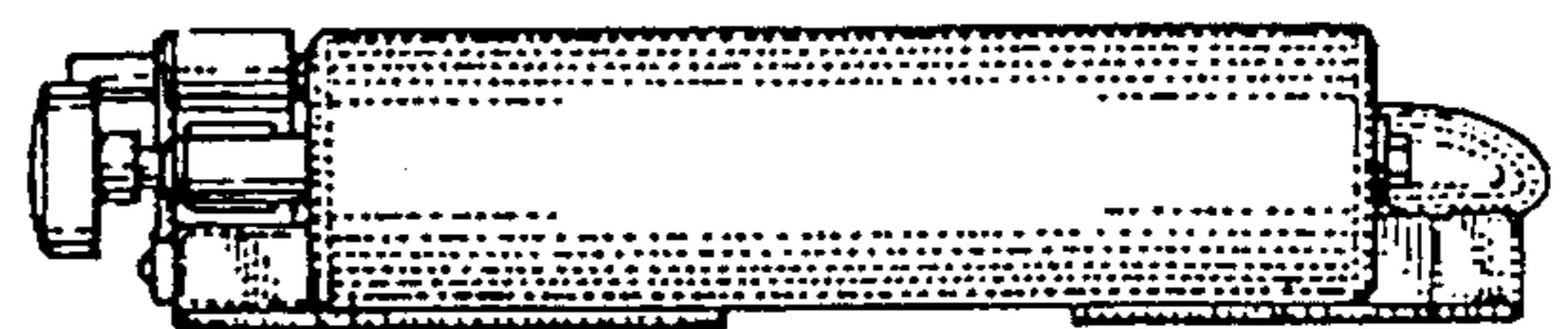


FIG. 11.

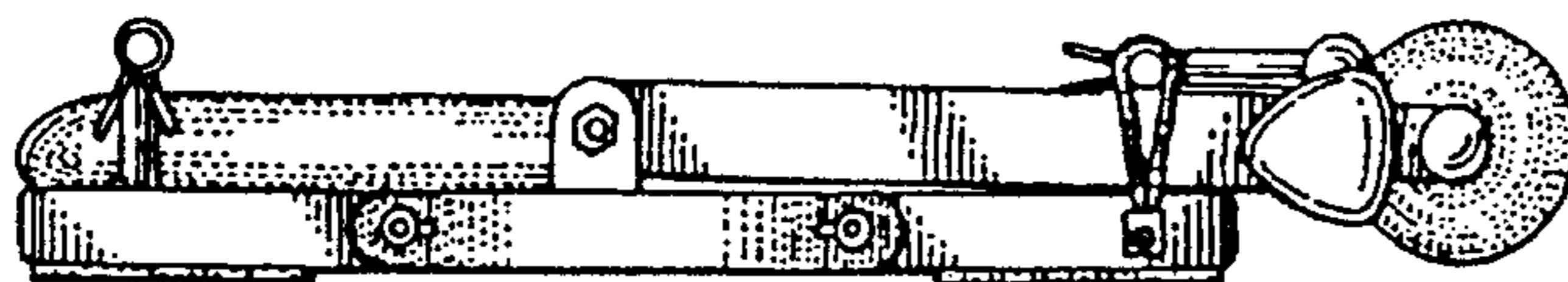


FIG. 9

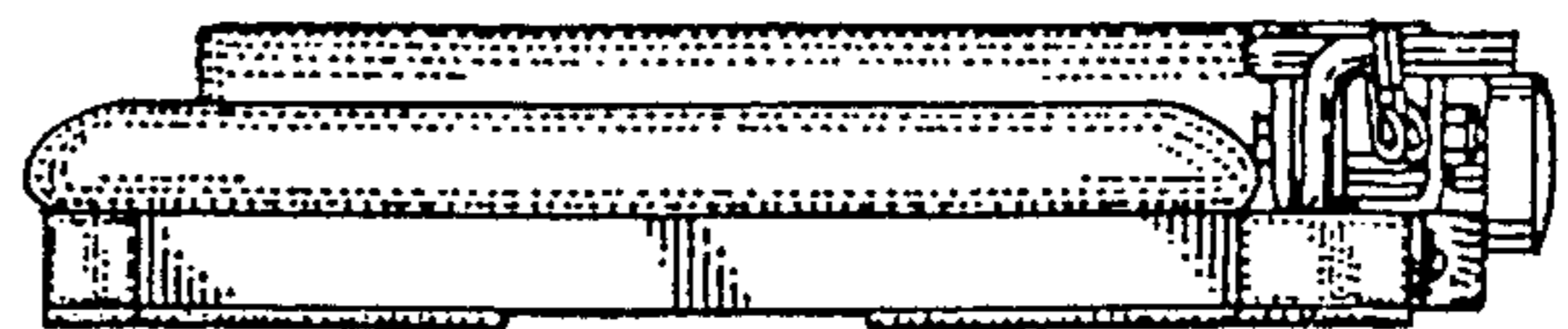


FIG. 12

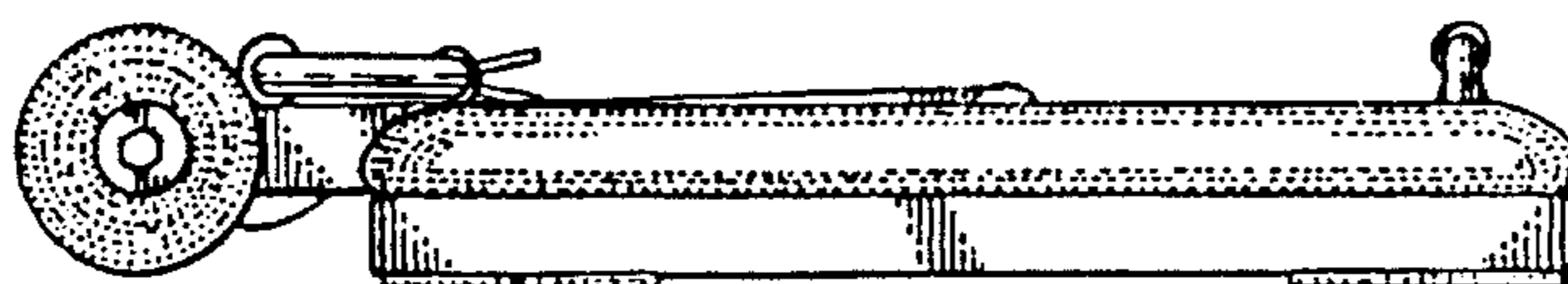


FIG. 10