



US00D373606S

United States Patent [19]

Knudsen

[11] **Patent Number: Des. 373,606**

[45] **Date of Patent: **Sep. 10, 1996**

[54] **TOY BUILDING ELEMENT**

4,964,833 10/1990 Suzuki 446/128

[75] Inventor: **Jens N. Knudsen**, Billund, Denmark

OTHER PUBLICATIONS

[73] Assignee: **INTERLEGO AG**, Baar, Switzerland

Toys and Novelties, Aug. 1962, p. 47, toy block in center of page.

[**] Term: **14 Years**

Primary Examiner—Raphael Barkai

[21] Appl. No.: **43,915**

Attorney, Agent, or Firm—Kane, Dalsimer, Sullivan, Kurucz, Levy, Eisele and Richard, LLP

[22] Filed: **Sep. 14, 1995**

[57] **CLAIM**

[52] U.S. Cl. **D21/108**

The ornamental design for a toy building element, as shown and described.

[58] **Field of Search** D21/108, 124,
D21/125, 141; 446/103, 110, 115, 120,
124, 125, 126, 128, 479, 487

DESCRIPTION

[56] **References Cited**

FIG. 1 is a top perspective view of the toy building element showing my new design;

U.S. PATENT DOCUMENTS

FIG. 2 is a bottom perspective view thereof;

D. 244,992	7/1977	Van Der Veken	D21/108
D. 284,207	6/1986	Kassai	D21/108
D. 304,215	10/1989	Knudsen	D21/108
D. 353,851	12/1994	Glynn	D21/108
D. 354,319	1/1995	Wilson	D21/108
D. 363,513	10/1995	Frederiksen	D21/108
2,861,388	11/1958	Favaretto	D21/108
4,522,001	6/1985	Meyer	446/128

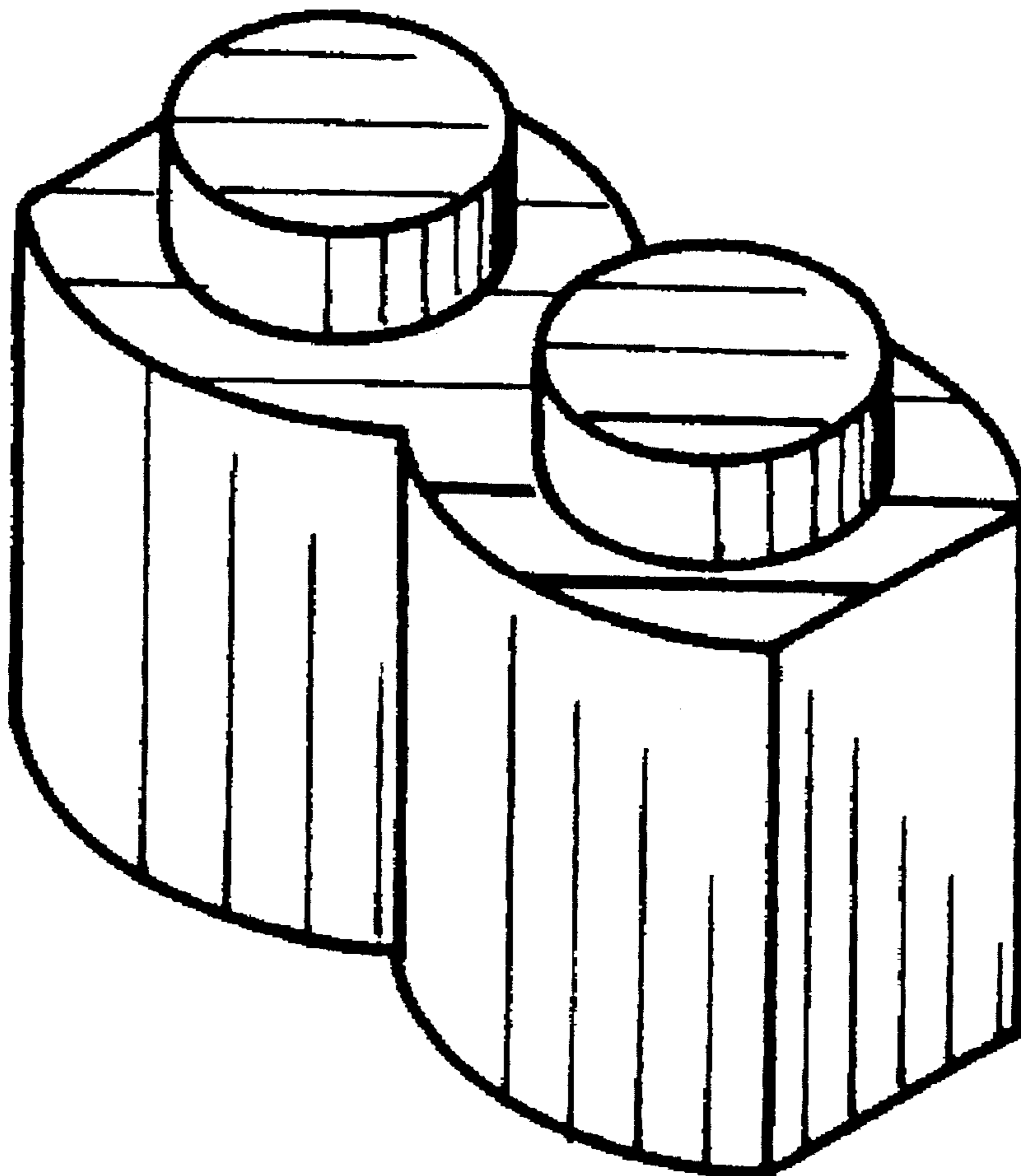
FIG. 3 is a right side elevational view thereof, the left side being identical;

FIG. 4 is a front elevational view thereof the rear side being identical;

FIG. 5 is a bottom plan view thereof; and,

FIG. 6 is a top plan view thereof.

1 Claim, 1 Drawing Sheet



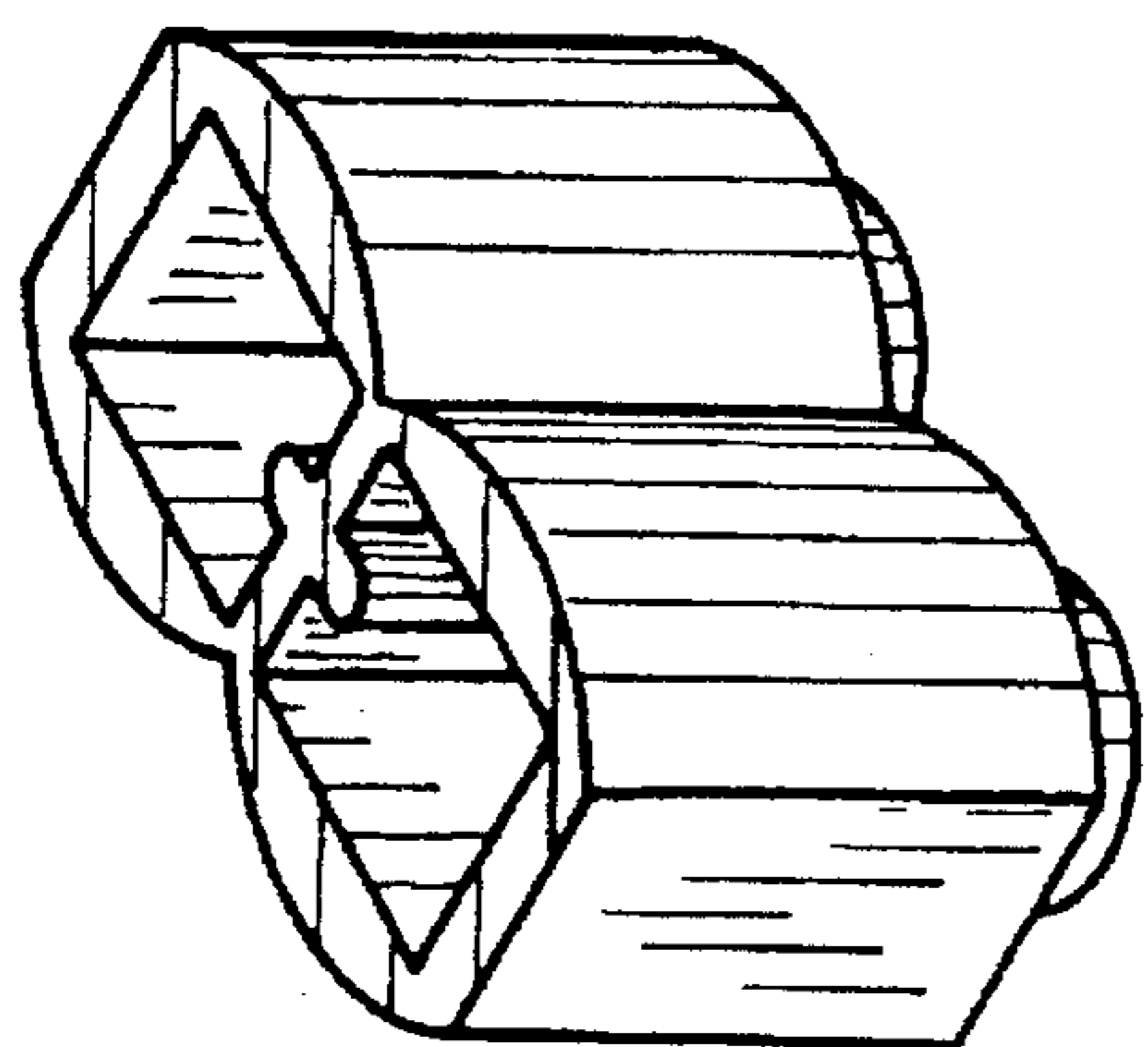


FIG. 2

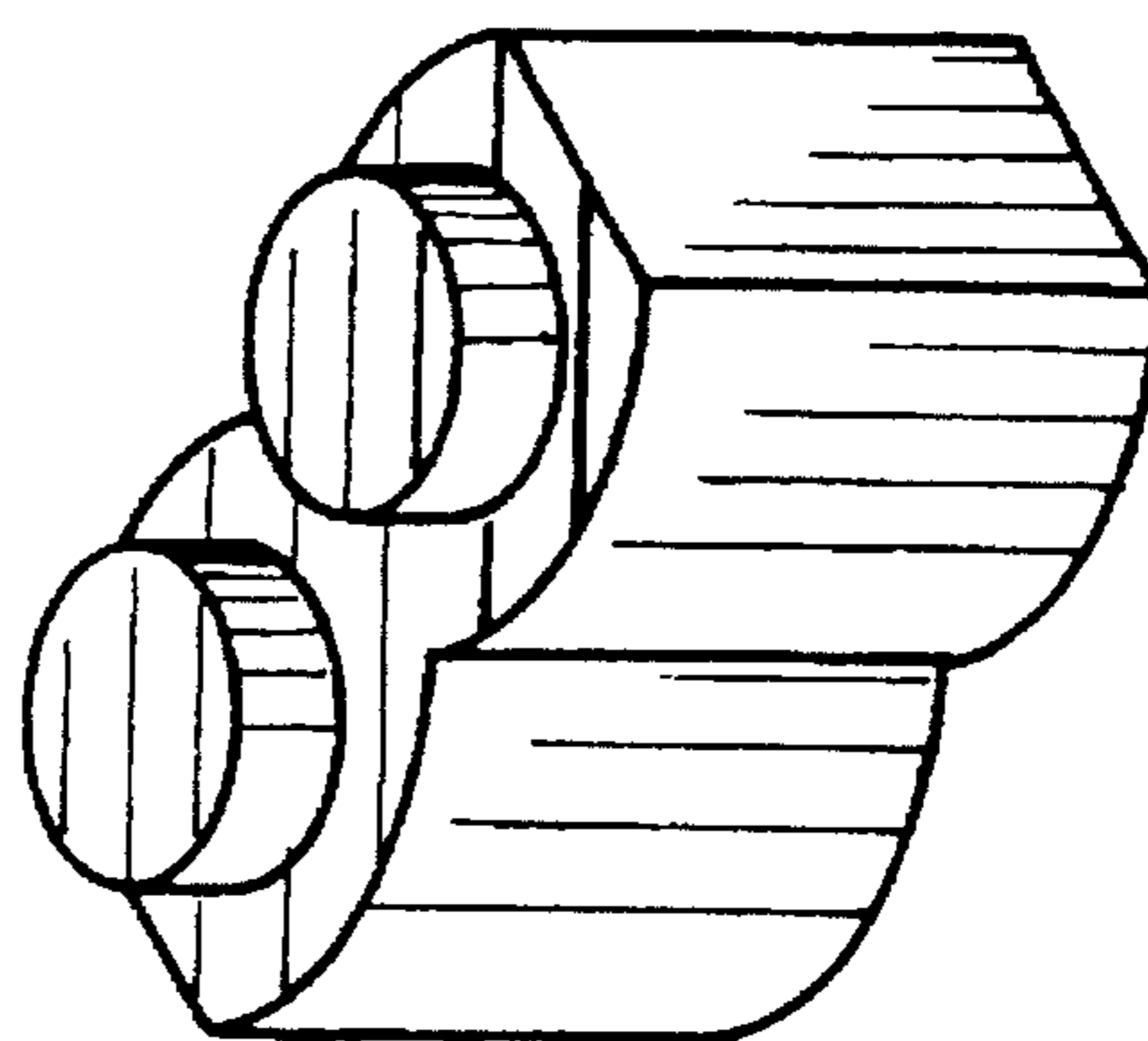


FIG. 1

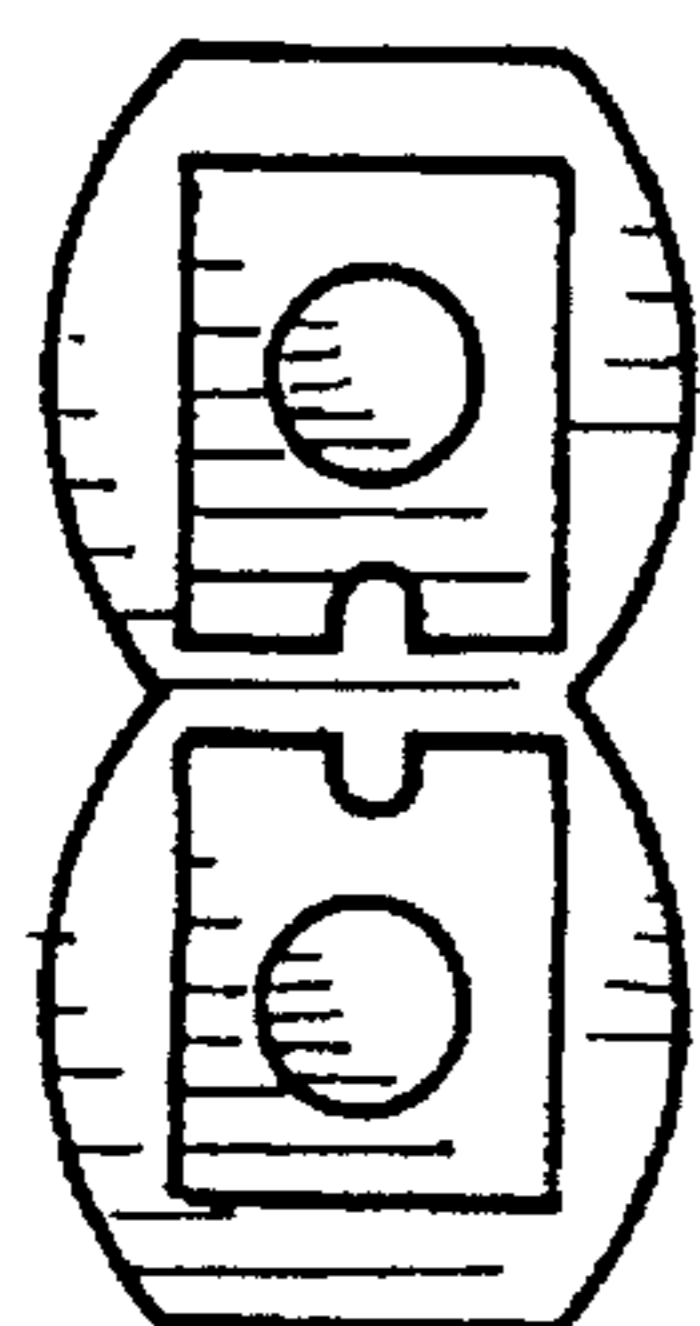


FIG. 5

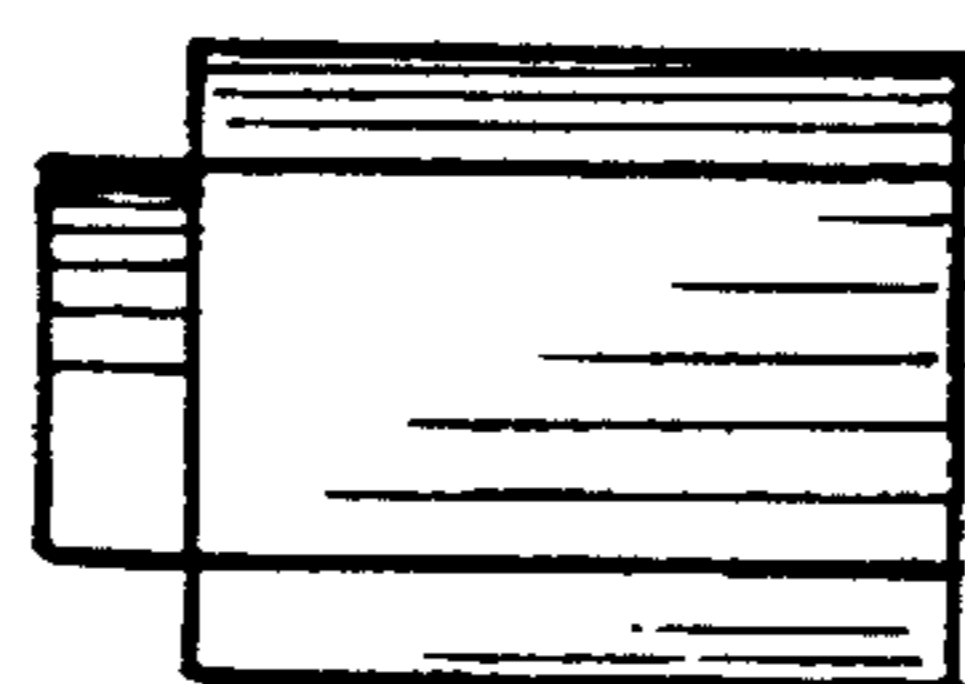


FIG. 3

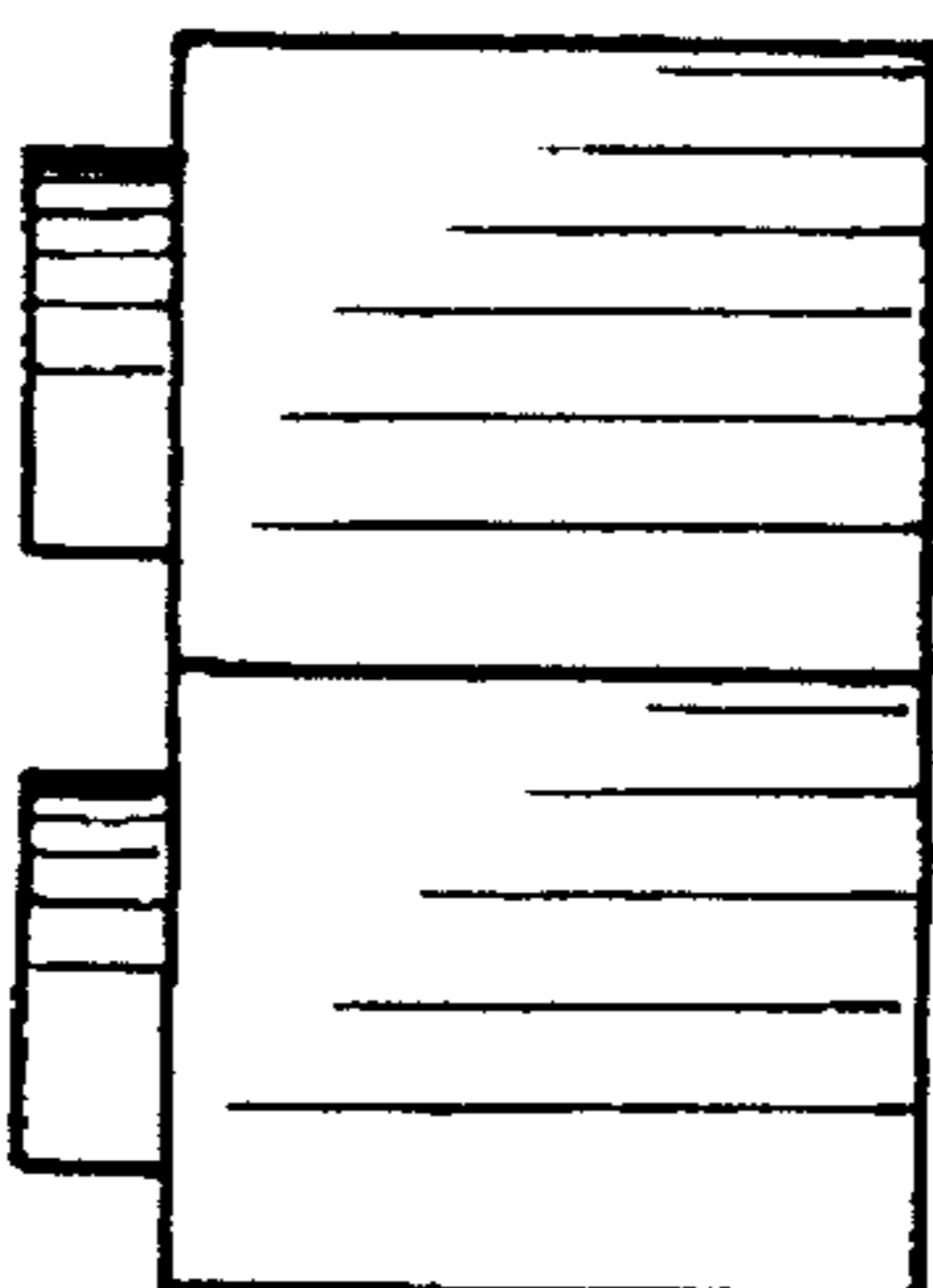


FIG. 4

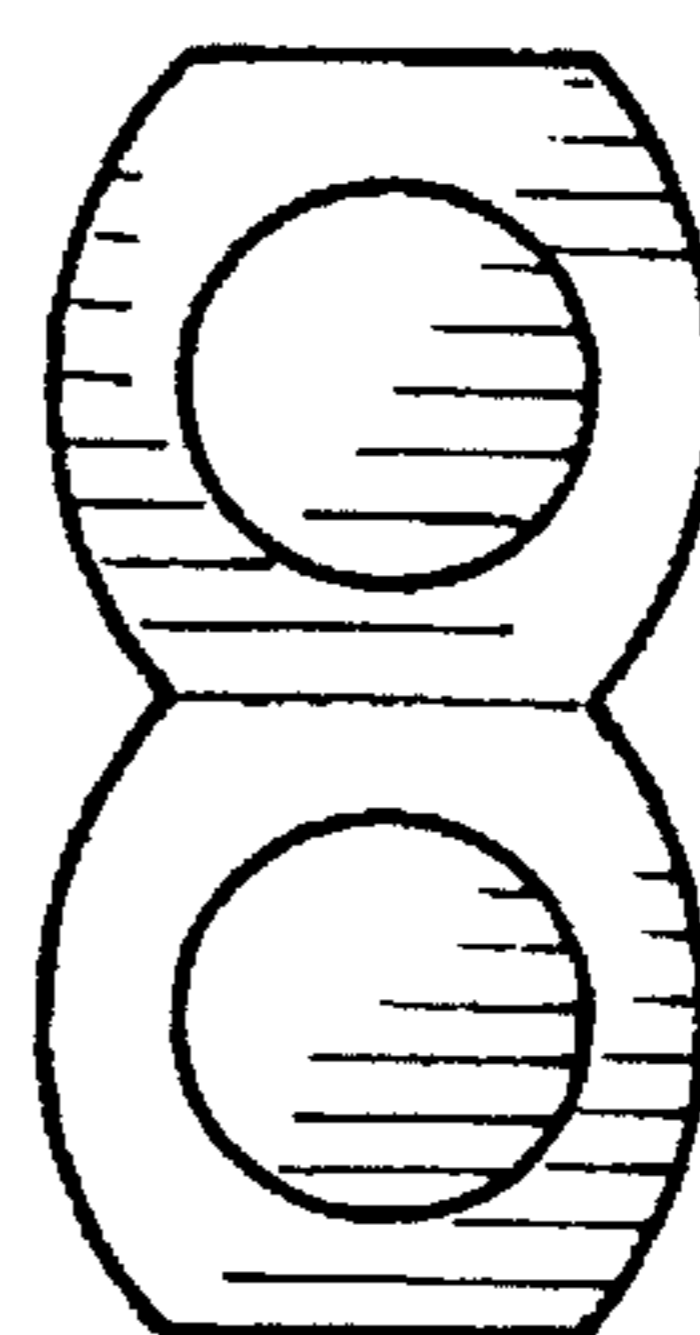


FIG. 6