



US00D373605S

United States Patent [19]

Skov et al.

[11] Patent Number: Des. 373,605

[45] Date of Patent: **Sep. 10, 1996

[54] TOY BUILDING ELEMENT

5,186,672 2/1993 Tung 446/95

[75] Inventors: **Ib T. Skov; Kim Pagel**, both of Billund, Denmark

[73] Assignee: **INTERLEGO AG**, Baar, Switzerland

[**] Term: **14 Years**

[21] Appl. No.: **29,104**

[22] Filed: **Sep. 29, 1994**

[52] U.S. Cl. **D21/108**

[58] Field of Search D21/108, 124, D21/128, 132, 134, 141; 446/103, 104, 121, 128

[56] **References Cited**

U.S. PATENT DOCUMENTS

D. 206,012	10/1966	Kristiansen	D21/108
D. 282,090	1/1986	Takahashi	D21/108
D. 311,936	11/1990	Andersen	D21/108
3,236,004	2/1966	Christiansen	446/128

OTHER PUBLICATIONS

Lego Catalog Block, top of page.

Primary Examiner—Raphael Barkai
Attorney, Agent, or Firm—Kane, Dalsimer, Sullivan, Kurucz, Levy, Eisele and Richard, LLP

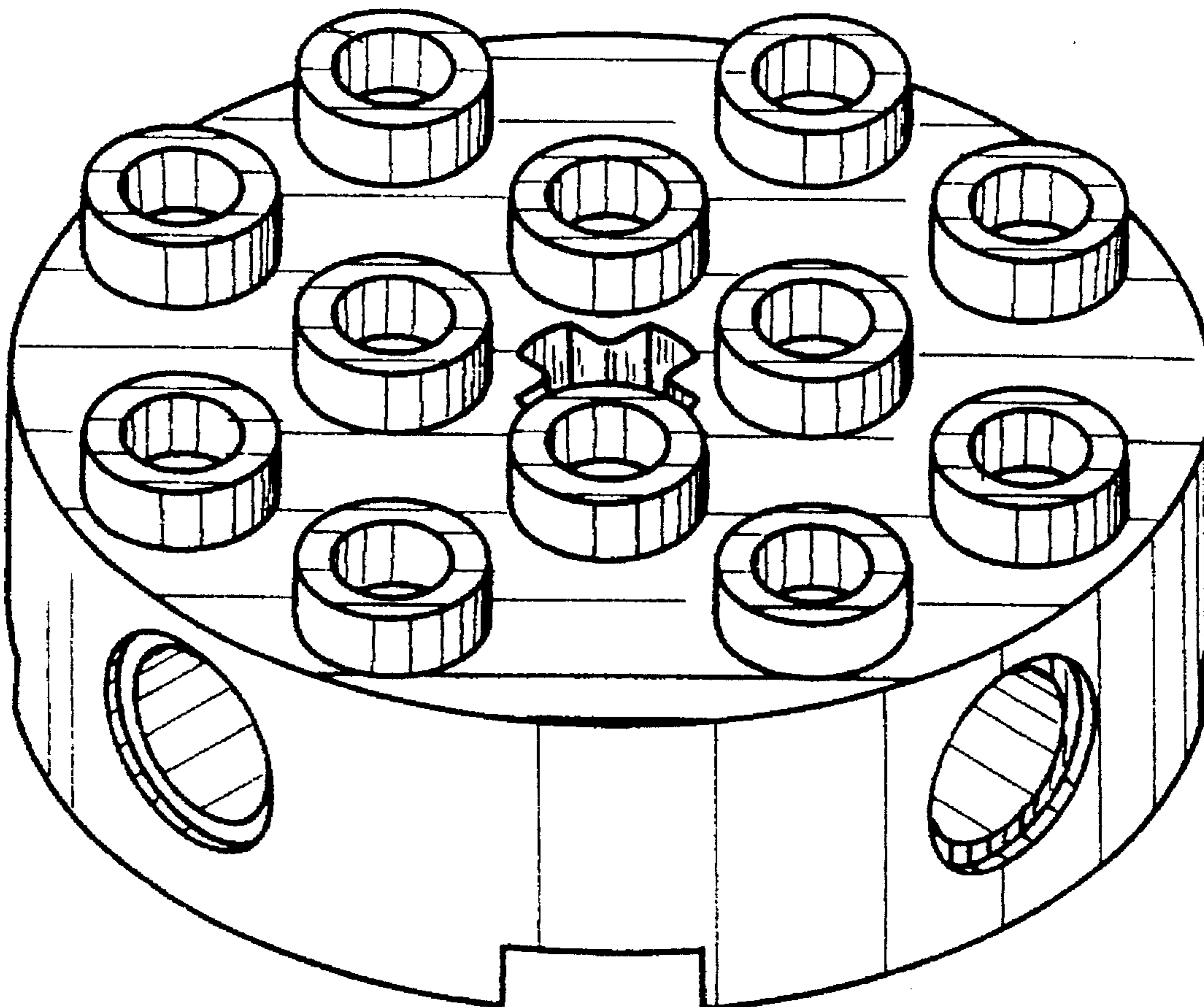
[57] **CLAIM**

The ornamental design for a toy building element, as shown and described.

DESCRIPTION

FIG. 1 is a top perspective view of the toy building element showing our new design;
FIG. 2 is a bottom perspective view thereof;
FIG. 3 is a side elevational view thereof, all sides being identical;
FIG. 4 is a bottom plan view thereof; and,
FIG. 5 is a top plan view thereof.

1 Claim, 2 Drawing Sheets



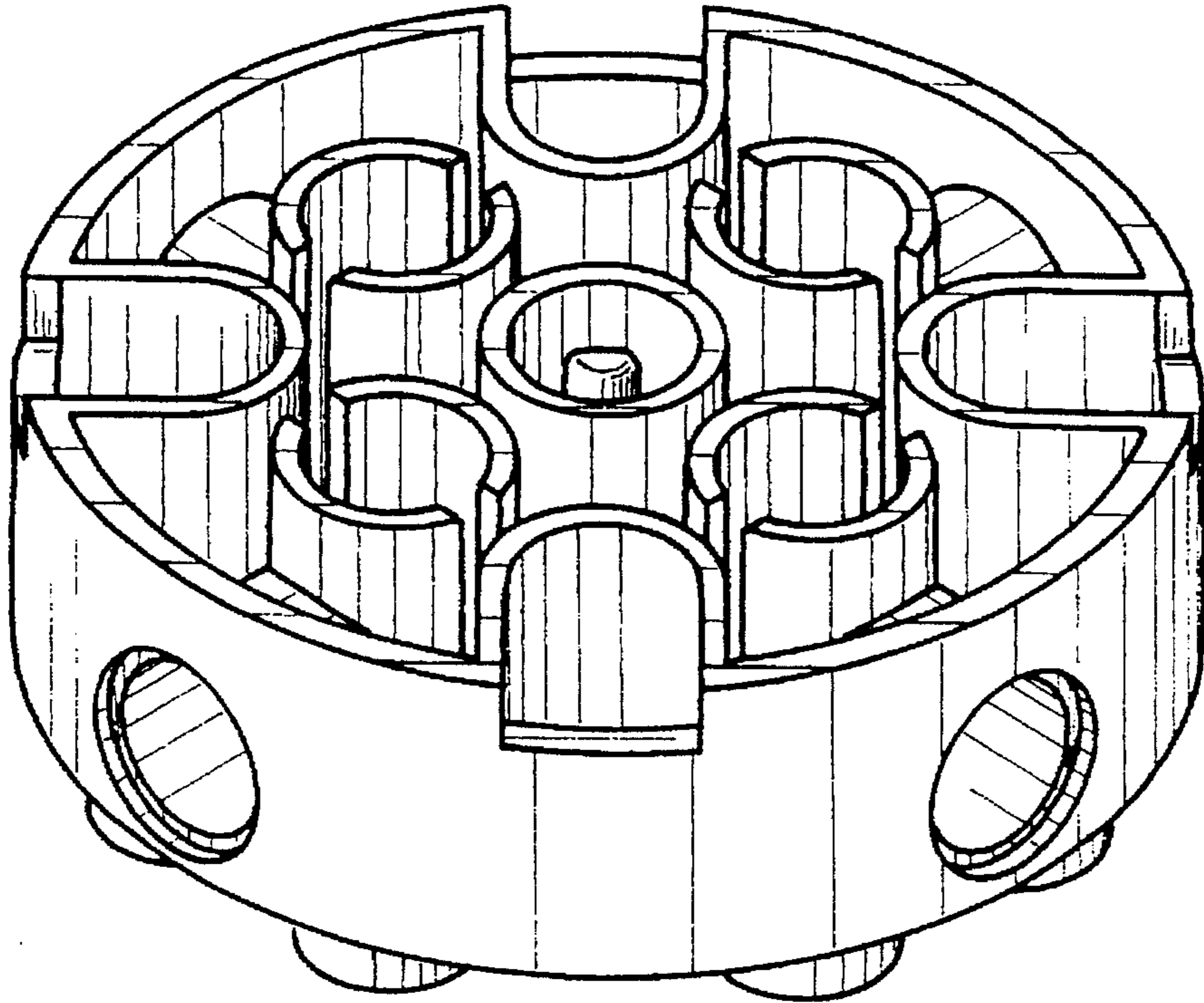


FIG. 2

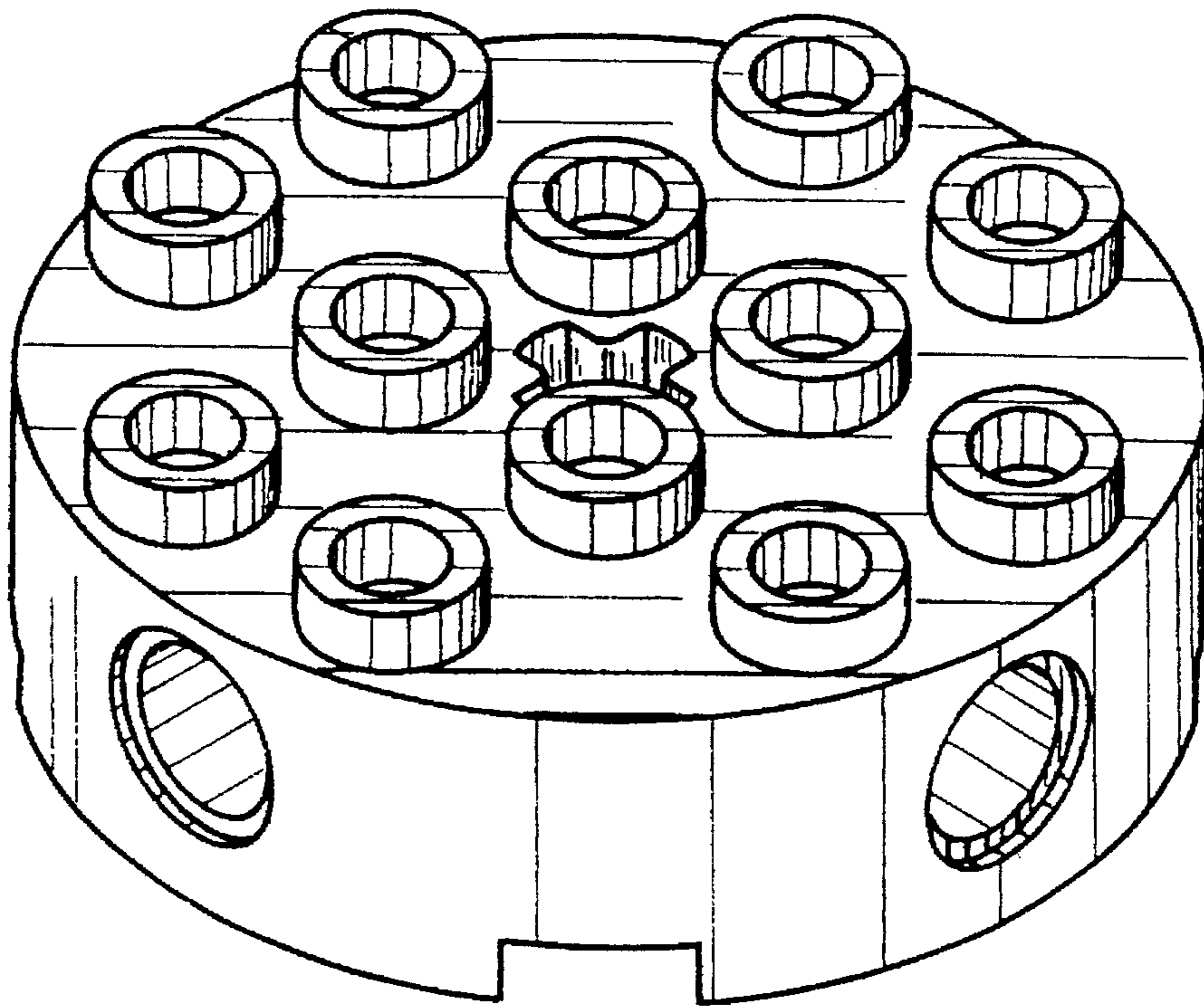


FIG. 1

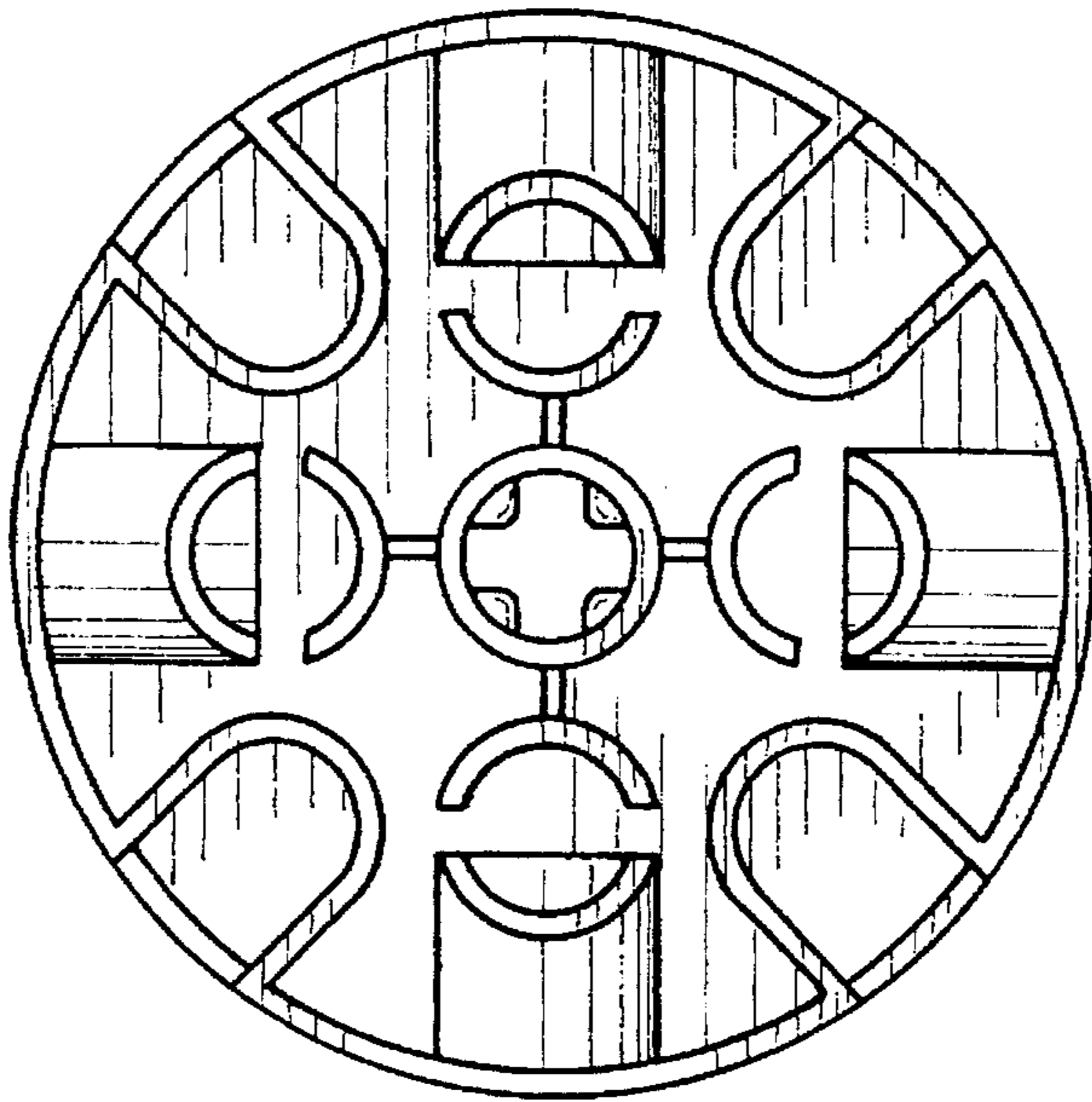


FIG. 4

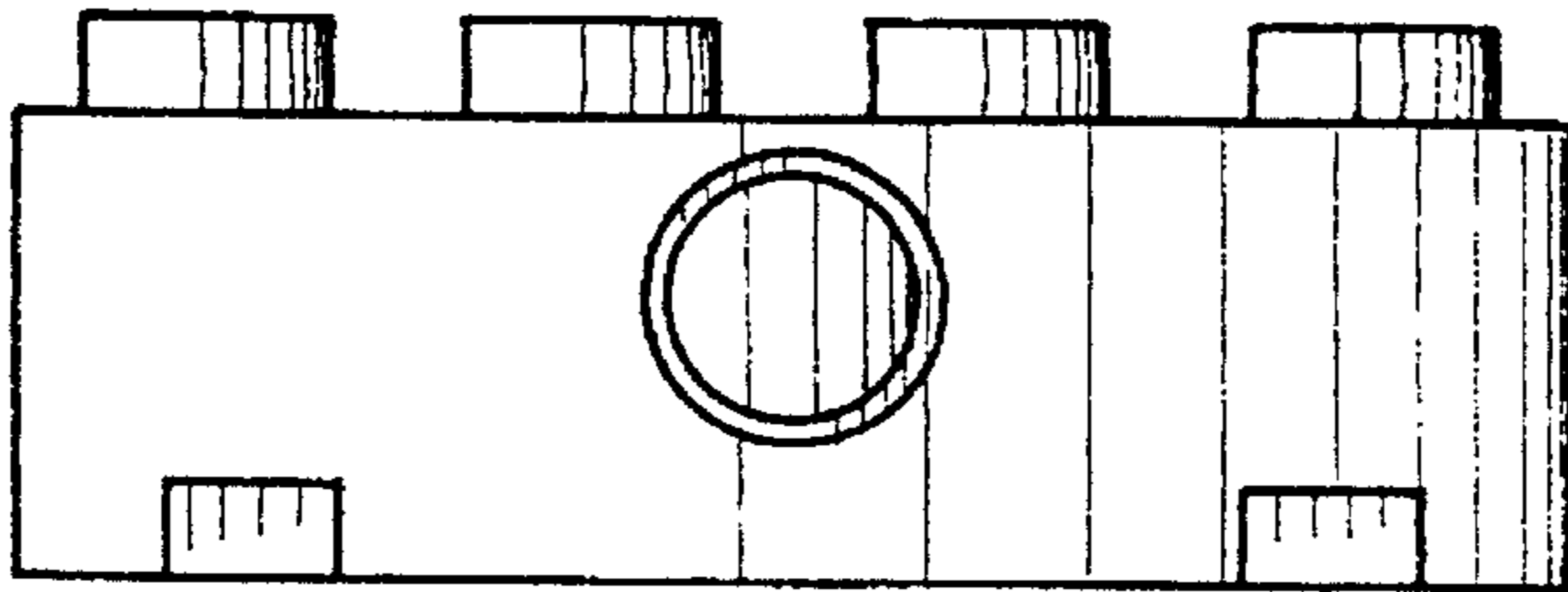


FIG. 3

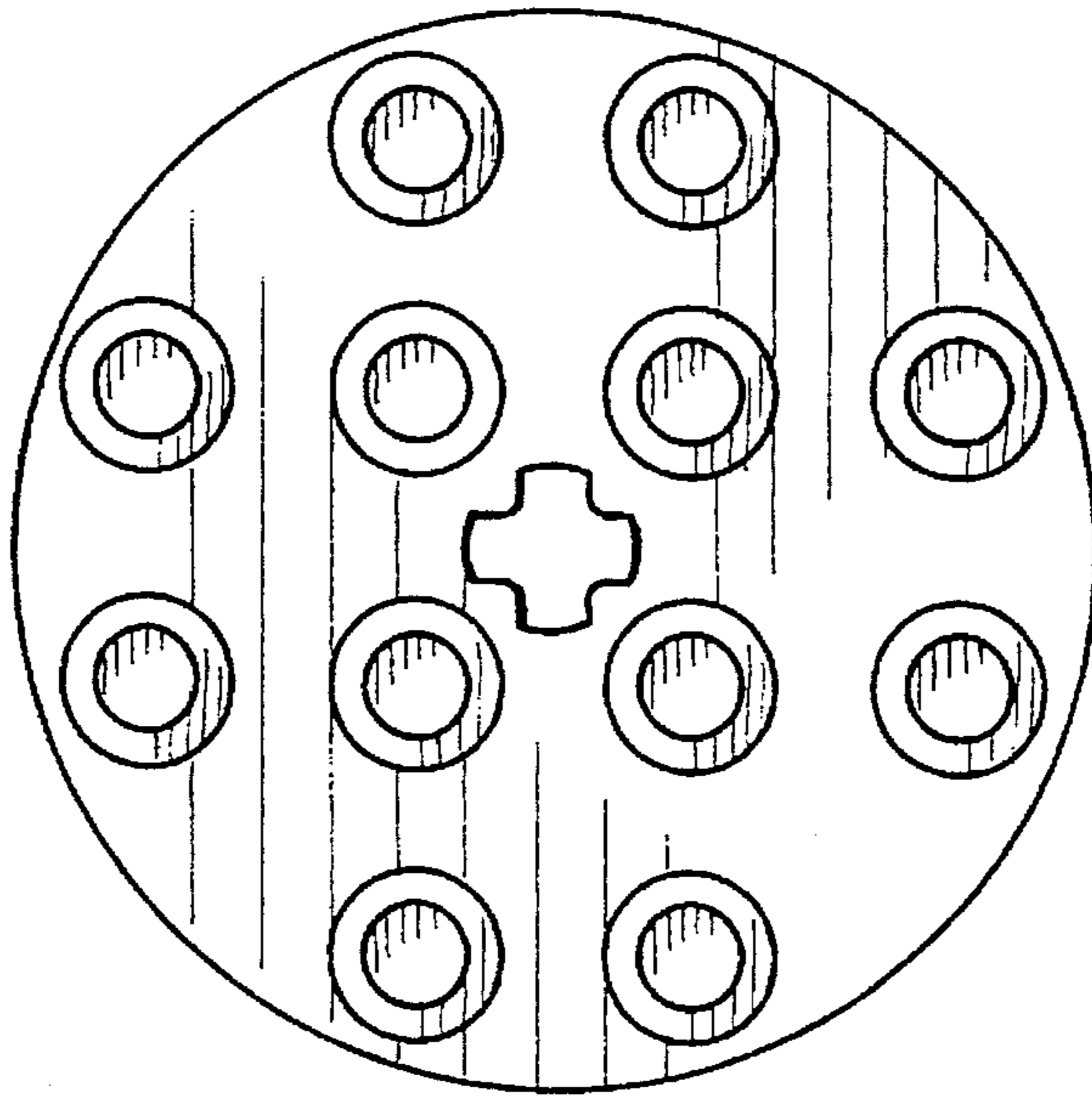


FIG. 5