



US00D373600S

United States Patent [19]

[11] Patent Number: **Des. 373,600**

Oimas

[45] Date of Patent: ****Sep. 10, 1996**

[54] **BOOK HOLDER**

Attorney, Agent, or Firm—William J. Ruano; David L. Volk

[76] Inventor: **David W. Oimas**, 9227 63rd St. West,
Taylor Ridge, Ill. 61284

[57] **CLAIM**

[**] Term: **14 Years**

The ornamental design for a book holder, as shown and described.

[21] Appl. No.: **20,153**

DESCRIPTION

[22] Filed: **Mar. 21, 1994**

[52] U.S. Cl. **D19/91; D19/34**

[58] Field of Search D19/34, 36, 65,
D19/75, 86, 91, 99, 100; 248/441.1, 442.2,
450, 451, 452, 453; 281/42

FIG. 1 is a perspective view of a book holder, showing my new design;

FIG. 2 is a perspective view thereof, without the environmental structure of FIG. 1;

FIG. 3 is a top view thereof;

FIG. 4 is a front view thereof;

FIG. 5 is a rear view thereof;

FIG. 6 is a right side view thereof, the left side being a mirror image;

FIG. 7 is a bottom view thereof; and,

FIG. 8 is an enlarged partial cross-section taken along line 8—8 of FIG. 7.

The broken line showing of the book in FIGS. 1, 4, 5, 6 and 7 is for illustrative purposes only and forms no part of the claimed design.

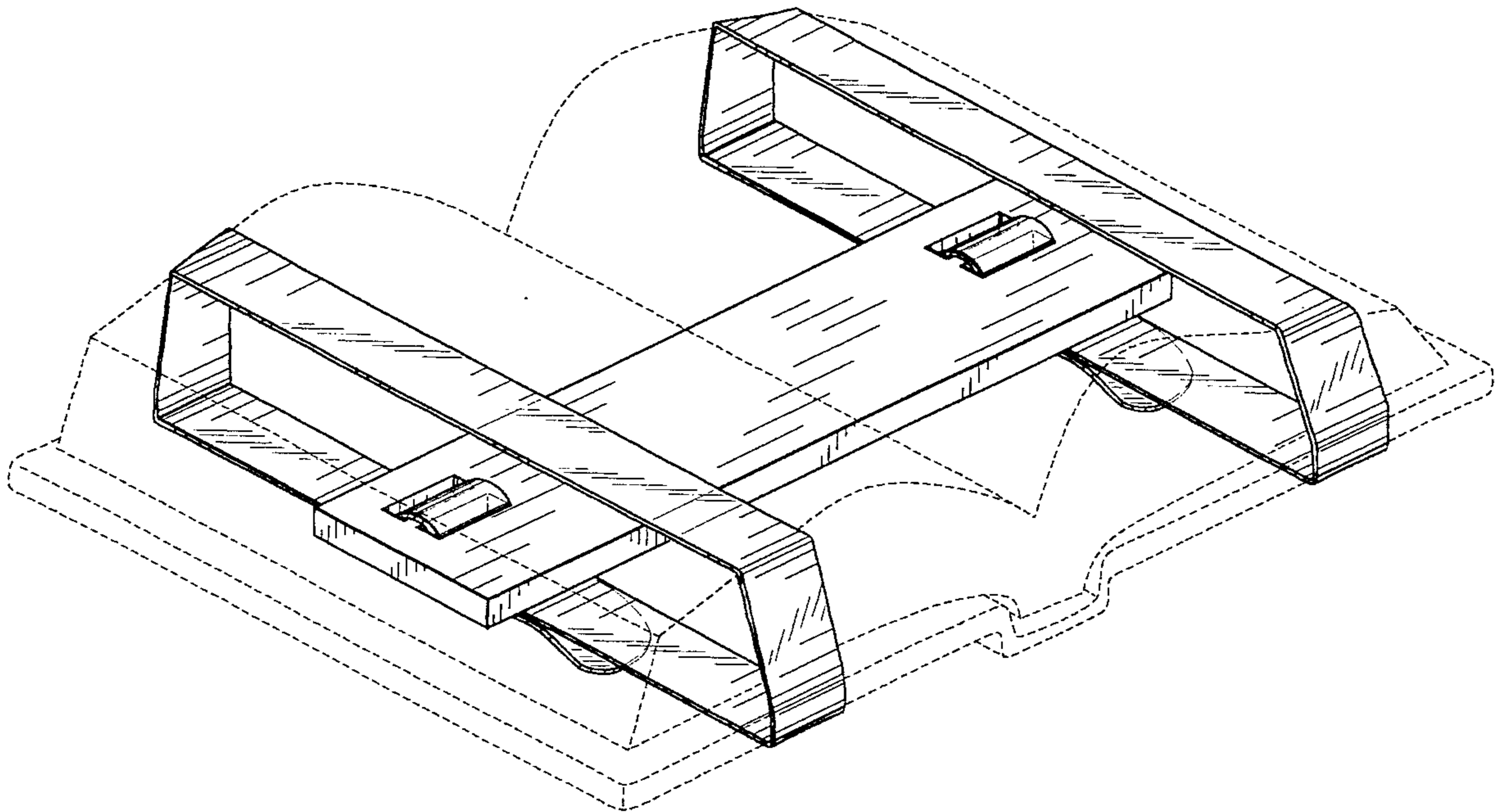
[56] References Cited

U.S. PATENT DOCUMENTS

D. 256,806	9/1980	Tisdale	D19/65 X
D. 269,188	5/1983	Tisdale	D19/34
D. 341,159	11/1993	Watson et al.	D19/34
743,678	11/1903	Bear	248/452
943,865	12/1909	Flanders	248/452
1,194,016	8/1916	Harford	248/453

Primary Examiner—Martie Thompson

1 Claim, 4 Drawing Sheets



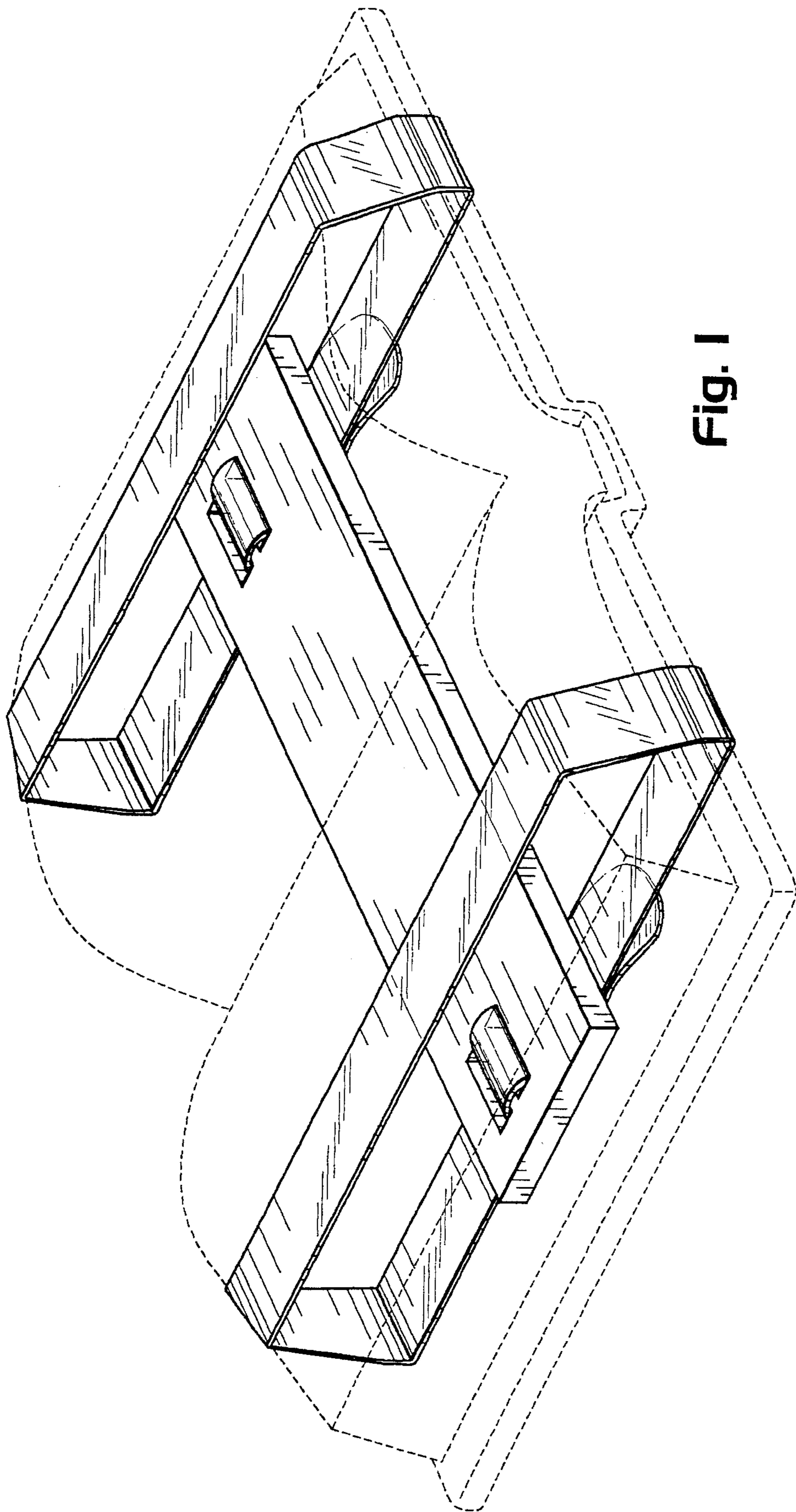


Fig. 1

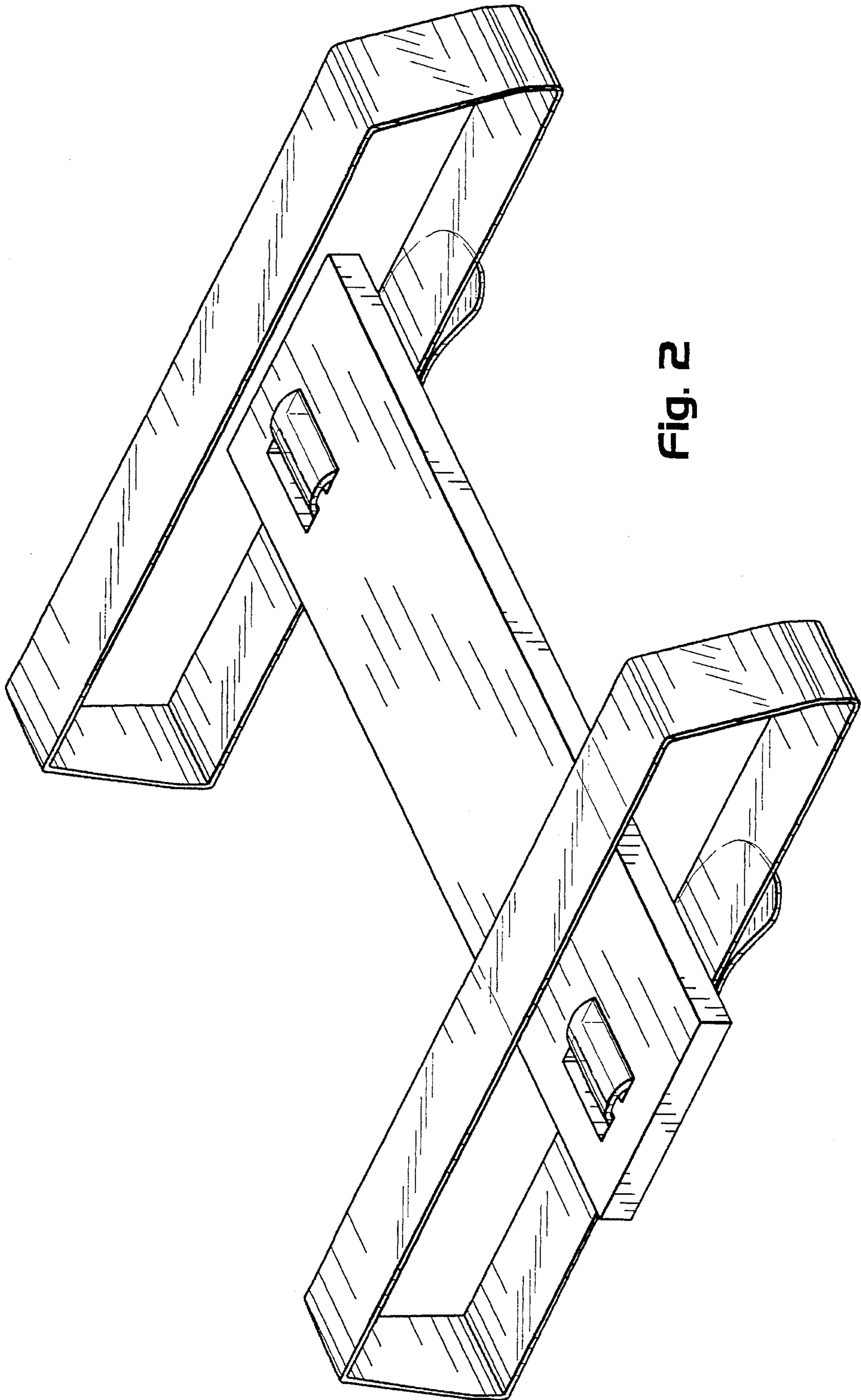


Fig. 2

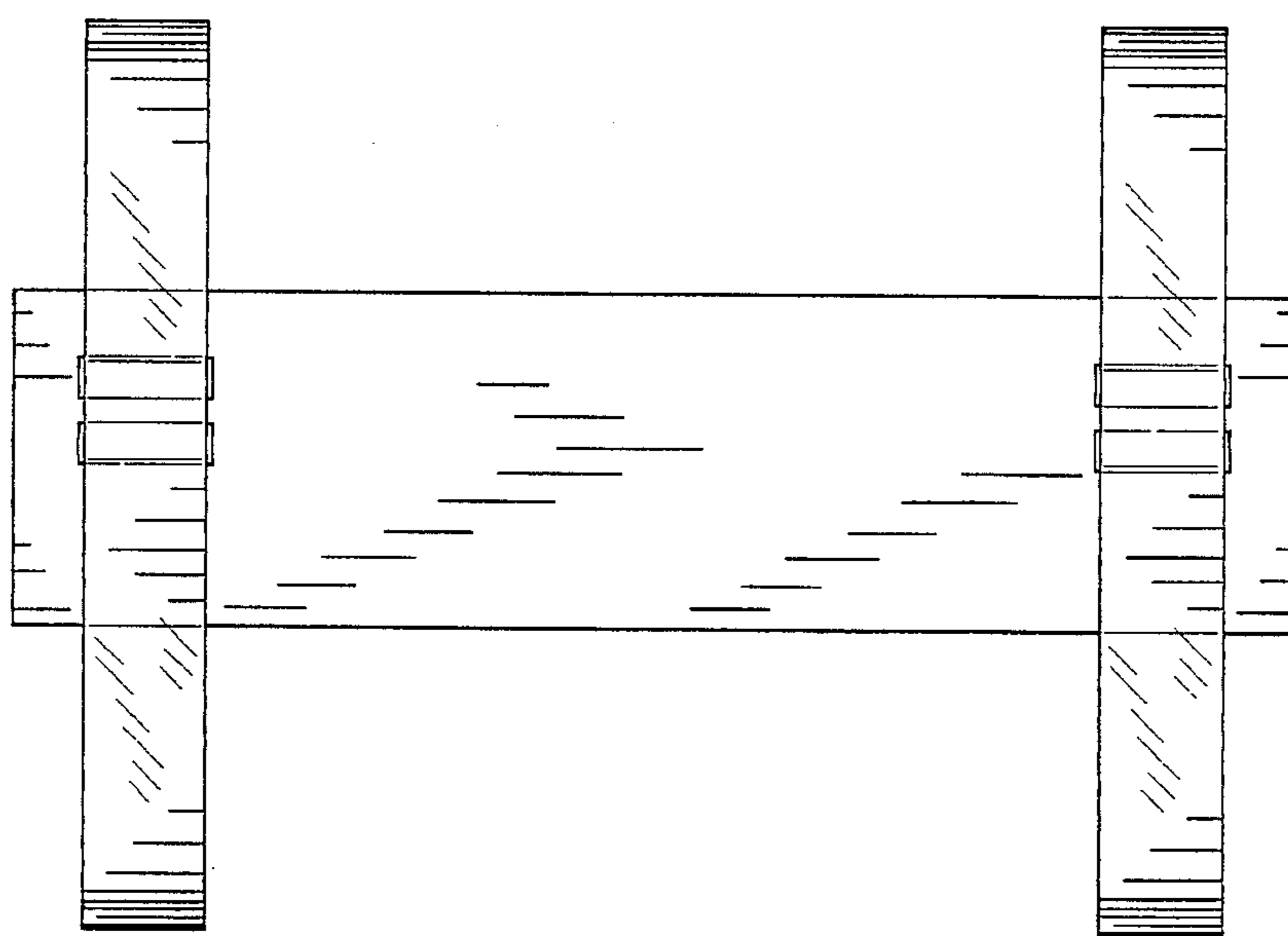


Fig. 3

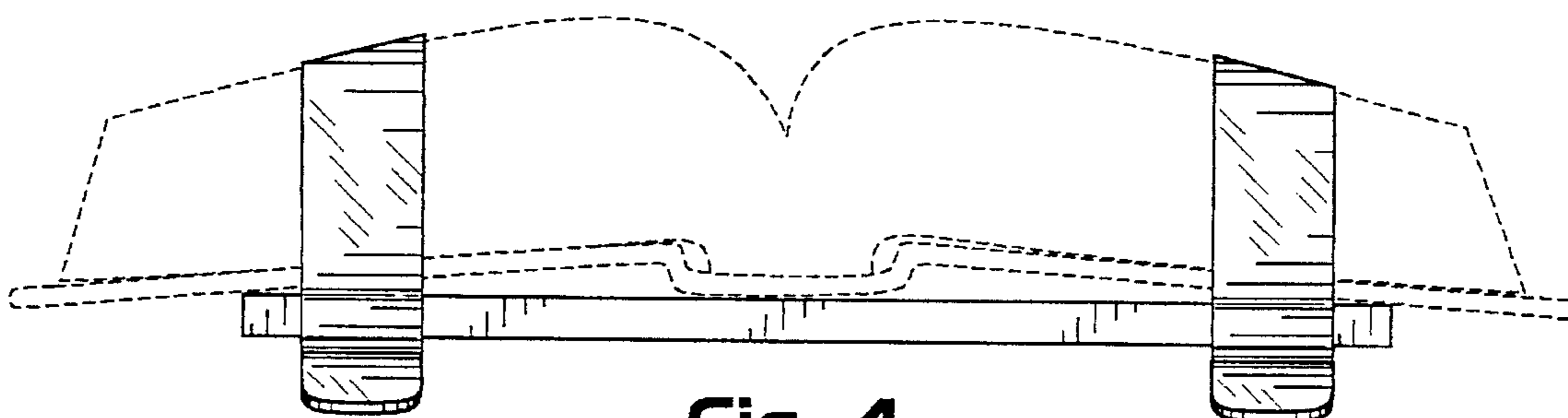


Fig. 4

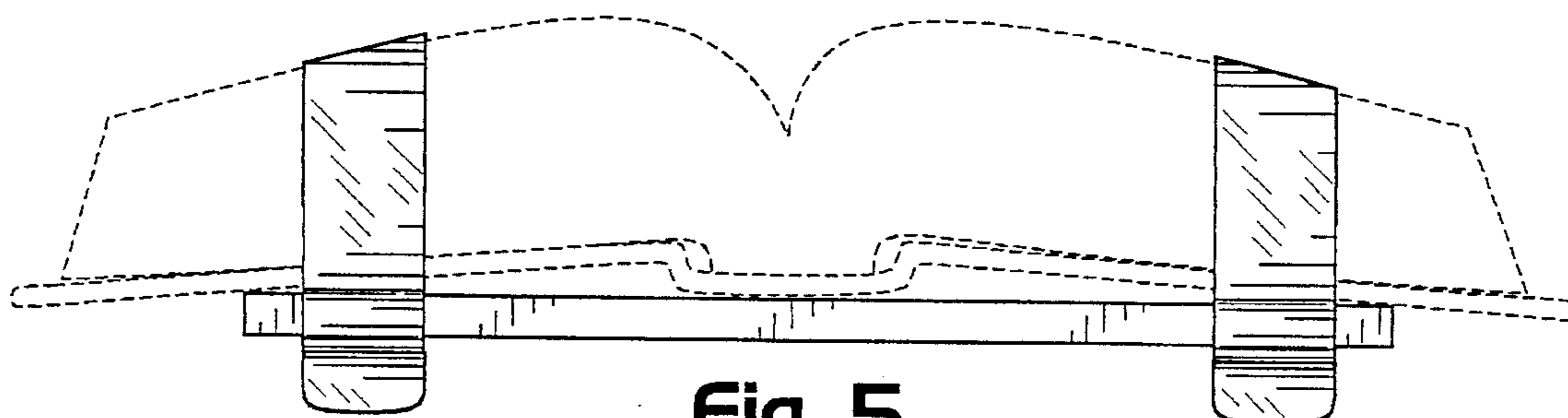


Fig. 5

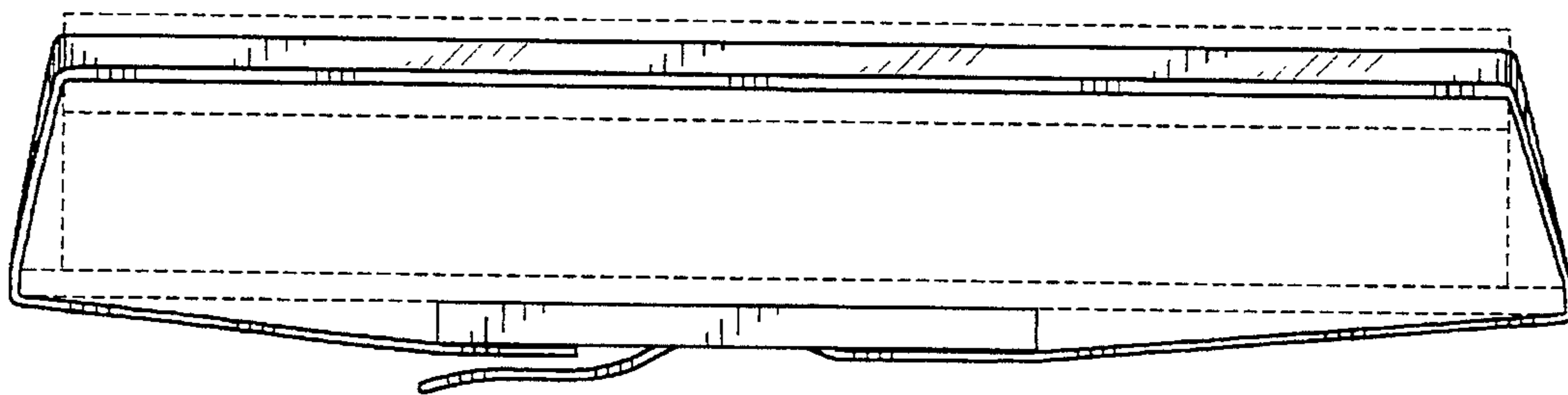


Fig. 6

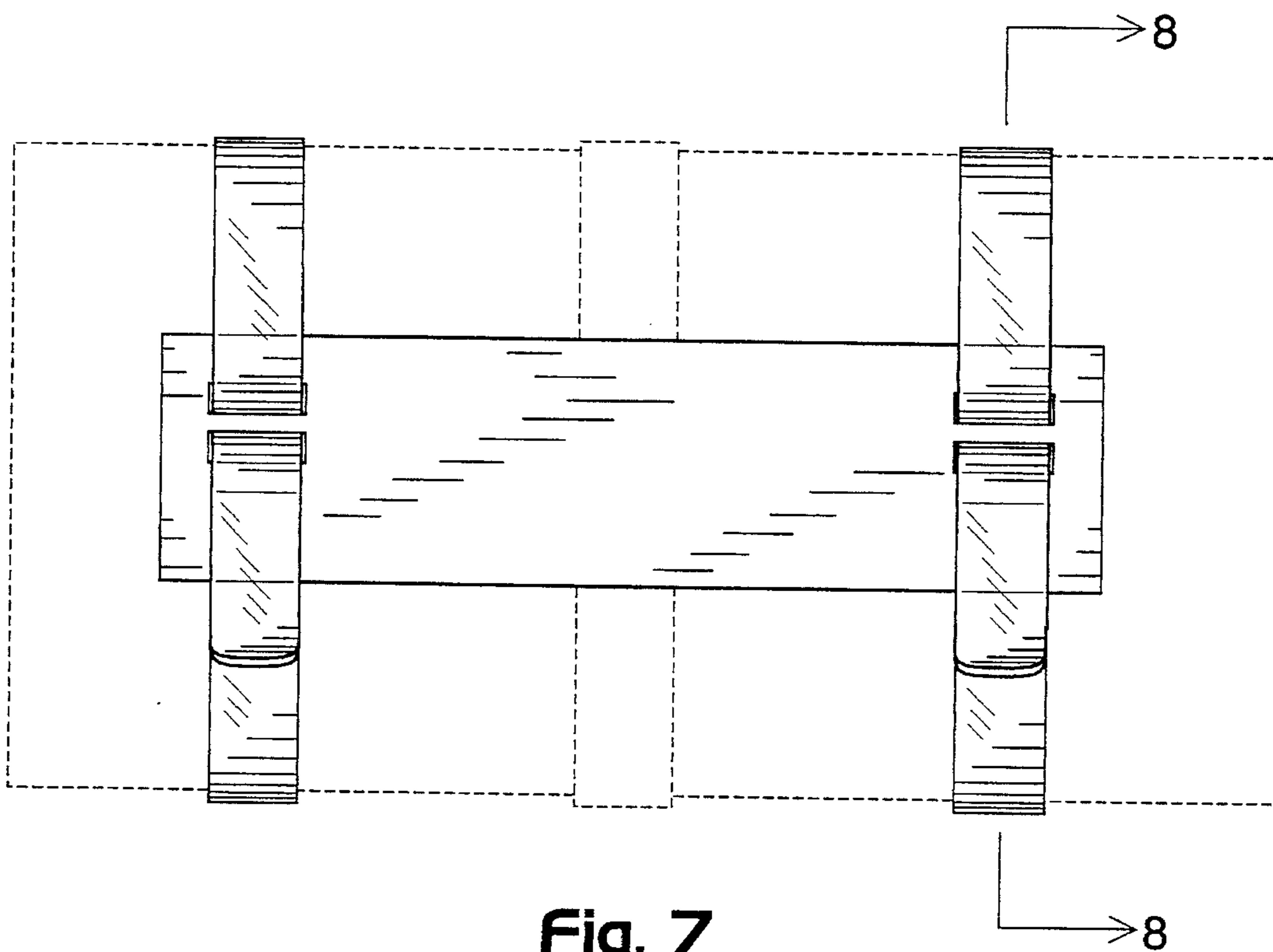


Fig. 7

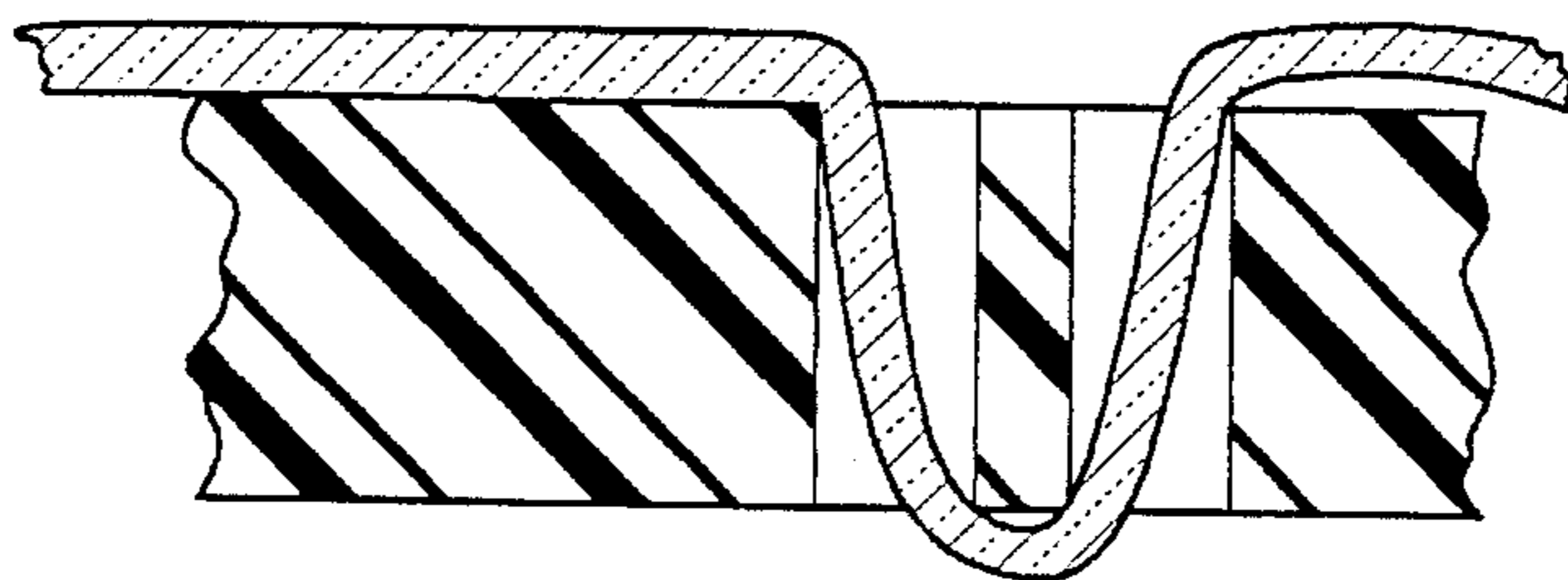


Fig. 8