



US00D373599S

United States Patent [19]

[11] Patent Number: **Des. 373,599**

Bernard

[45] Date of Patent: ****Sep. 10, 1996**

[54] **PHOTO ALBUM**

443067	6/1935	United Kingdom	D19/27
540847	of 1941	United Kingdom	402/8
1474563	of 1967	United Kingdom	402/8

[75] Inventor: **Alain Bernard**, Neung sur Beuvron, France

OTHER PUBLICATIONS

[73] Assignee: **Press Book Prat, Inc.**, San Jose, Calif.

Pratt Press Book ring binder sold in the United States as early as the year 1980.

[**] Term: **14 Years**

Pratt Press Book show book sold in the United States as early as the year 1994.

[21] Appl. No.: **41,664**

Primary Examiner—Susan J. Lucas
Assistant Examiner—Pamela Burgess
Attorney, Agent, or Firm—Jack M. Wiseman

[22] Filed: **Jul. 20, 1995**

[52] U.S. Cl. **D19/26**

[58] Field of Search D19/26, 27, 28, D19/29, 30, 31; 281/15.1, 21.1, 29, 22, 19.1, 37; 283/63.1, 64; 462/22 R, 22 A, 23 R; 402/65, 8, 9, 11, 13, 19

[57] CLAIM

The ornamental design for a photo album, as shown and described.

[56] References Cited

DESCRIPTION

U.S. PATENT DOCUMENTS

D. 115,067	5/1939	Farkas et al.	281/29
201,450	3/1878	Reynolds	281/29
286,111	10/1883	Bowman	281/22
391,602	10/1888	Forbriger	281/19.1
485,814	11/1892	Kent	281/29 X
2,194,985	3/1940	Price	281/21.1
2,207,602	7/1940	Trussell	281/29
2,548,618	4/1951	Purvis	281/27.1 X
2,602,542	7/1952	Spinner	402/19
3,145,481	8/1964	Aldershof	281/29

FIG. 1 is a front top perspective view of a photo album embodying the present invention;

FIG. 2 is a rear top perspective view of the photo album shown in FIG. 1;

FIG. 3 is a front bottom perspective view of the photo album shown in FIG. 1 with the front cover in an opened position, the undisclosed front top perspective view being the same; and,

FIG. 4 is a rear bottom perspective view of the photo album shown in FIG. 1, with the rear cover in an open position, the undisclosed rear top perspective view being the same.

FOREIGN PATENT DOCUMENTS

11652 of 1912 United Kingdom D19/27

1 Claim, 3 Drawing Sheets

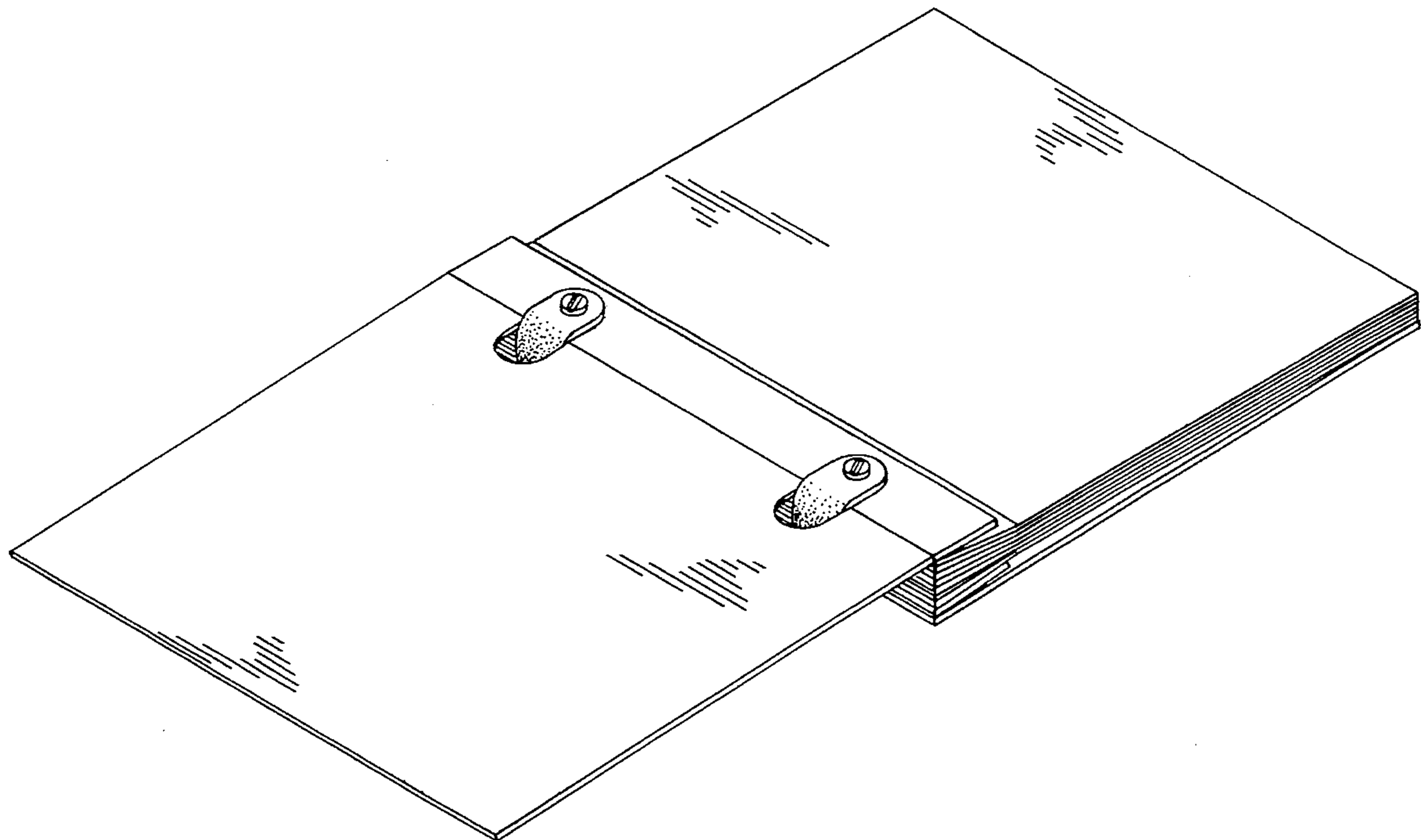


FIG. 1

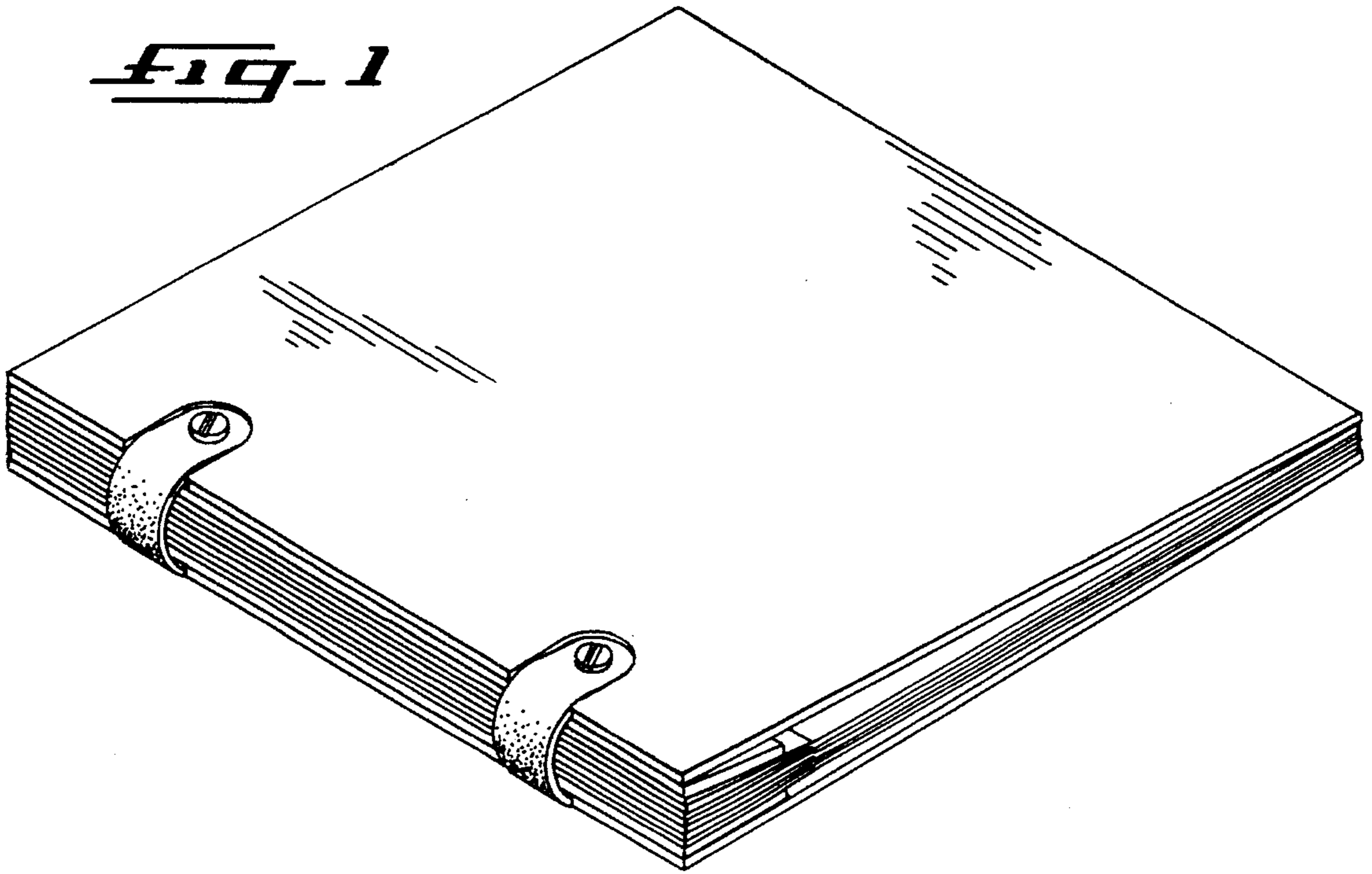
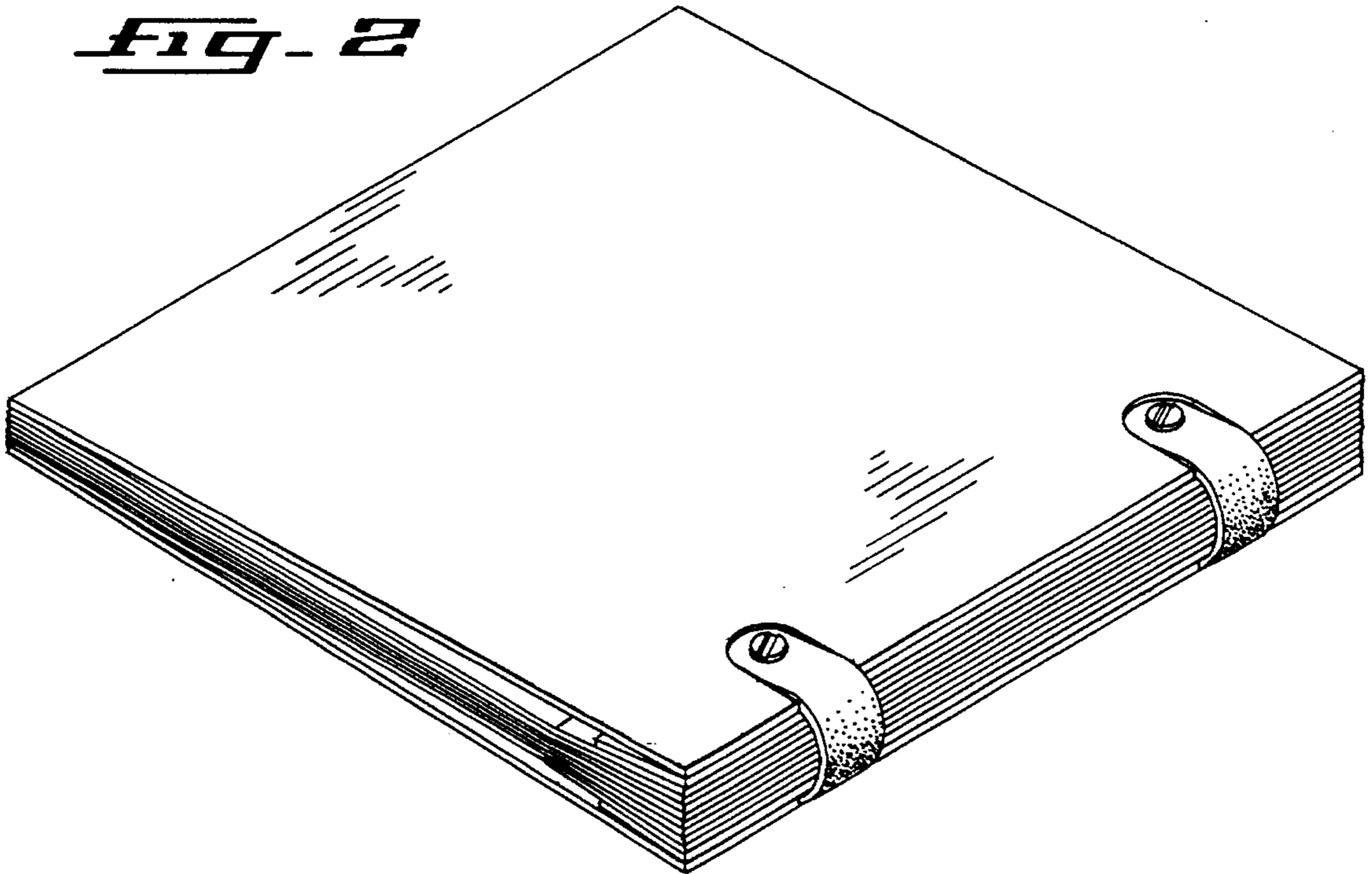


FIG. 2



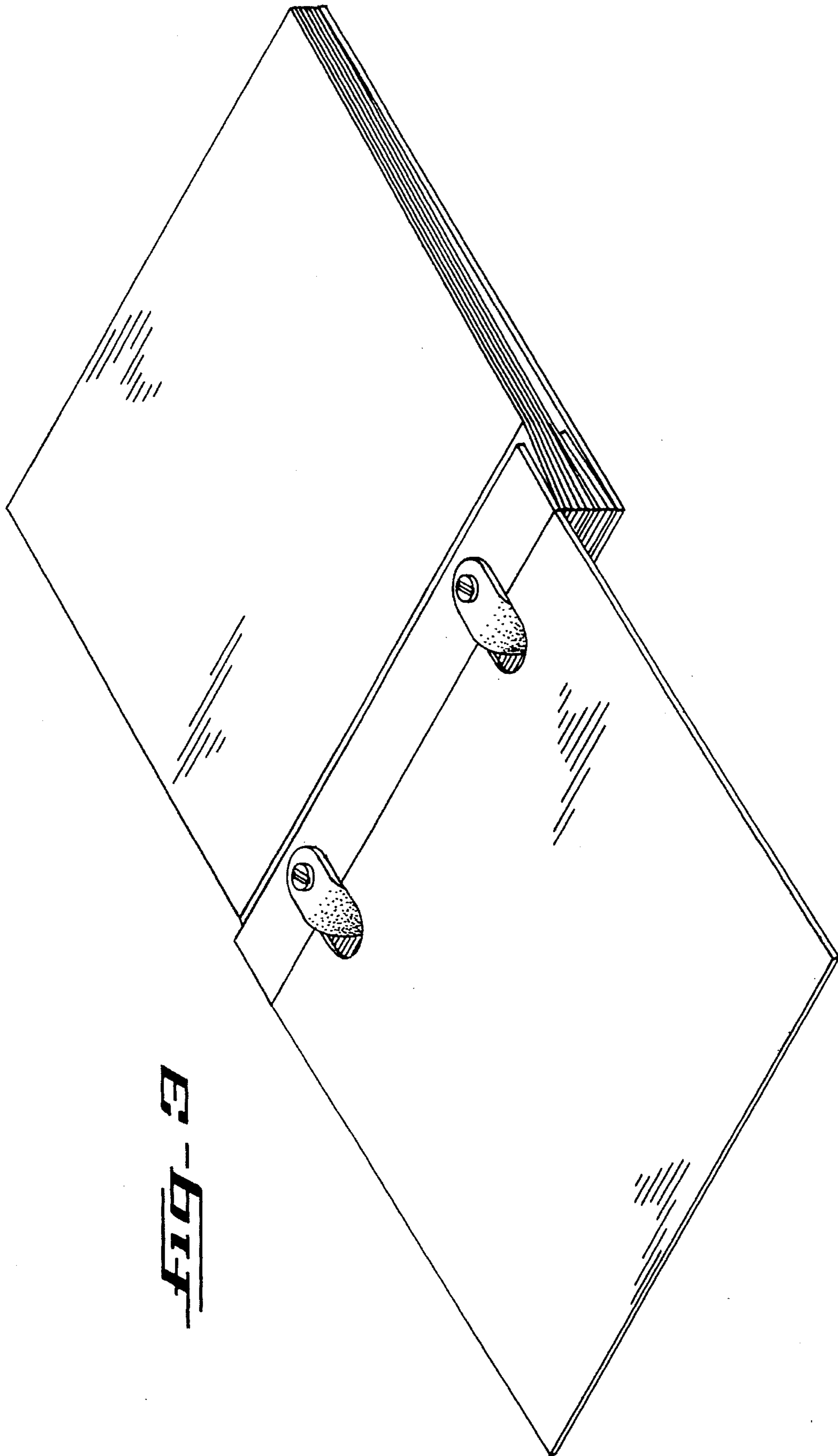


FIG. 3

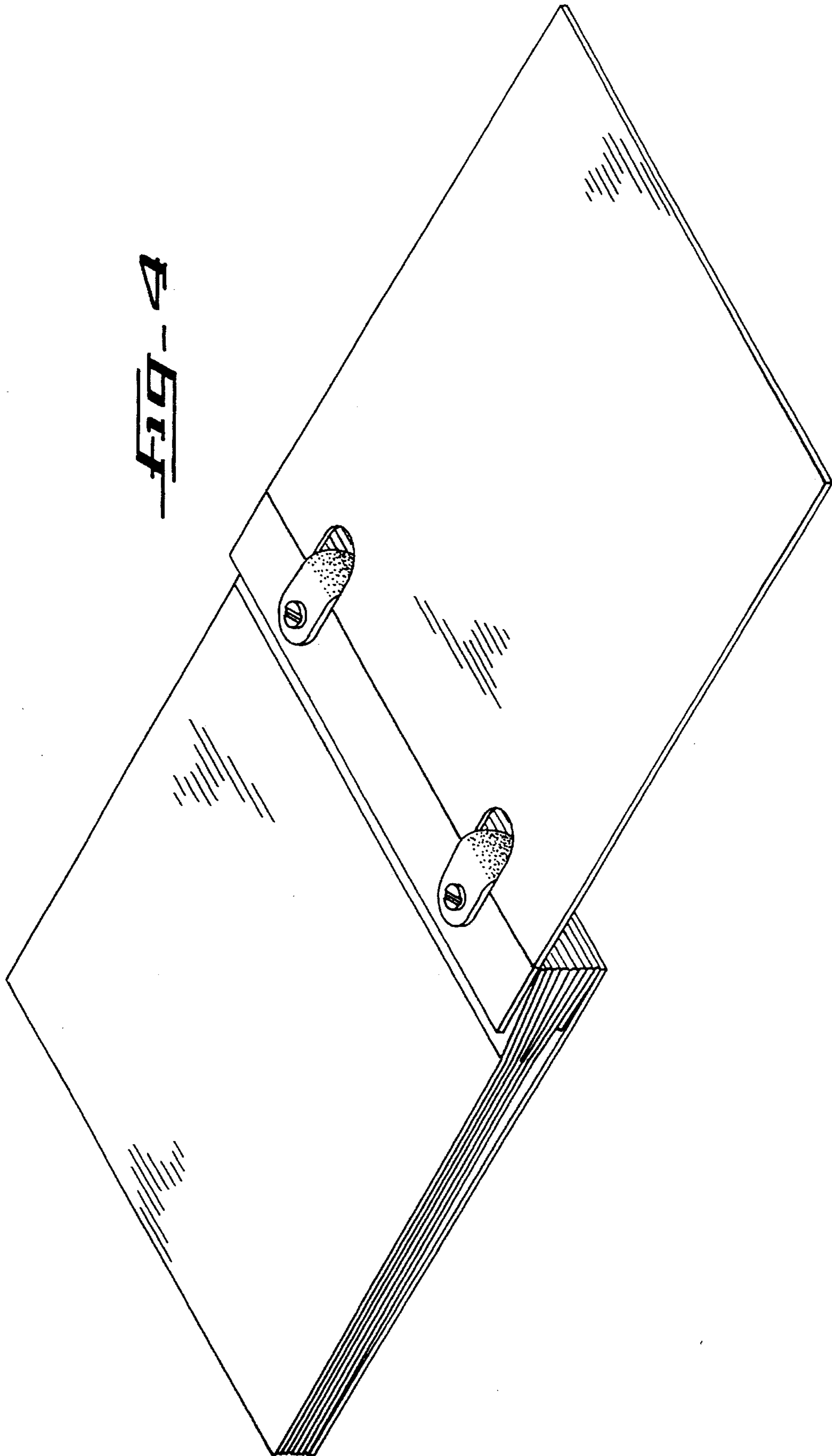


FIG. 4