



US00D373592S

United States Patent [19]

[11] Patent Number: Des. 373,592

Chan

[45] Date of Patent: **Sep. 10, 1996

[54] PAIR OF BINOCULARS

[76] Inventor: **Kwong C. Chan**, Flat A, 7th Floor, Manning Industrial Building, 118 How Ming Street, Kwun Tong, Kowloon, Hong Kong

[**] Term: 14 Years

[21] Appl. No.: 46,722

[22] Filed: Oct. 27, 1995

[30] Foreign Application Priority Data

May 1, 1995 [GB] United Kingdom 2047150

[52] U.S. Cl. D16/133

[58] Field of Search D16/132-133; 359/407-418, 480-482

[56] References Cited

U.S. PATENT DOCUMENTS

D. 305,902 2/1990 Wakayama et al. D16/133
2,002,782 5/1935 Lester 359/408

OTHER PUBLICATIONS

Selsi Co., Inc Catalog, 1968, p. 10, See Item #205.
Hong Kong Toys, Feb. 1995, p. 70, See Fold-Up Binoculars.
Hong Kong Enterprise, Mar. 1987, p. 309, See Item #3.0 and #3.5.

Primary Examiner—B. J. Bullock
Assistant Examiner—Stacia Sinuik
Attorney, Agent, or Firm—Browning, Bushman, Anderson & Brookhart

[57] CLAIM

The ornamental design for a pair of binoculars, as shown and described.

DESCRIPTION

FIG. 1 is a front, top and right side perspective view of a pair of binoculars showing my new design;

FIG. 2 is a front elevational view thereof;

FIG. 3 is a rear elevational view thereof;

FIG. 4 is a right side elevational view thereof;

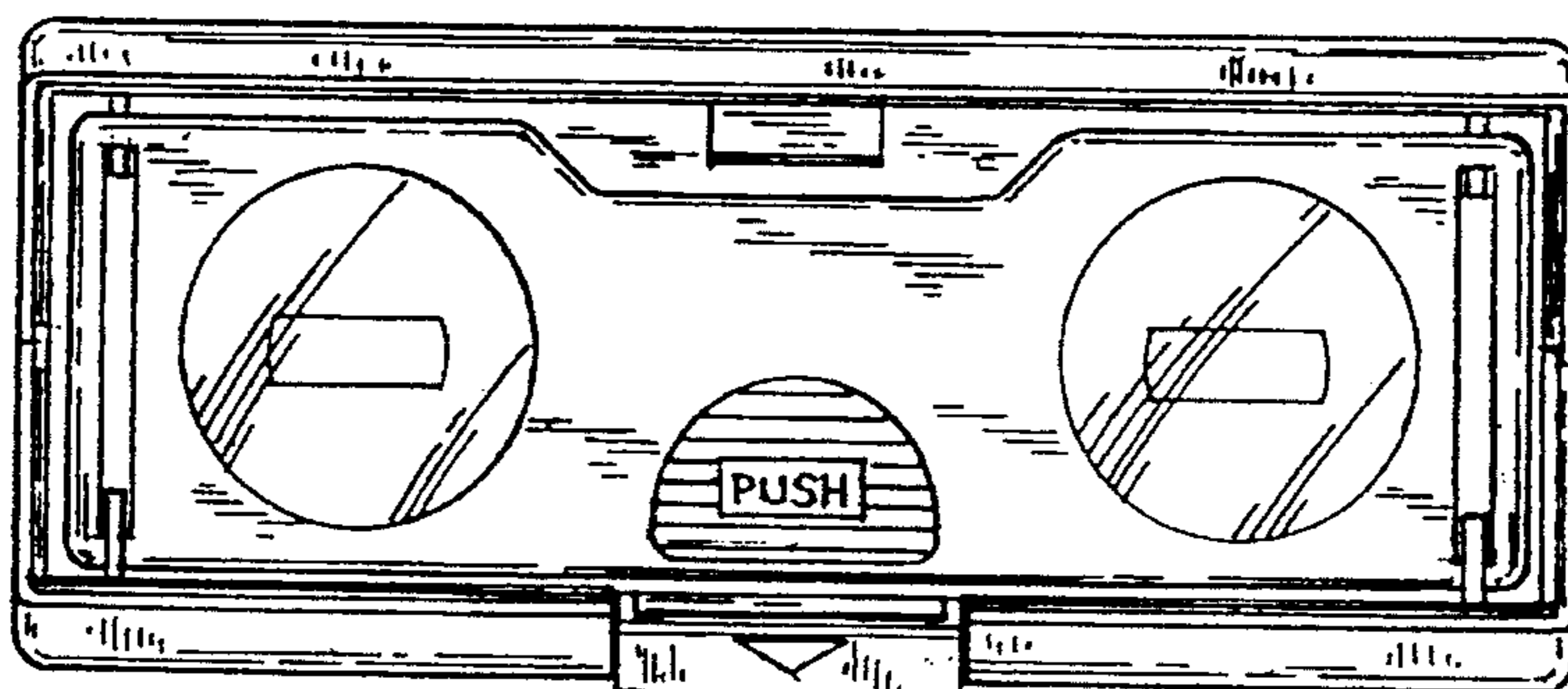
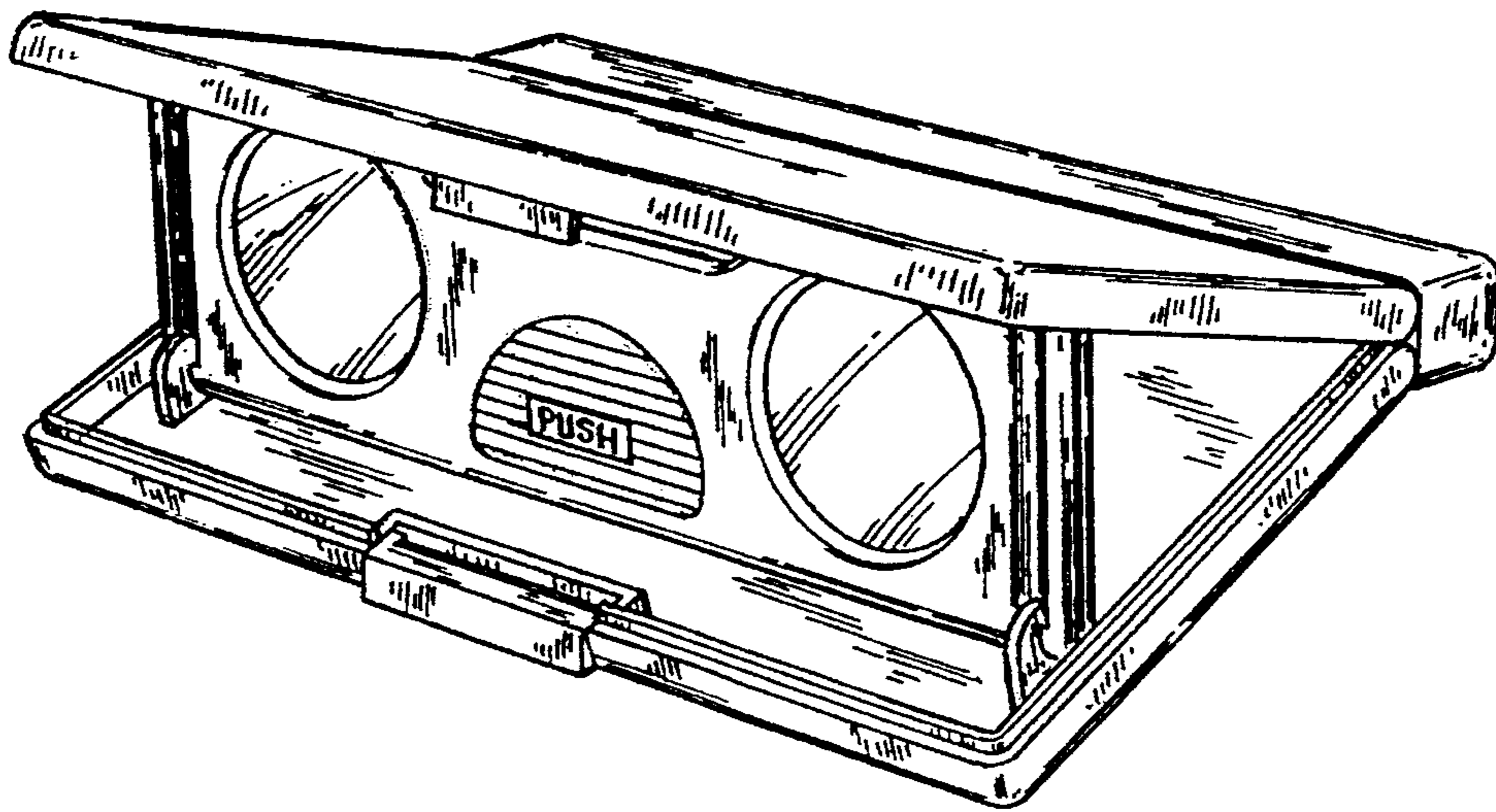
FIG. 5 is a left side elevational view thereof;

FIG. 6 is a top plan view thereof;

FIG. 7 is a bottom plan view thereof; and,

FIG. 8 is a front, top and left side perspective view thereof, in a collapsed condition.

1 Claim, 4 Drawing Sheets



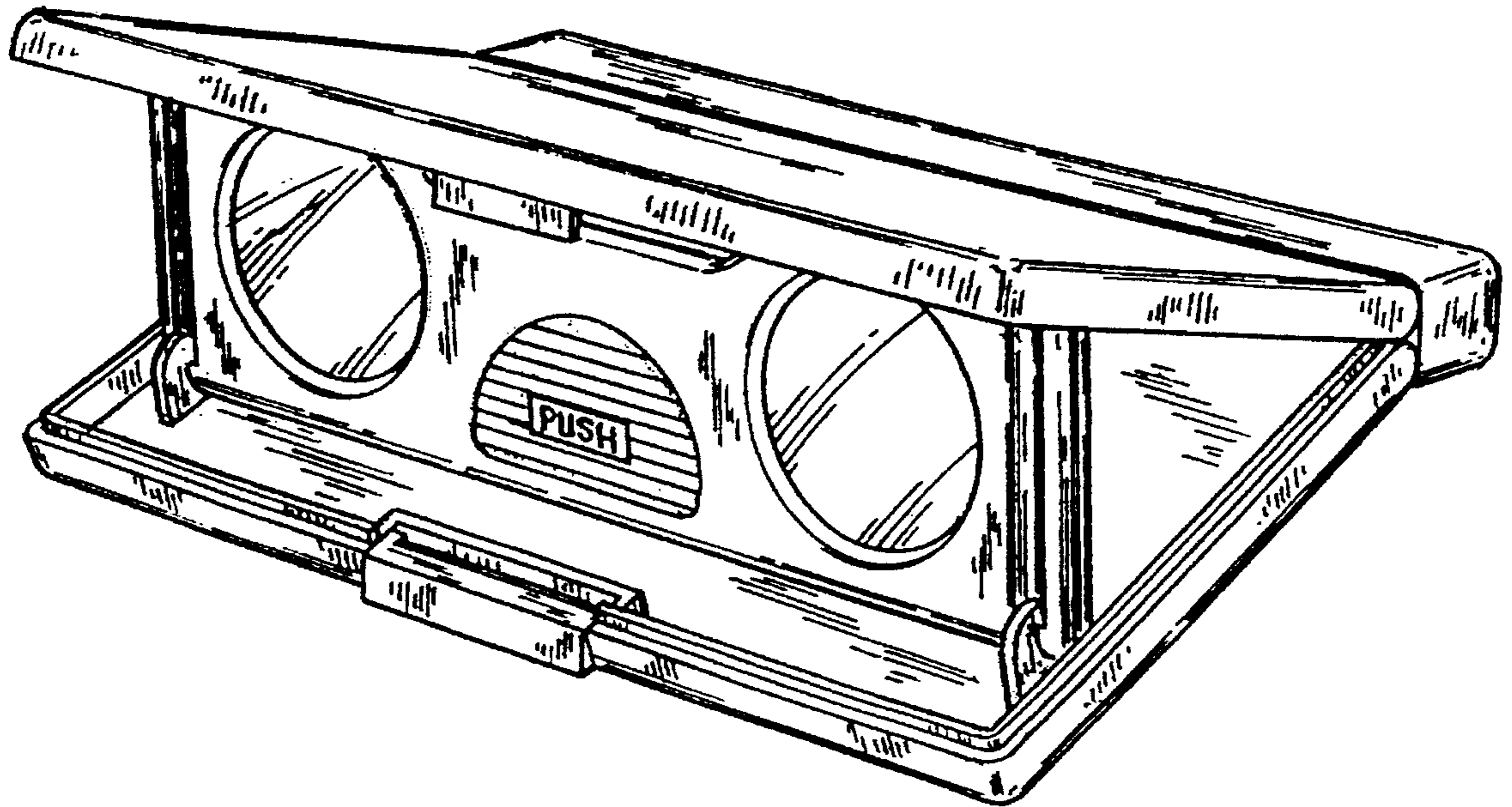


FIG. 1

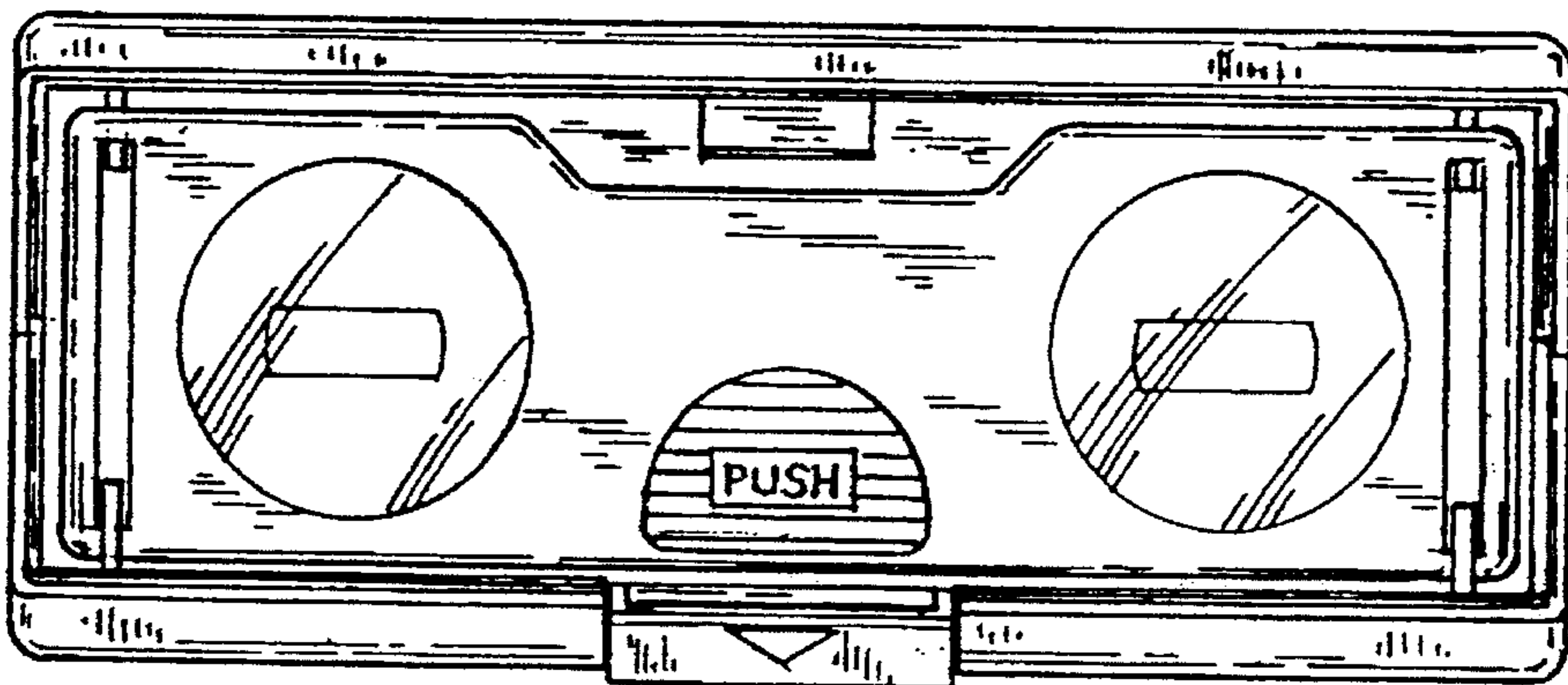


FIG. 2

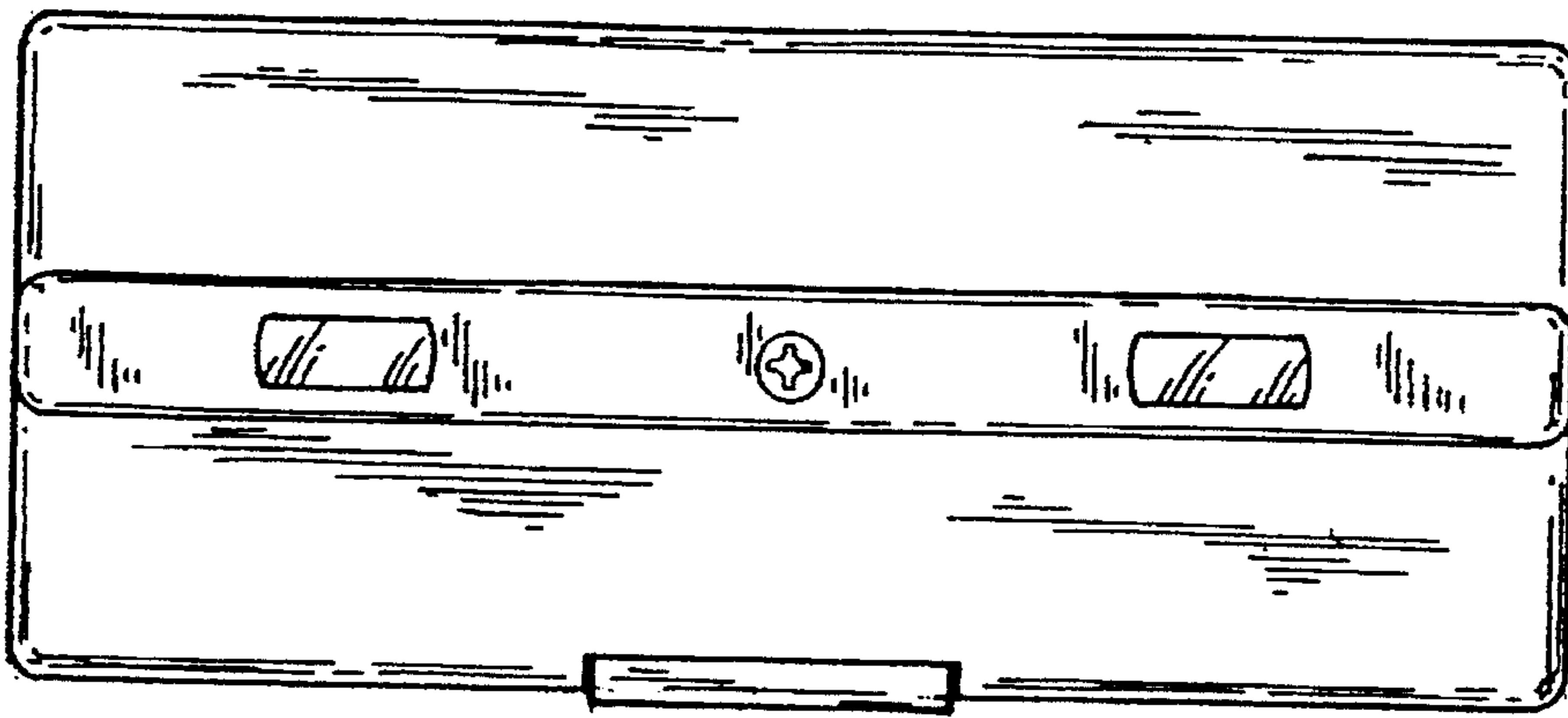


FIG. 3

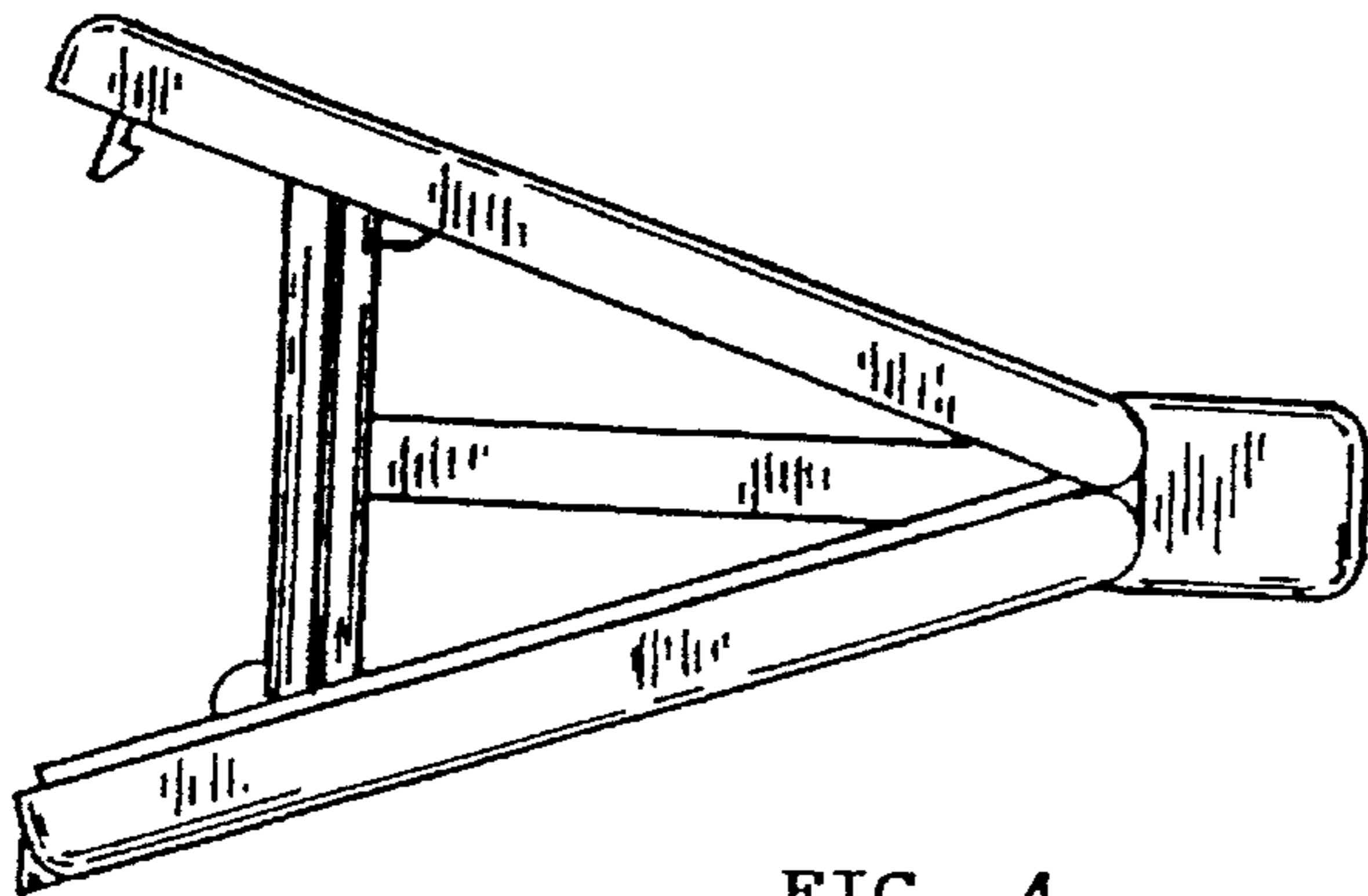


FIG. 4

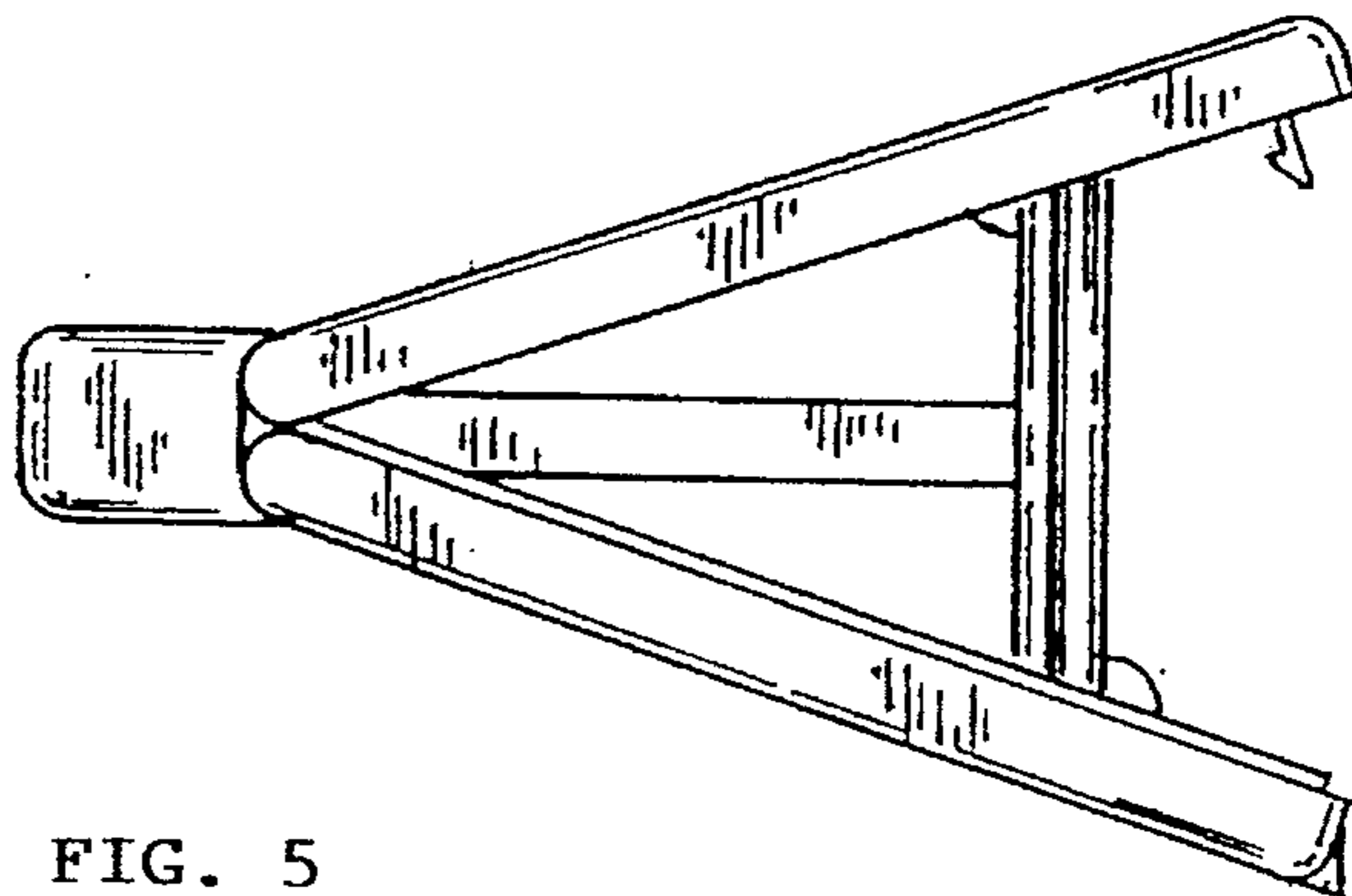


FIG. 5

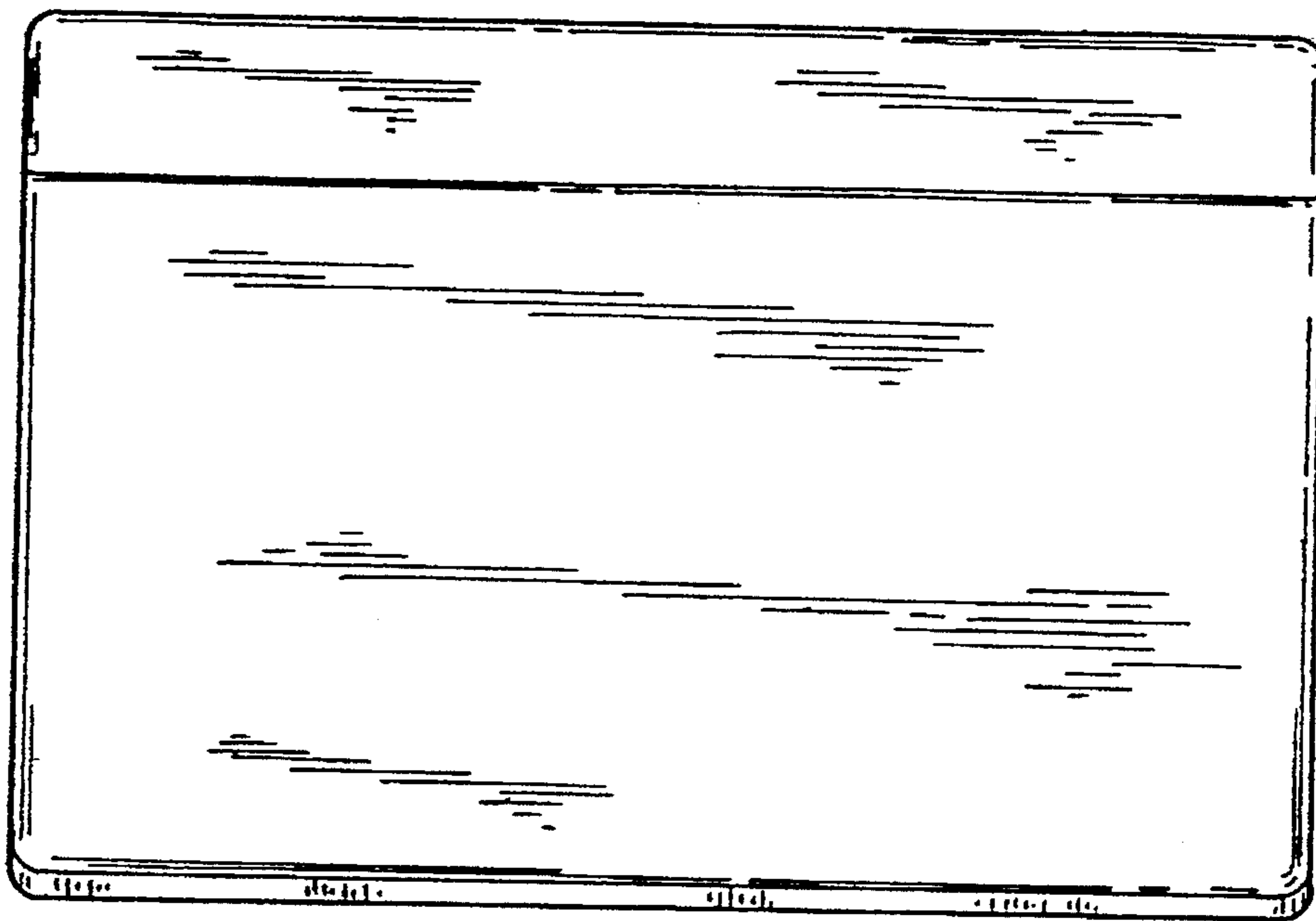


FIG. 6

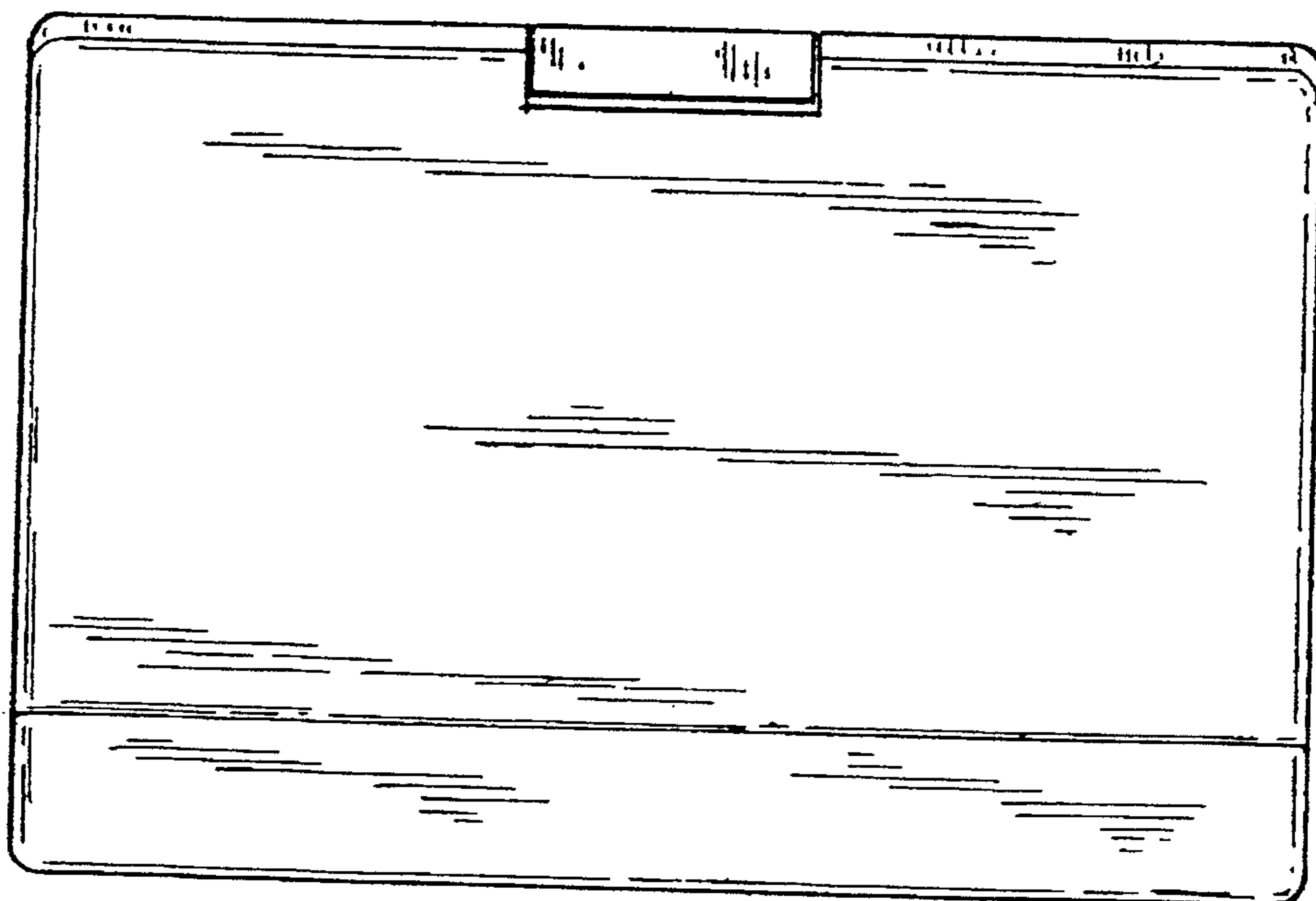


FIG. 7

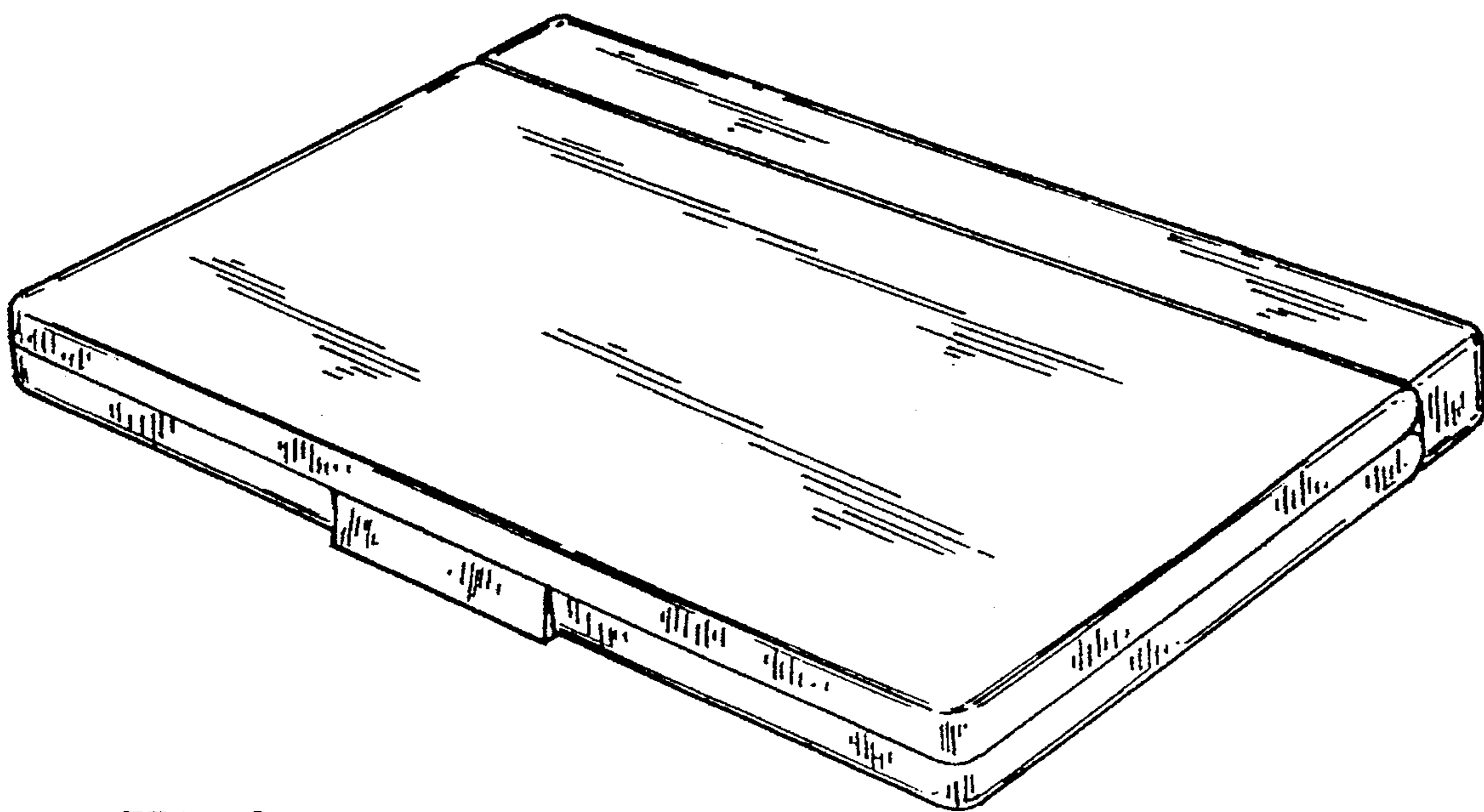


FIG. 8