



US00D373590S

United States Patent [19]

[11] Patent Number: **Des. 373,590**

Benson

[45] Date of Patent: ****Sep. 10, 1996**

[54] SNOW MOBILE ENGINE HEAD

[57] CLAIM

[76] Inventor: **Steven R. Benson**, 5919 S. 350 West,
Murray, Utah 84107

The ornamental design for a snow mobile engine head, as shown and described.

[**] Term: **14 Years**

DESCRIPTION

[21] Appl. No.: **28,856**

FIG. 1 is a bottom perspective view of a snow mobile engine head showing my new design showing, in broken lines, fitted to a snow mobile engine head cover with a gasket resting thereon;

[22] Filed: **Sep. 23, 1994**

[52] U.S. Cl. **D15/5**

FIG. 2 is a top perspective view of the snow mobile engine head, showing my new design;

[58] Field of Search D15/1-5; 123/193.5

FIG. 3 is a top plan view thereof;

[56] **References Cited**

FIG. 4 is a bottom plan view thereof;

U.S. PATENT DOCUMENTS

FIG. 5 is a left side elevation view thereof, the right side elevation view being a mirror image thereof; and,

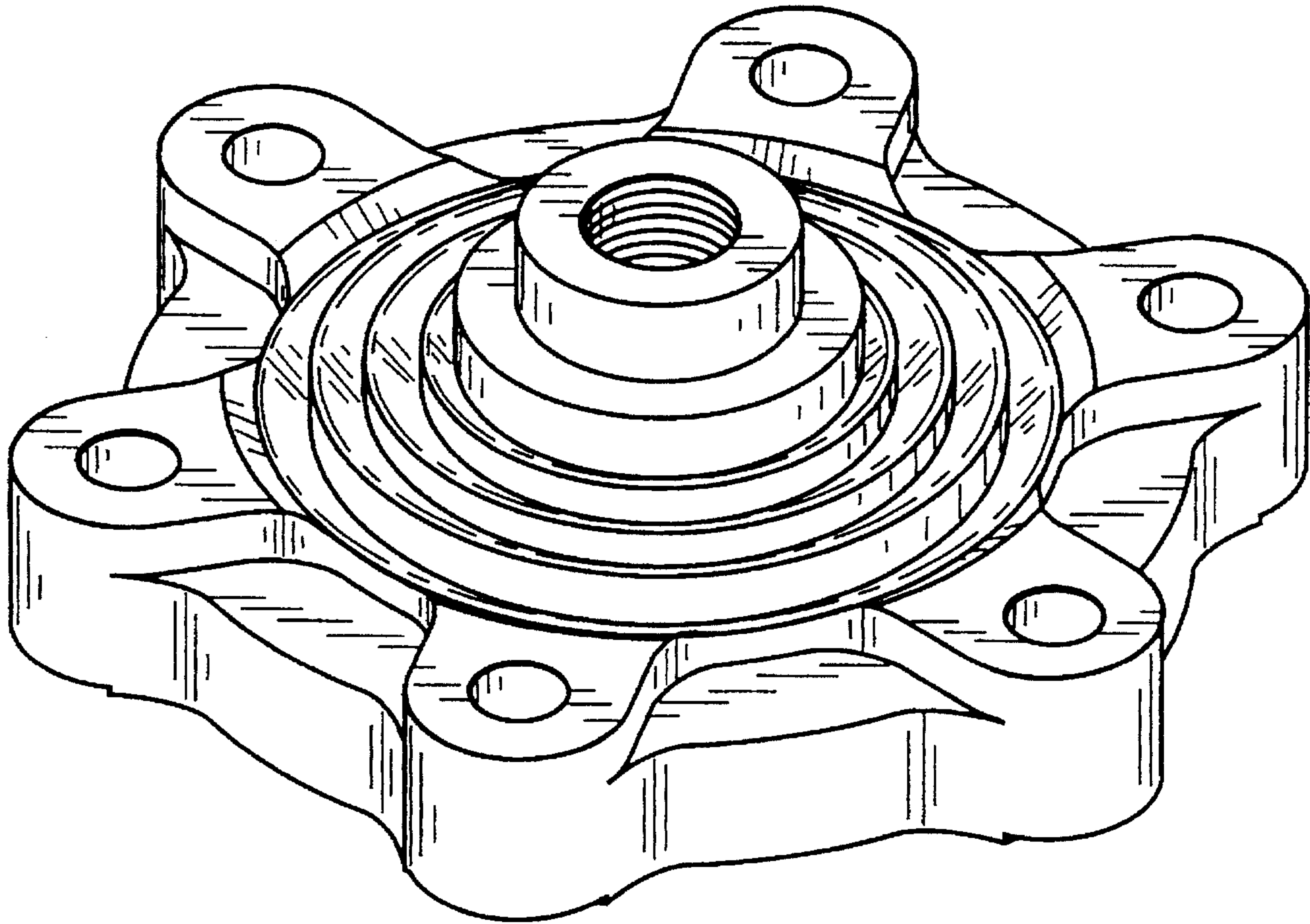
| | | | | |
|------------|---------|------------|-------|-------|
| D. 258,508 | 3/1981 | Serrambang | | D15/7 |
| D. 279,376 | 6/1985 | Davidson | | D15/5 |
| D. 340,933 | 11/1993 | Karlsson | | D15/5 |
| D. 344,274 | 2/1994 | Panzica | | D15/5 |

FIG. 6 is a front elevation view thereof, the rear elevation view being a mirror image thereof.

The broken line showing of the snow mobile engine head cover and gasket in FIG. 1 is for illustrative purposes only and forms no part of the claimed design.

Primary Examiner—Ralf Seifert
Attorney, Agent, or Firm—M. Reid Russell

1 Claim, 3 Drawing Sheets



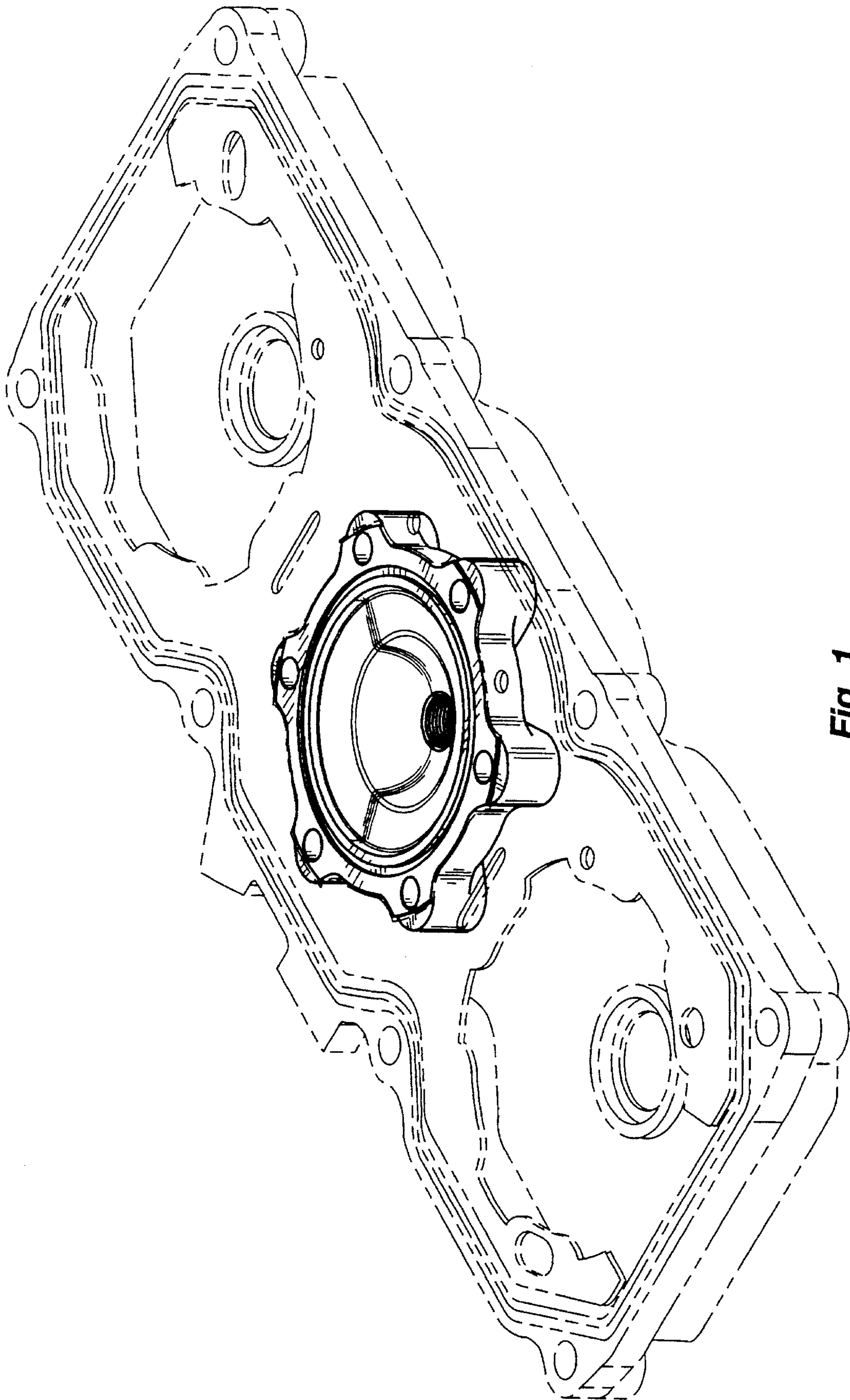


Fig. 1

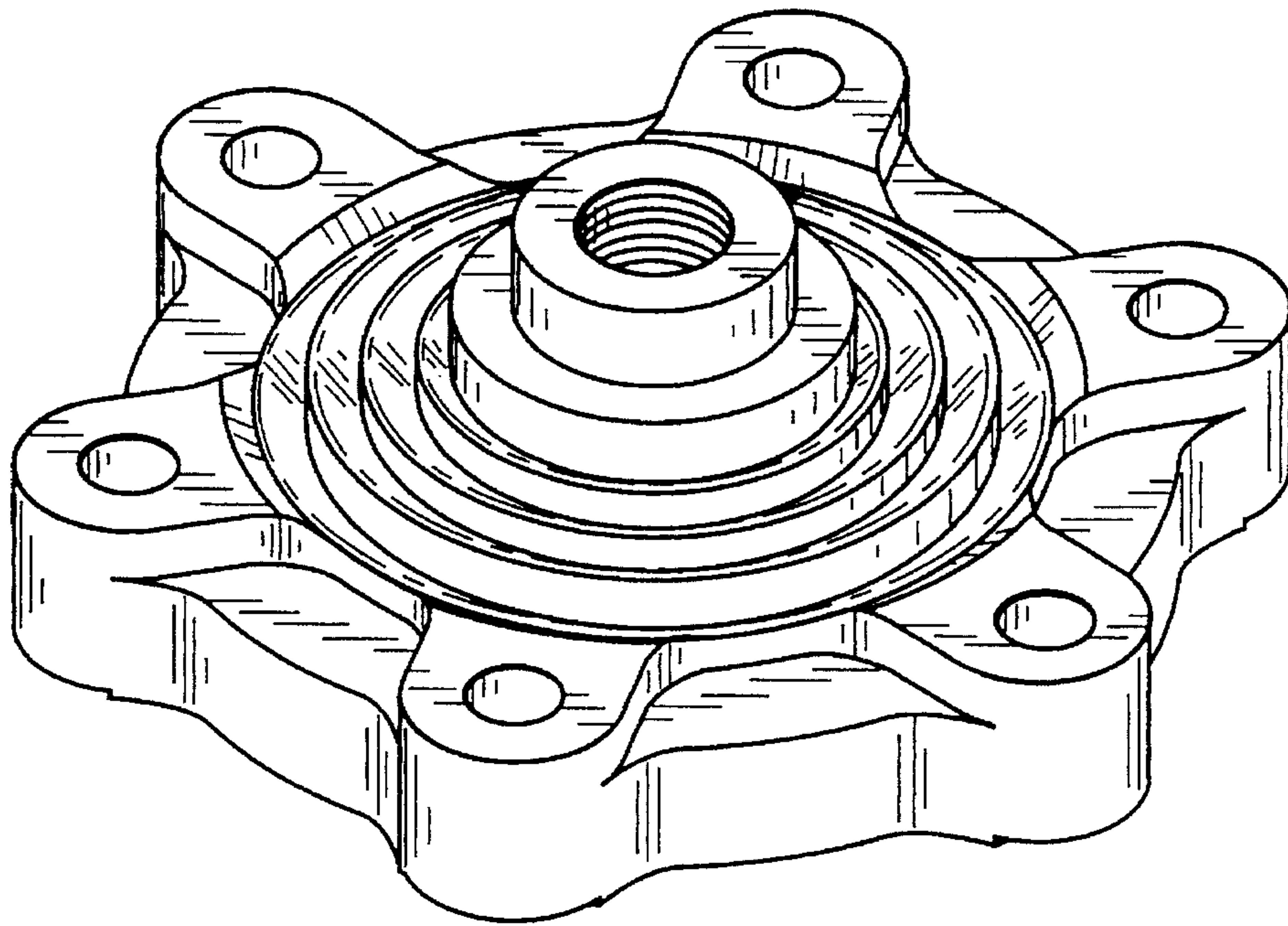


Fig. 2

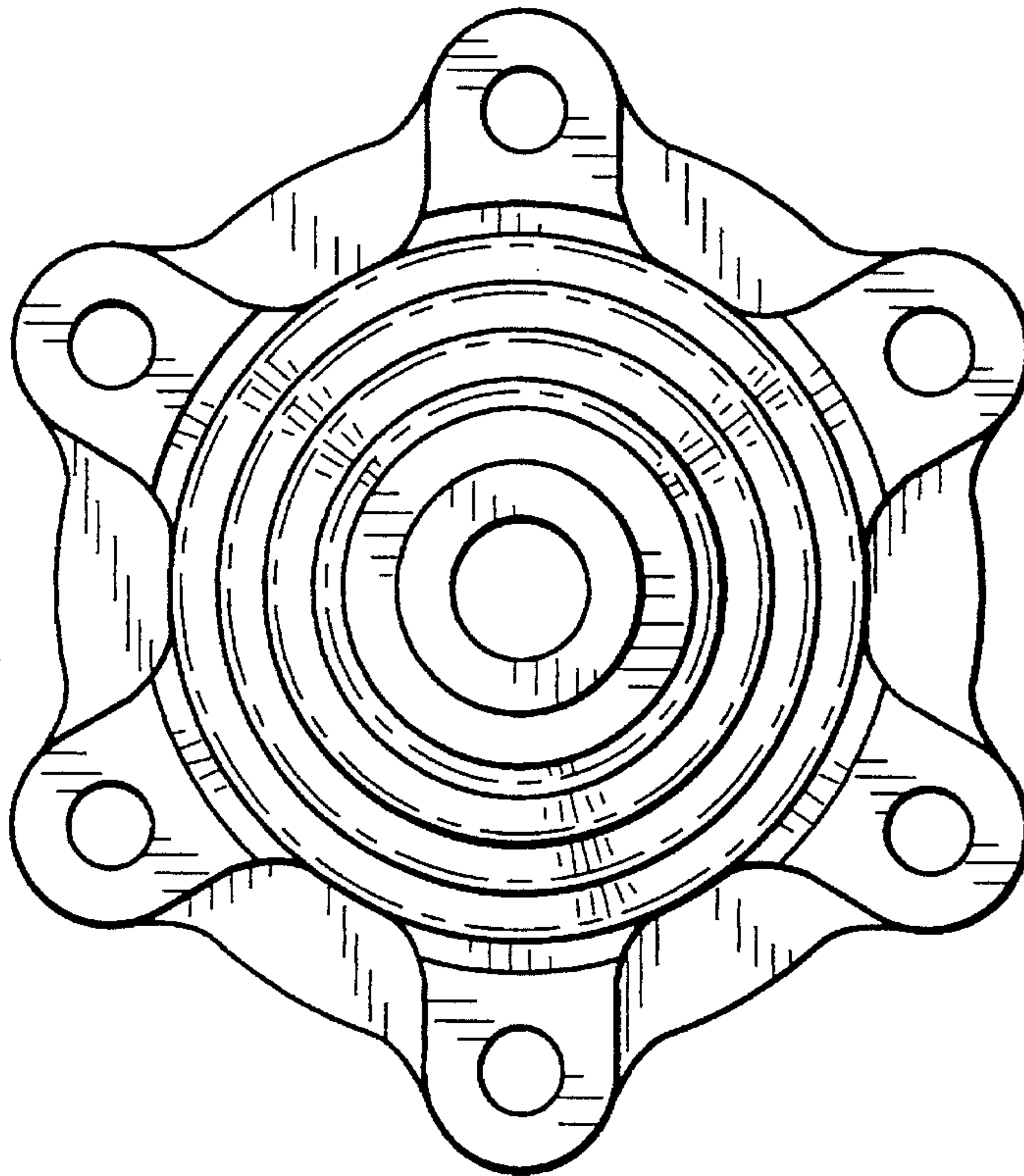


Fig. 3

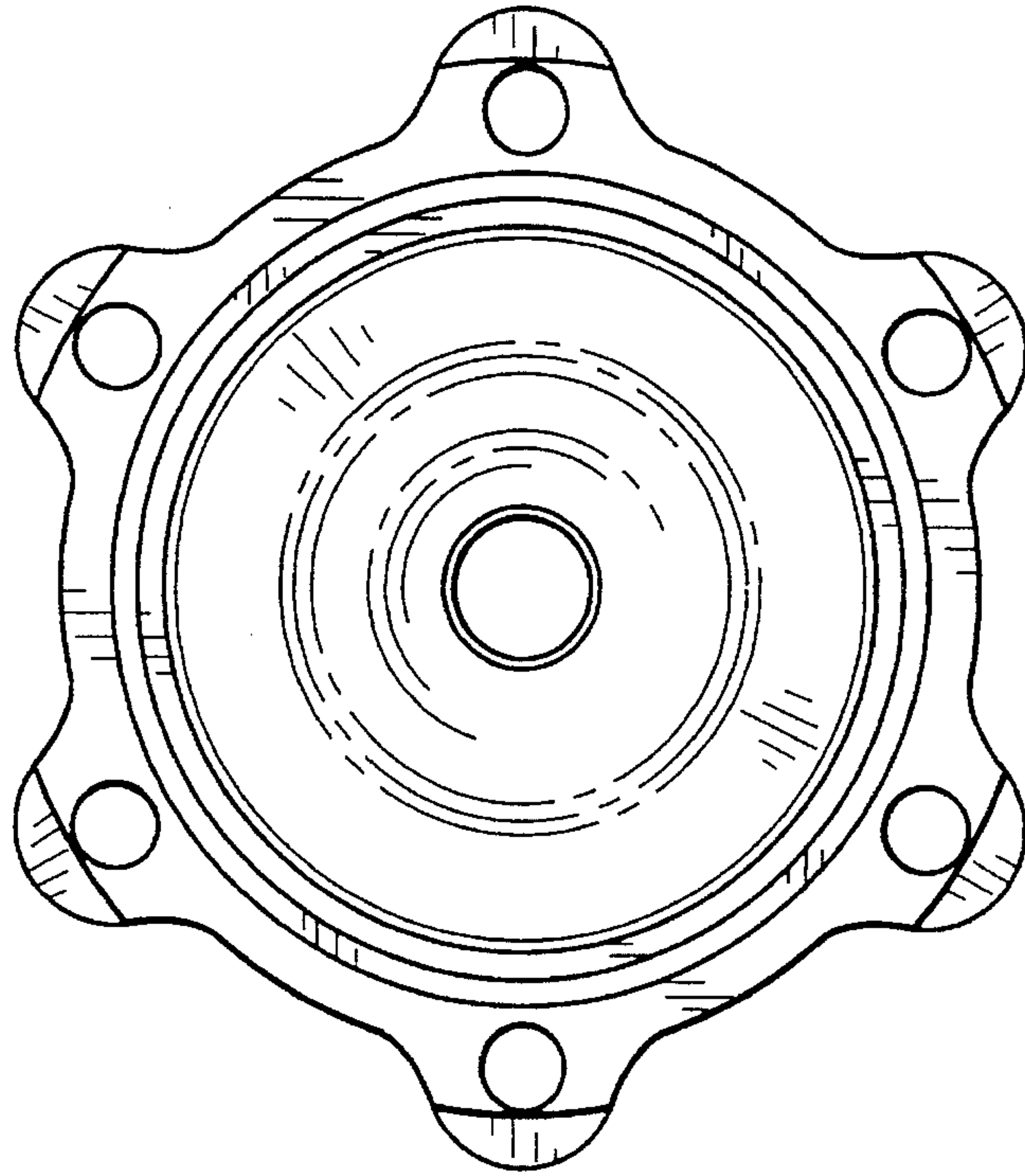


Fig. 4

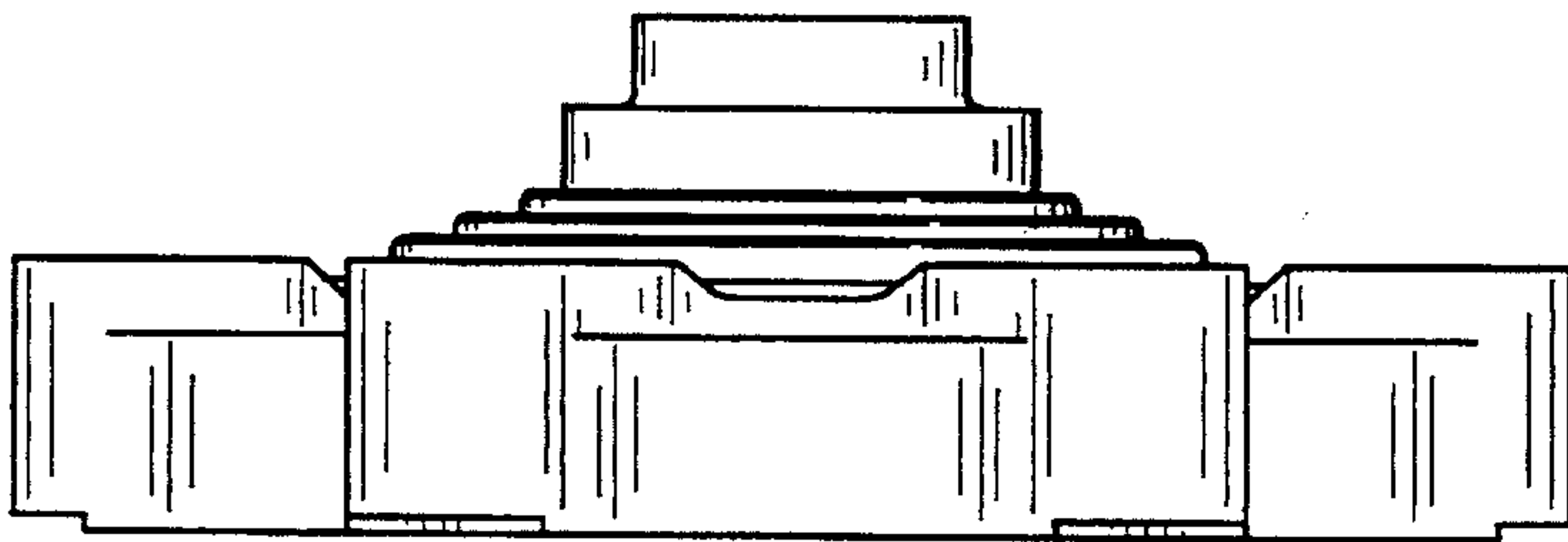


Fig. 5

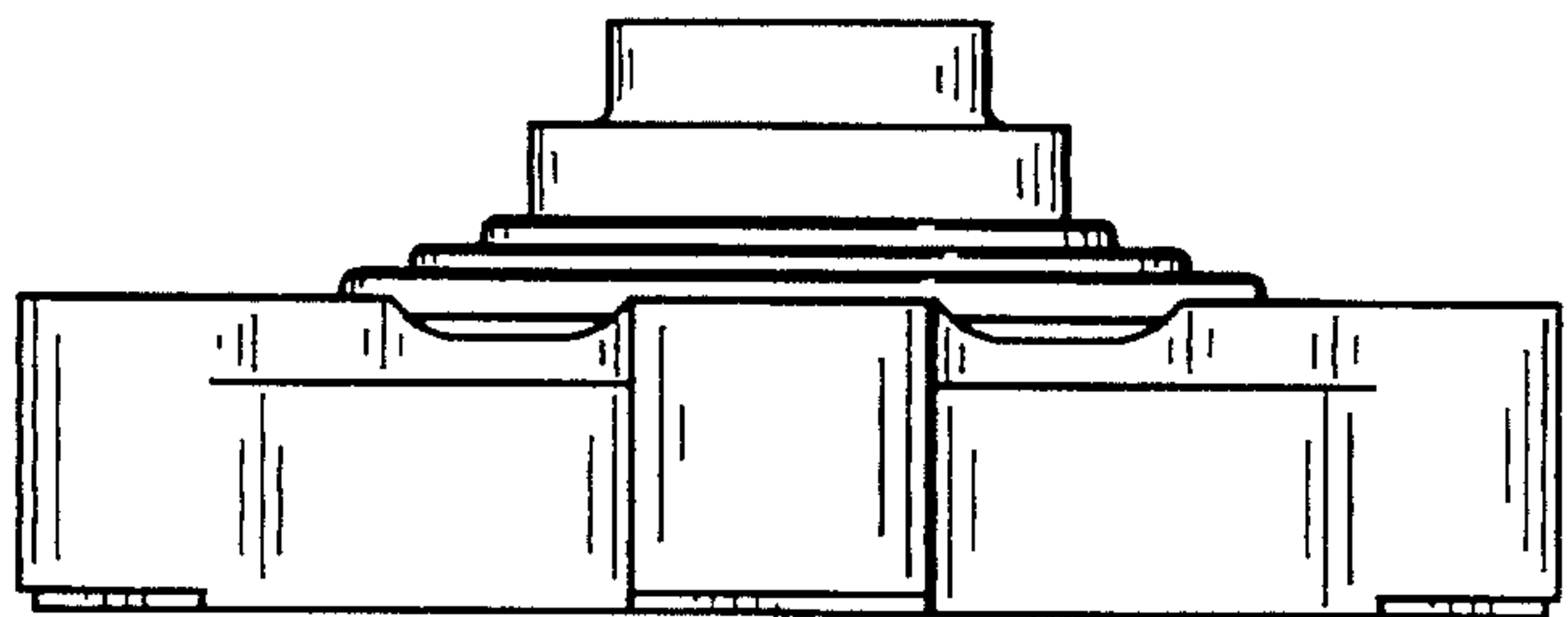


Fig. 6