



US00D373589S

# United States Patent [19]

Peterson et al.

[11] Patent Number: **Des. 373,589**

[45] Date of Patent: **\*\*Sep. 10, 1996**

[54] **FACE PLATE FOR A RECEIVER**

[75] Inventors: **Gary E. Peterson**, Schaumburg; **David J. Hanson**; **Raul Olivera**, both of Hoffman Estates; **Janice M. Weber**, Elgin, all of Ill.

[73] Assignee: **Motorola, Inc.**, Schaumburg, Ill.

[\*\*] Term: **14 Years**

[21] Appl. No.: **43,889**

[22] Filed: **Sep. 14, 1995**

[52] U.S. Cl. .... **D14/257**; D14/188

[58] Field of Search ..... D14/257, 188;  
455/347, 348, 349; 312/7.1

[56] **References Cited**

**U.S. PATENT DOCUMENTS**

D. 277,100 1/1985 Matsuda et al. .... D14/257

D. 279,182 6/1985 Shenk, Jr. .... D14/257  
D. 280,897 10/1985 Marshak .... D14/257  
D. 304,194 10/1989 Fuller et al. .... D14/257  
D. 355,197 2/1995 Farinelli et al. .... D14/257

*Primary Examiner*—Dominic Simone  
*Attorney, Agent, or Firm*—Susan L. Lukasik

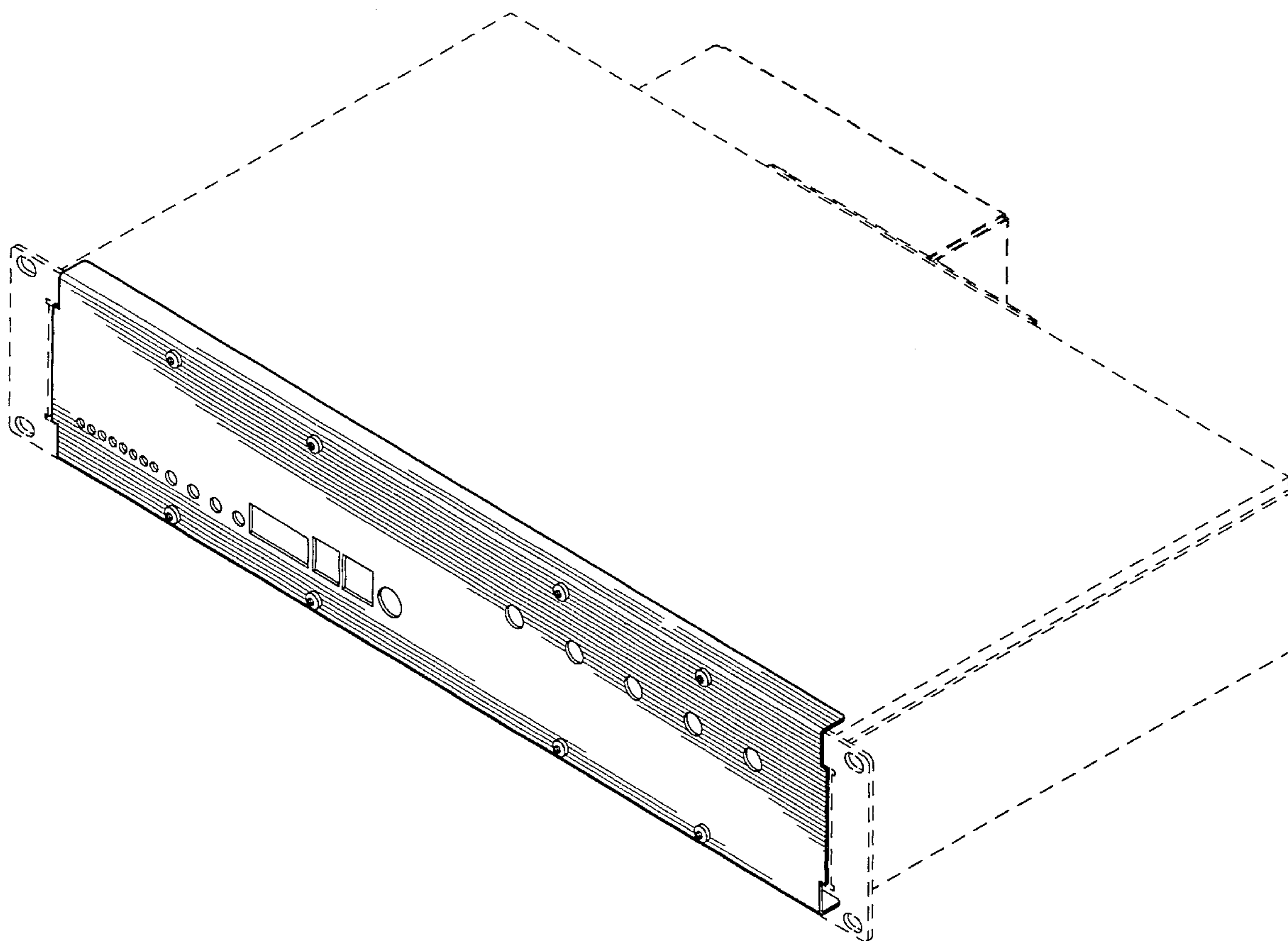
[57] **CLAIM**

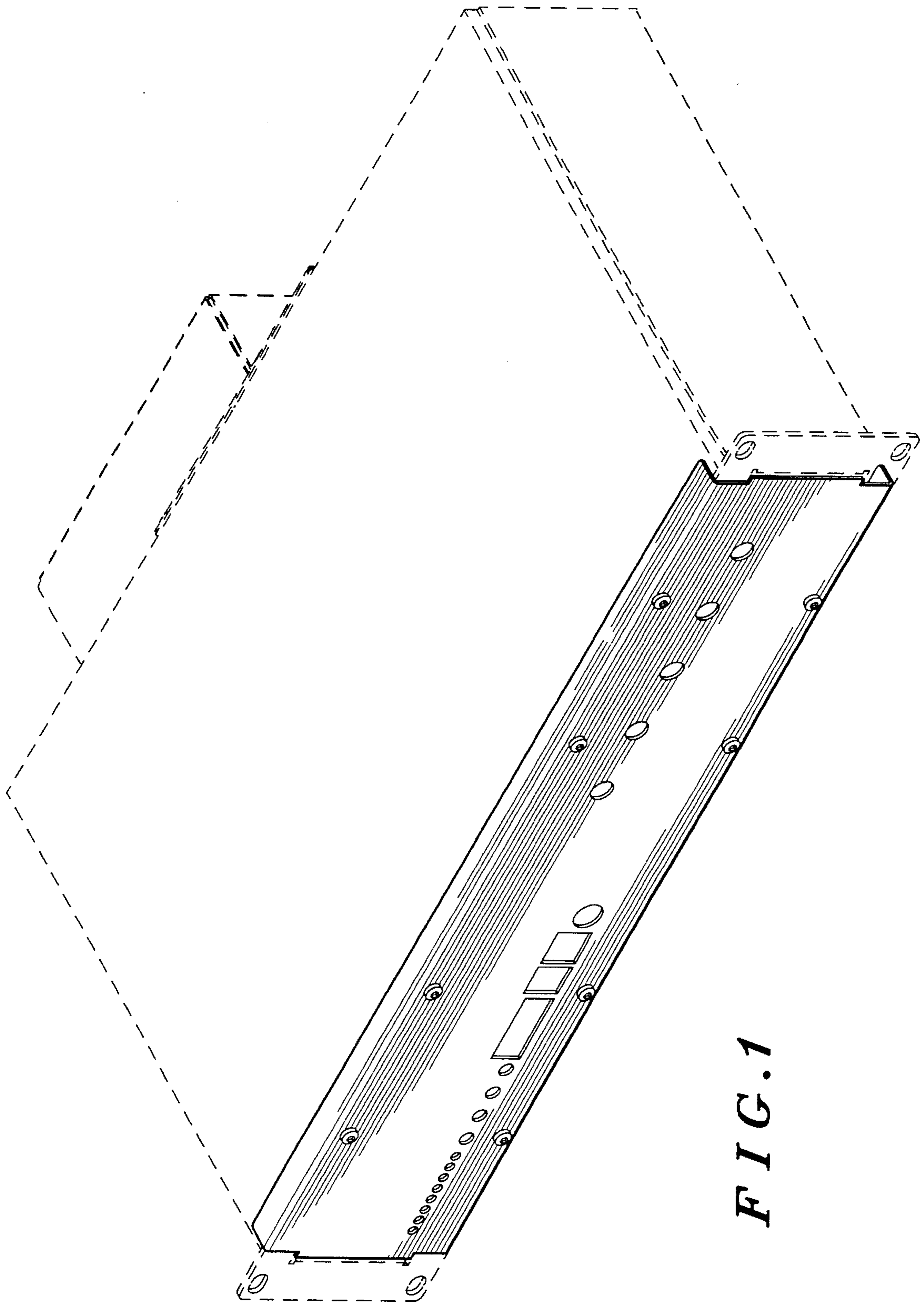
The ornamental design for an face plate for a receiver, as shown and described.

**DESCRIPTION**

FIG. 1 is a top, right, and front perspective view;  
FIG. 2 is a rear elevational view;  
FIG. 3 is a bottom plan view; and,  
FIG. 4 is a left elevational view.

**1 Claim, 2 Drawing Sheets**





*FIG. 1*

FIG. 2

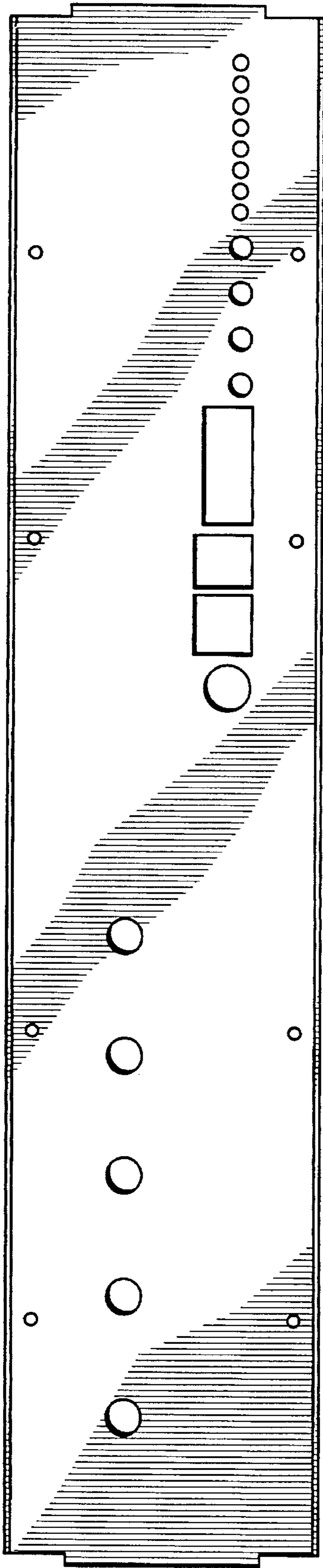


FIG. 3



FIG. 4

