



US00D373584S

United States Patent [19]

[11] Patent Number: **Des. 373,584**

Anand

[45] Date of Patent: ****Sep. 10, 1996**

[54] ENTERTAINMENT SYSTEM DISPLAY STAND

5,355,885 10/1994 Tsuda et al. 128/653.2

FOREIGN PATENT DOCUMENTS

[75] Inventor: **Prem K. Anand**, Roswell, Ga.

WO93/14487 7/1993 WIPO 40/606

[73] Assignee: **Health Images, Inc.**, Atlanta, Ga.

OTHER PUBLICATIONS

[**] Term: **14 Years**

Nuclear Associates, "New! Hi-Tech MRI Video System" brochure no date.

[21] Appl. No.: **40,934**

Avotec, "Silent Vision" brochure no date.

[22] Filed: **Jun. 28, 1995**

Nuclear Associates, "MRI Patient Relaxation Systems!" brochure no date.

[52] U.S. Cl. **D14/126; D14/113; D20/41; D24/150**

Nuclear Associates, "Advanced High-Tech Plus MRI Audio System" brochure no date.

[58] Field of Search D6/470, 449, 450, D6/396; D20/10, 16, 17, 19, 29, 41; 40/610, 606, 607; D24/158, 159, 160; 378/98, 98.5, 99, 204, 210, 162, 167; 128/653.2; D14/113, 125, 126; D10/93; 358/249, 254, 255; 345/156, 168, 173; 248/917-924

Nuclear Associates, "MRI Patient Alert System" brochure no date.

Primary Examiner—Jeffrey Asch

Attorney, Agent, or Firm—Hopkins & Thomas; Scott A. Horstemeyer

[56] References Cited

[57] CLAIM

U.S. PATENT DOCUMENTS

The ornamental design for an entertainment system display stand, as shown.

D. 212,346	10/1968	Shea	D6/449
D. 275,970	10/1984	Bowers	D6/470
D. 305,647	1/1990	Kato et al.	D18/4 X
D. 324,863	3/1992	Timm	D14/126
D. 346,286	4/1994	Caponigro et al.	D20/41 X
D. 346,830	5/1994	Masujima et al.	D20/41
D. 354,052	1/1995	Imai	D14/126 X
D. 357,468	4/1995	Rodd	D14/113
D. 359,311	6/1995	Stangarone	D20/10
4,134,222	1/1979	Orsos	40/606
4,322,905	4/1982	Kruse	40/606
4,329,800	5/1982	Shuman	40/606
4,696,030	9/1987	Egozi	379/167
4,901,141	2/1990	Costello	358/93
5,076,275	12/1991	Bechor et al.	128/653.2
5,134,373	7/1992	Tsuruno et al.	324/309
5,277,184	1/1994	Messana	128/653.5
5,283,595	2/1994	Krukovsky	40/606 X
5,339,813	8/1994	DeYoe et al.	128/653.1

DESCRIPTION

FIG. 1 is a perspective view of an entertainment system display stand showing our new design;

FIG. 2 is a front elevational view of the entertainment system display stand of FIG. 1;

FIG. 3 is a left side elevational view of the entertainment system display stand of FIG. 1;

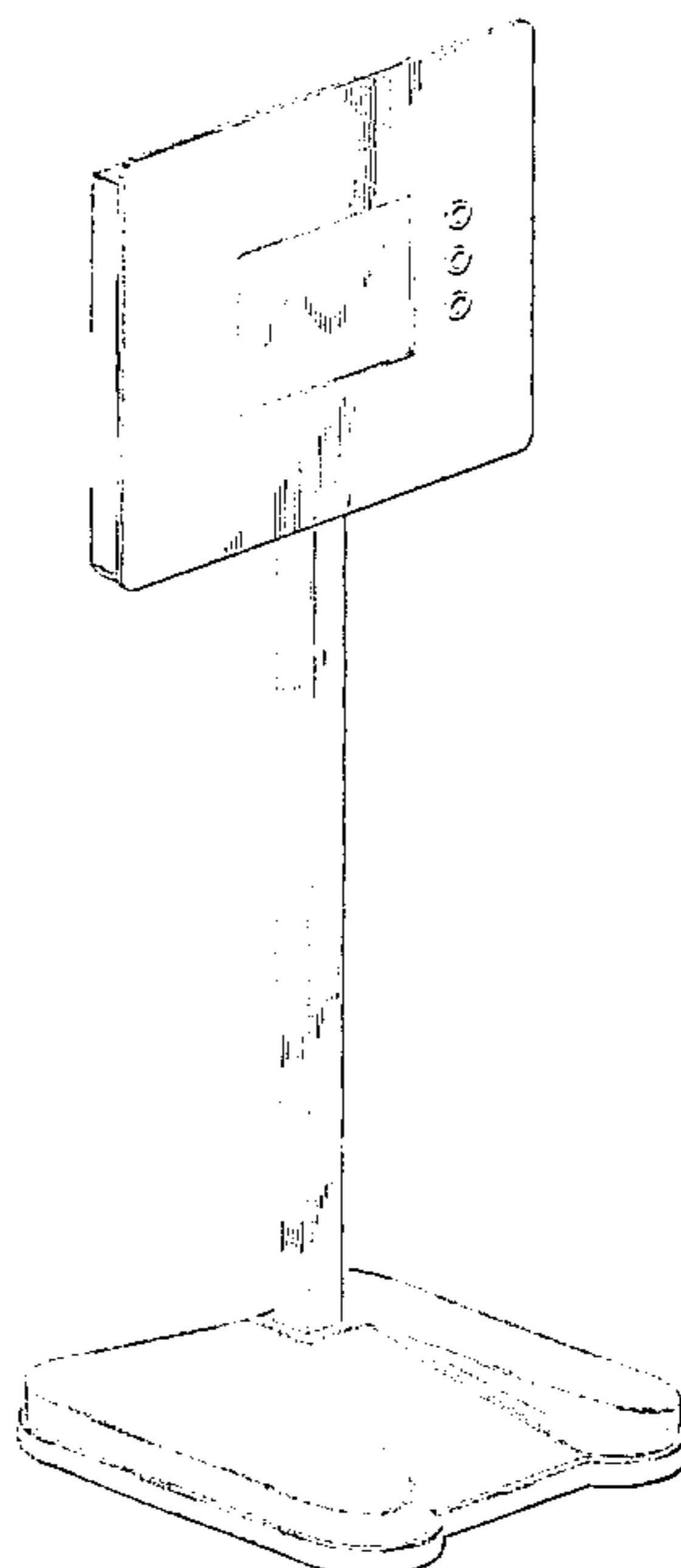
FIG. 4 is a right side elevation view of the entertainment system display stand of FIG. 1;

FIG. 5 is a rear elevational view of the entertainment system display stand of FIG. 1;

FIG. 6 is a top plan view of the entertainment system display stand of FIG. 1; and,

FIG. 7 is a bottom plan view of the entertainment system display stand of FIG. 1.

1 Claim, 4 Drawing Sheets



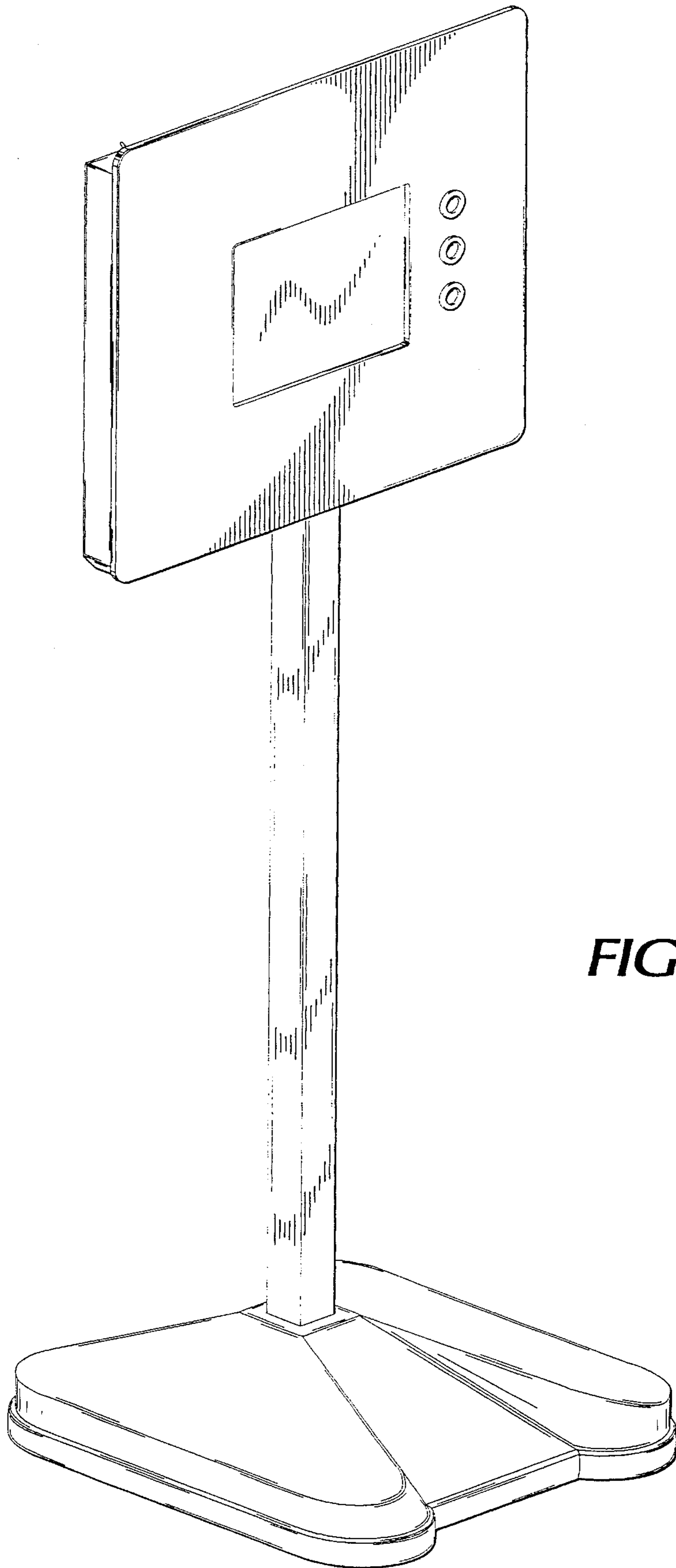


FIG. 1

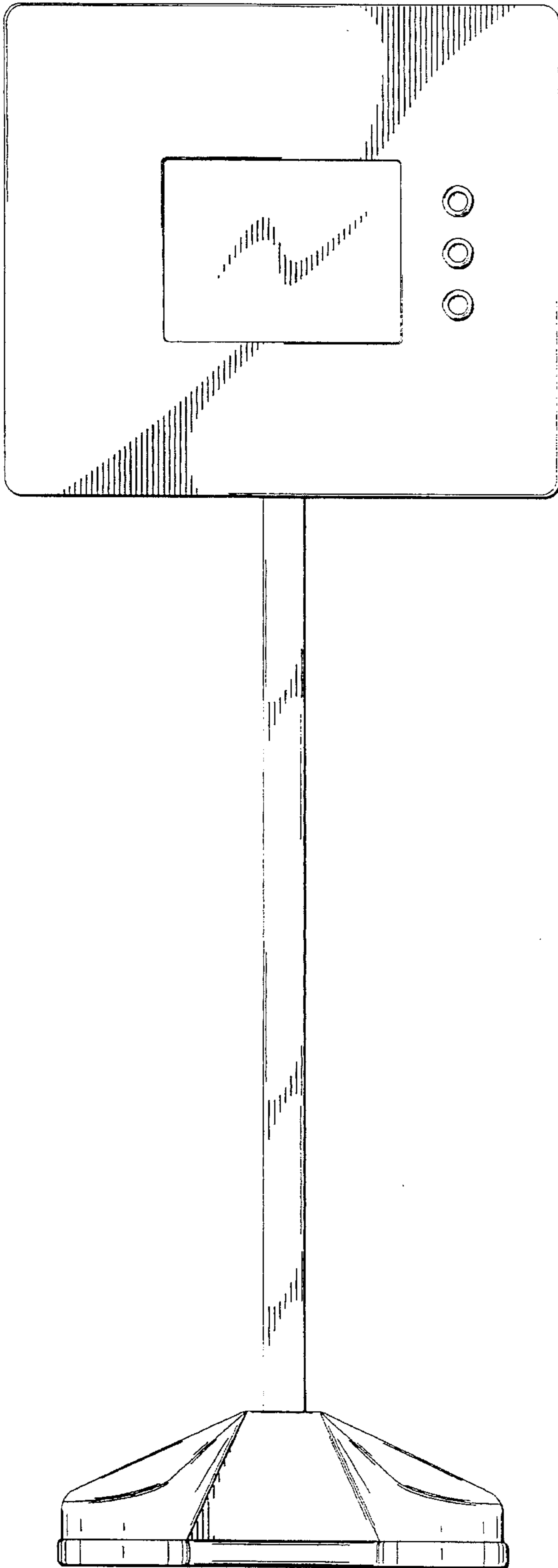


FIG. 2



FIG. 3

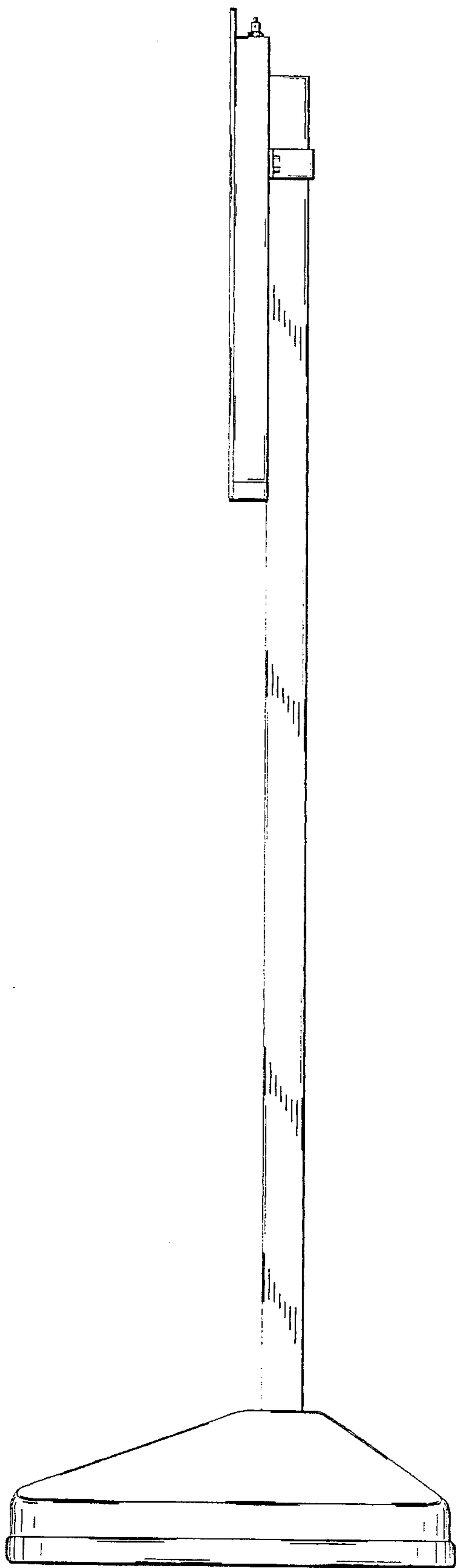


FIG. 4

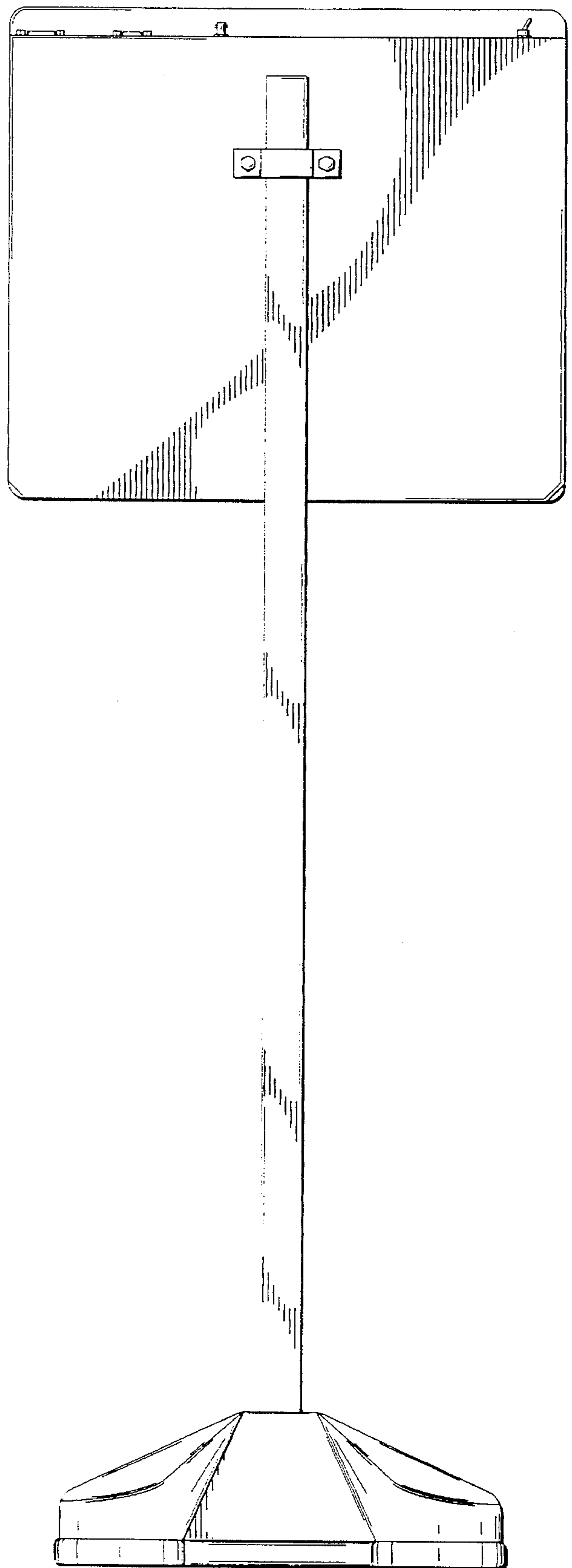


FIG. 5

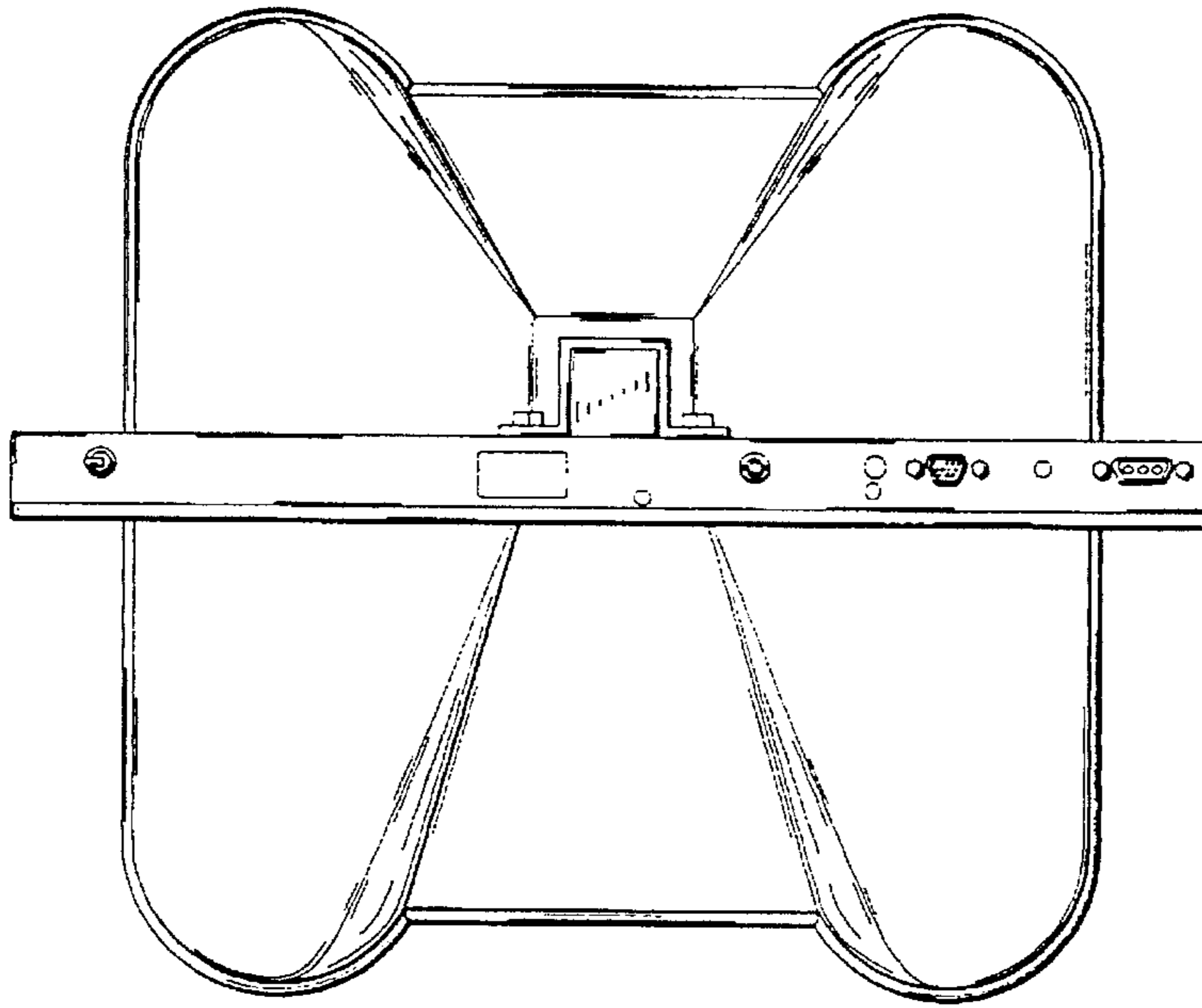


FIG. 6

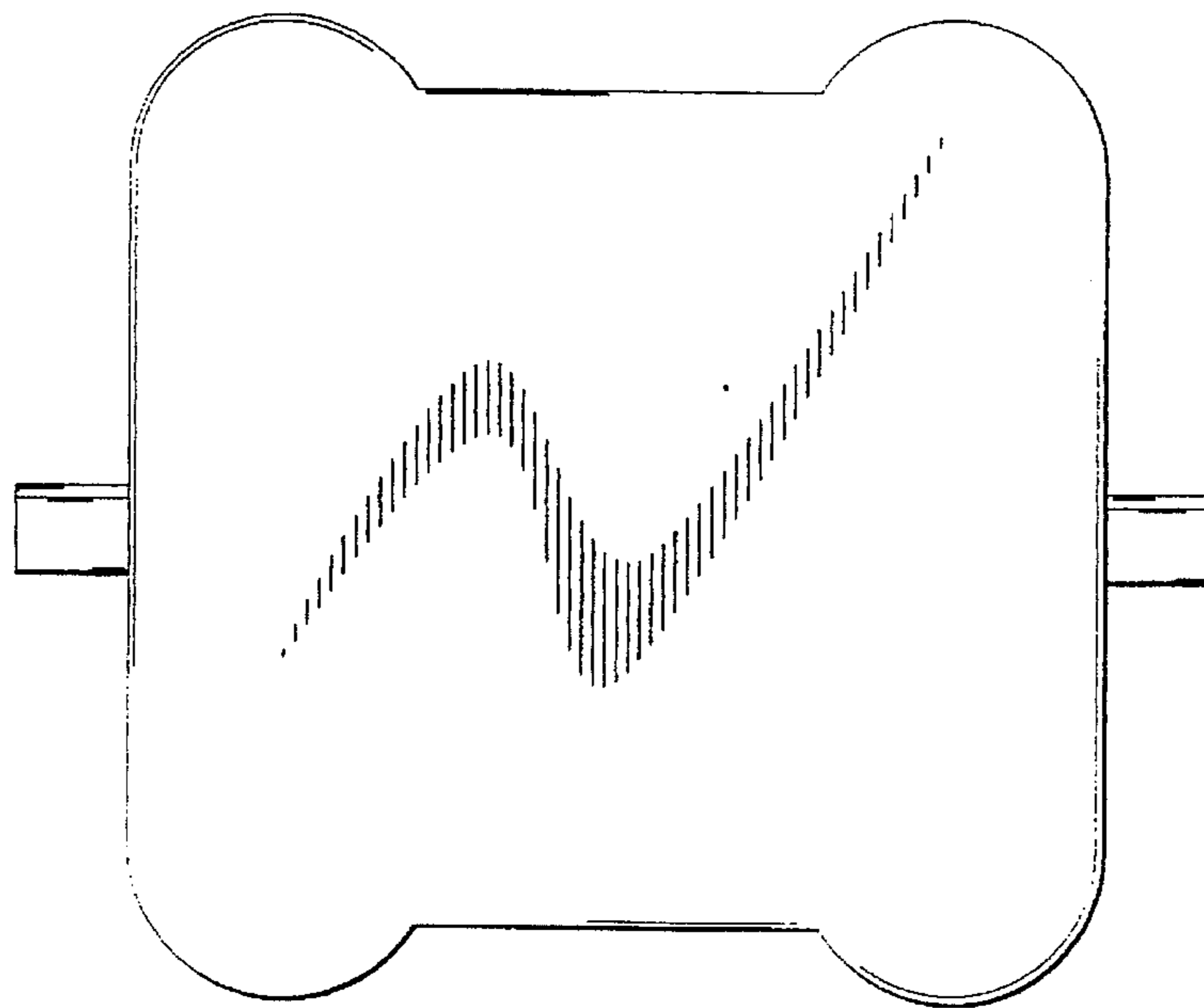


FIG. 7