



US00D373580S

United States Patent [19]

Nakada et al.

[11] Patent Number: Des. 373,580

[45] Date of Patent: **Sep. 10, 1996

[54] DISPLAY UNIT WITH AN ATTACHABLE CAMERA UNIT

[75] Inventors: Kazuo Nakada, Sagamihara; Kazuhiko Yamazaki, Hiratuka, both of Japan; Tristan A. Merino, Austin, Tex.; Richard F. Sapper, Milan, Italy

[73] Assignee: International Business Machines Corporation, Armonk, N.Y.

[**] Term: 14 Years

[21] Appl. No.: 35,841

[22] Filed: Mar. 7, 1995

[30] Foreign Application Priority Data

Sep. 7, 1994 [JP] Japan 6-27154

[52] U.S. Cl. D14/113; D14/100

[58] Field of Search D14/100, 101, D14/106, 107, 113, 115; D16/237; 364/708, 709.04, 709.12; 345/104, 133, 156, 168, 173, 87, 901-905

[56] References Cited

U.S. PATENT DOCUMENTS

D. 354,483	1/1995	Yamazaki	D14/100 X
D. 356,549	3/1995	Lucente et al.	D14/100
D. 359,727	6/1995	Wilson	D14/100
D. 362,662	9/1995	Baudot	D14/100
D. 363,471	10/1995	Shima et al.	D14/106

Primary Examiner—Freda Nunn
Attorney, Agent, or Firm—Paul S. Drake; Volel Emile

[57] CLAIM

The ornamental design for a display unit with an attachable camera unit, as shown and described.

DESCRIPTION

FIG. 1 is a top front and right side perspective view of a display unit with an attachable camera unit in the lying posture;

FIG. 2 is a top front and right side perspective view thereof in a standing posture with the camera unit detached and the cord and pen shown in broken lines for illustrative purposes only and forming no part of the claimed design.

FIG. 3 is a top plan view thereof in a lying posture with the camera unit attached;

FIG. 4 is a front elevational view thereof in a lying posture with the camera unit attached;

FIG. 5 is a rear elevational view thereof in a lying posture with the camera unit attached;

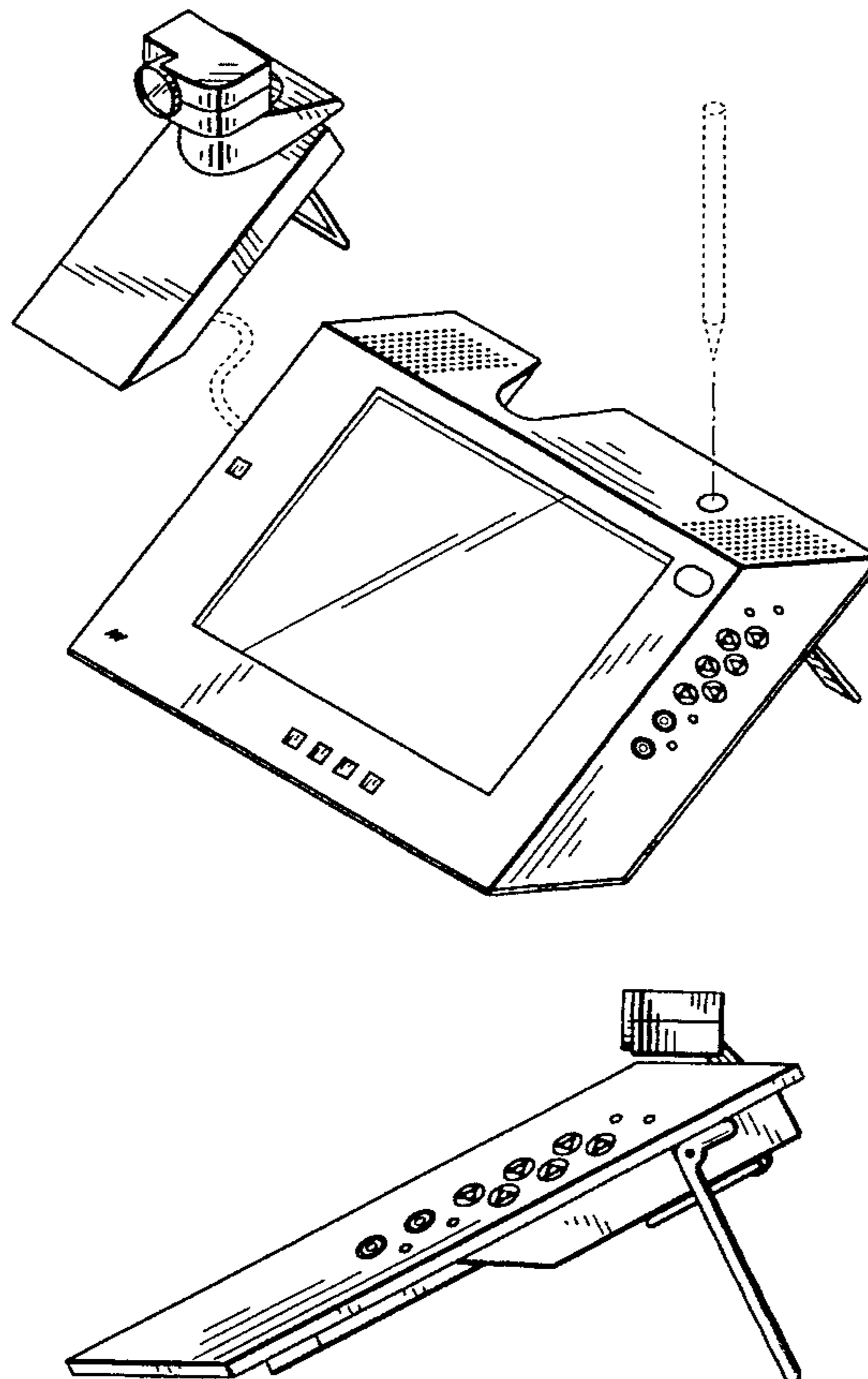
FIG. 6 is a bottom plan view thereof in a lying posture with the camera unit attached;

FIG. 7 is a right side elevational view thereof in a lying posture with the camera unit attached;

FIG. 8 is a left side elevational view thereof in a lying posture with the camera unit attached; and,

FIG. 9 is a right side elevational view thereof in a standing posture with the camera unit attached.

1 Claim, 5 Drawing Sheets



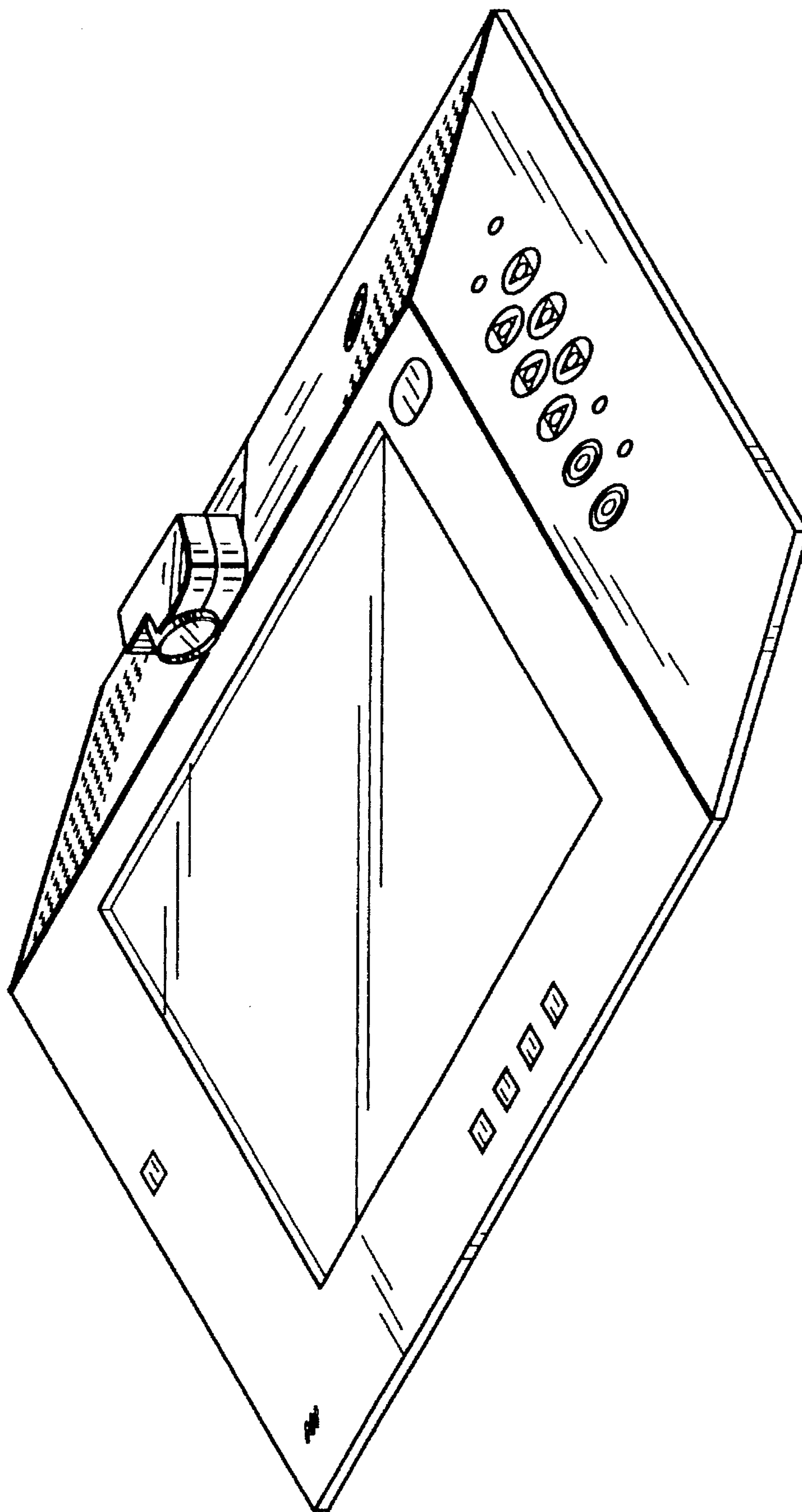


FIG. 1

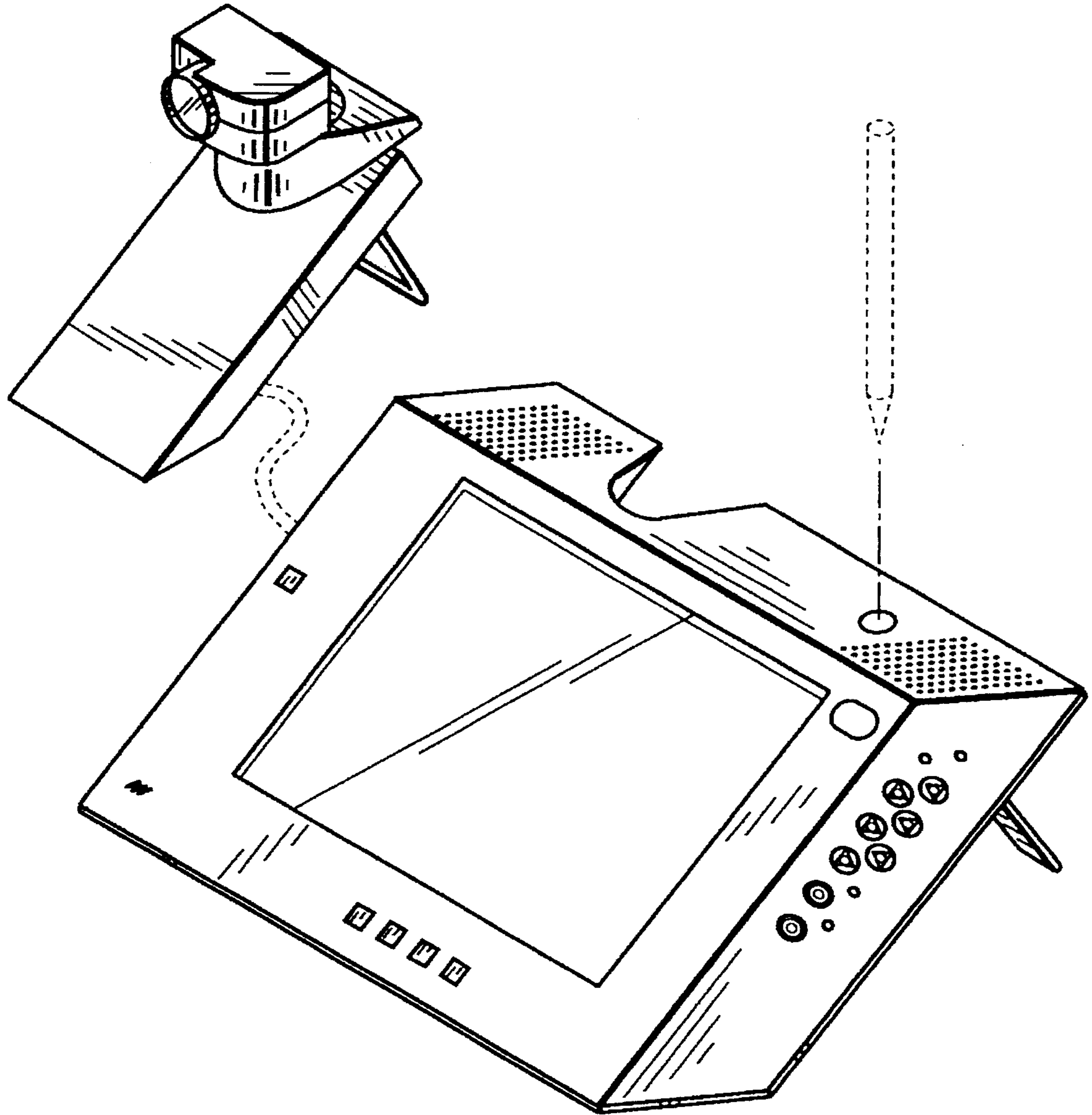


FIG. 2

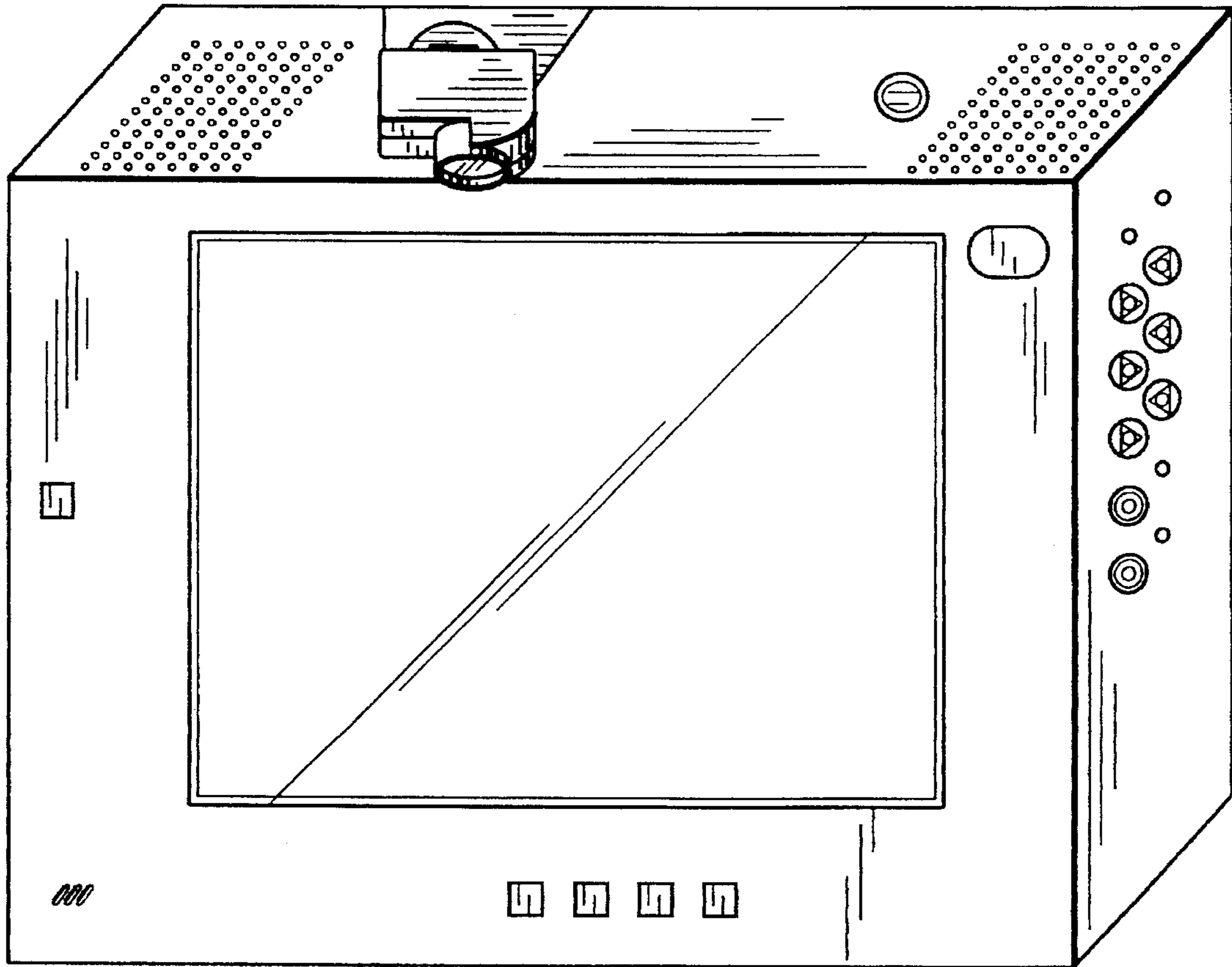


FIG. 3

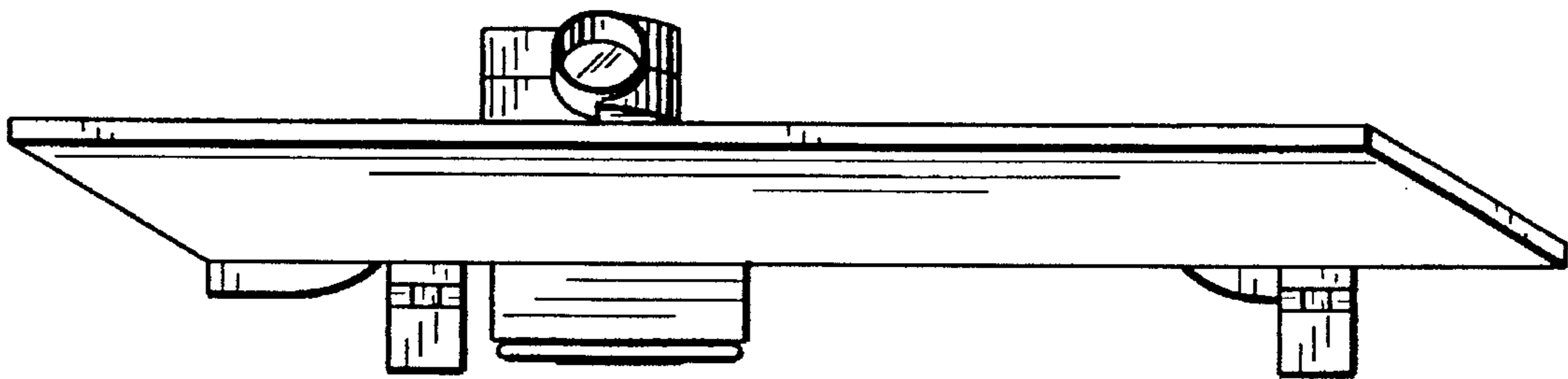


FIG. 4

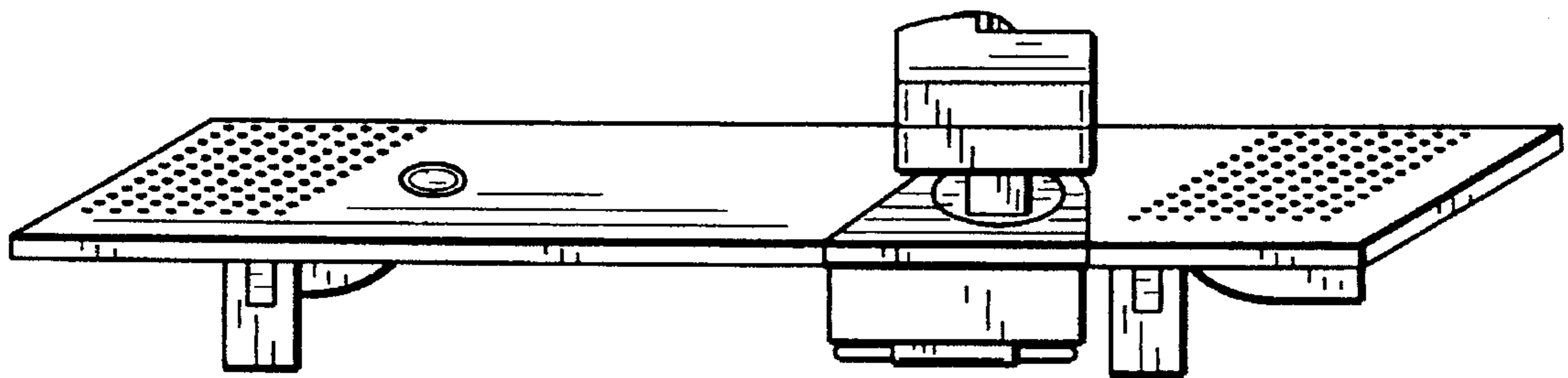


FIG. 5

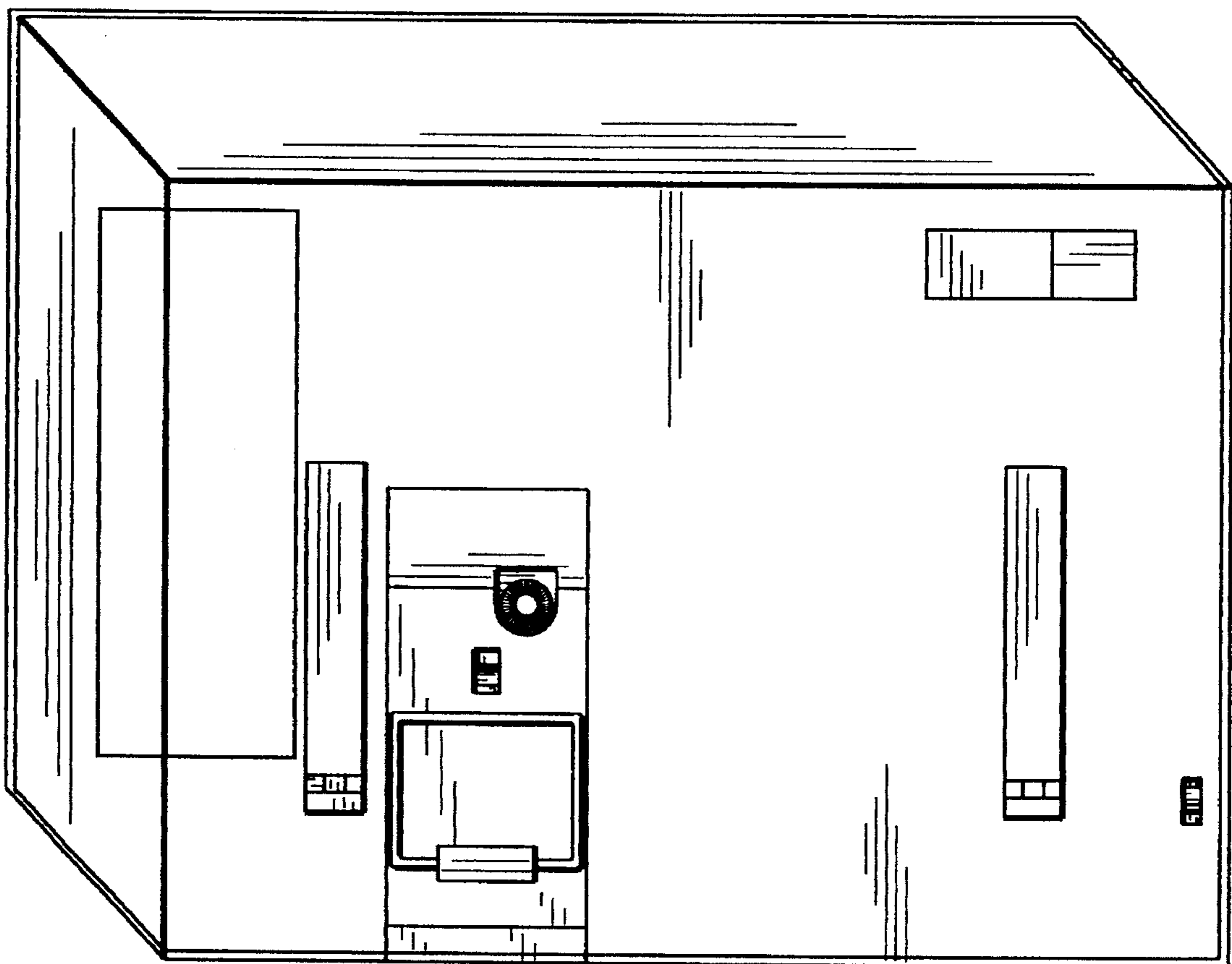


FIG. 6

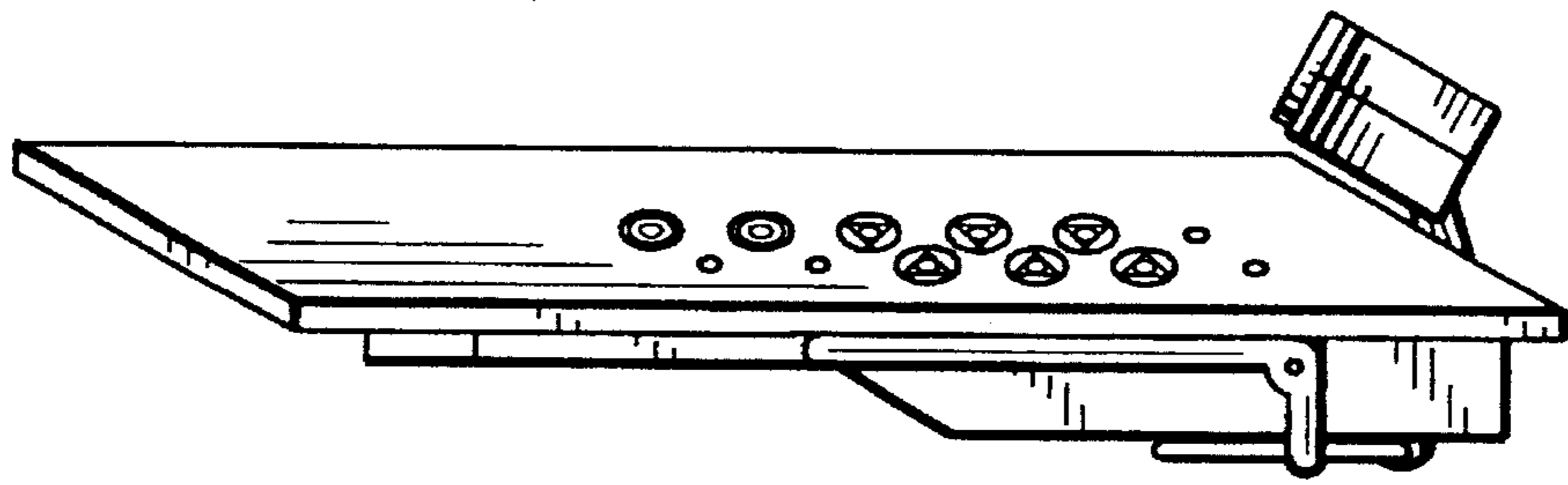


FIG. 7

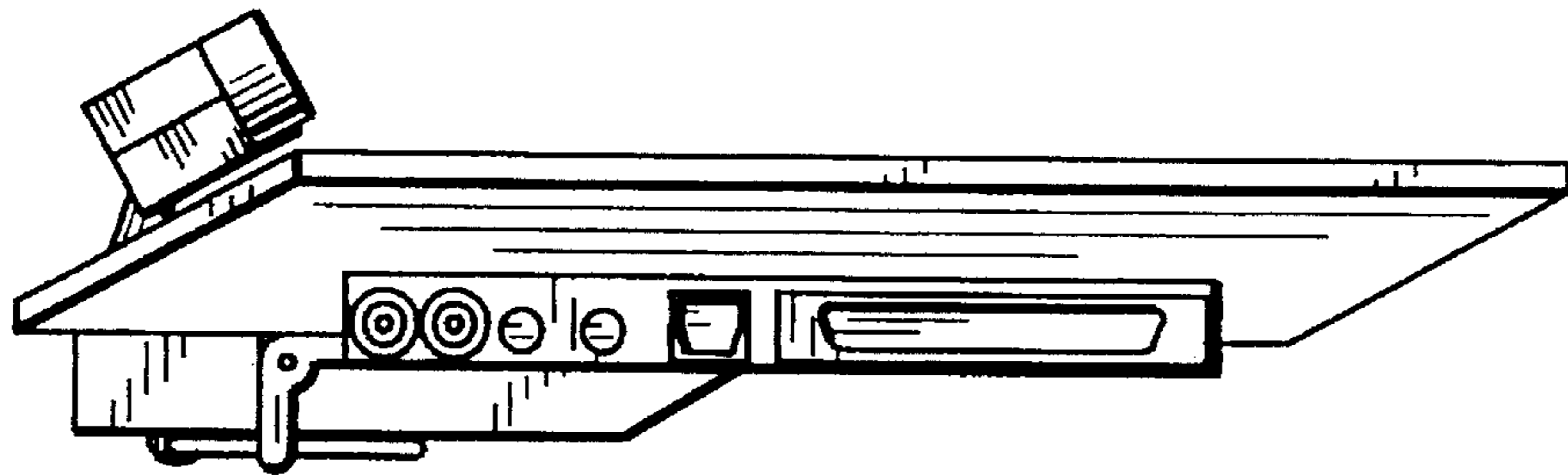


FIG. 8

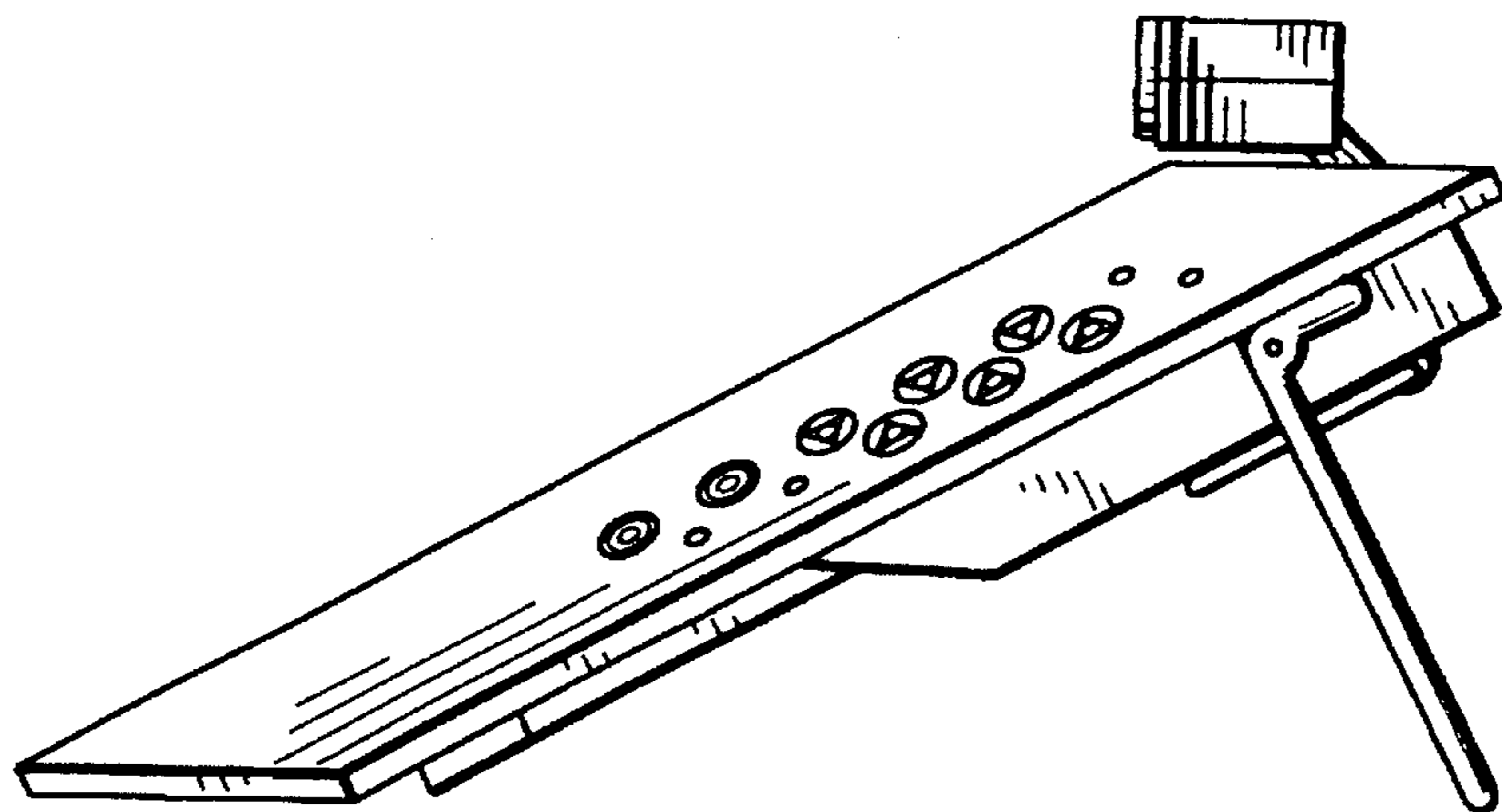


FIG. 9