



US00D373579S

United States Patent [19]

Searby et al.

[11] Patent Number: **Des. 373,579**

[45] Date of Patent: ****Sep. 10, 1996**

[54] **FLAT PANEL DISPLAY**

[75] Inventors: **Tom J. Searby**, Fort Collins, Colo.;
Henry Y. Chin; **Jan Hippen**, both of
Portland, Oreg.

[73] Assignee: **Hewlett-Packard Co.**, Palo Alto, Calif.

[**] Term: **14 Years**

[21] Appl. No.: **29,177**

[22] Filed: **Sep. 29, 1994**

[52] U.S. Cl. **D14/113; D14/126**

[58] Field of Search **D14/100, 101,**
D14/106, 113, 124-129; 345/104, 133,
156, 168, 173, 87, 901-905; 358/249, 254,
255; 248/917-924

[56] **References Cited**

U.S. PATENT DOCUMENTS

- D. 344,933 3/1994 Wiseman et al. D14/113
- D. 355,176 2/1995 Maeno et al. D14/113
- D. 356,077 3/1995 Harada et al. D14/126

OTHER PUBLICATIONS

"Hewlett-Packard Flat-Panel Display Monitor," Machine Design, Jul. 11, 1994 p. 57.
Dori Jones Yang, "Creating A 'Desk Sculpture' Hewlett-Packard Flat-Panel Display," Business Week, Jun. 6, 1994, p. 90.

Primary Examiner—Freda Nunn
Attorney, Agent, or Firm—Cynthia S. Baan

[57] **CLAIM**

The ornamental design for a flat panel display, as shown and described.

DESCRIPTION

FIG. 1 is a top, front, right side perspective view of a flat panel display showing our new design;

FIG. 2 is a top, back, right side perspective view of our new design illustrated in FIG. 1;

FIG. 3 is a front elevational view of our new design illustrated in FIG. 1;

FIG. 4 is a rear elevational view of our new design illustrated in FIG. 1;

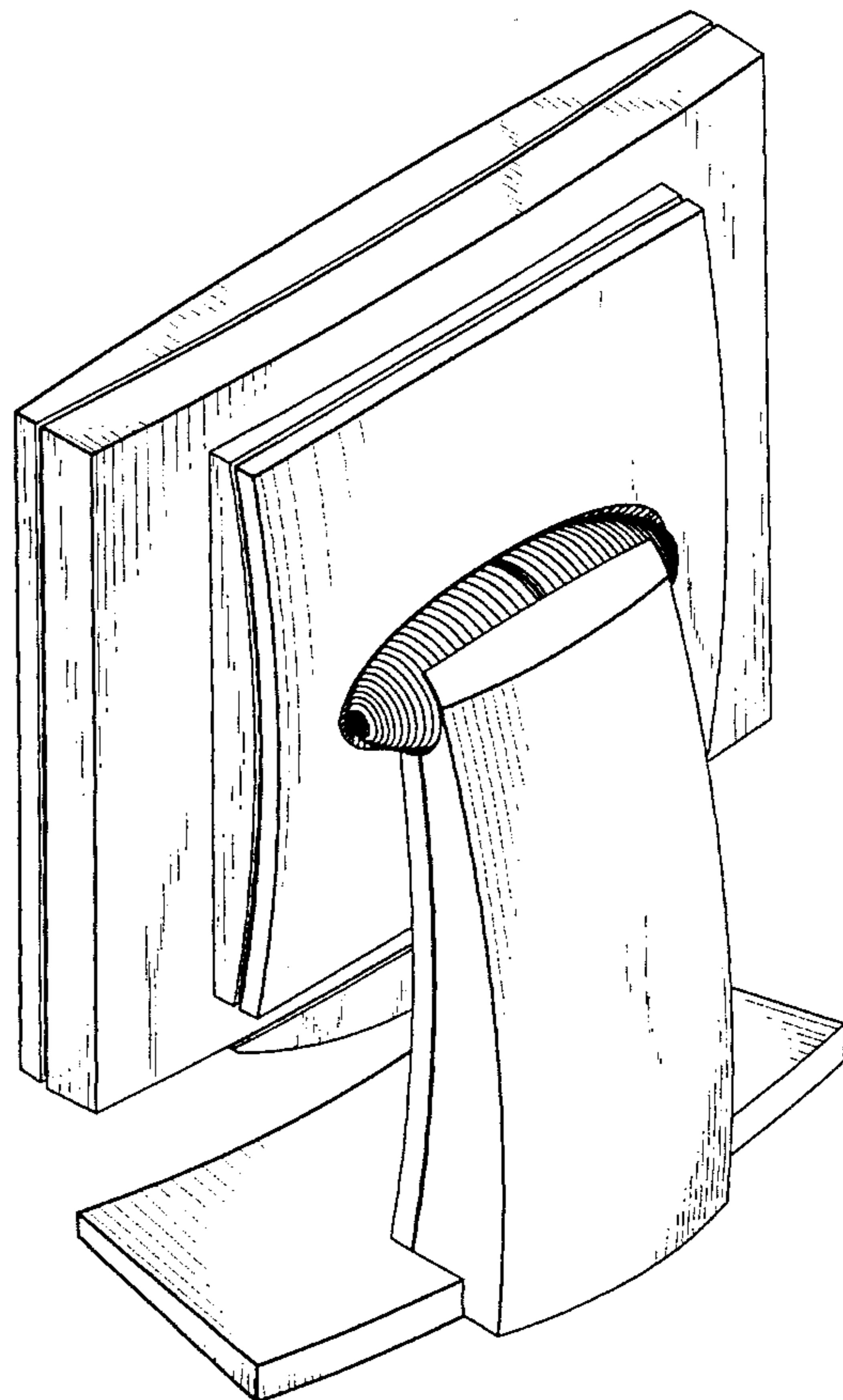
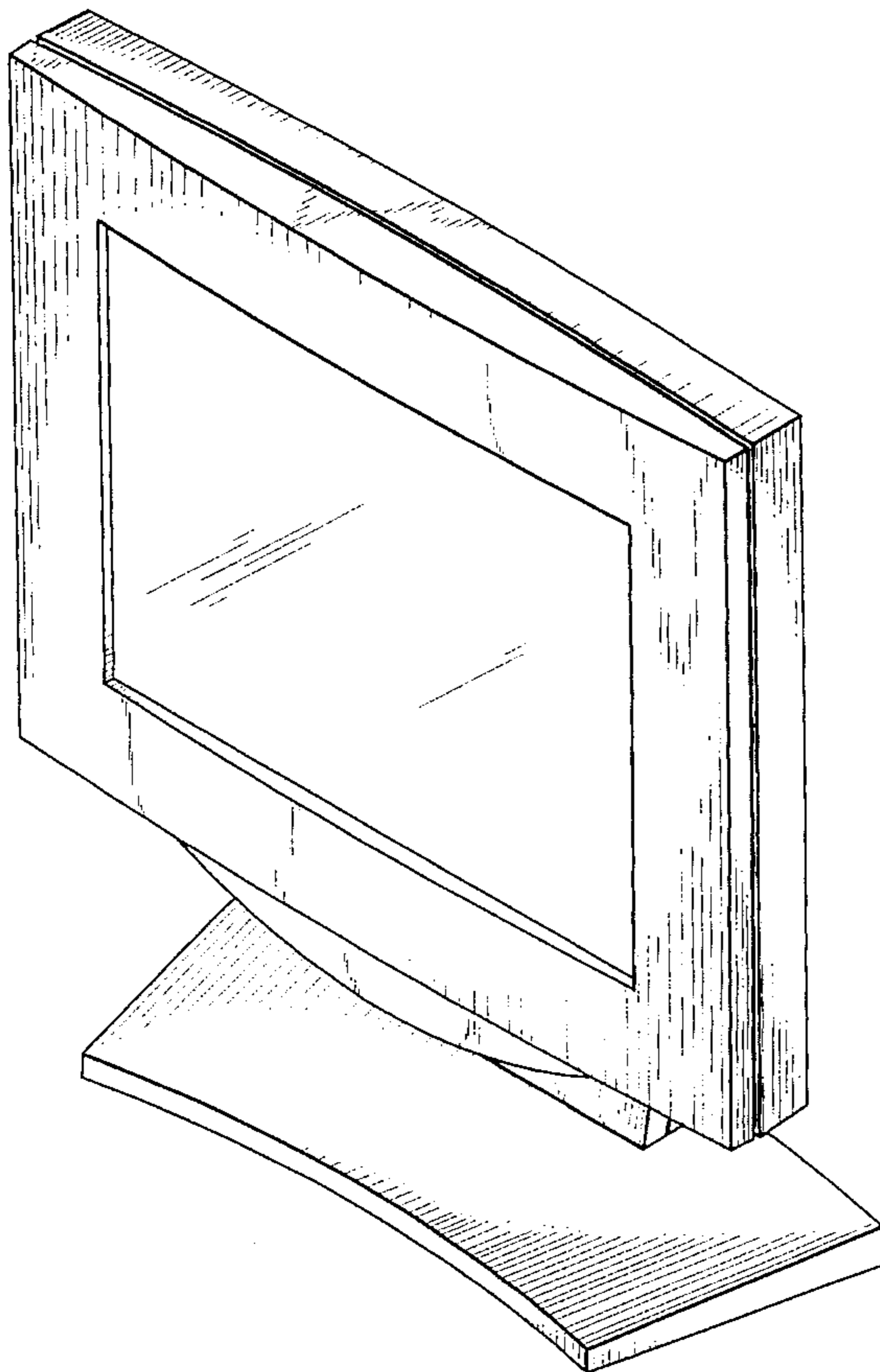
FIG. 5 is a right side elevational view of our new design illustrated in FIG. 1;

FIG. 6 is a left side elevational view of our new design illustrated in FIG. 1;

FIG. 7 is a top plan view of our new design illustrated in FIG. 1; and,

FIG. 8 is a bottom plane view of our new design illustrated in FIG. 1.

1 Claim, 8 Drawing Sheets



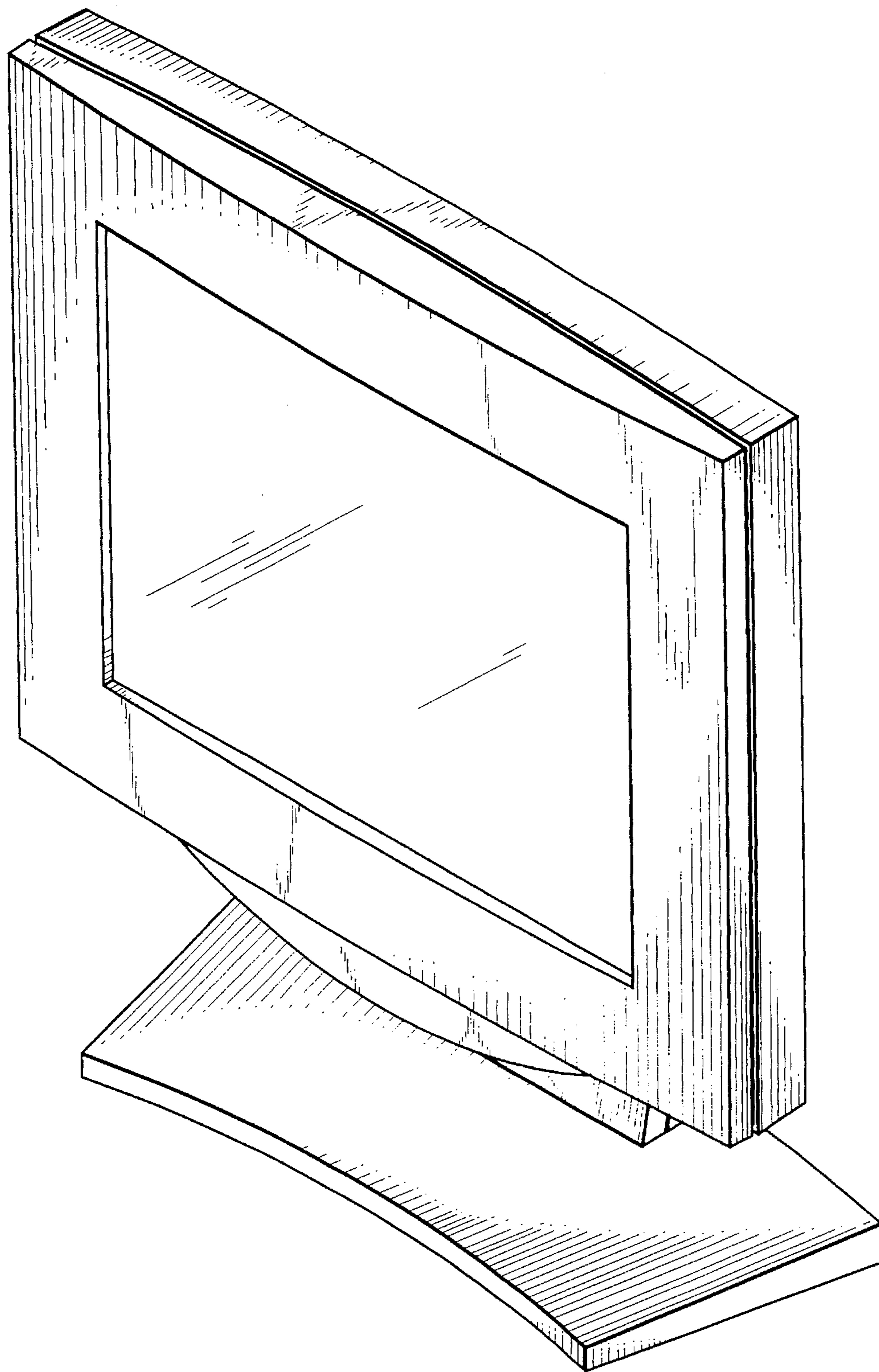


FIG 1

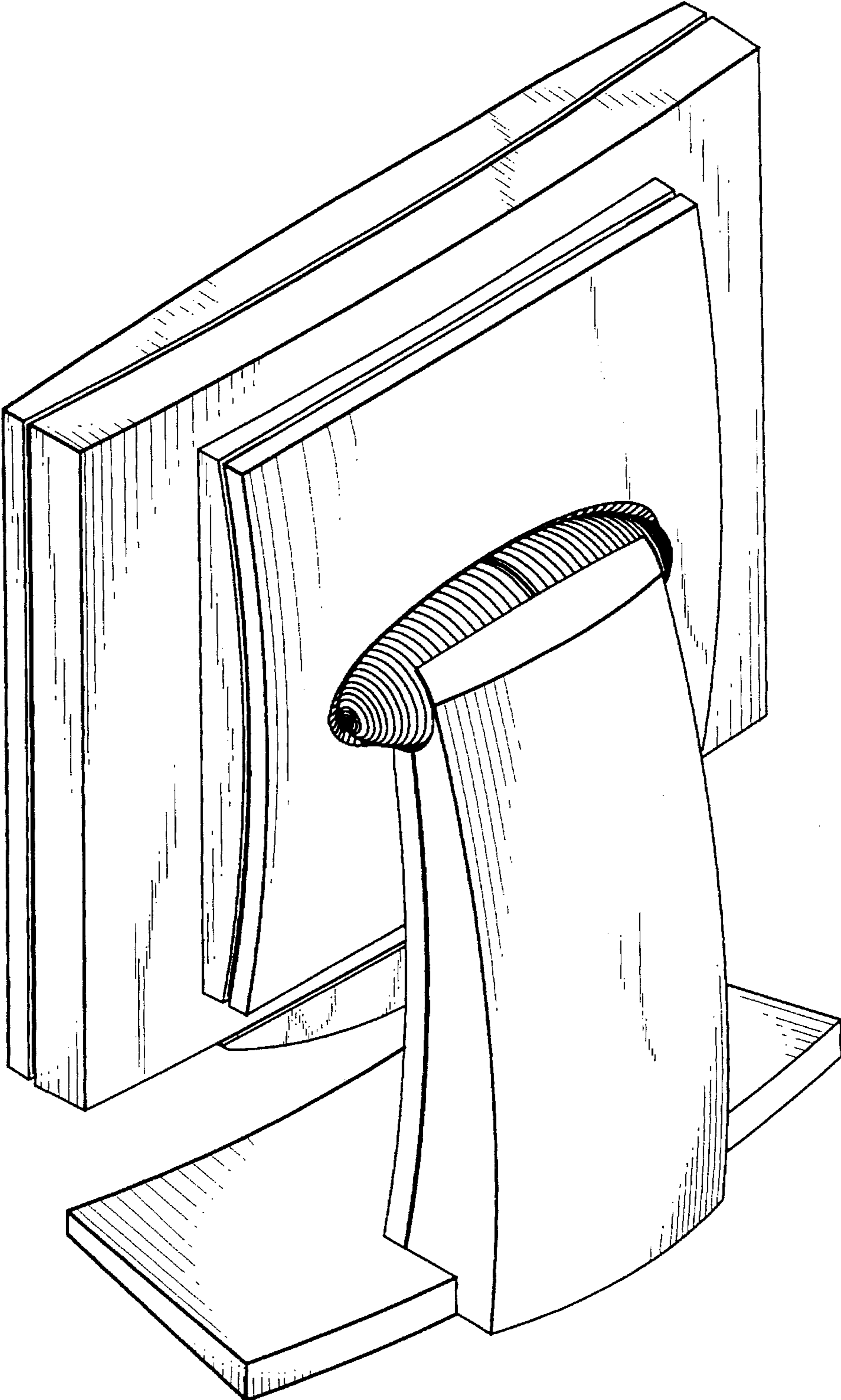


FIG 2

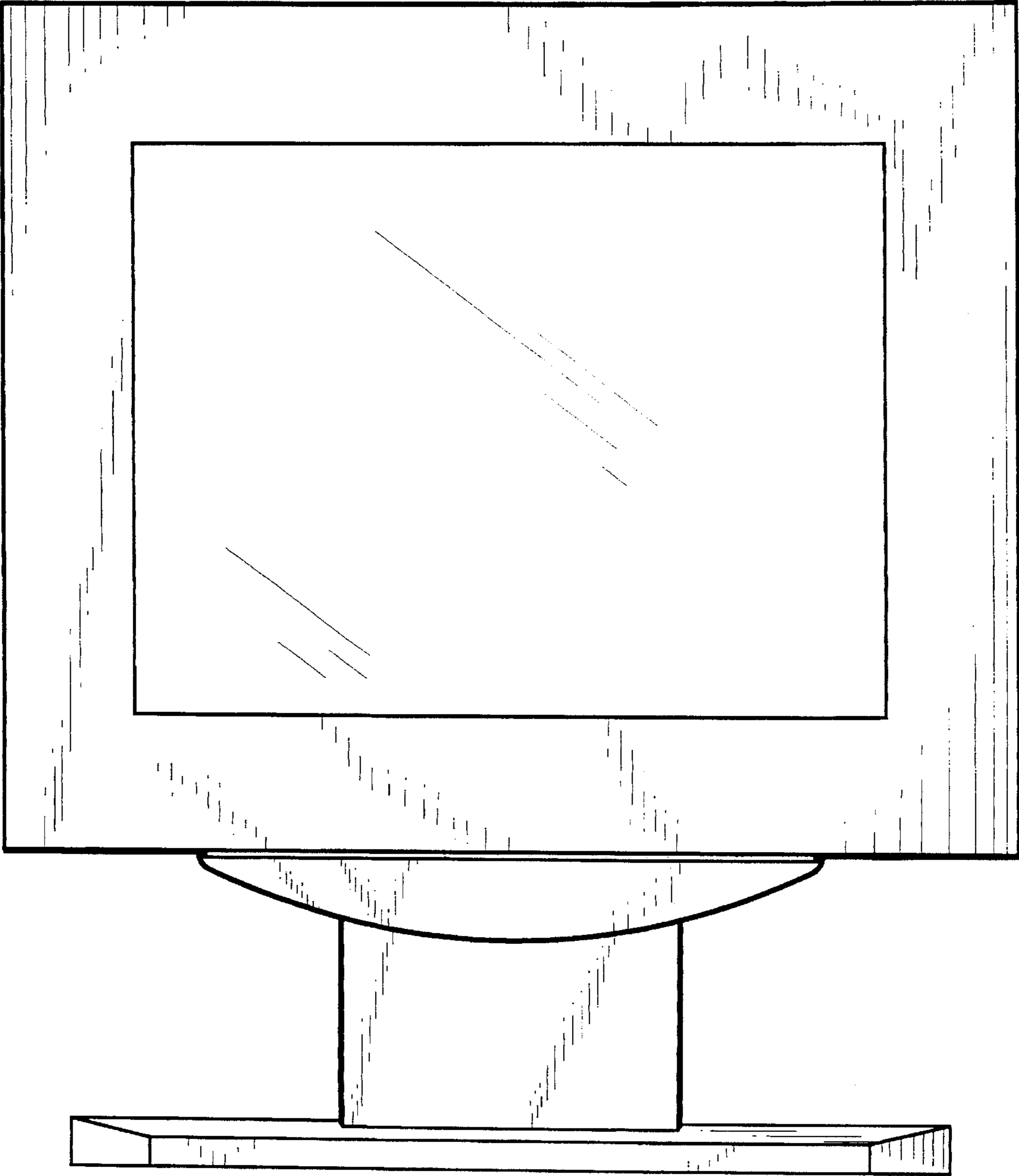


FIG 3

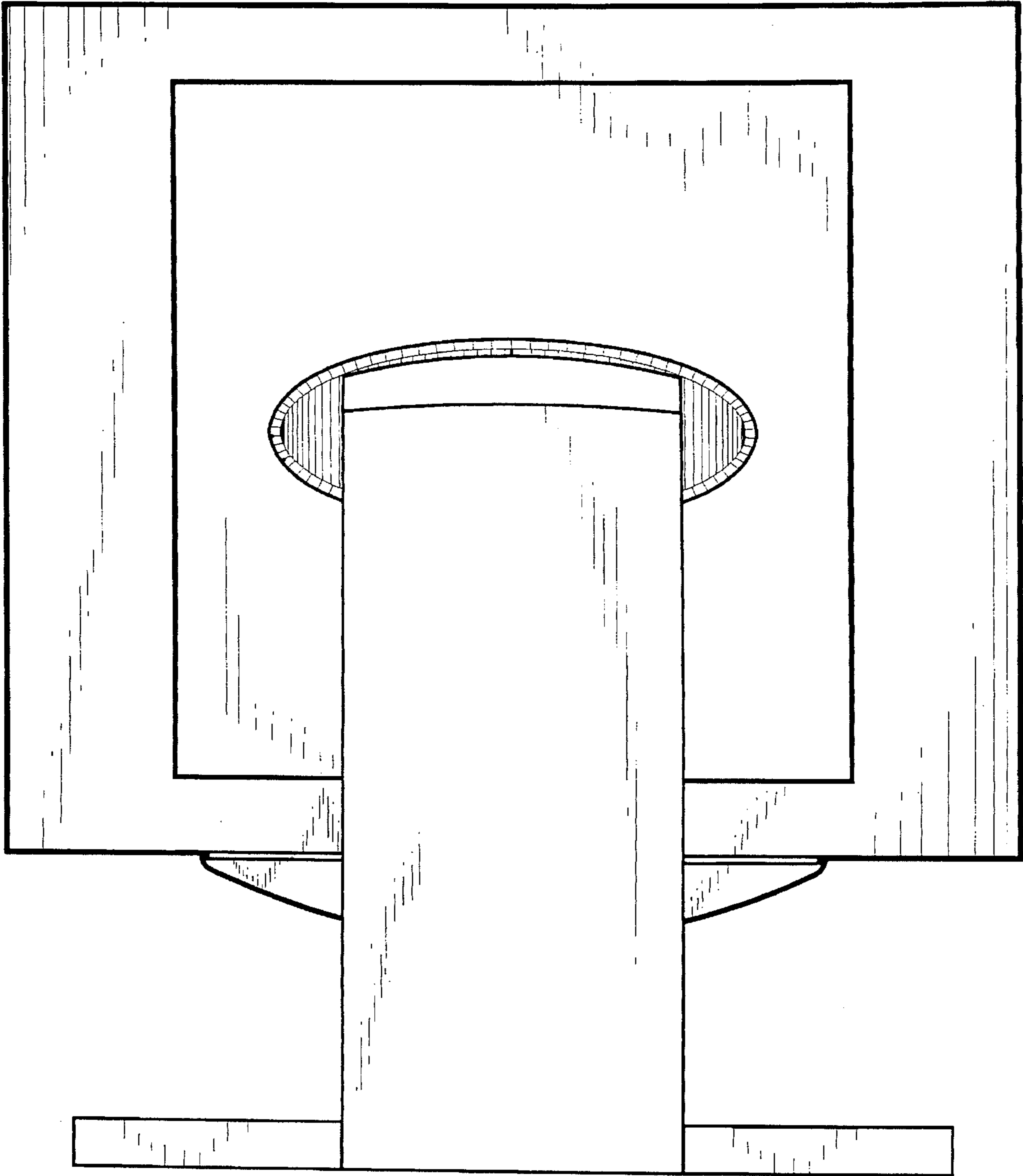


FIG 4

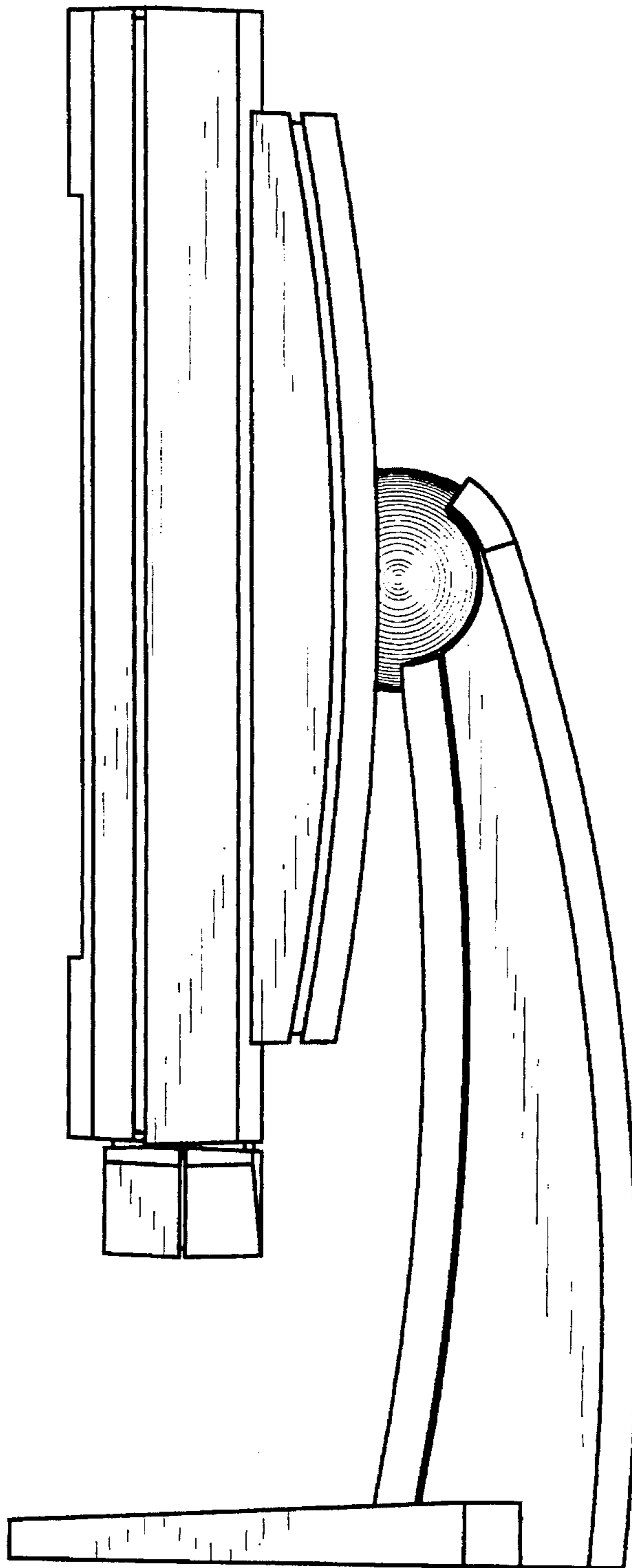


FIG 5

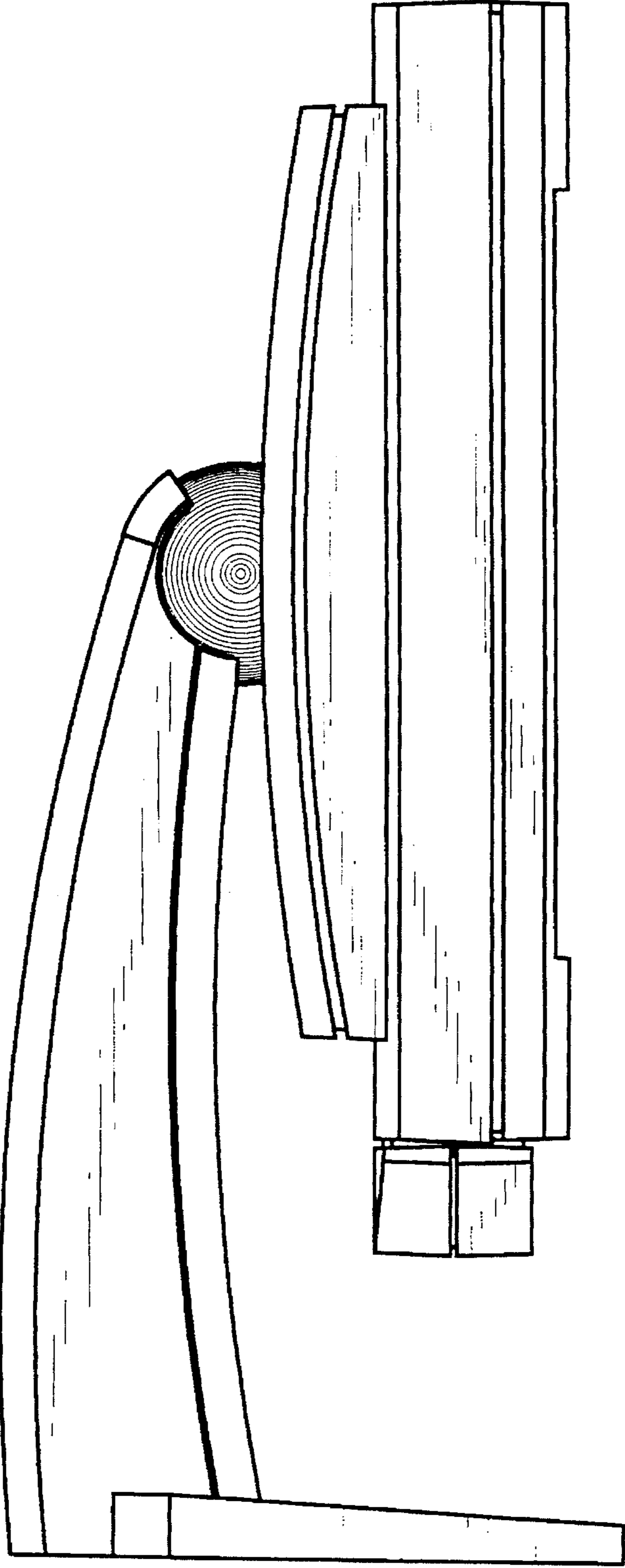


FIG 6

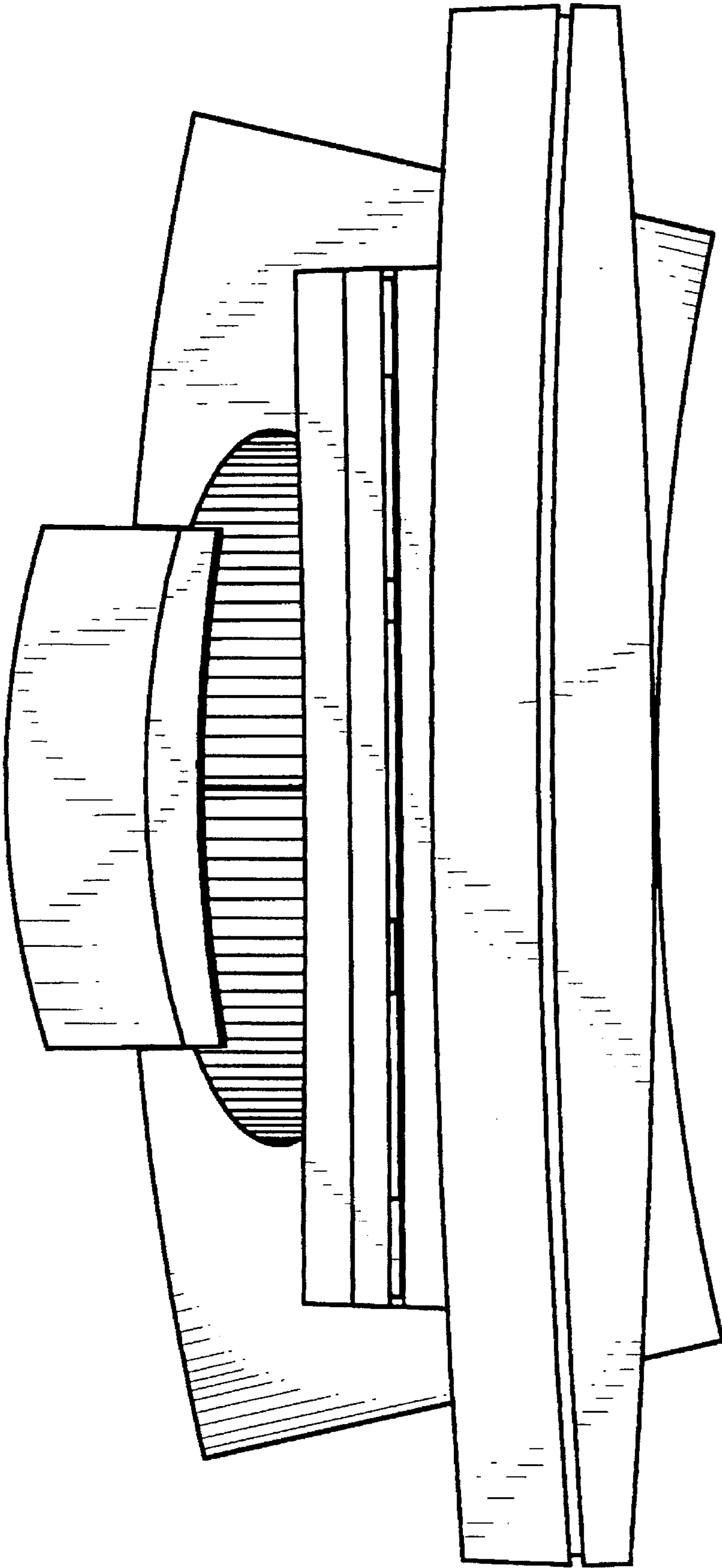


FIG 7

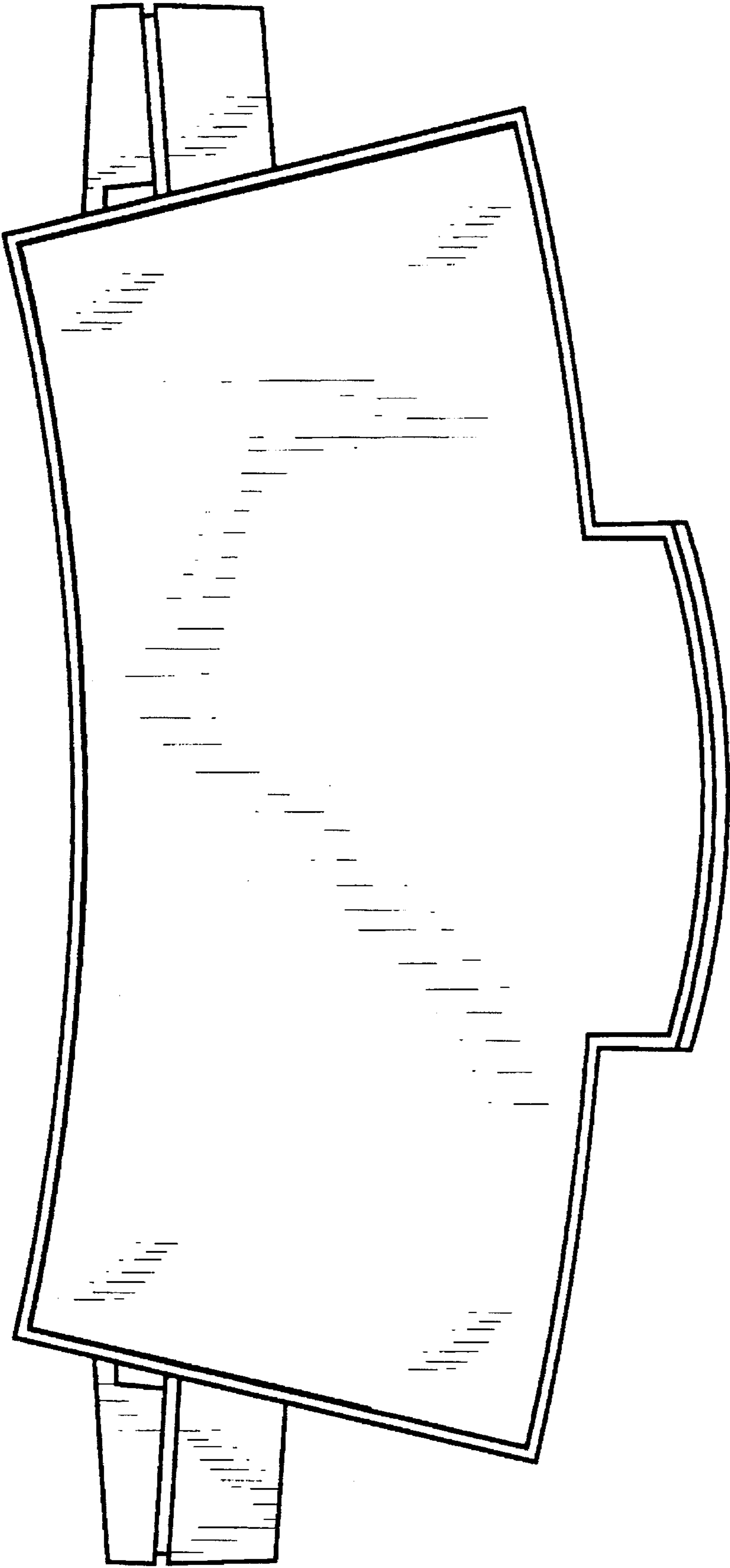


FIG 8