



US00D373577S

United States Patent [19]

[11] Patent Number: Des. 373,577

Tong

[45] Date of Patent: **Sep. 10, 1996

[54] **WRIST REST FOR KEYBOARDS AND MOUSE PADS**

Primary Examiner—M. H. Tung
Attorney, Agent, or Firm—Bryan Cave LLP

[75] Inventor: **Eric L. Tong**, Los Angeles, Calif.

[57] **CLAIM**

[73] Assignee: **Belkin Components**, Compton, Calif.

The ornamental design for a wrist rest for keyboards and mouse pads, as shown and described.

[**] Term: **14 Years**

DESCRIPTION

[21] Appl. No.: **43,220**

FIG. 1 is a top perspective view of a wrist rest for keyboards and mouse pads, showing the new design;

[22] Filed: **Aug. 29, 1995**

FIG. 2 is a bottom perspective view thereof;

[52] U.S. Cl. **D14/114**

FIG. 3 is a front elevational view thereof on an enlarged scale;

[58] Field of Search D14/100, 114;
D18/12; 248/118, 118.1, 118.3, 118.5, 346.01,
489, 917-24; 400/689-93, 715; D6/601;
5/448, 623

FIG. 4 is a left elevational view thereof, on an enlarged scale;

FIG. 5 is a right elevational view thereof, on an enlarged scale;

[56] References Cited

U.S. PATENT DOCUMENTS

FIG. 6 is a rear elevational view thereof on an enlarged scale;

FIG. 7 is a bottom plan view thereof on an enlarged scale;

- 159,254 2/1875 French .
- D. 288,097 2/1987 Harter et al. .
- D. 328,892 8/1992 Miller .
- D. 330,018 10/1992 Miller .
- D. 336,898 6/1993 Cherubini et al. .
- D. 337,463 7/1993 Grimm .
- D. 342,242 12/1993 Hassel et al. .
- D. 347,216 5/1994 Ciccone .
- D. 352,933 11/1994 Vaule .
- D. 352,934 11/1994 Juster D14/114
- 354,712 12/1886 Lash .
- D. 357,009 4/1995 Rossman et al. D14/114
- D. 357,910 5/1995 Newhouse D14/114
- D. 361,992 9/1995 Evenson et al. D14/114
- 4,482,063 11/1984 Berke et al. .
- 4,482,064 11/1984 Berke et al. .
- 4,545,554 10/1985 Latino et al. .
- 4,913,390 4/1990 Berke .
- 4,973,176 11/1990 Dietrich .
- 5,108,057 4/1992 Dandy, III et al. 248/118
- 5,131,614 7/1992 Garcia et al. .
- 5,228,655 7/1993 Garcia et al. .
- 5,288,042 2/1994 Grimm 248/118

FIG. 8 is a top perspective view of a second embodiment thereof;

FIG. 9 is a bottom perspective view thereof;

FIG. 10 is a front elevational view thereof on an enlarged scale;

FIG. 11 is a left elevational view thereof on an enlarged scale;

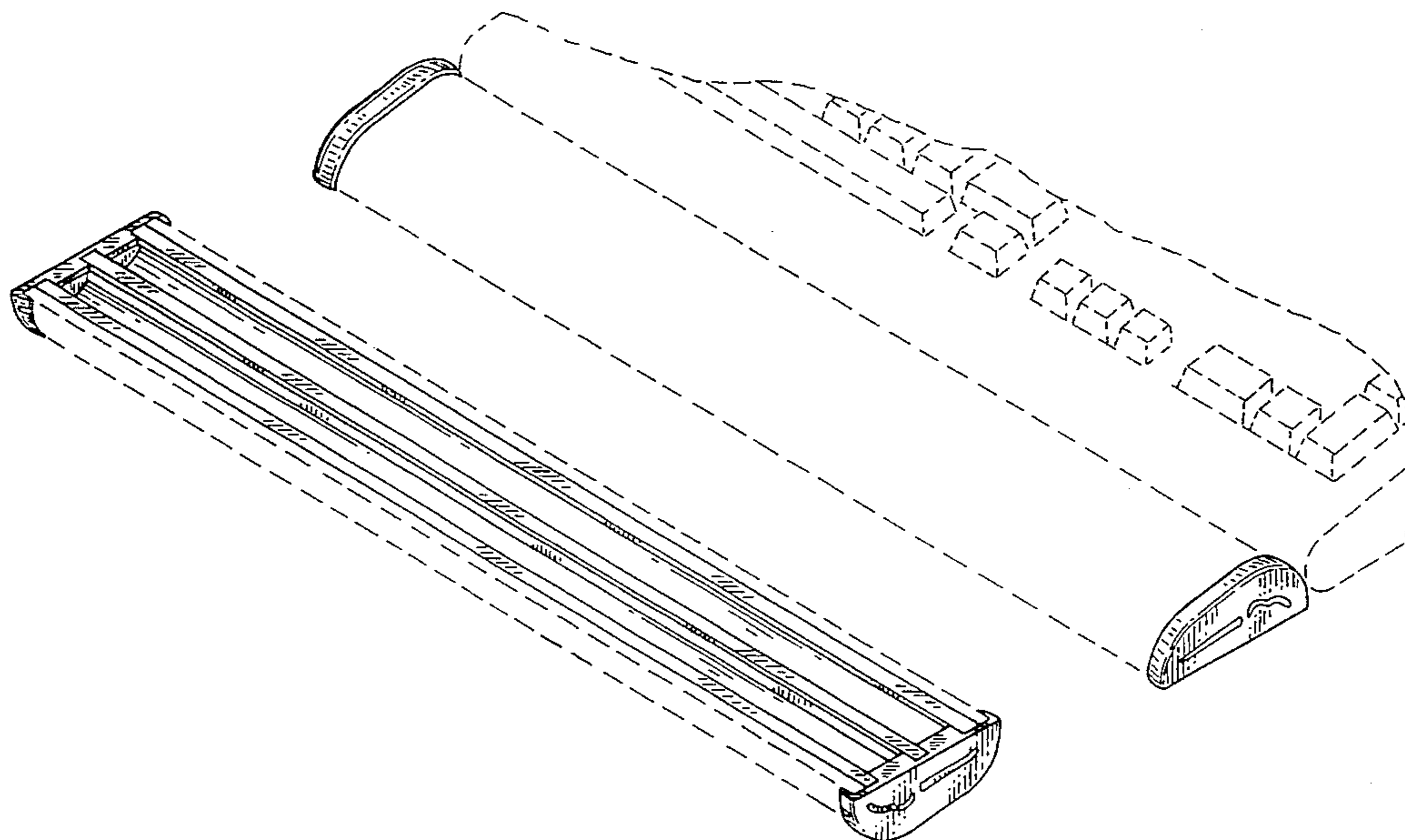
FIG. 12 is a right elevational view thereof on an enlarged scale;

FIG. 13 is a rear elevational view thereof on an enlarged scale; and,

FIG. 14 is a bottom plan view thereof on an enlarged scale.

The broken line drawings of a keyboard and pad portion of the wrist rest in FIG. 1; the pad portion of the wrist rest in FIGS. 2, 3, 6, 7, 9, 10, 13, and 14; the mouse pad and pad portion of the wrist rest in FIG. 8, and the mouse pad in FIG. 12 are for illustrative purposes only and form no part of the claimed design.

1 Claim, 6 Drawing Sheets



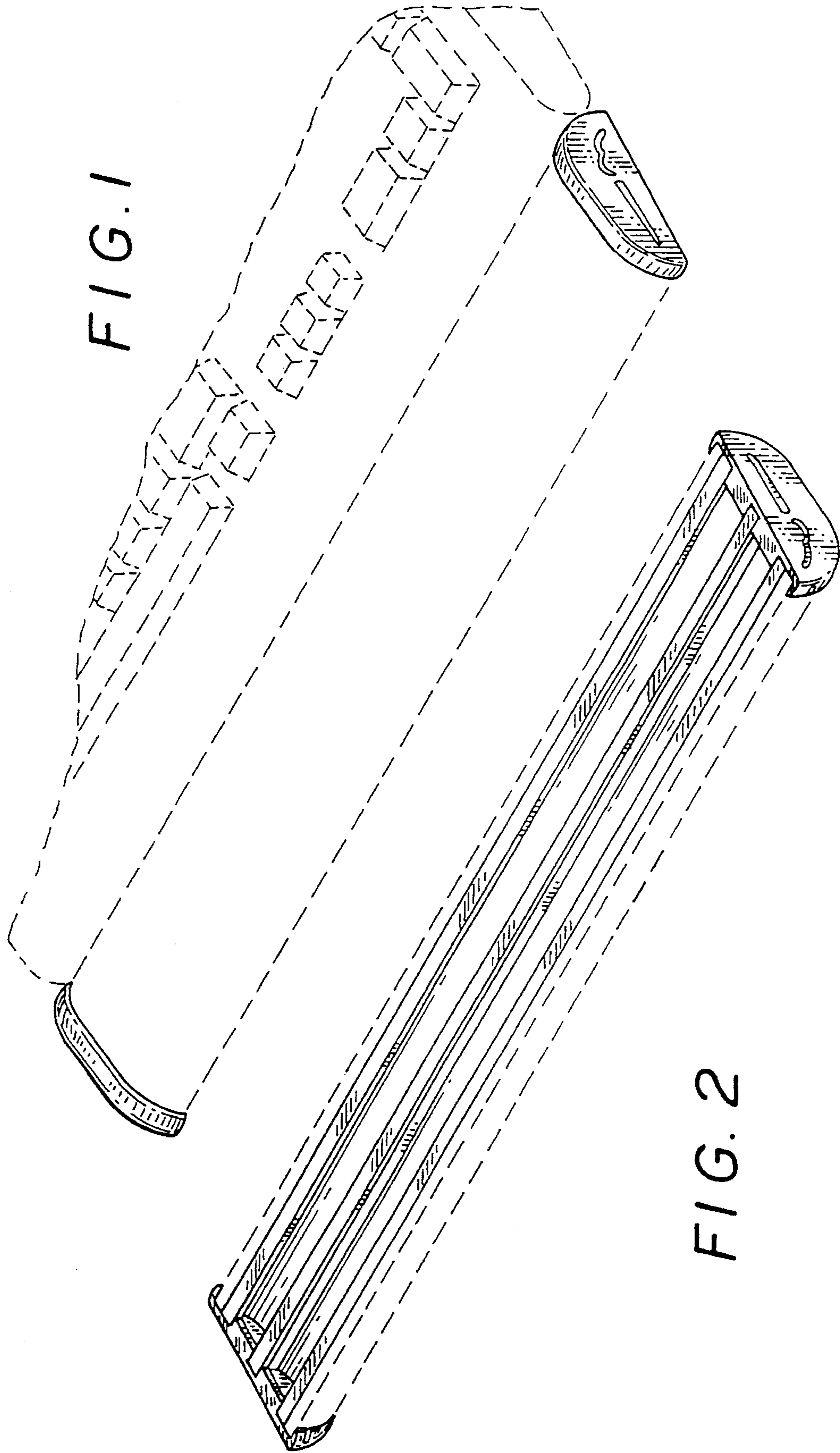


FIG. 1

FIG. 2



FIG. 3

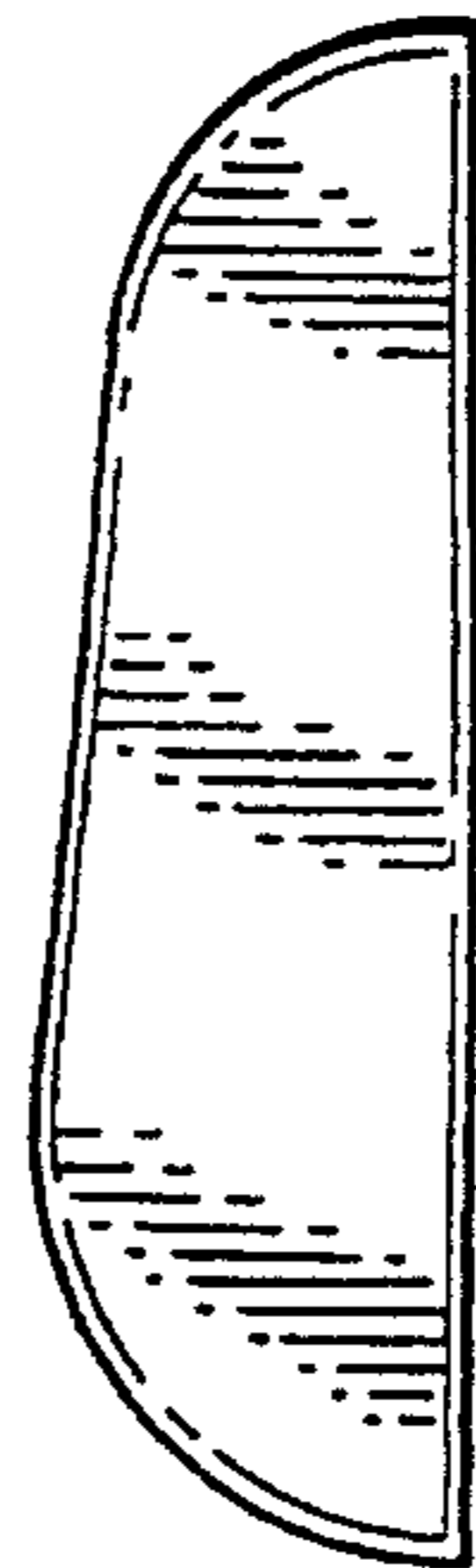
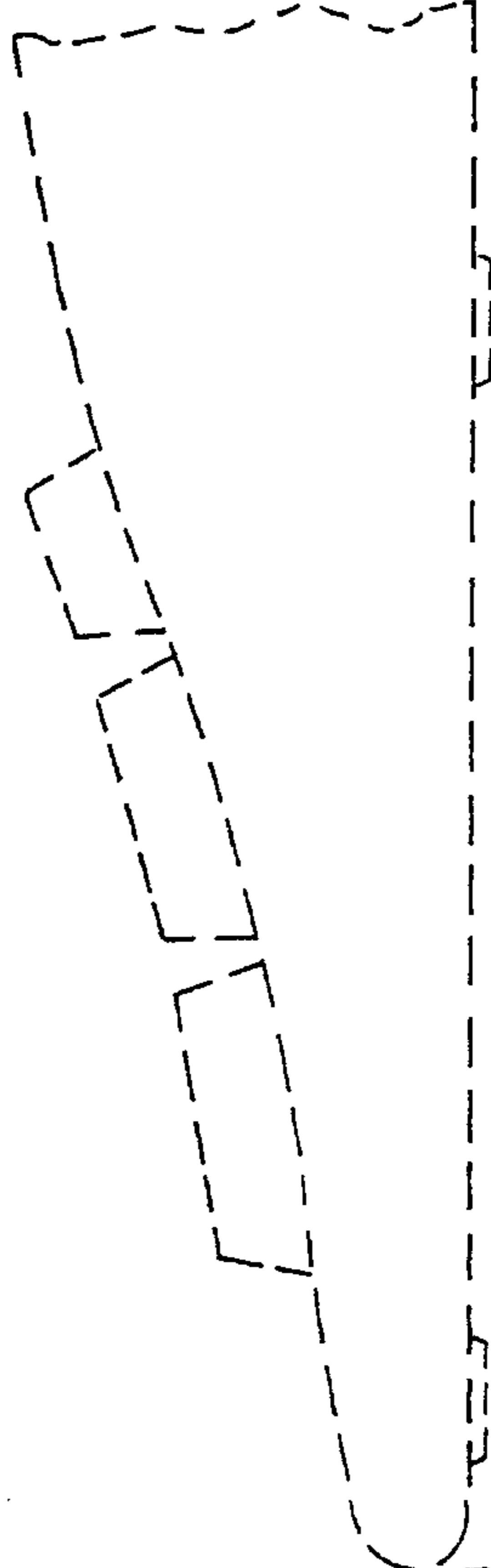


FIG. 4

FIG. 5



FIG. 6

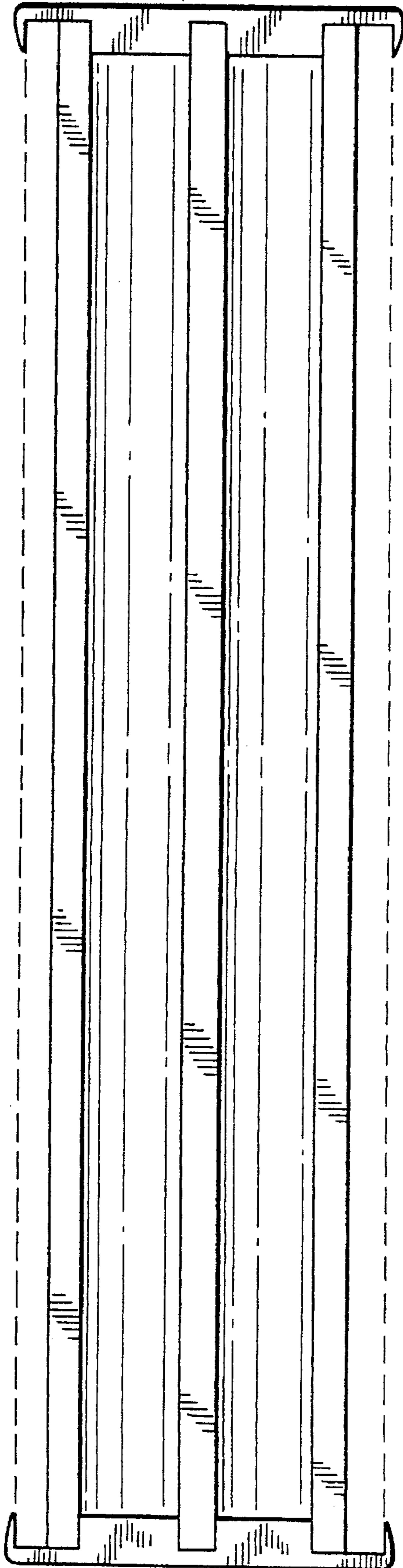


FIG. 7

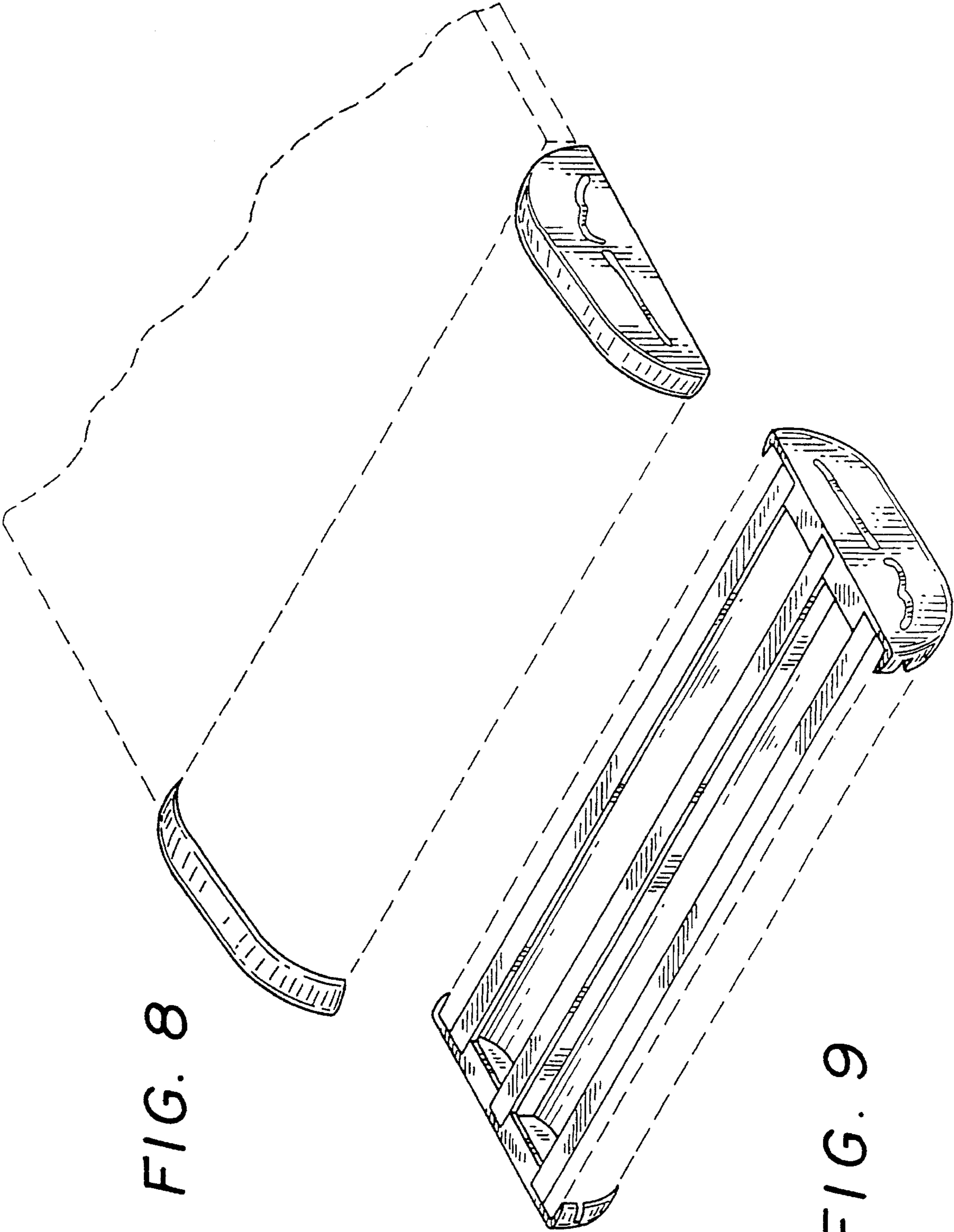


FIG. 8

FIG. 9

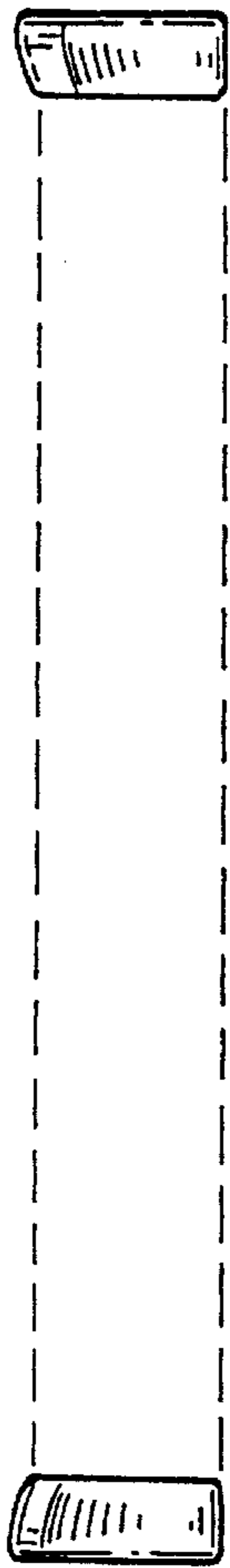


FIG. 10

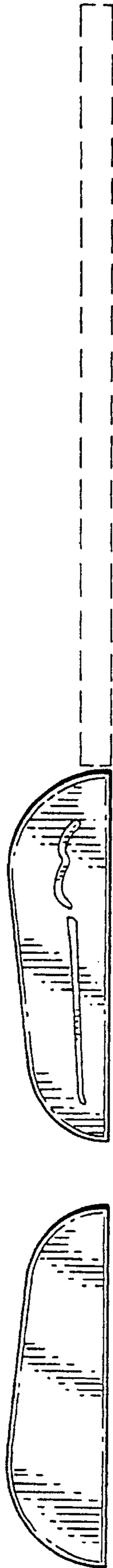


FIG. 11

FIG. 12

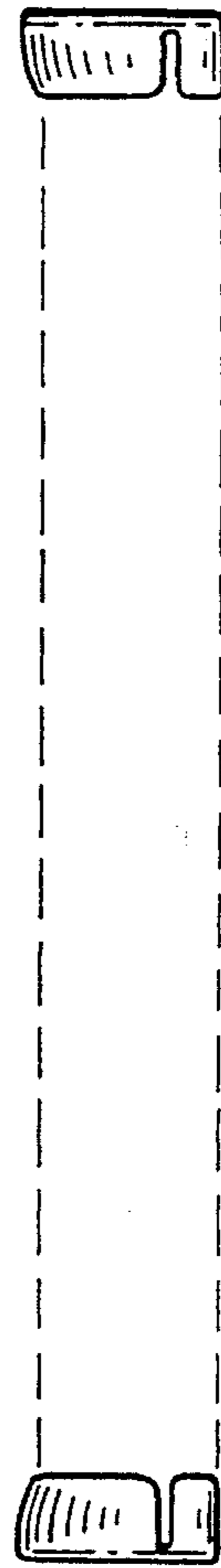


FIG. 13

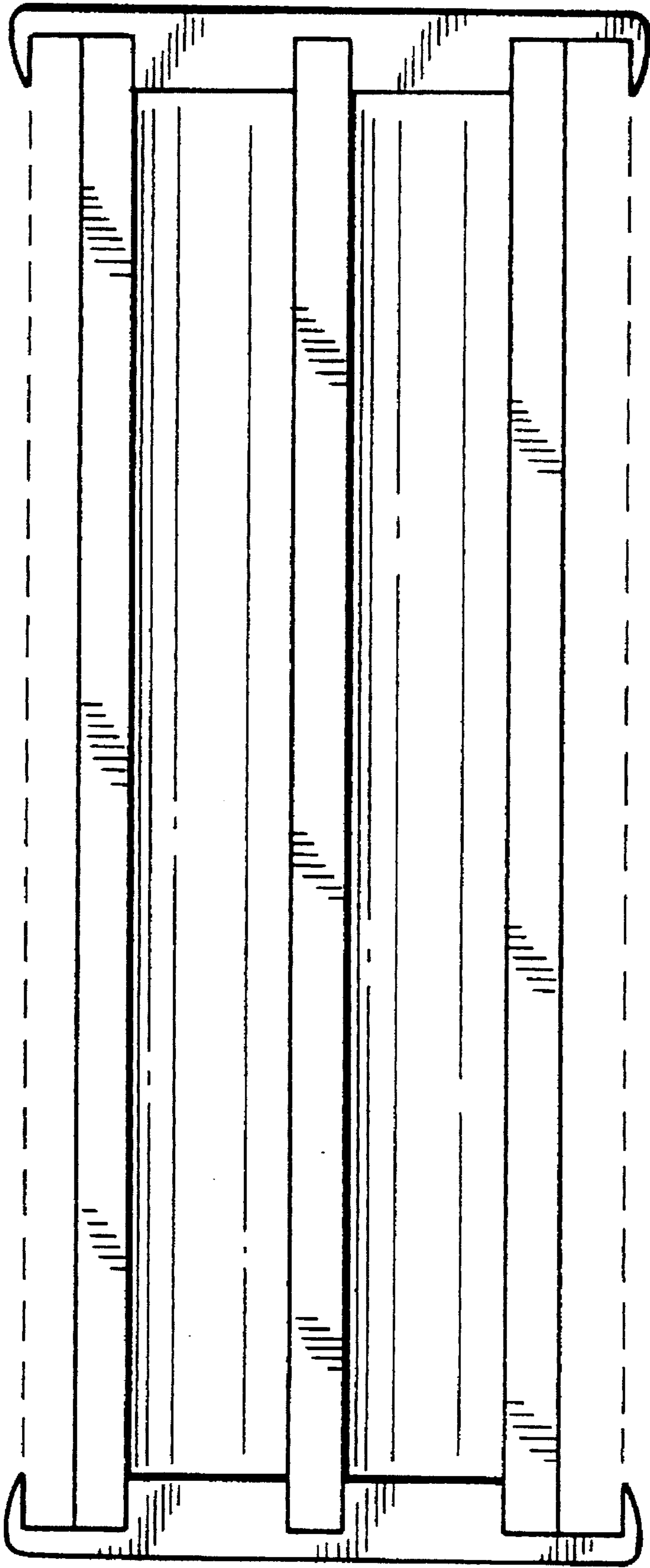


FIG. 14