



US00D373572S

# United States Patent [19]

[11] Patent Number: **Des. 373,572**

Orton

[45] Date of Patent: **\*\*Sep. 10, 1996**

[54] **HEATSINK-OUTFITTED SPEED CONROLLER HOUSING**

5,175,613 12/1992 Barker, III et al. .... 257/713  
5,349,899 9/1994 Tominaga et al. .... 165/185

[76] Inventor: **Kevin R. Orton**, Tekin Electronics, Inc., 940 Calle Negocio, San Clemente, Calif. 92673

*Primary Examiner*—Joel Sincavage  
*Attorney, Agent, or Firm*—Loyal M. Hanson

[\*\*] Term: **14 Years**

[57] **CLAIM**

The ornamental design for a heatsink-outfitted speed controller housing, as shown.

[21] Appl. No.: **48,402**

**DESCRIPTION**

[22] Filed: **Dec. 27, 1995**

[52] U.S. Cl. .... **D13/179**

FIG. 1 of the drawings is a front, top, and left side three-dimensional view of a heatsink-outfitted speed controller housing constructed according to the invention; FIG. 2 is a top view of the housing; FIG. 3 is a front view; FIG. 4 is a left side view; FIG. 5 is a right side view; FIG. 6 is a rear view; and, FIG. 7 is a bottom view.

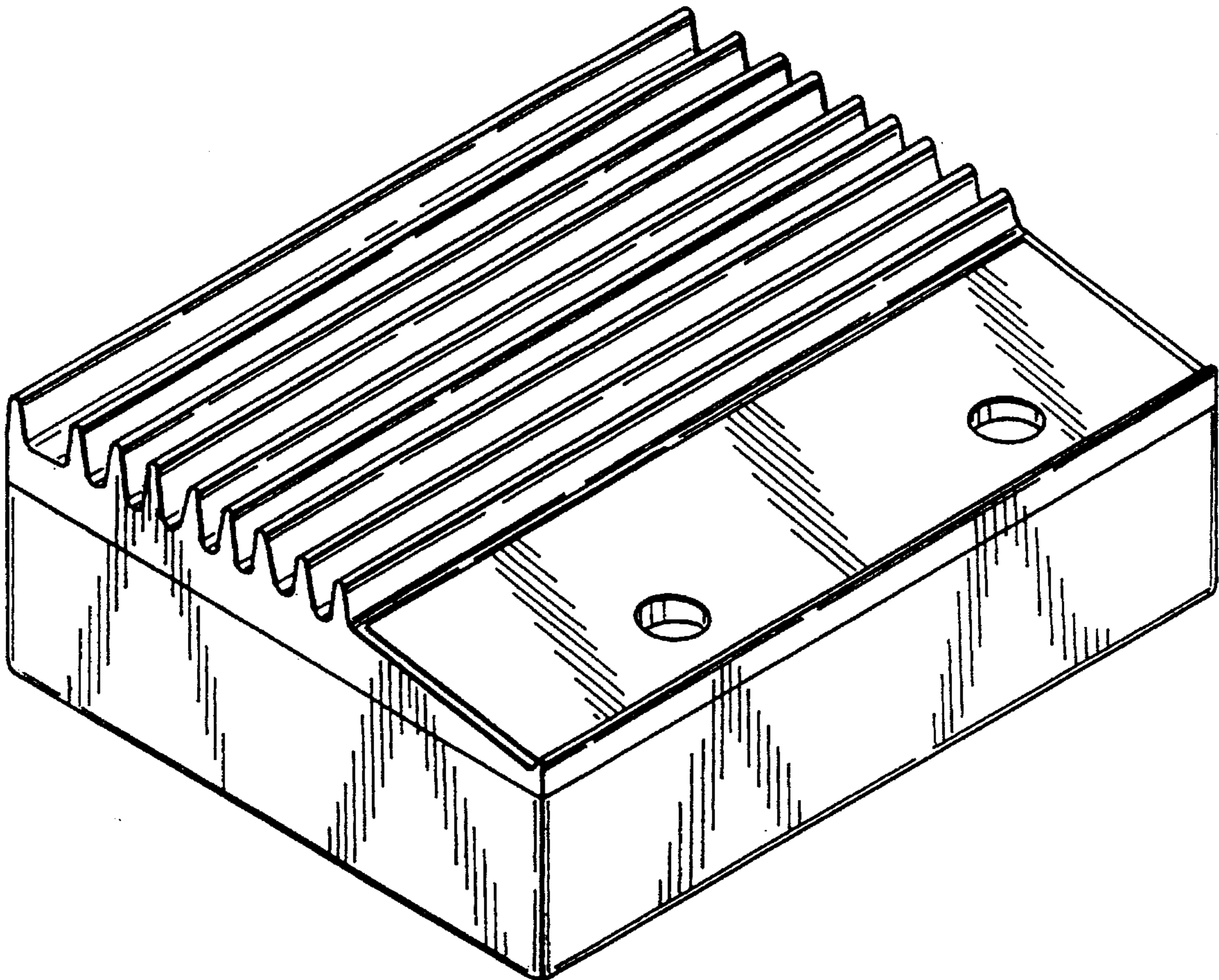
[58] **Field of Search** ..... D13/179; 361/704, 361/709, 710, 712, 718, 719, 720; 165/80.3, 185; 257/722; 174/16.3

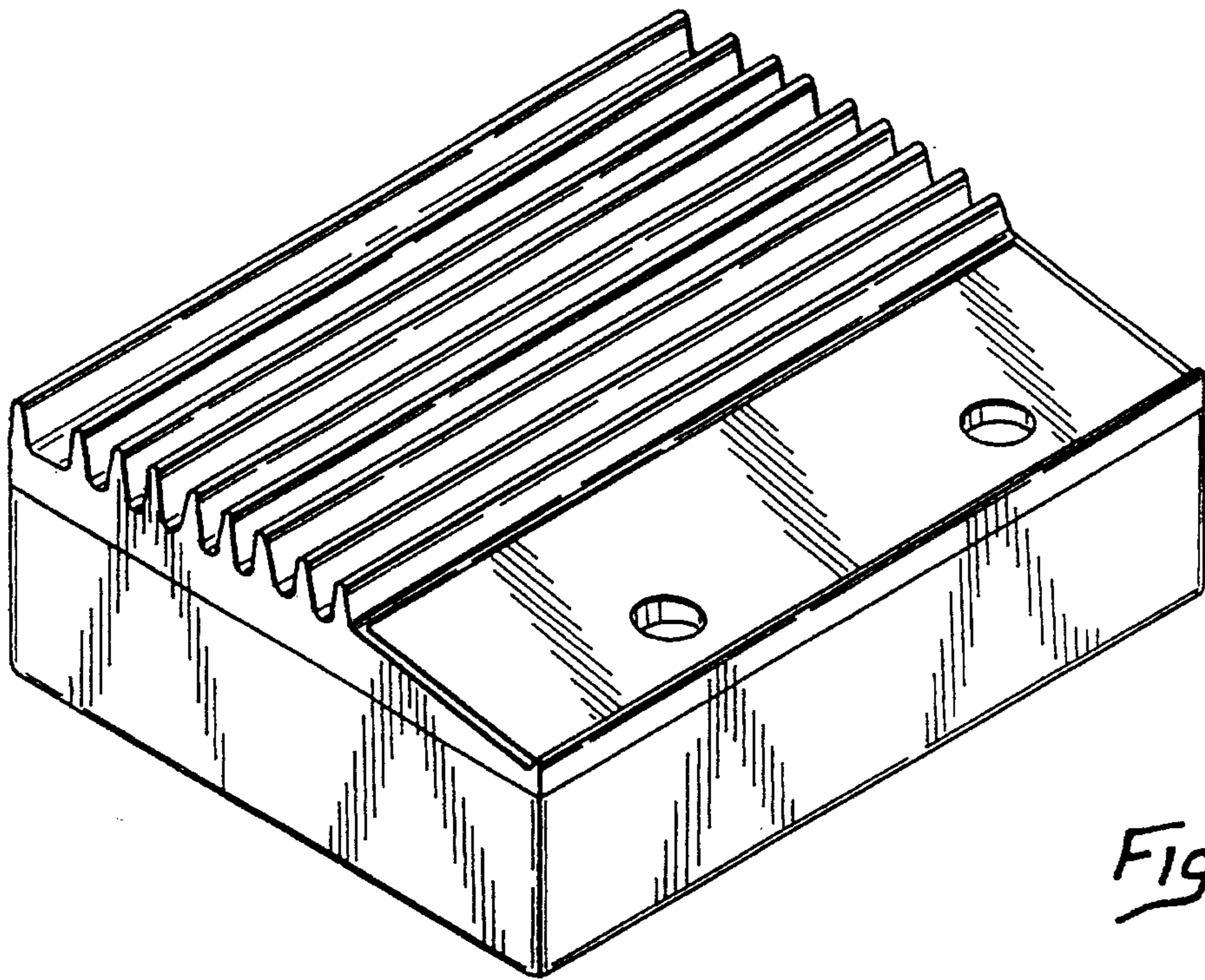
[56] **References Cited**

**U.S. PATENT DOCUMENTS**

D. 316,705 5/1991 Dickey ..... D13/179  
D. 368,253 3/1996 Graves ..... D13/179  
4,000,509 12/1976 Jarvela ..... 357/81

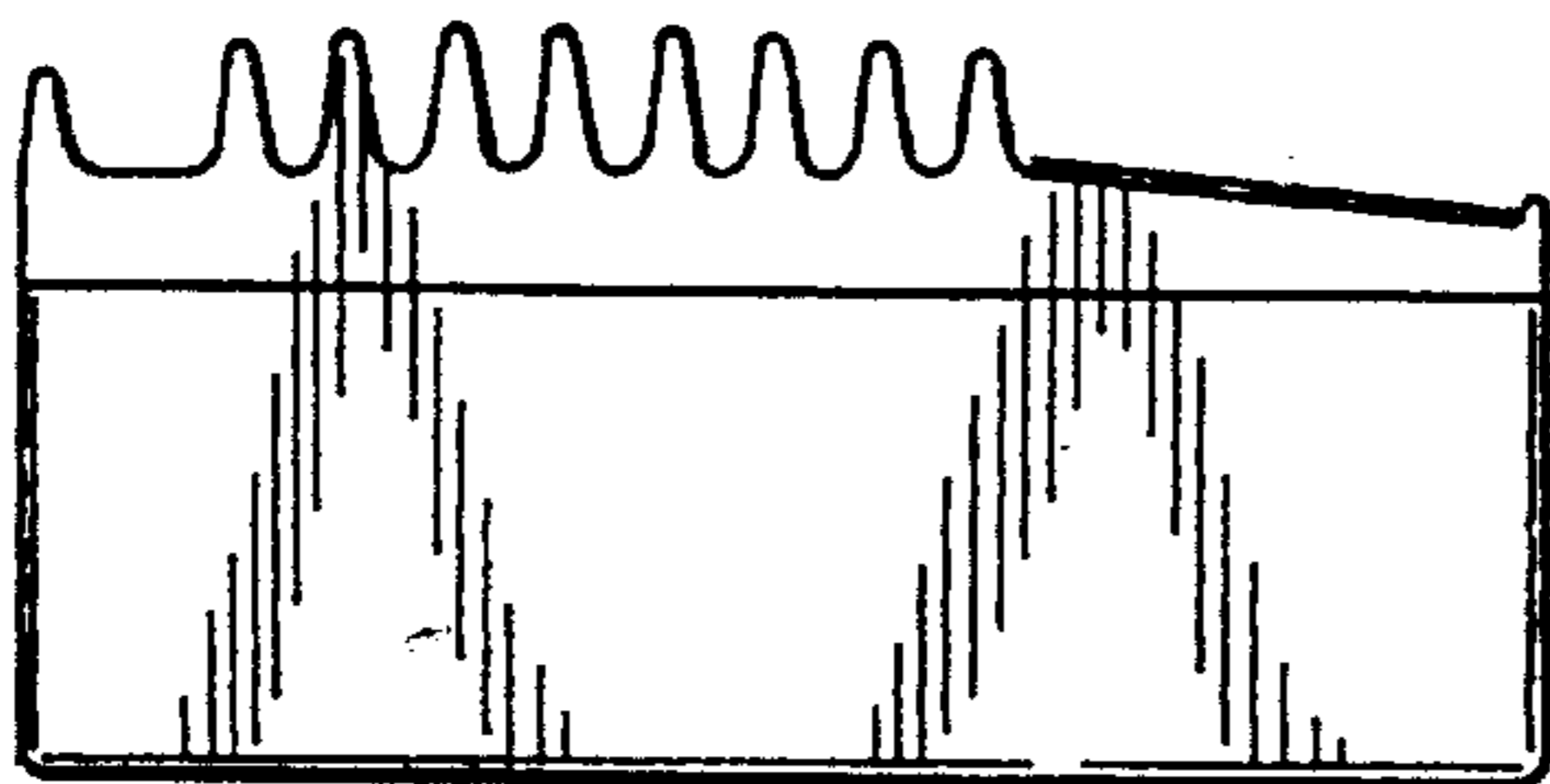
**1 Claim, 2 Drawing Sheets**





*Fig. 1*

*Fig. 3*



*Fig. 4*

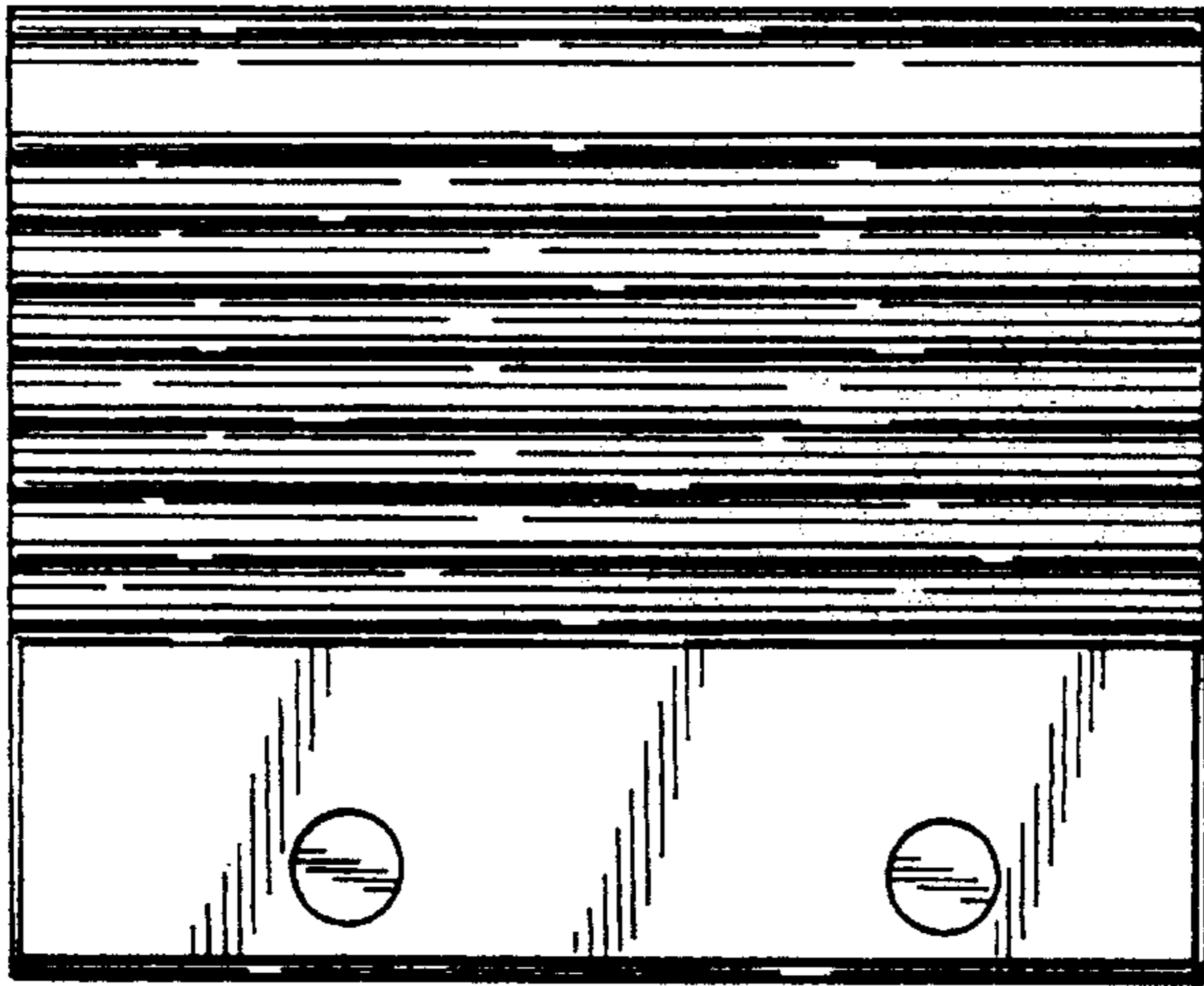


Fig. 2

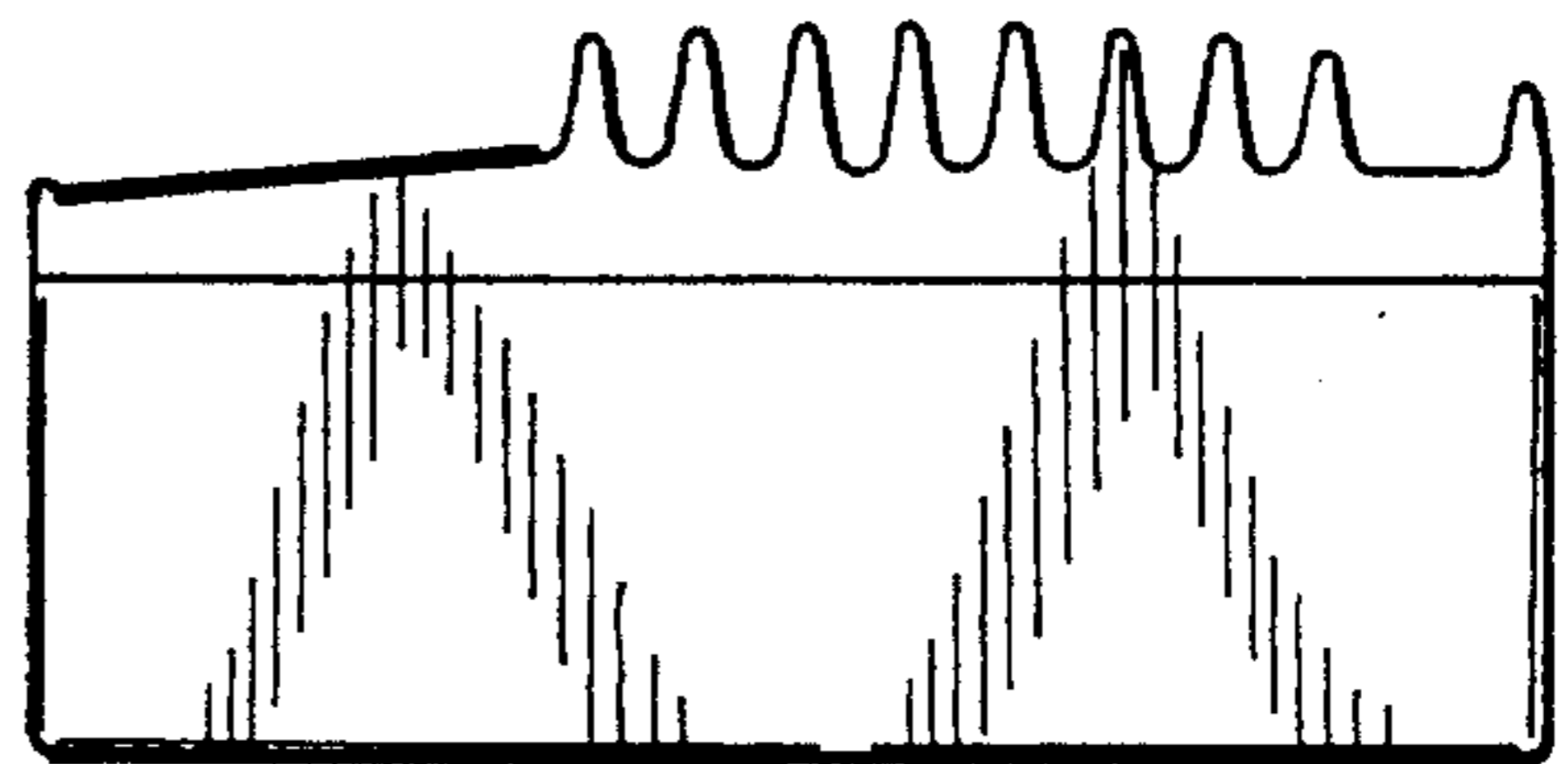


Fig. 5

Fig. 6

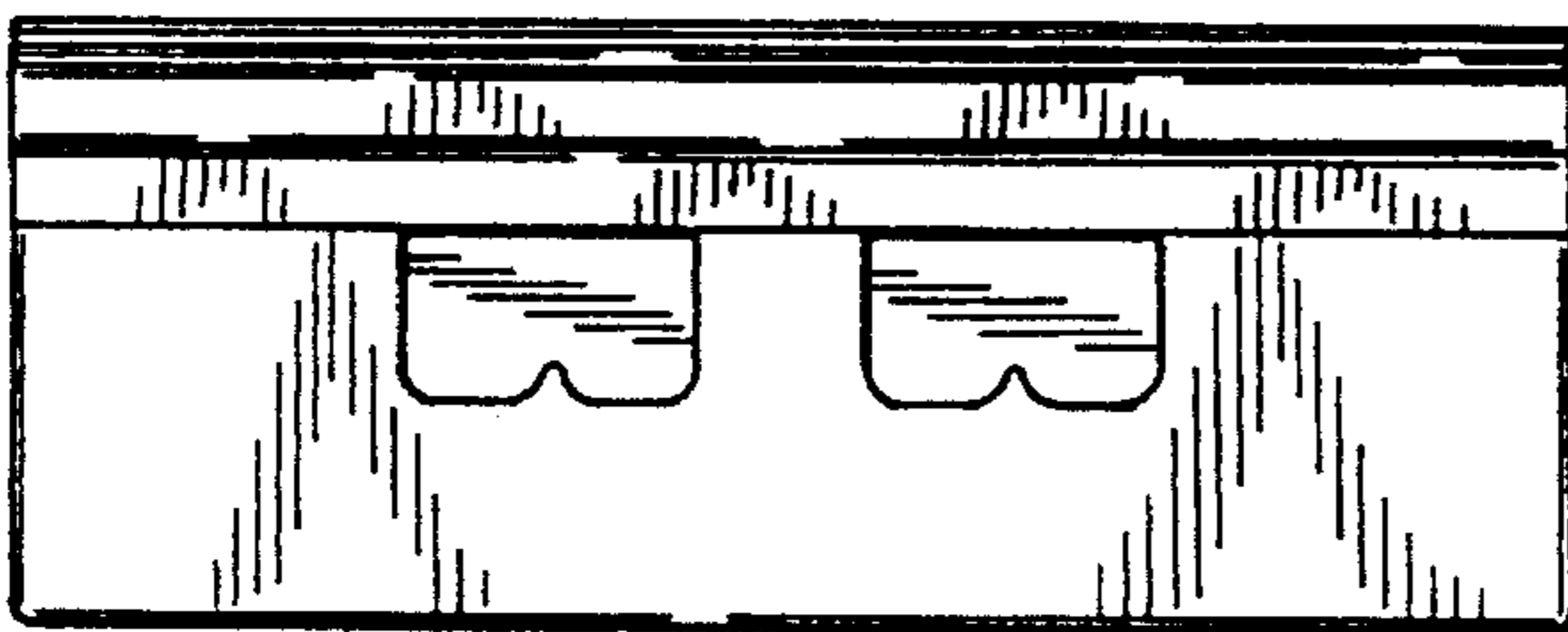


Fig. 7

