



US00D373570S

United States Patent [19]

[11] Patent Number: **Des. 373,570**

Kudo et al.

[45] Date of Patent: ***** Sep. 10, 1996**

[54] FUSE

662783	7/1985	Japan .
787741	2/1990	Japan .
870163	3/1993	Japan .
901506	4/1994	Japan .

[75] Inventors: **Toshiharu Kudo; Hisashi Hanazaki; Mitsuhiro Totsuka; Takayoshi Endo,** all of Shizuoka-ken, Japan

Primary Examiner—Joel Sincavage
Attorney, Agent, or Firm—Saidman Designlaw Group

[73] Assignee: **Yazaki Corporation,** Tokyo, Japan

[*] Notice: The portion of the term of this patent subsequent to Mar. 19, 2010, has been disclaimed.

[57] **CLAIM**

The ornamental design for a fuse, as shown and described.

[**] Term: **14 Years**

DESCRIPTION

[21] Appl. No.: **31,605**

FIG. 1 is a perspective view of a fuse showing our new design;

[22] Filed: **Dec. 1, 1994**

FIG. 2 is a front elevational view thereof, the rear view being identical thereto;

[30] **Foreign Application Priority Data**

Jun. 1, 1994	[JP]	Japan	6-15565
Jun. 1, 1994	[JP]	Japan	6-15566

FIG. 3 is a right side view thereof, the left side view being identical thereto;

[52] U.S. Cl. **D13/161**

FIG. 4 is a top view thereof;

[58] Field of Search D13/161; 439/621, 439/622; 337/186, 201, 231, 279, 295, 414; 29/623

FIG. 5 is a bottom view thereof;

[56] **References Cited**

U.S. PATENT DOCUMENTS

D. 318,855	8/1991	Tsuji et al.	D13/161
5,345,211	9/1994	Muramatsu et al.	439/621 X

FIG. 6 is a perspective view of a second embodiment of a fuse showing our new design;

FIG. 7 is a front elevational view thereof, the rear view being identical thereto;

FIG. 8 is a right side view thereof, the left side view being identical thereto;

FIG. 9 is a top view thereof; and,

FIG. 10 is a bottom view thereof.

FOREIGN PATENT DOCUMENTS

597228 12/1982 Japan .

1 Claim, 2 Drawing Sheets

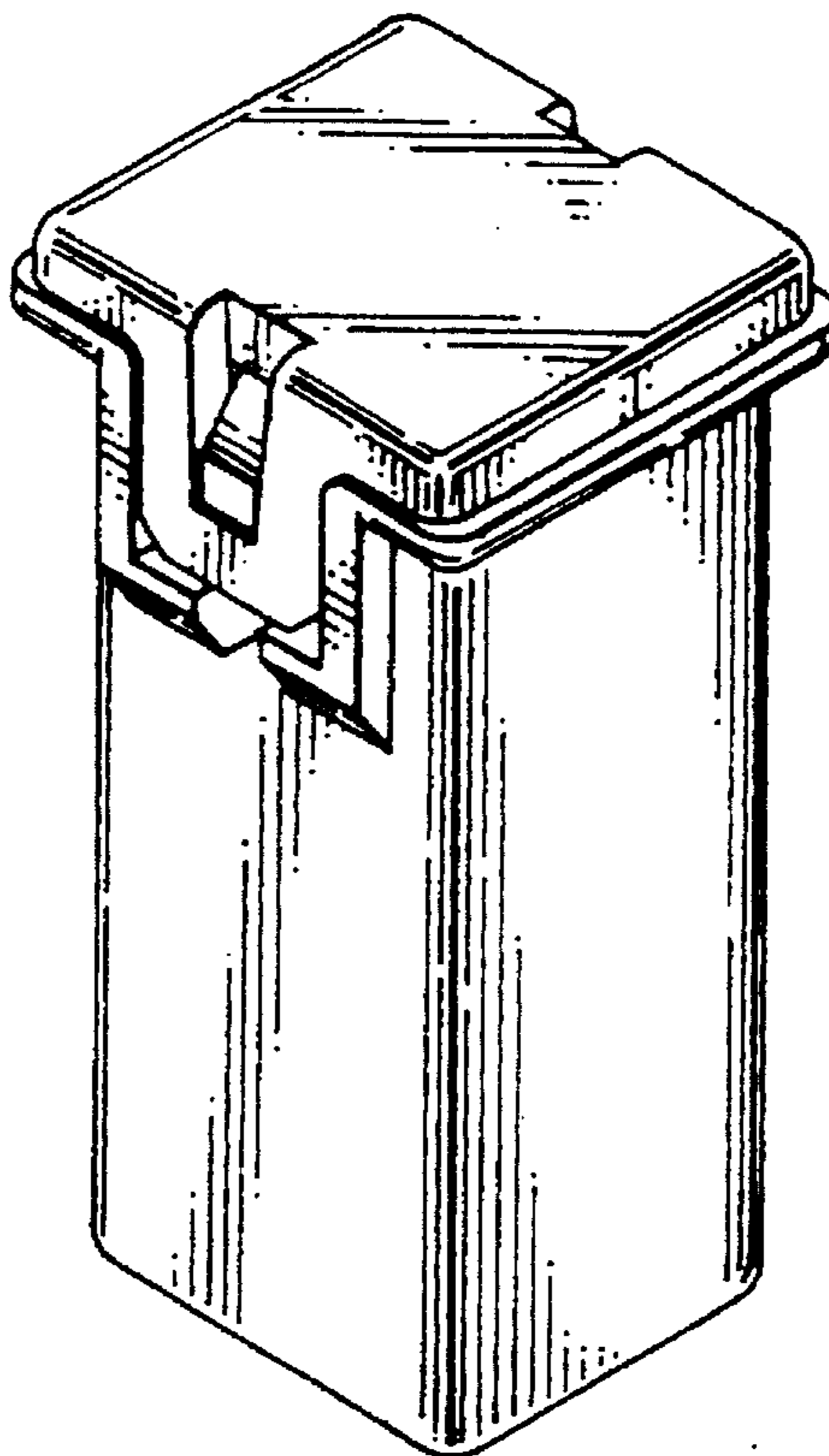


FIG. 1

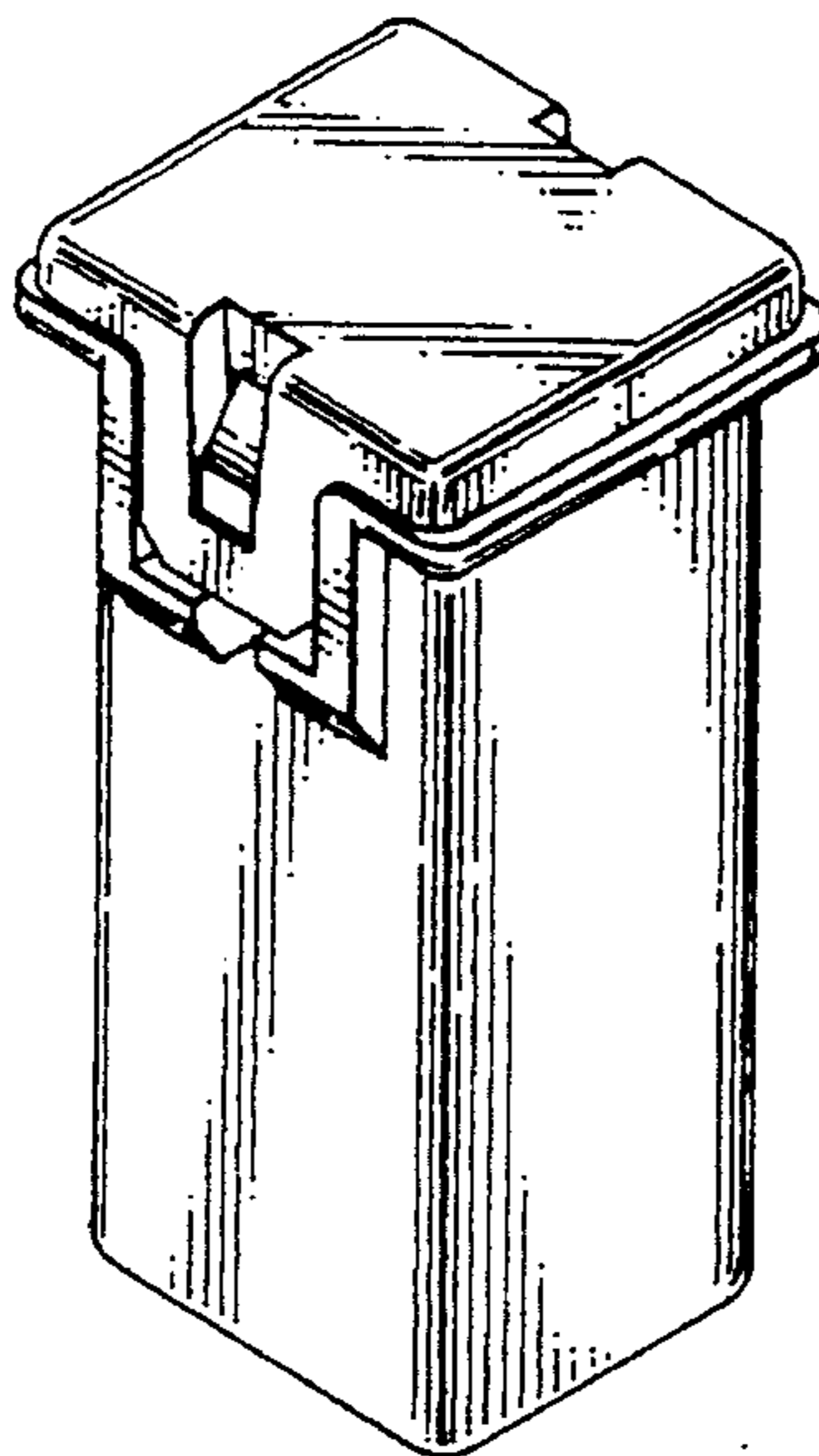


FIG. 2

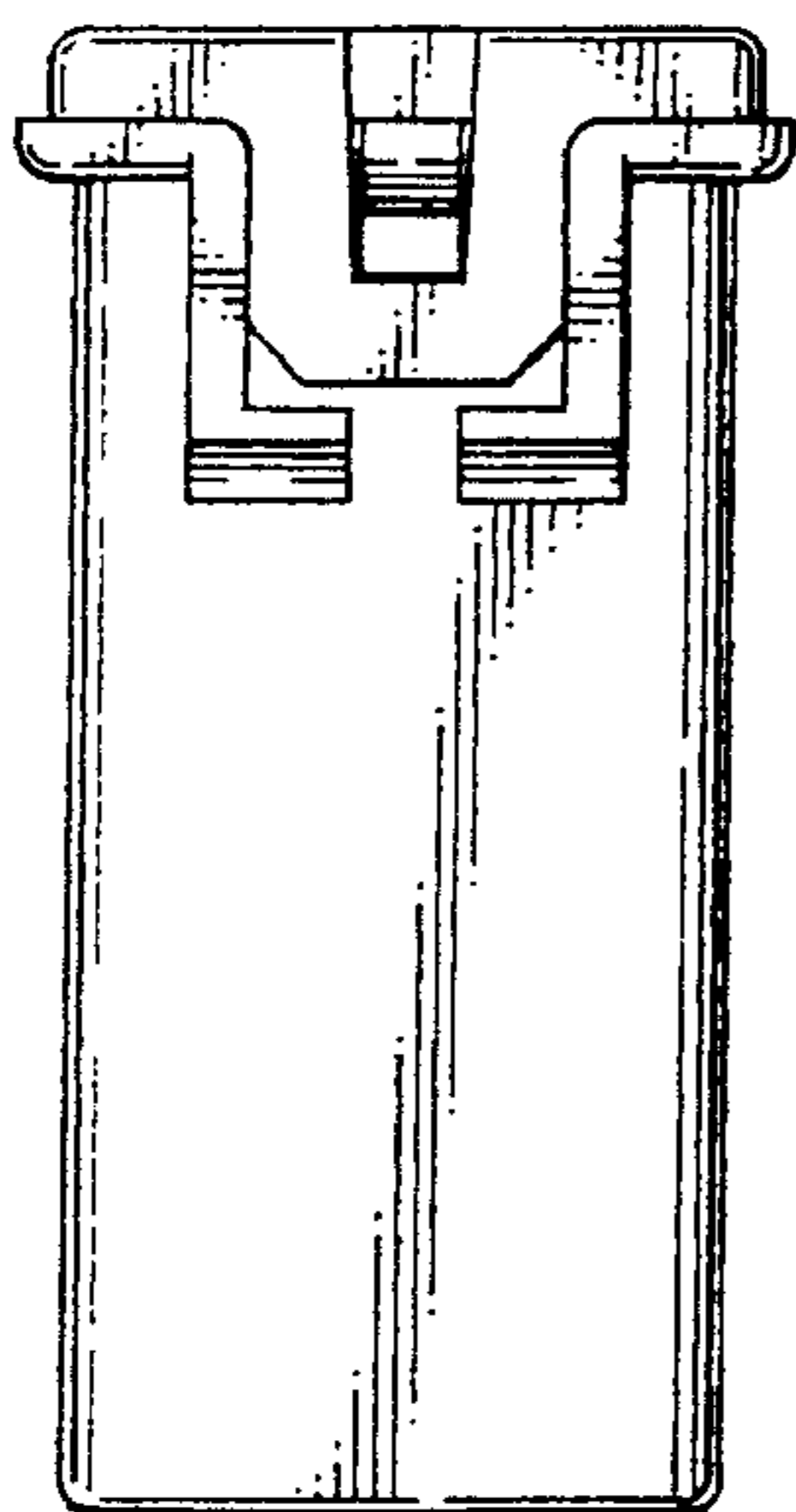


FIG. 3

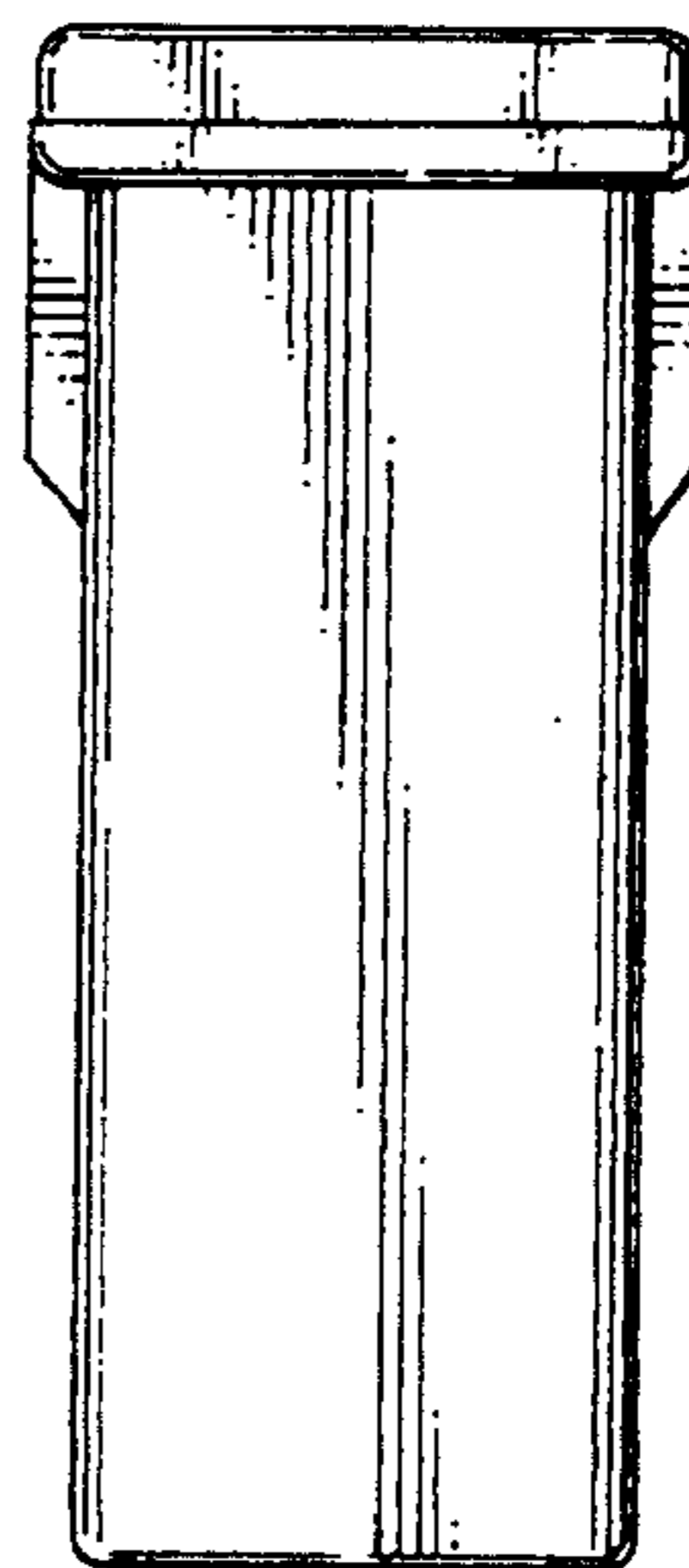


FIG. 4

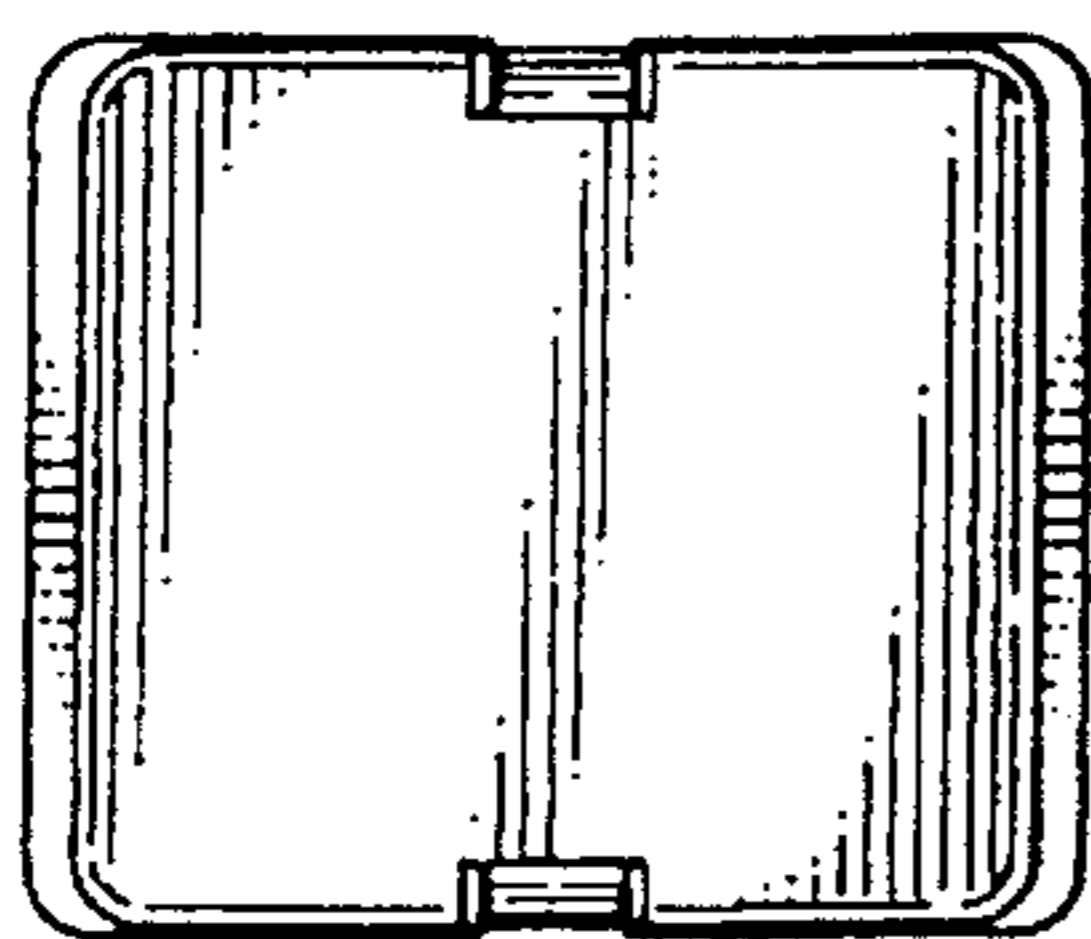


FIG. 5

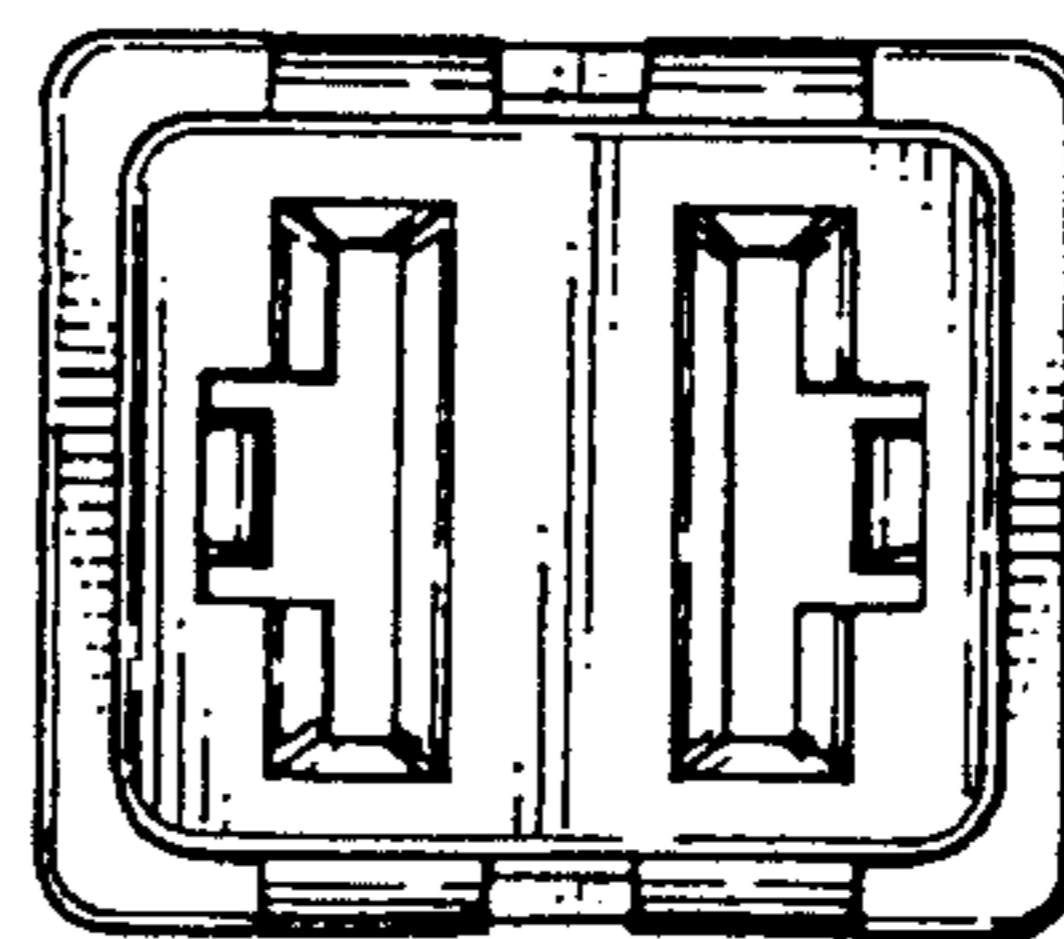


FIG. 6

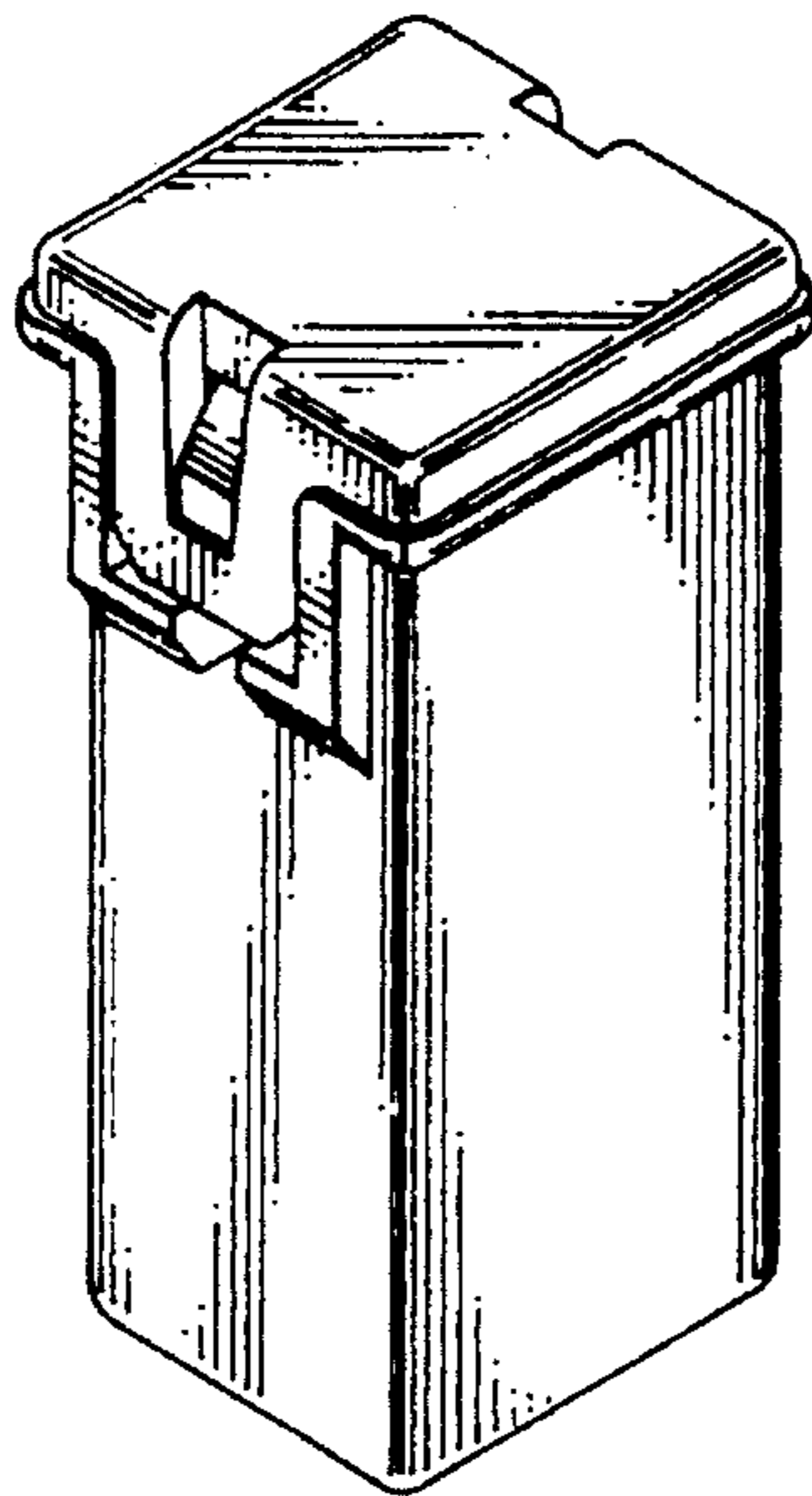


FIG. 7

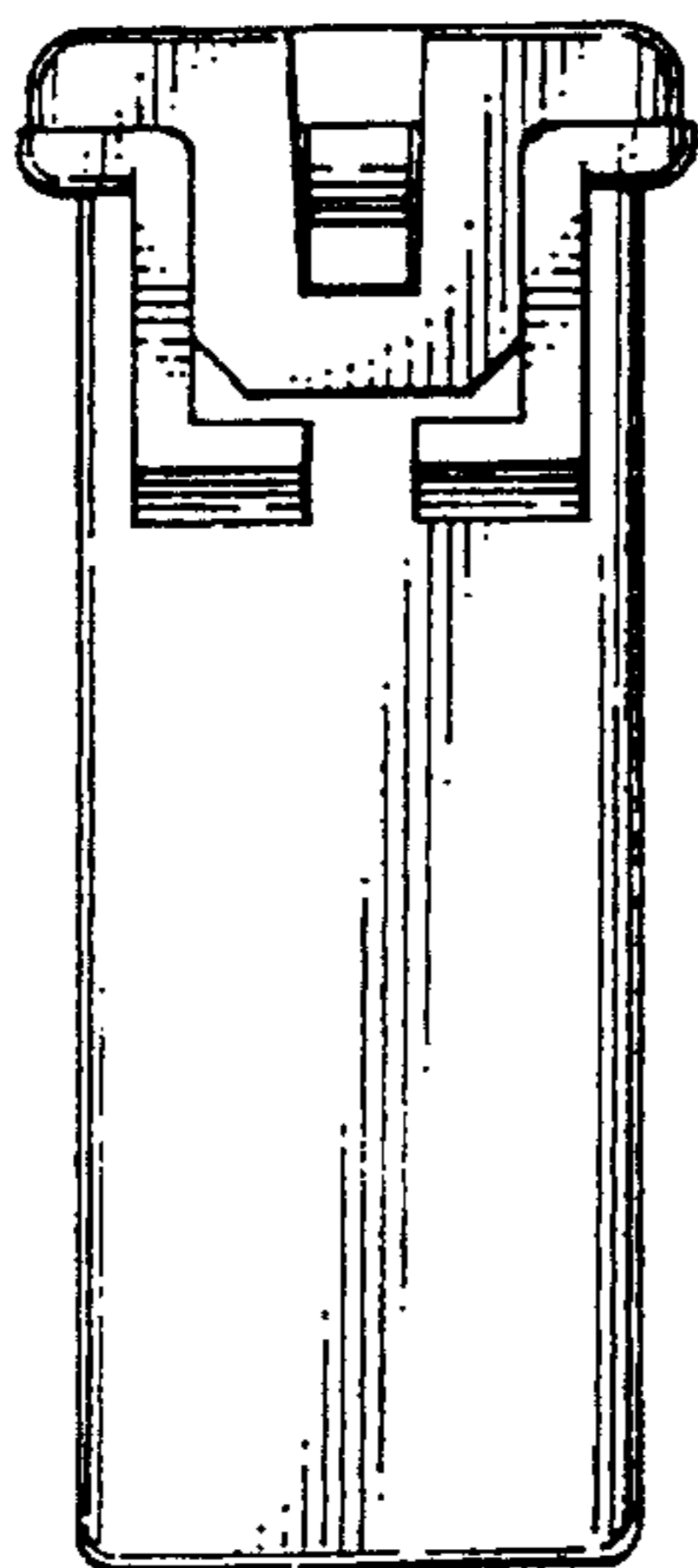


FIG. 8

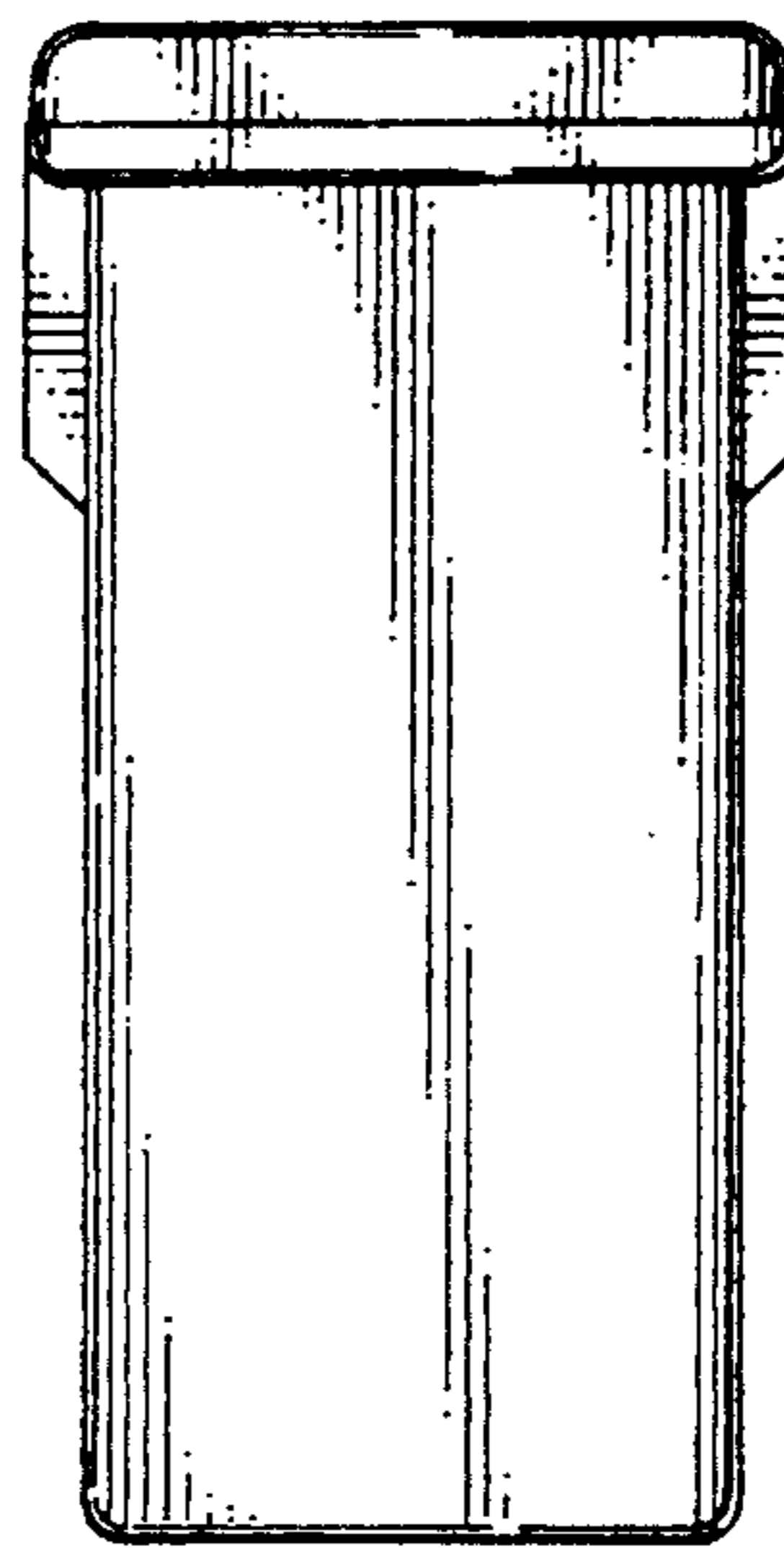


FIG. 9

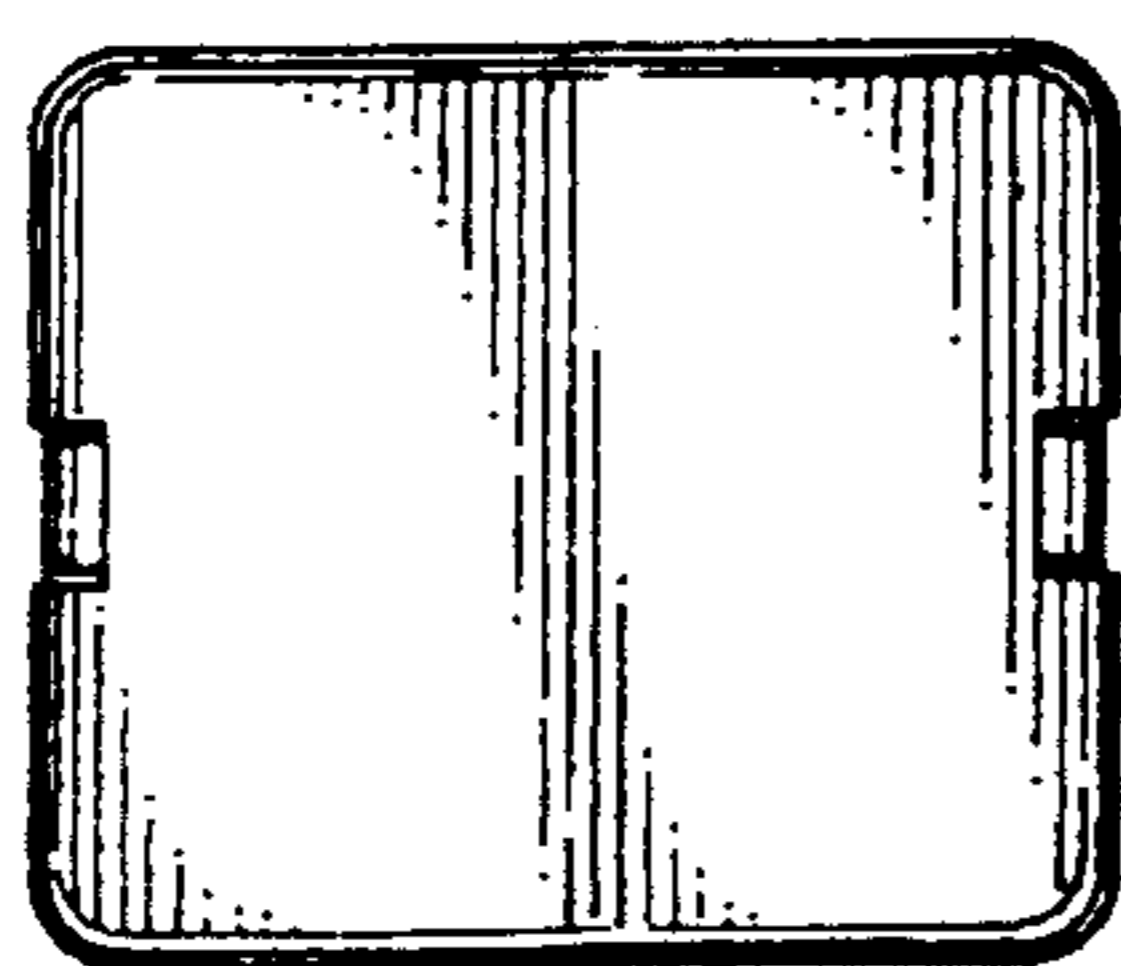


FIG. 10

