



US00D373568S

United States Patent [19]

[11] Patent Number: Des. 373,568

Bloom et al.

[45] Date of Patent: **Sep. 10, 1996

[54] **TWO-PIECE INTERLOCKING CONNECTOR**

[75] Inventors: **Mitchell H. Bloom**, Tulsa County, Okla.; **Richard J. Robbins**, Sedgwick County, Kans.

[73] Assignee: **Lowrance Electronics, Inc.**, Tulsa, Okla.

[**] Term: **14 Years**

[21] Appl. No.: **44,809**

[22] Filed: **Sep. 28, 1995**

[52] U.S. Cl. **D13/133**

[58] Field of Search D13/133; 439/292, 439/293, 296, 345, 350, 352, 353, 357, 358

[56] **References Cited**

U.S. PATENT DOCUMENTS

4,548,455	10/1985	Ezure	439/352
4,857,008	8/1989	Kee et al.	439/352
4,917,627	4/1990	Hendricks	439/357 X

Primary Examiner—Joel Sincavage

Attorney, Agent, or Firm—Bell, Seltzer, Park & Gibson, P.A.

[57] **CLAIM**

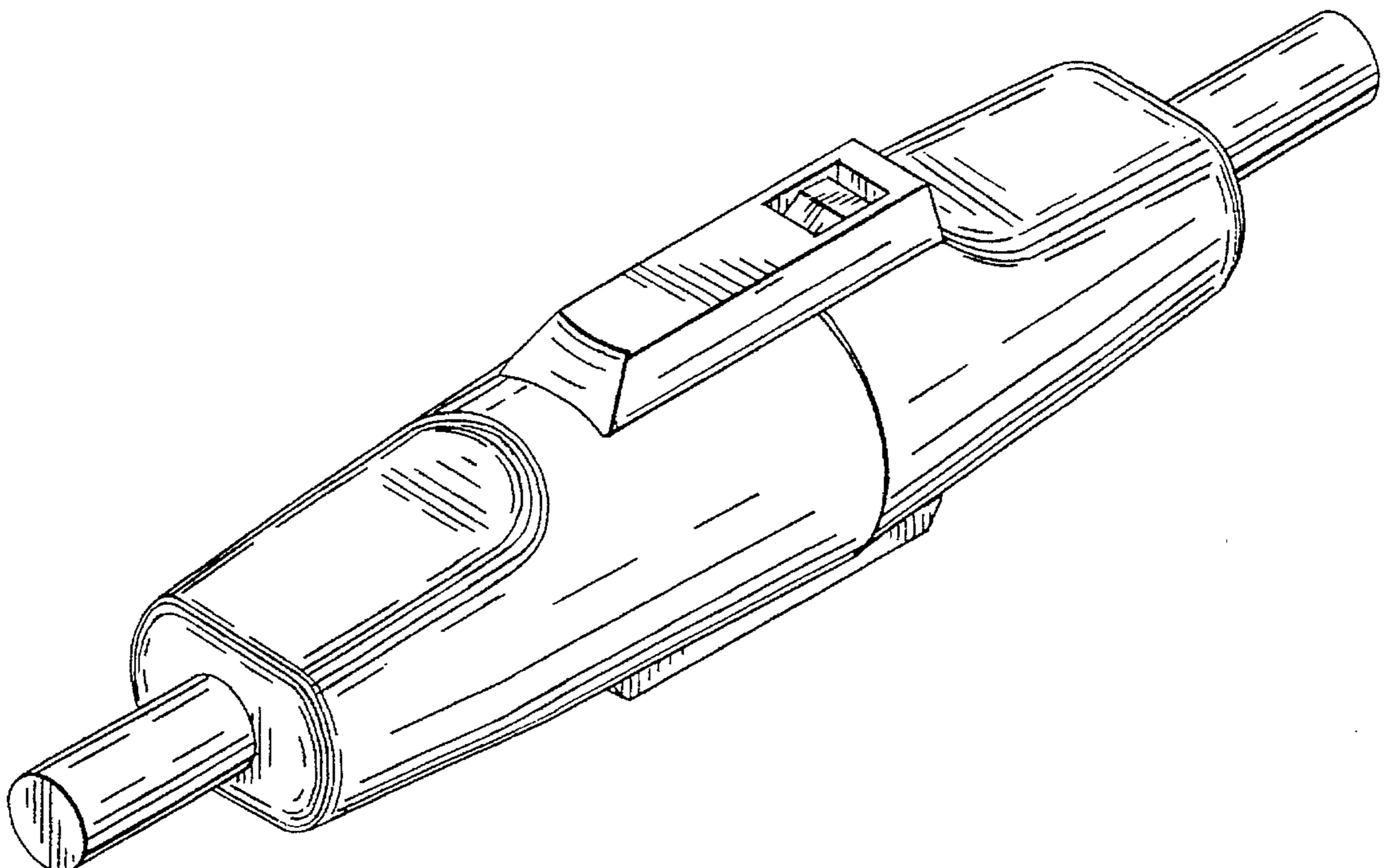
The ornamental design for a two-piece interlocking connector, as shown and described.

DESCRIPTION

FIG. 1 is a front perspective view of an assembled two-piece interlocking connector embodying our new design;

FIG. 2 is a side elevational view thereof, taken from the side opposite that illustrated in FIG. 1;
 FIG. 3 is a bottom plan view thereof, taken from the side opposite that illustrated in FIG. 1;
 FIG. 4 is an end view taken from the left of the assembled two-piece interlocking connector illustrated in FIG. 1;
 FIG. 5 is an end view taken from the right of the assembled two-piece interlocking connector illustrated in FIG. 1;
 FIG. 6 is a front perspective view of a female component of the two-piece interlocking connector illustrated in FIG. 1;
 FIG. 7 is a side elevational view thereof, taken from the side opposite that illustrated in FIG. 6;
 FIG. 8 is a bottom plan view thereof, taken from the side opposite that illustrated in FIG. 6;
 FIG. 9 is an end view taken from the left of the female component of the two-piece interlocking connector illustrated in FIG. 6;
 FIG. 10 is an end view taken from the right of the female component of the two-piece interlocking connector illustrated in FIG. 6;
 FIG. 11 is a front perspective view of a male component of the two-piece interlocking connector illustrated in FIG. 1;
 FIG. 12 is a side elevational view thereof, taken from the side opposite that illustrated in FIG. 11;
 FIG. 13 is a bottom plan view thereof, taken from the side opposite that illustrated in FIG. 11;
 FIG. 14 is an end view taken from the left of the male component of the two-piece interlocking connector illustrated in FIG. 11; and,
 FIG. 15 is an end view taken from the right of the male component of the two-piece interlocking connector illustrated in FIG. 11.

1 Claim, 3 Drawing Sheets



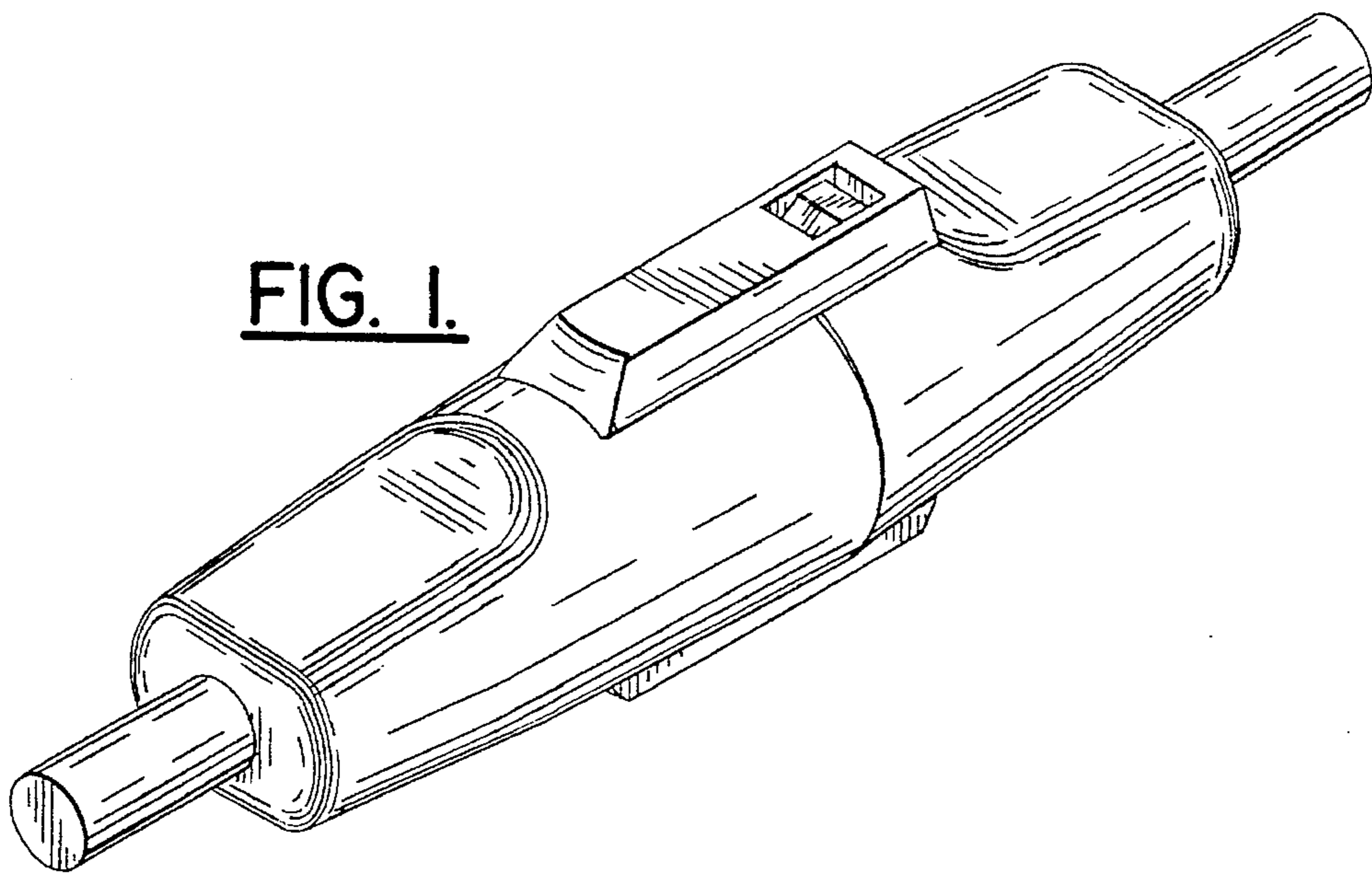


FIG. 1.

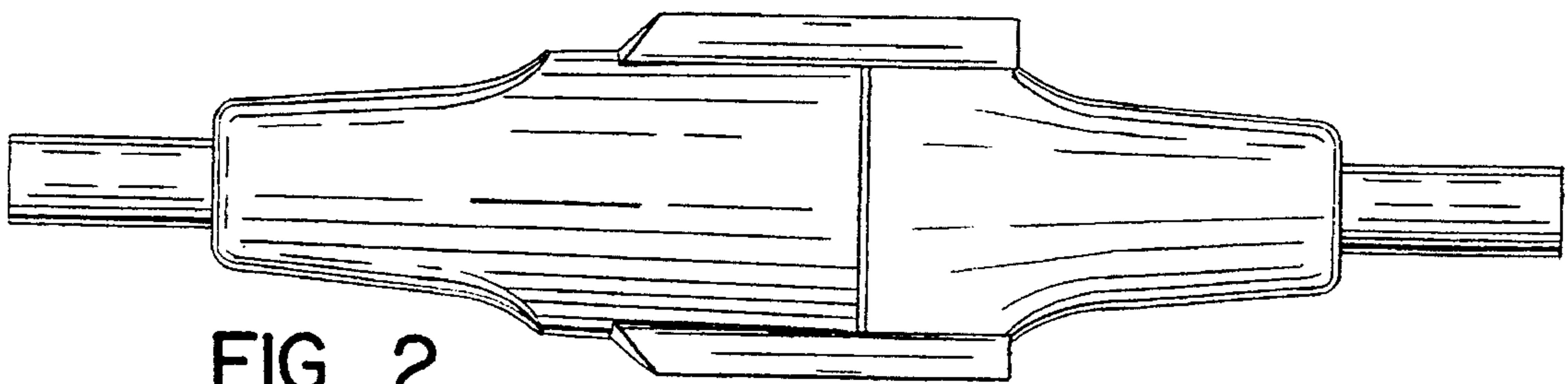


FIG. 2.

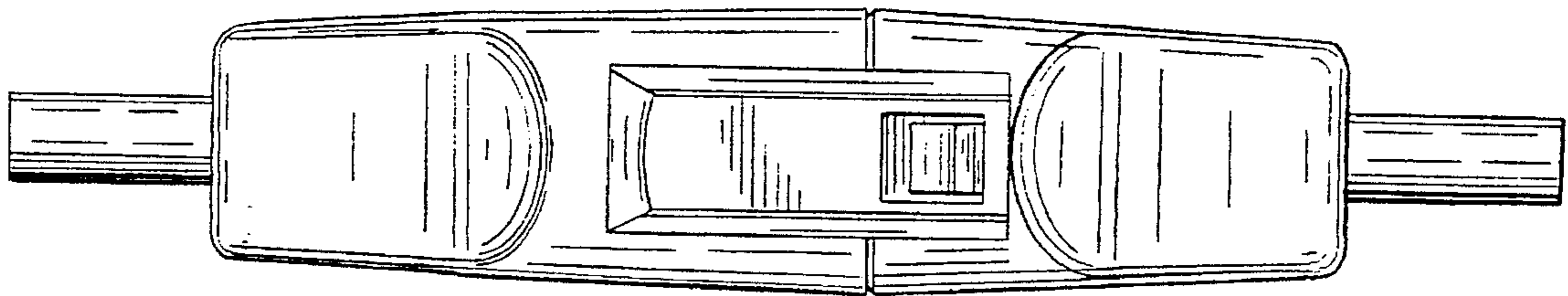


FIG. 3.

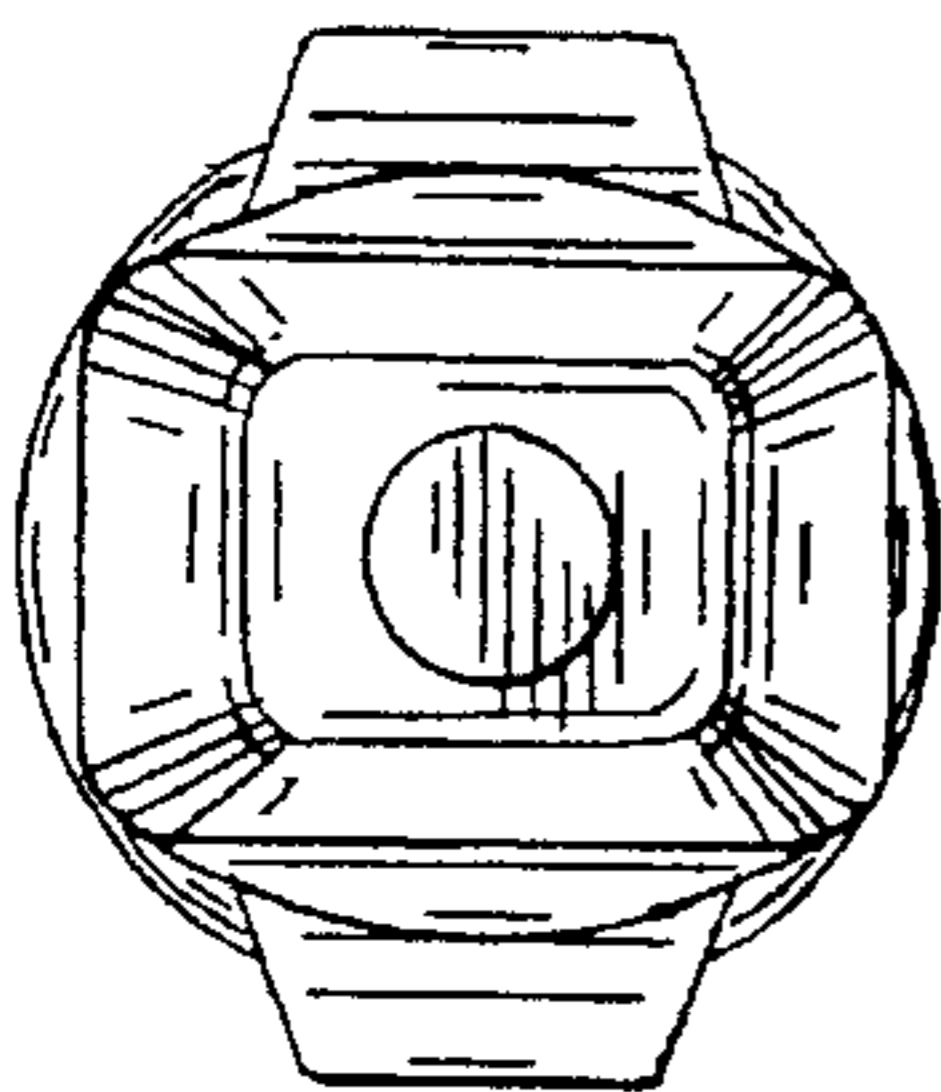


FIG. 4.

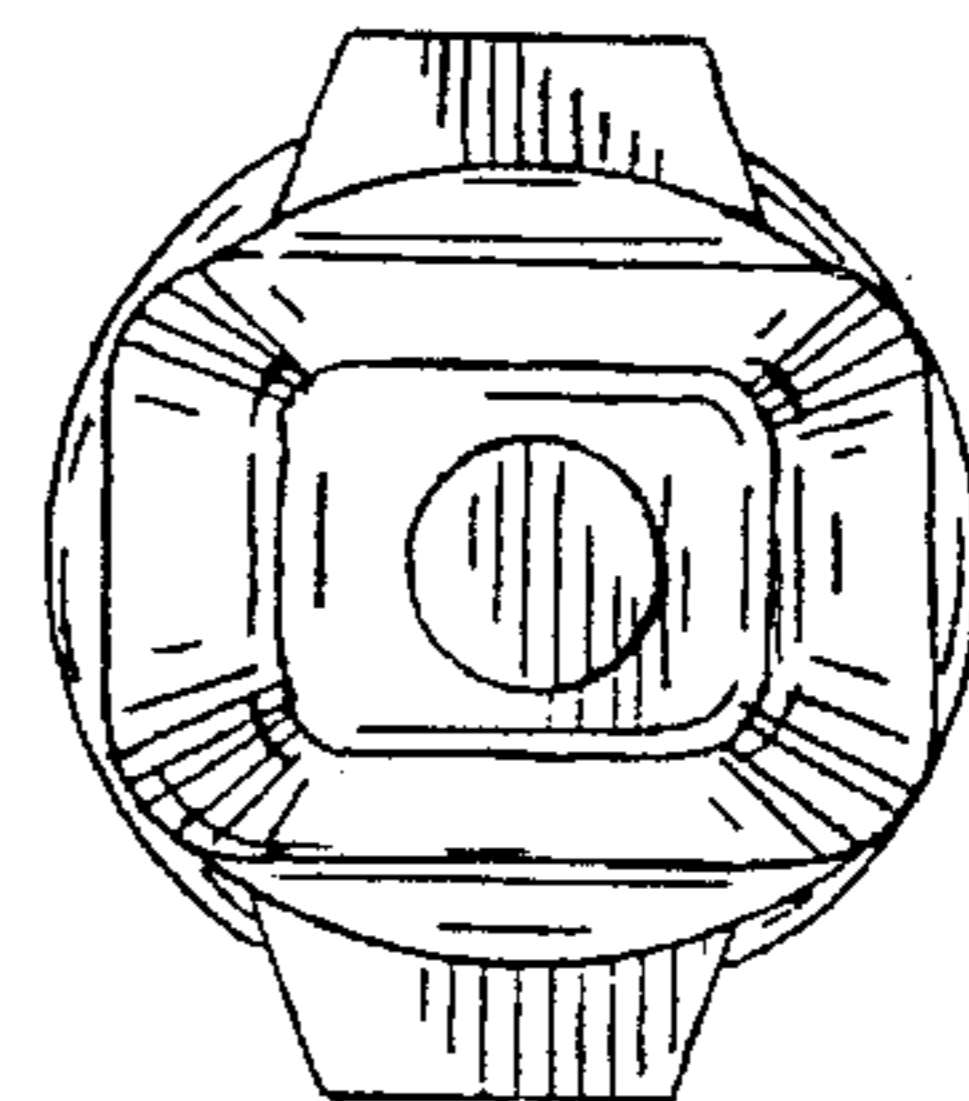


FIG. 5.

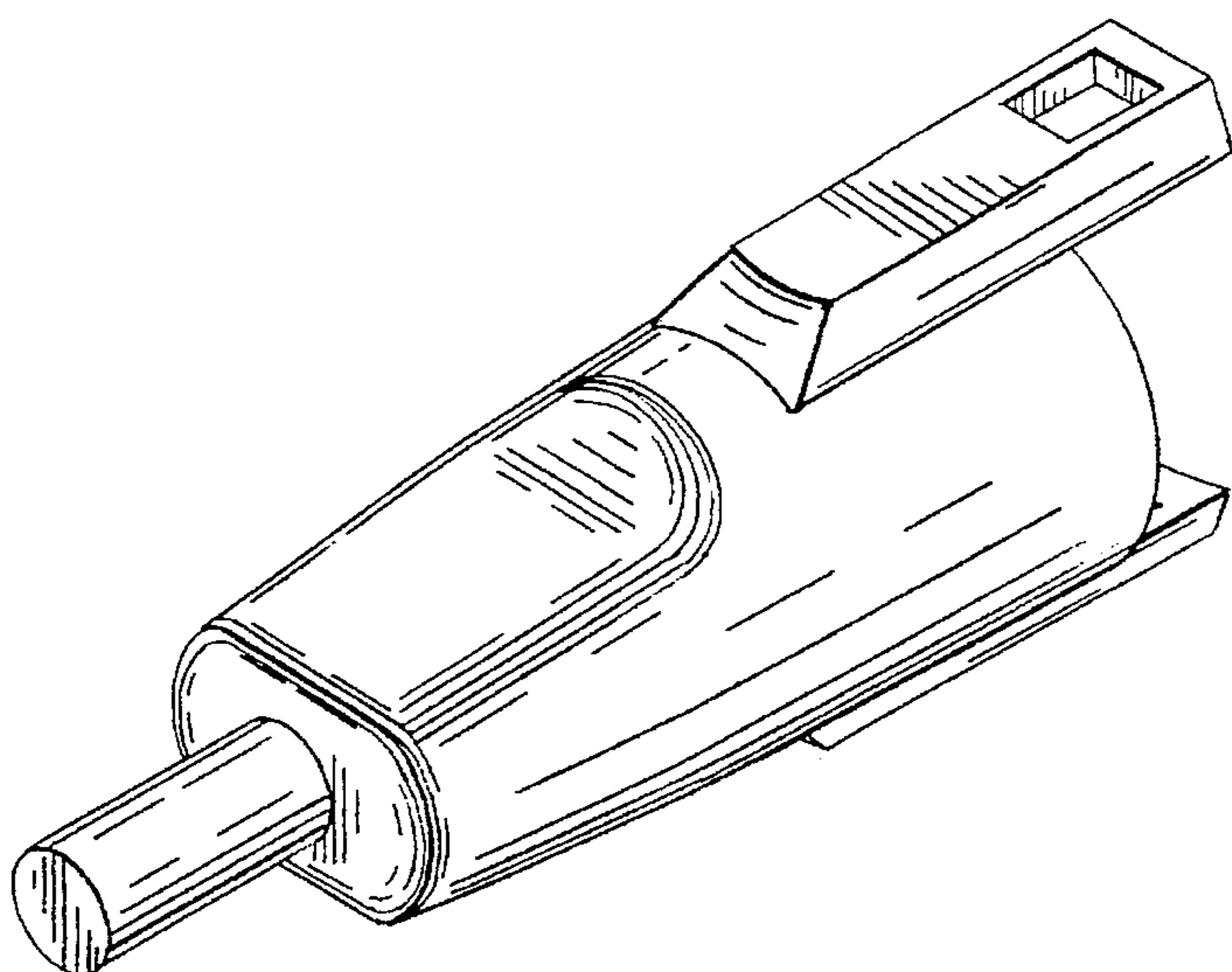


FIG. 6.

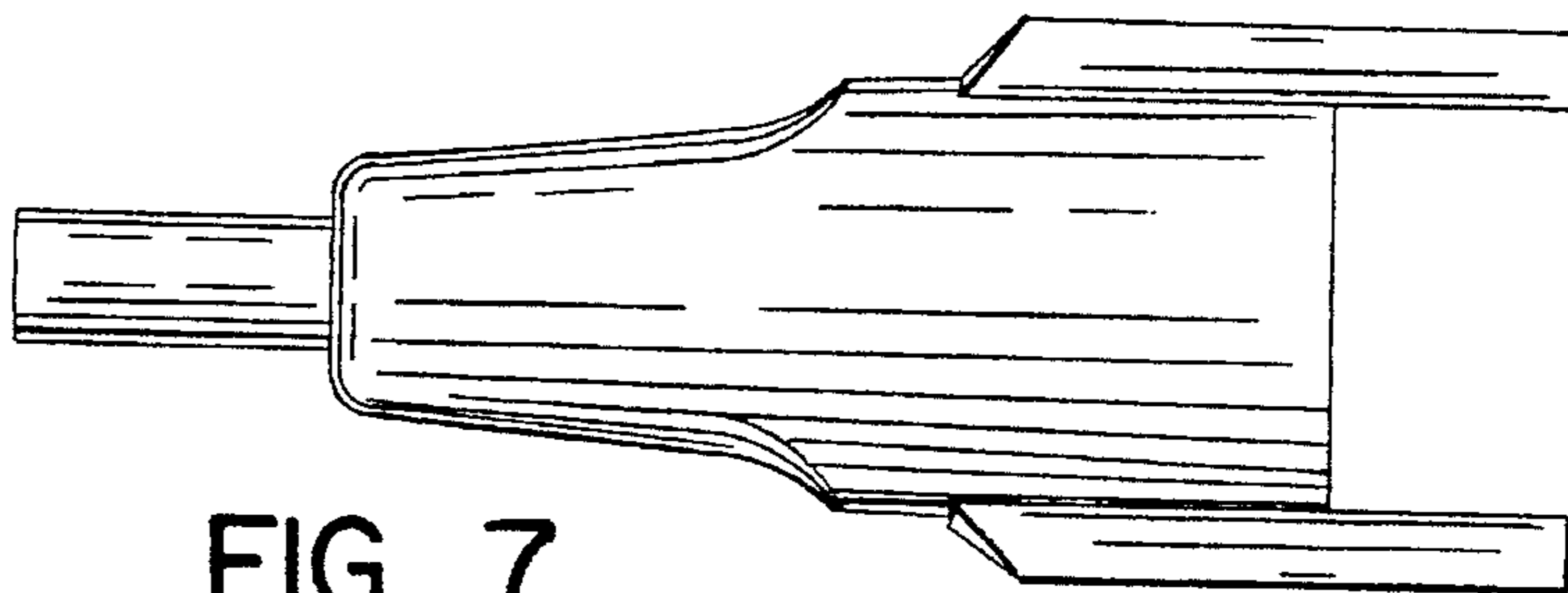


FIG. 7.

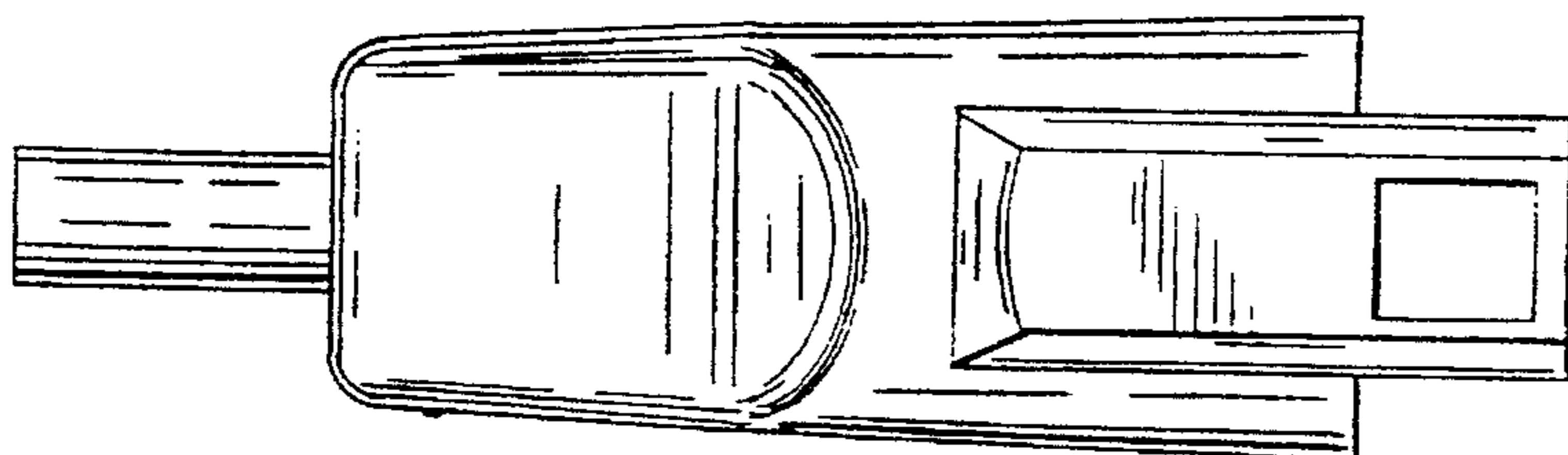


FIG. 8.

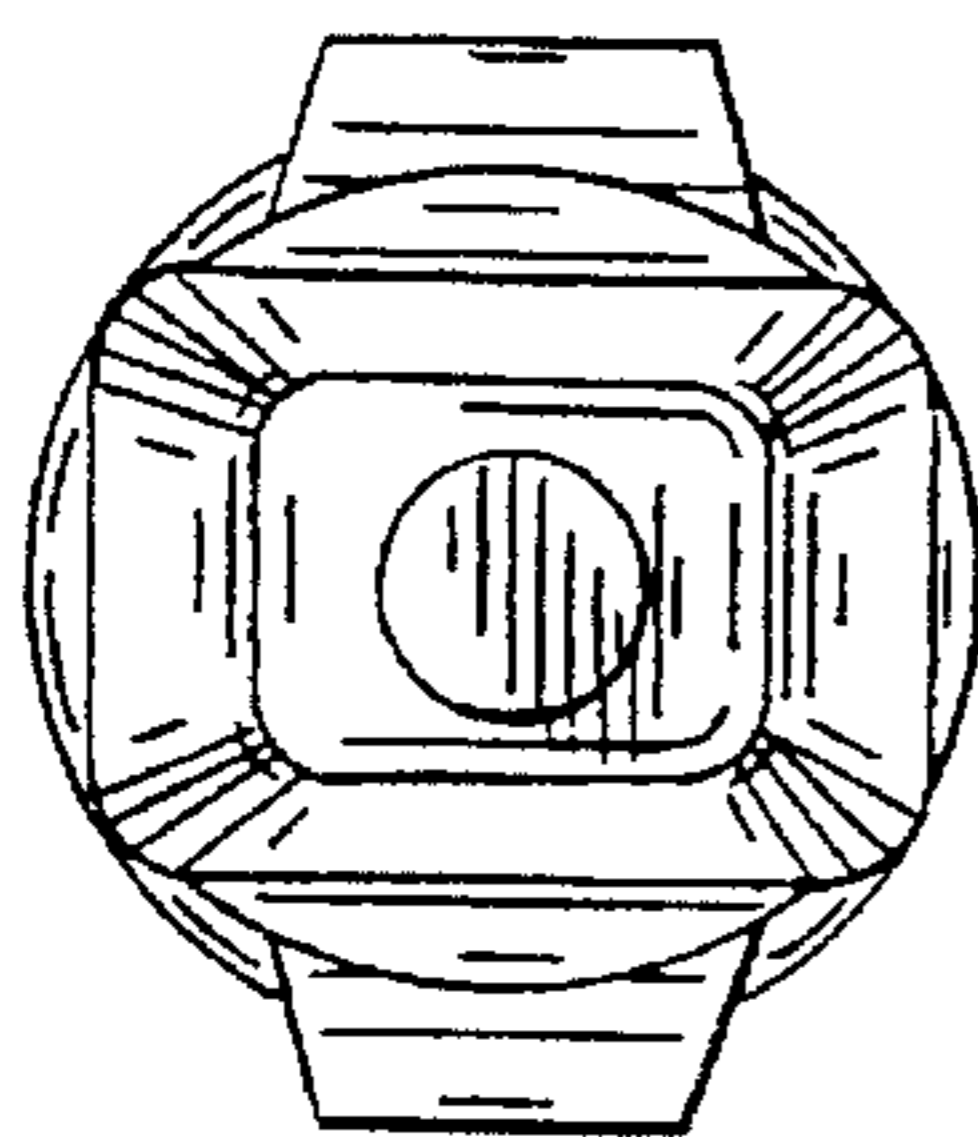
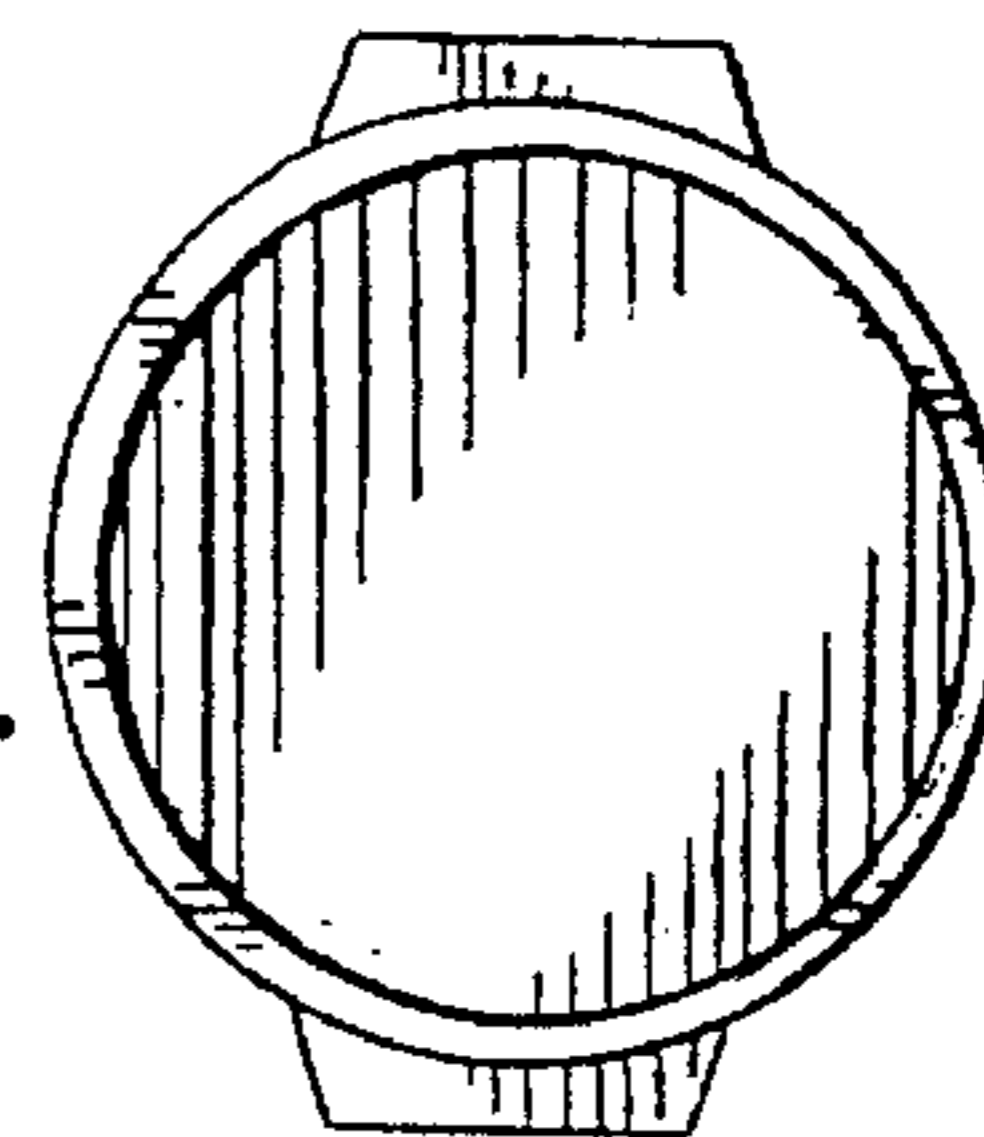


FIG. 9.

FIG. 10.



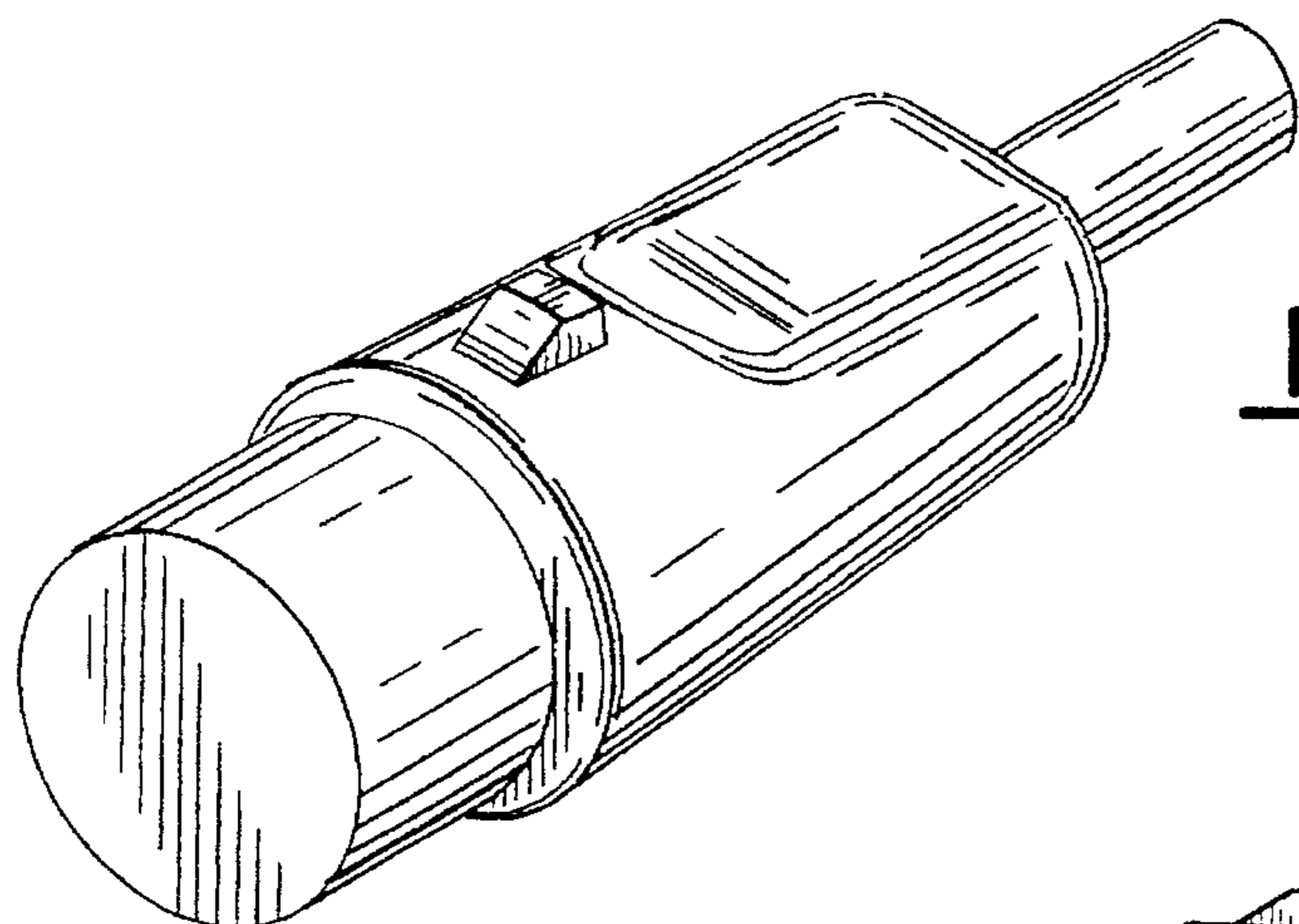


FIG. 11.

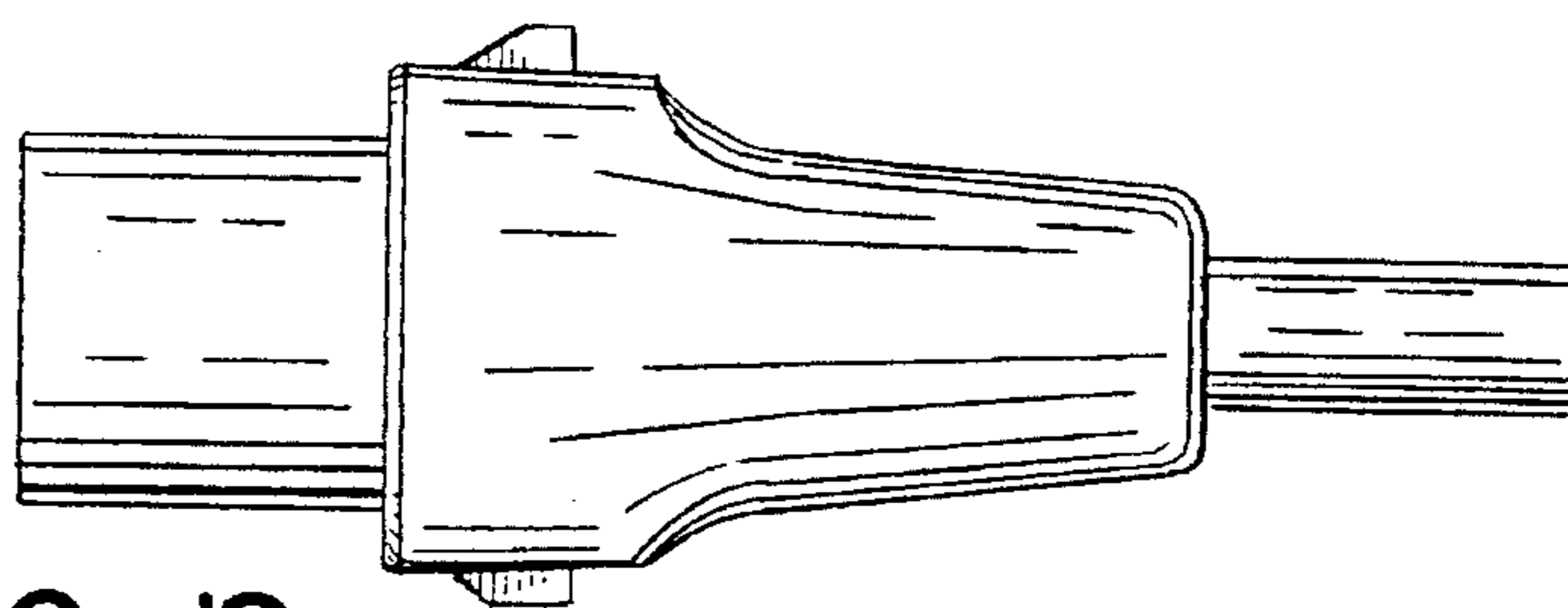


FIG. 12.

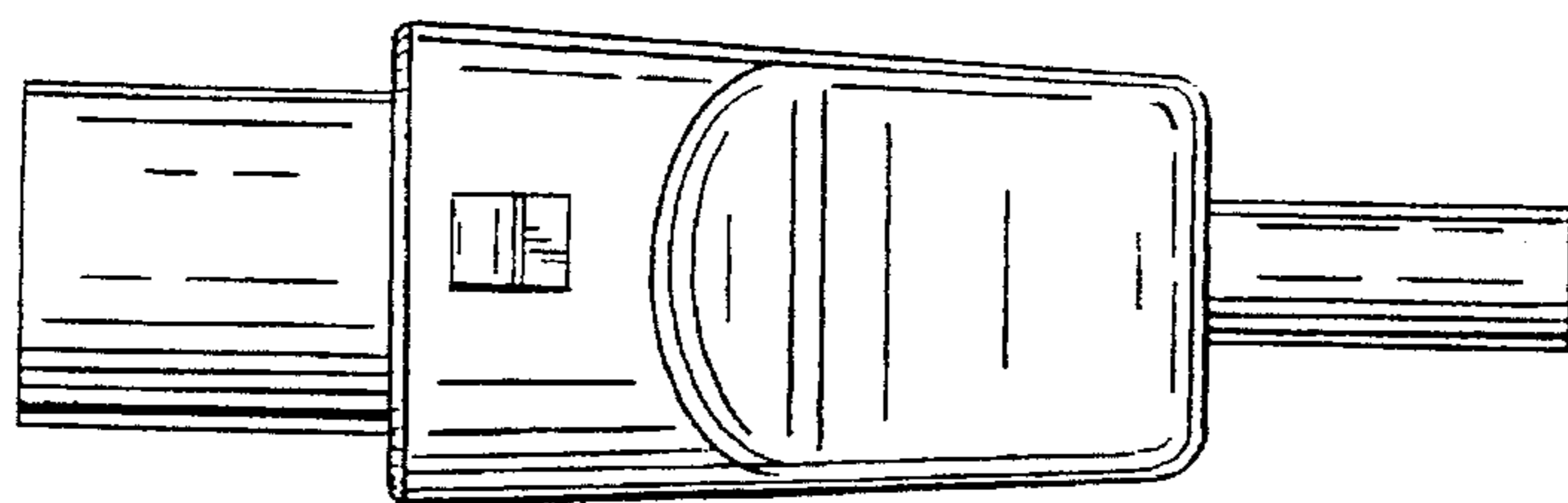


FIG. 13.

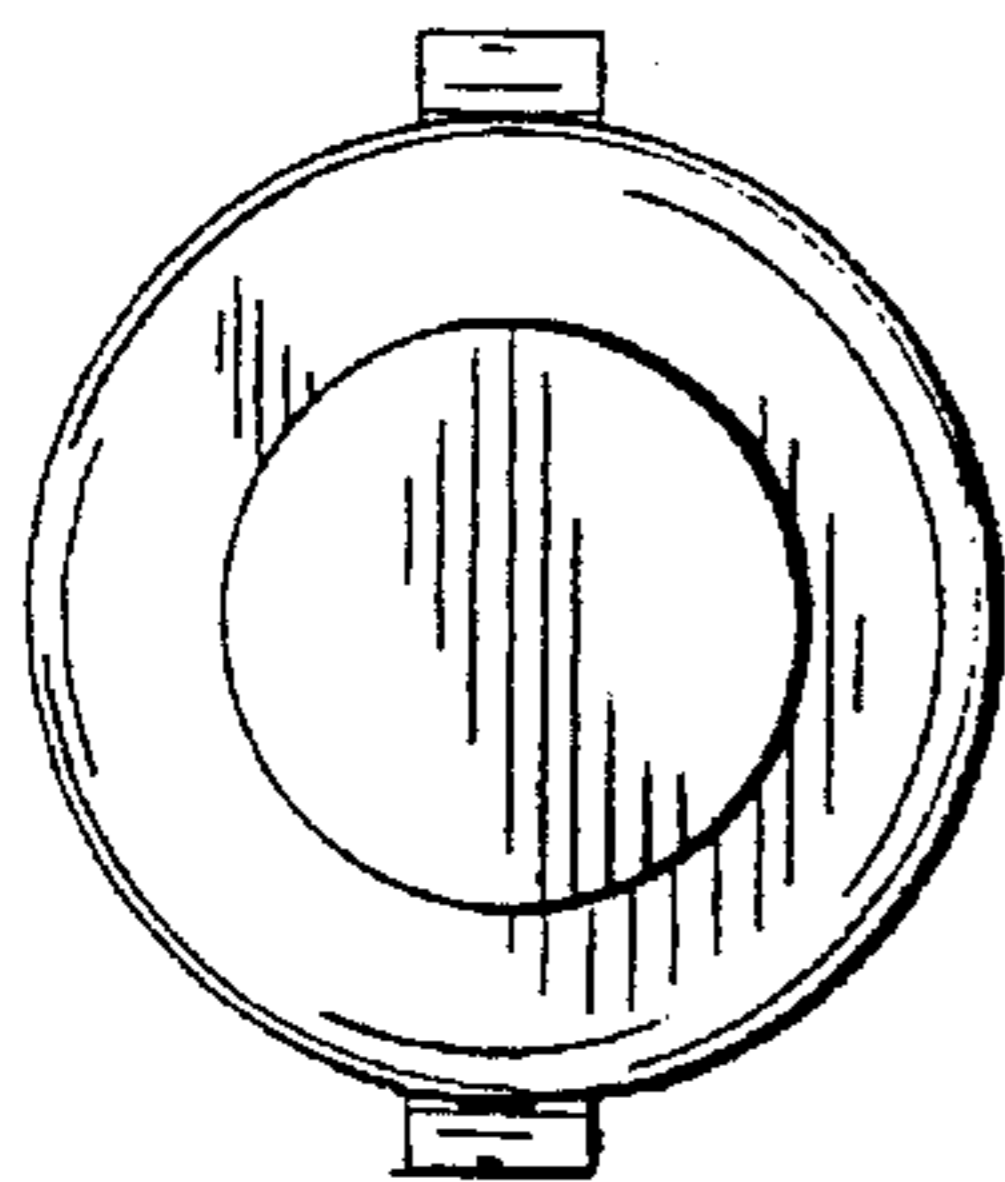


FIG. 14.

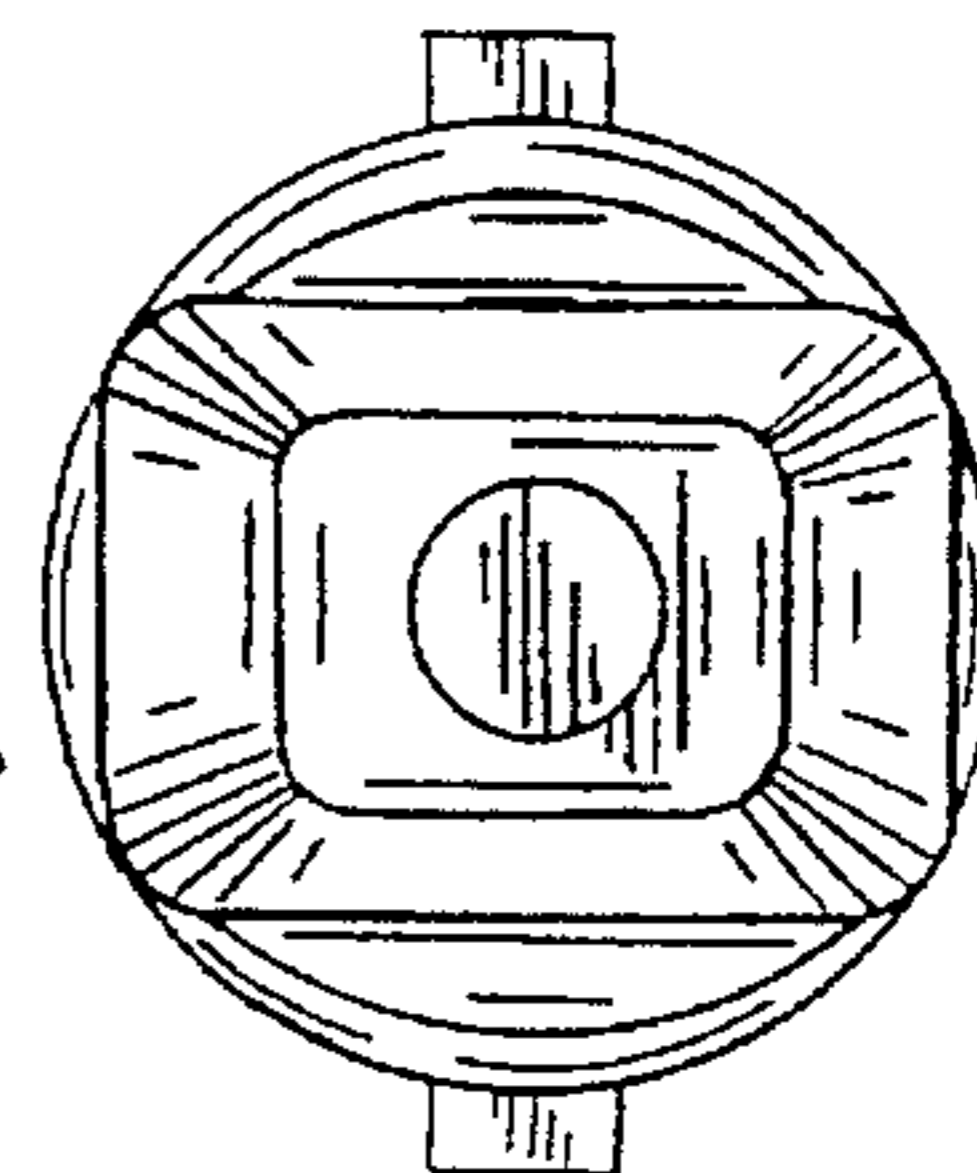


FIG. 15.