



US00D373565S

United States Patent [19]

McDougall

[11] Patent Number: **Des. 373,565**

[45] Date of Patent: ****Sep. 10, 1996**

[54] **CARRIER FOR BICYCLE**

[76] Inventor: **Samuel R. McDougall**, 518
Honeylocust, Bloomfield, N.M. 87413

[**] Term: **14 Years**

[21] Appl. No.: **26,575**

[22] Filed: **Aug. 1, 1994**

[52] U.S. Cl. **D12/408**

[58] Field of Search D12/408; 224/924,
224/497, 42.13

[56] **References Cited**

U.S. PATENT DOCUMENTS

Des. 337,087	6/1993	Peterman et al.	D12/405
3,891,132	6/1975	Chandler	224/497
4,327,849	5/1982	Sharpton	224/42.13 X
5,372,287	12/1994	Deguevara	224/924

Primary Examiner—Holly H. Baynham
Attorney, Agent, or Firm—Donald W. Erickson

[57] **CLAIM**

The ornamental design for a carrier for bicycle, as shown and described.

DESCRIPTION

FIG. 1 is a bottom plan view of my carrier for bicycle showing my new design;

FIG. 2 is a top plan view thereof;

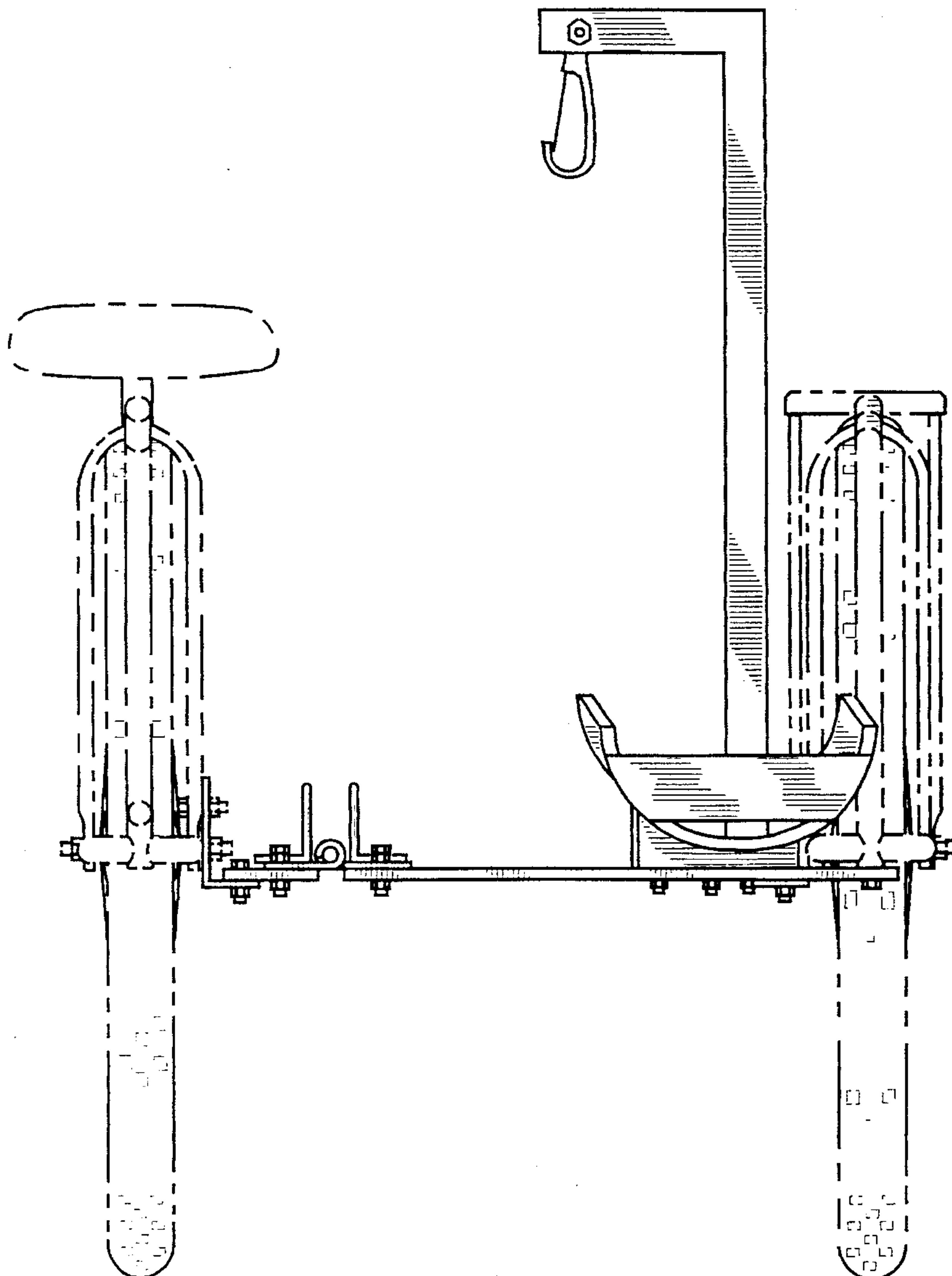
FIG. 3 is a rear elevational view thereof; and,

FIG. 4 is a front elevational view thereof.

The broken line showing of bicycle structure including the tires is for illustrative purposes only and forms no part of the claimed design.

The undisclosed left and right side views of the bicycle carrier form no part of the claimed design.

1 Claim, 4 Drawing Sheets



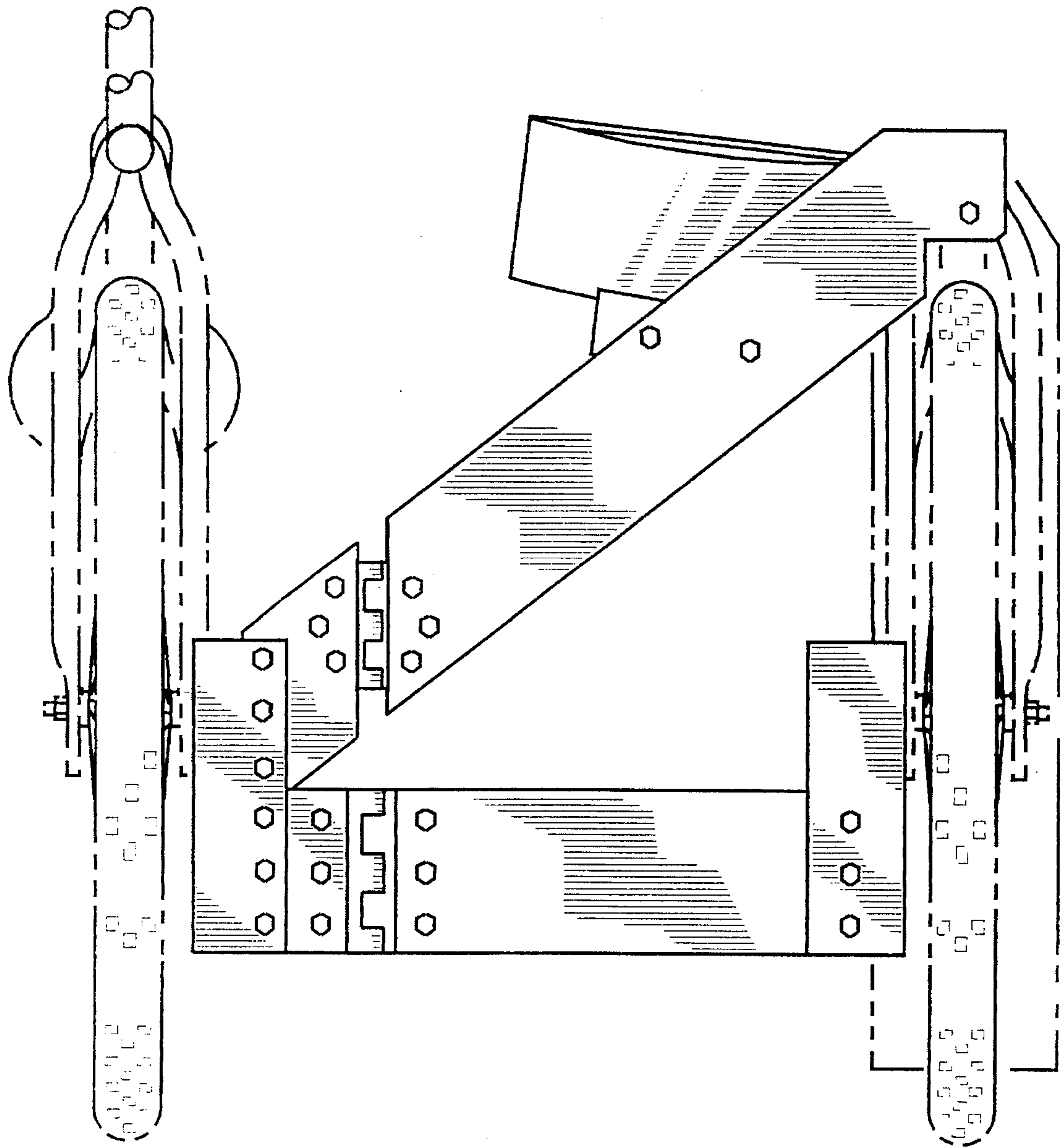


FIG. 1

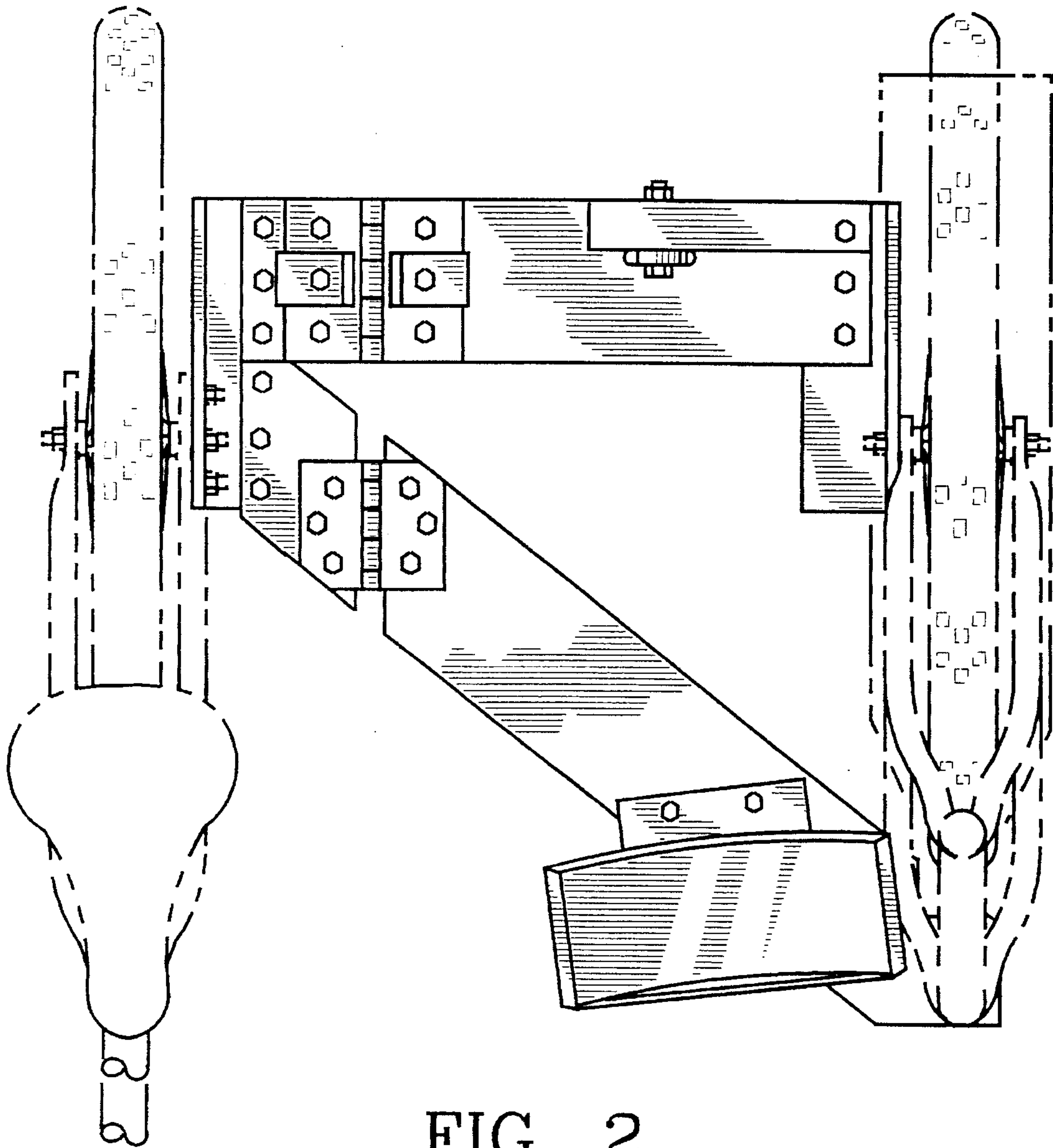


FIG. 2

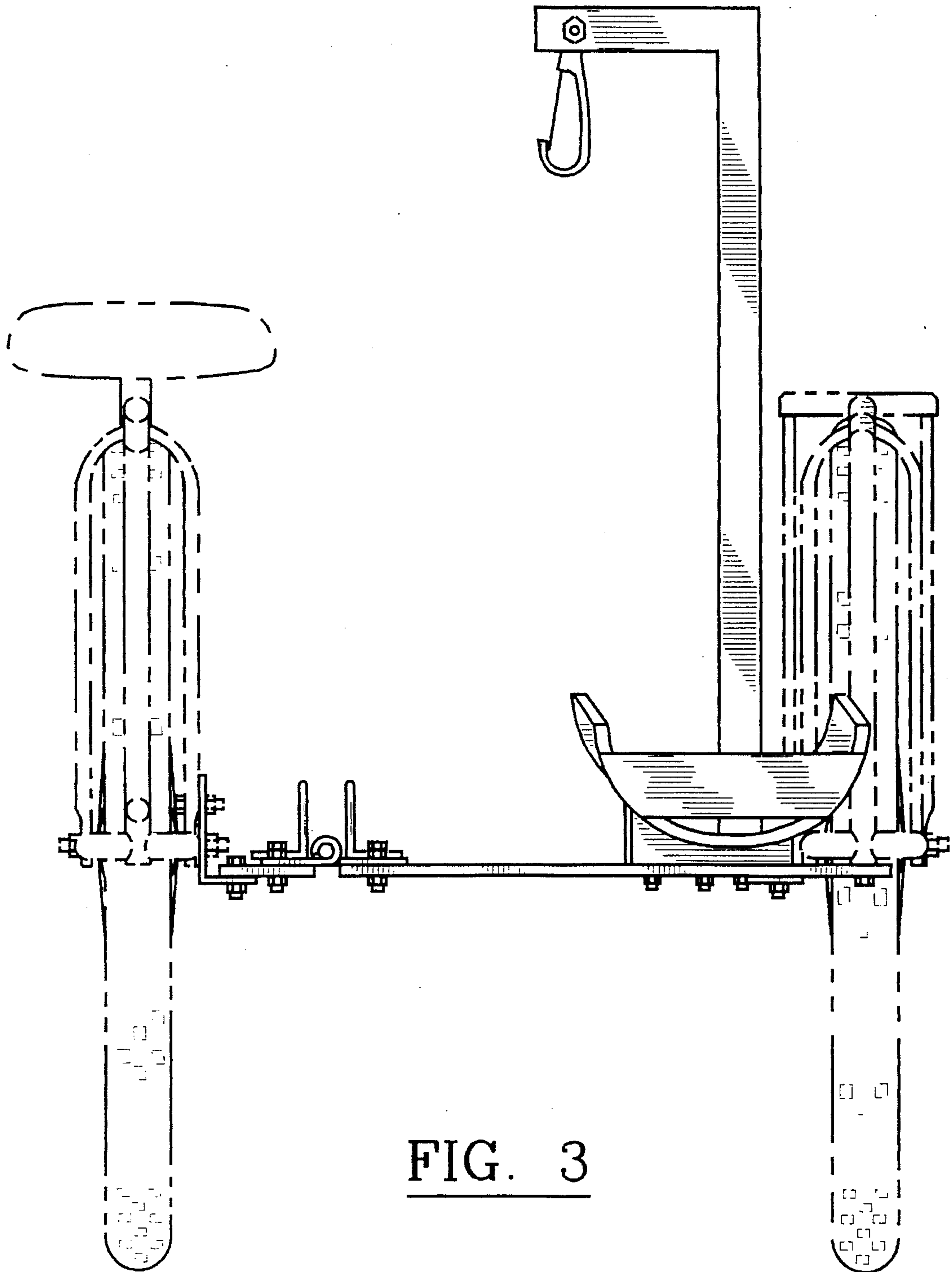


FIG. 3

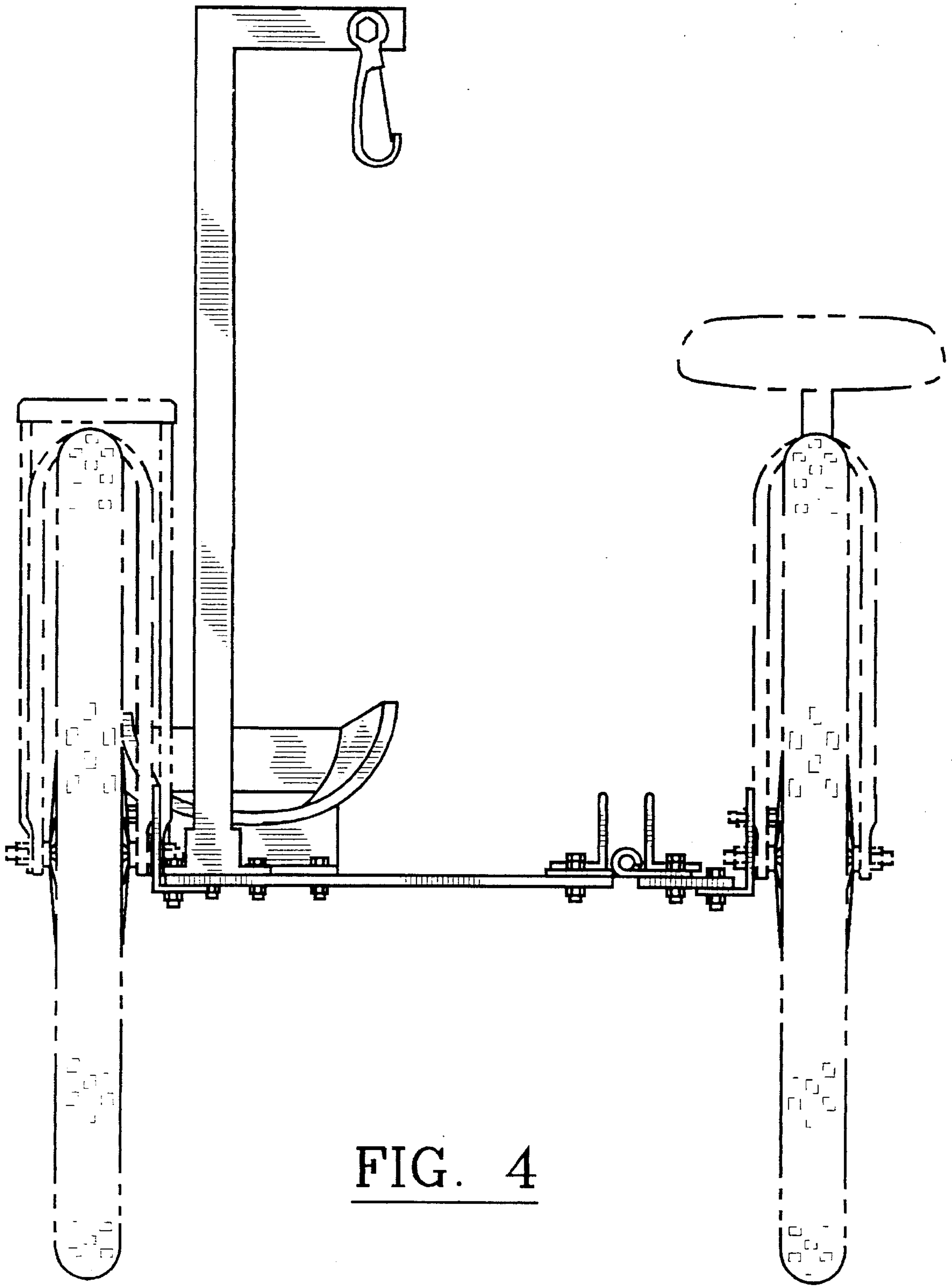


FIG. 4