



US00D373563S

# United States Patent [19]

[11] Patent Number: **Des. 373,563**

Abbott et al.

[45] Date of Patent: **\*\*Sep. 10, 1996**

[54] **EXTRUDED WIPER BACKING STRIP**

[75] Inventors: **Barry J. Abbott; Valerie M. Abbott,**  
both of Belgrave; **Stephen J. Clarke;**  
**Dino Donchi,** both of Ringwood, all of  
Australia

[73] Assignee: **Clean Screen Wipers Pty. Ltd.,**  
Victoria, Australia

[\*\*] Term: **14 Years**

[21] Appl. No.: **33,406**

[22] Filed: **Jan. 12, 1995**

[52] U.S. Cl. .... **D12/220**

[58] Field of Search ..... D12/219, 220;  
D25/119, 125; 15/236.02, 236.05, 250.001,  
250.35, 250.38, 250.41, 250.42

[56] **References Cited**

**U.S. PATENT DOCUMENTS**

Re. 29,392	9/1977	Moorhead et al. ....	15/250.42
D. 212,743	11/1968	Roberts .....	D12/220
D. 213,100	1/1969	Rickett .....	D12/220
D. 301,329	5/1989	Cavicchioli .....	D12/220
D. 304,709	11/1989	Sussich .....	D12/220
D. 324,359	3/1992	Chen .....	D12/220
3,140,501	7/1964	MacPherson .....	15/250.36
3,566,432	3/1971	Quinlan et al. ....	15/250.41
3,822,577	7/1974	Roberts .....	72/379
3,879,794	4/1975	Roberts .....	15/250.42
3,885,265	5/1975	Deibel et al. ....	15/250.42
3,911,523	10/1975	Harbison et al. ....	15/250.42
4,057,870	11/1977	Priesemuth .....	15/250.41
4,388,742	6/1983	Kimber et al. ....	15/250.42
4,543,682	10/1985	Kessler et al. ....	15/250.42
4,700,425	10/1987	Rusnak .....	15/250.41
4,715,082	12/1987	Gowans et al. ....	15/250.42
4,930,180	6/1990	Longman .....	15/250.42

4,993,103	2/1991	Takahashi et al. ....	15/250.31
5,133,104	7/1992	Maubray .....	15/250.36
5,138,739	8/1992	Maubray .....	15/250.42
5,150,498	9/1992	Chang .....	15/250.42
5,190,801	3/1993	Charet et al. ....	15/250.41
5,221,828	6/1993	Basheer et al. ....	15/250.05
5,235,720	8/1993	Kinder .....	15/250.41 X
5,327,615	7/1994	Green .....	15/250.41 X
5,349,718	9/1994	Gibbon .....	15/250.36

**FOREIGN PATENT DOCUMENTS**

33585	3/1973	Australia .	
64935	6/1981	Australia .	
38262	8/1985	Australia .	
629785	10/1992	Australia .	
0537093	4/1993	European Pat. Off. ....	15/250.42
1222775	6/1960	France .....	15/250.42
2692856	12/1993	France .....	15/250.42
2330051	3/1974	Germany .....	15/250.42
59-34964	2/1984	Japan .....	15/250.36
0190850	4/1989	Japan .....	15/250.35
9311979	6/1993	WIPO .....	15/250.42

*Primary Examiner*—James M. Gandy  
*Assistant Examiner*—Stacia Sinuik  
*Attorney, Agent, or Firm*—Baker & Daniels

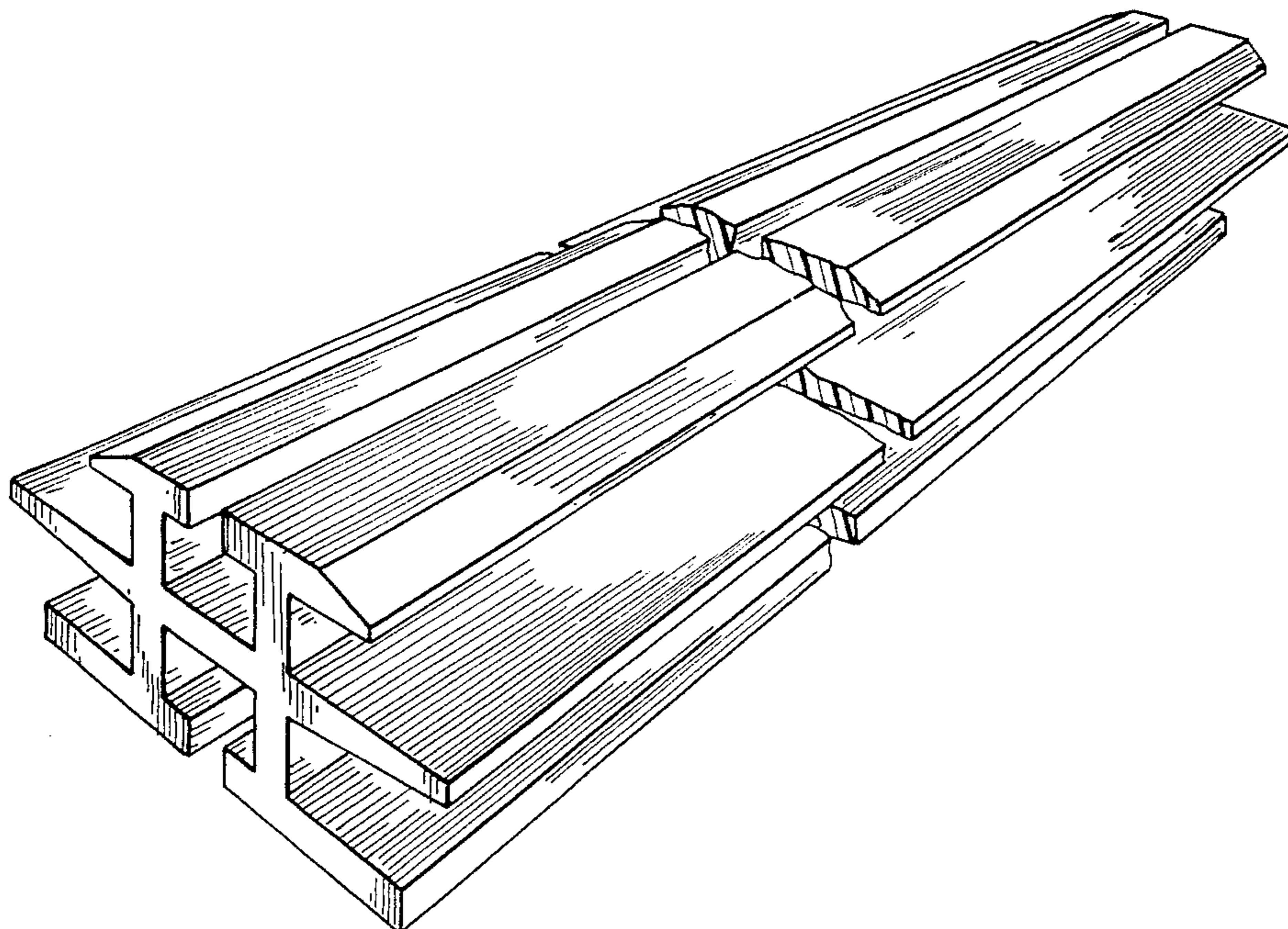
[57] **CLAIM**

The ornamental design for an extruded wiper backing strip, as shown and described.

**DESCRIPTION**

FIG. 1 is a perspective view of an extruded wiper backing strip showing our new design, the strip is shown broken away in the middle to indicate indeterminate length; and, FIG. 2 is a front elevational view on enlarged scale of the extruded wiper backing strip shown in FIG. 1, the rear view being identical to the front view.

**1 Claim, 2 Drawing Sheets**





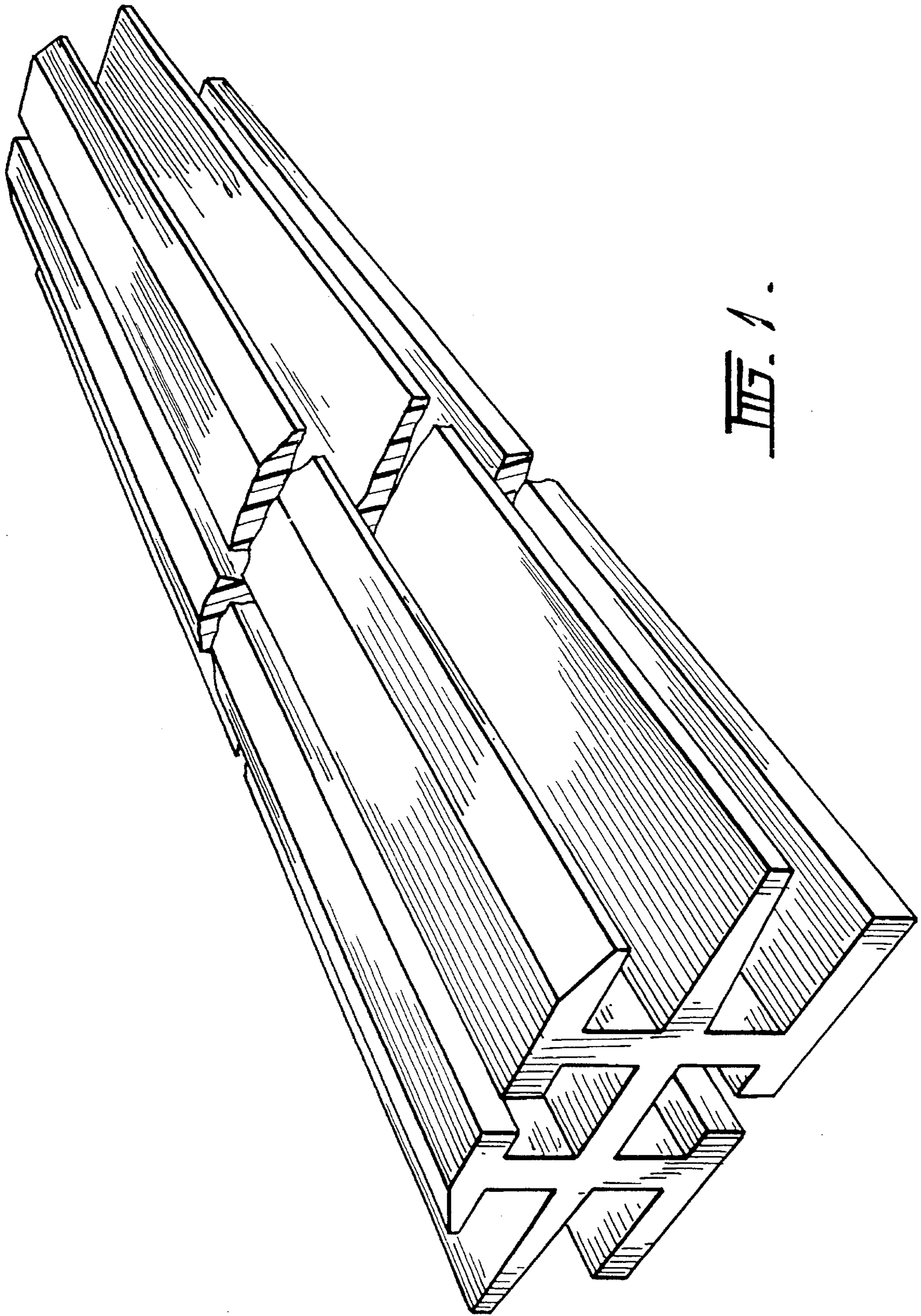
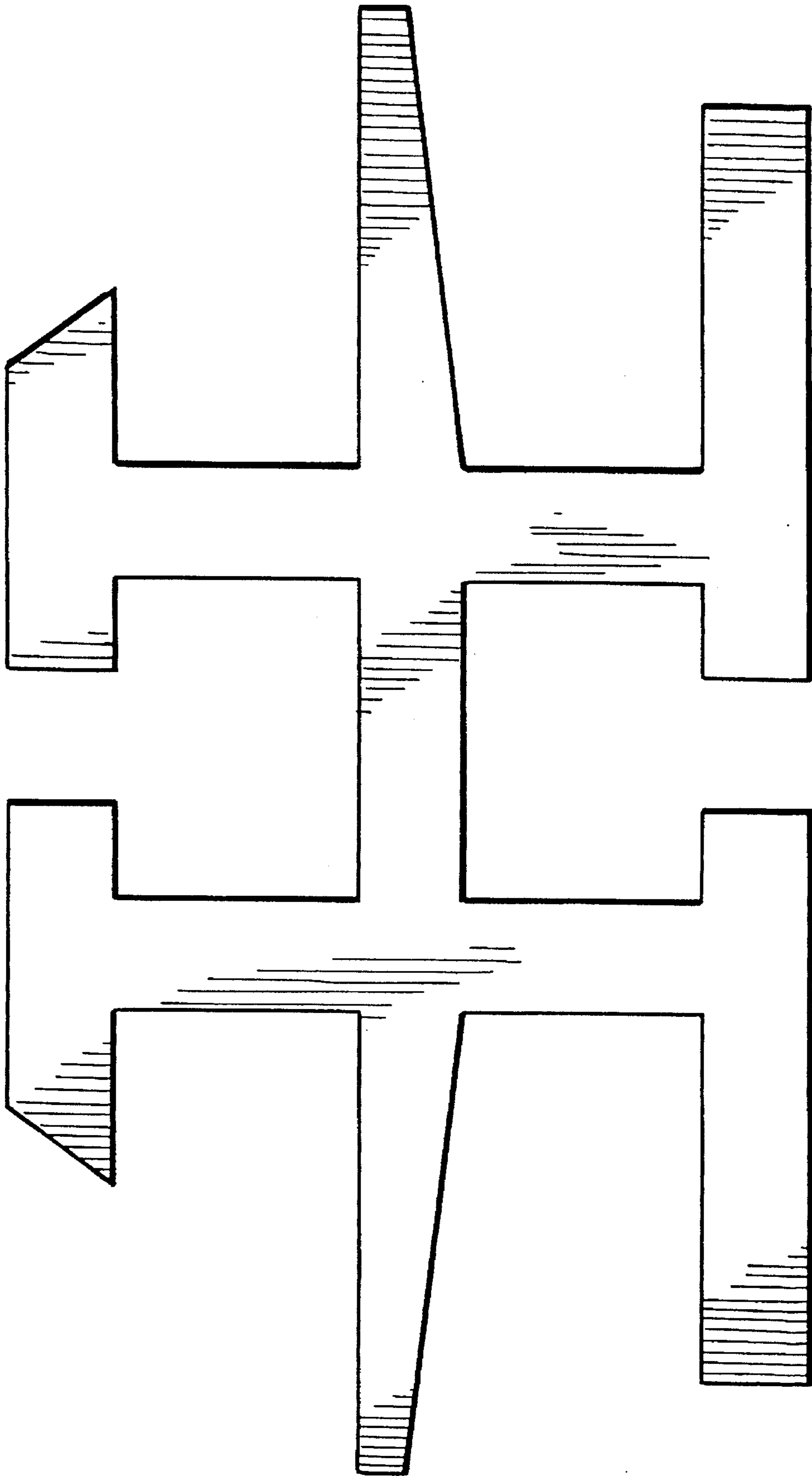


FIG. 1.



*III. 2.*