



US00D373555S

United States Patent [19]

Ward et al.

[11] Patent Number: Des. 373,555

[45] Date of Patent: **Sep. 10, 1996

[54] BRACE FOR A WALKER	5,224,717	7/1993	Lowen	280/1.5
	5,433,235	7/1995	Miric et al.	135/67

[75] Inventors: **Evan T. Ward**, Ann Arbor, Mich.;
Shivaprasad Dhanapal, Statesville, N.C.

[73] Assignee: **Rubbermaid Health Care Products Inc.**, Statesville, N.C.

[**] Term: **14 Years**

[21] Appl. No.: **46,465**

[22] Filed: **Nov. 15, 1995**

[52] U.S. Cl. **D12/133; D12/130**

[58] Field of Search D12/133, 130,
D12/128; 135/66, 67, 72, 74; 297/6; 280/47.3,
755, 87.051

[56] References Cited

U.S. PATENT DOCUMENTS

D. 246,036	10/1977	Thomas	D12/130
D. 246,302	11/1977	Thomas	D12/130
D. 268,017	2/1983	Thomas	D12/130
D. 268,404	3/1983	Thomas	D12/130
D. 295,155	4/1988	Erfurth	D12/130
D. 312,061	11/1990	Smith	D12/130
D. 329,833	9/1992	Andersson et al.	D12/130
D. 344,917	3/1994	Kjell et al.	D12/130
D. 361,050	8/1995	Macmillan	D12/130
1,448,783	3/1923	Blewitt et al.	
3,625,237	12/1971	Wertz	135/45 A
4,251,105	2/1981	Barker	297/6
4,616,668	10/1986	Battiston	135/75
4,619,282	10/1986	Battiston	135/67
4,640,301	2/1987	Battiston, Sr. et al.	135/67
4,748,994	6/1988	Schultz et al.	135/67
4,800,910	1/1989	Gamm	135/67
4,907,839	3/1990	Rose et al.	297/6
5,020,560	6/1991	Turbeville	135/67

OTHER PUBLICATIONS

Carex® Health Care Products advertisement, Catalog 9 (1992), 6 pages.
 Carex® Health Care Products advertisement, Catalog 10 (1994/95), 14 pages.
 Lumex Patient Care Products advertisement (1993), 10 pages.
 Tenco Health Care advertisement (1991), 7 pages.
 Ivacare advertisement (1994), 5 pages.
 Guardian advertisement (1995), 4 pages.
 PCP-Champion® advertisement "Ambulatory Aids Catalog", 6 pages (undated).

Primary Examiner—Kay H. Chin
Attorney, Agent, or Firm—Renner, Kenner, Greive, Bobak, Taylor & Weber

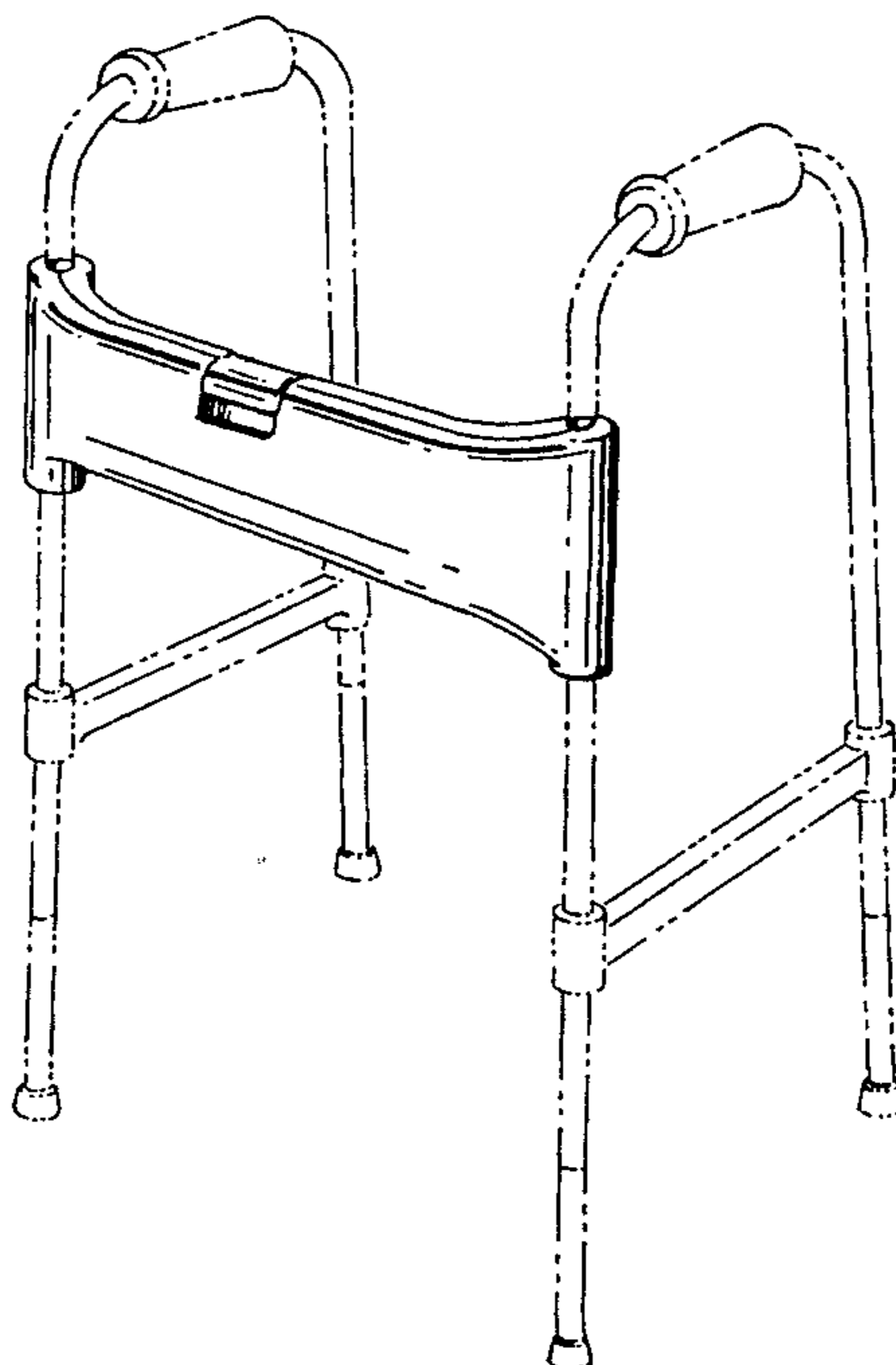
[57] CLAIM

The ornamental design for a brace for a walker, as shown and described.

DESCRIPTION

FIG. 1 is a perspective view of a brace for a walker embodying our new design;
 FIG. 2 is a top plan view thereof;
 FIG. 3 is a bottom plan view thereof;
 FIG. 4 is a front elevational view thereof;
 FIG. 5 is a rear elevational view thereof; and,
 FIG. 6 is a left side elevational view thereof, the right side being a mirror image of FIG. 6.
 The broken lines are showing the walker are for illustrative purposes only to show the position of the brace on the walker and form no part of the claimed design.

1 Claim, 3 Drawing Sheets



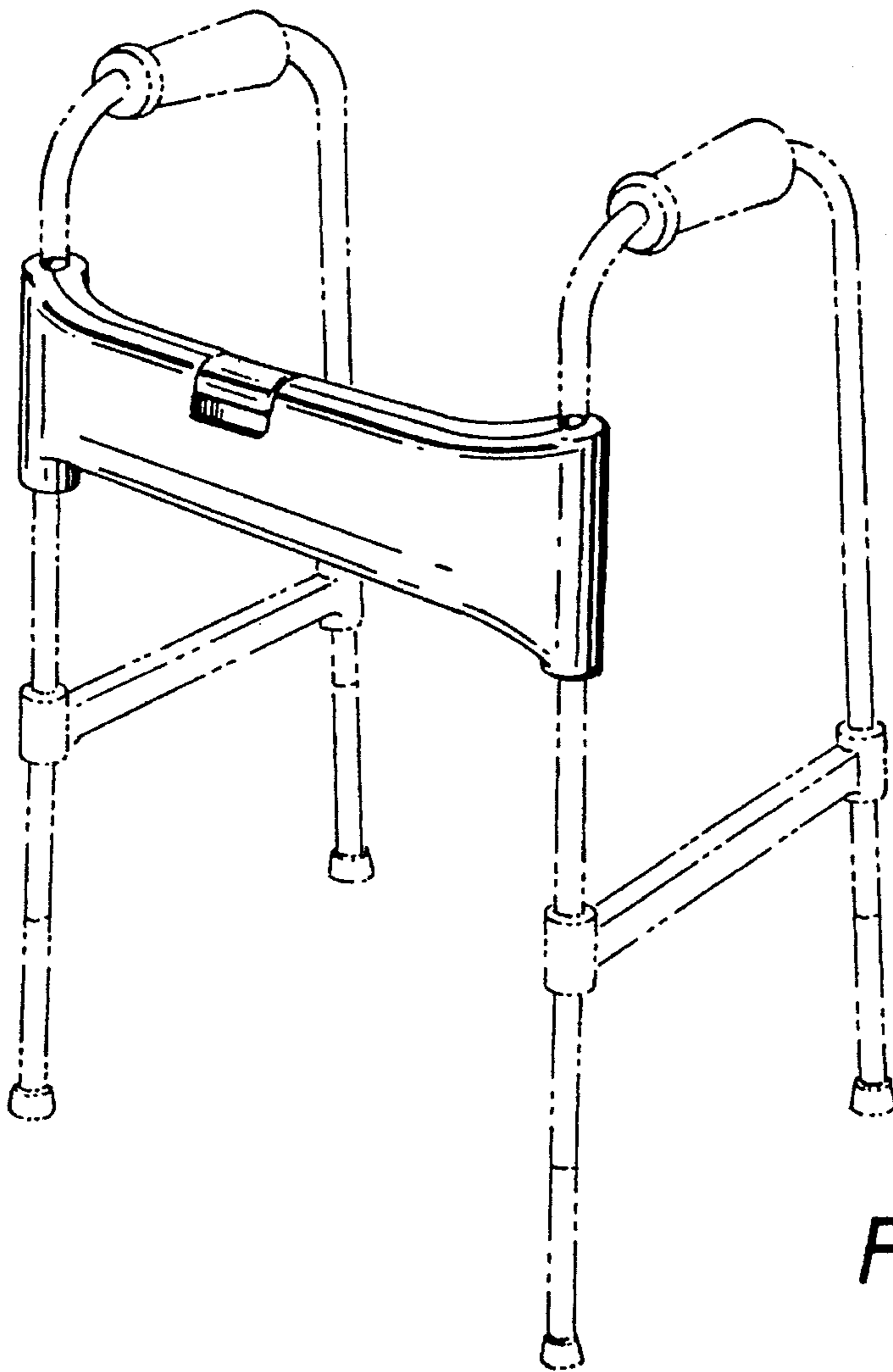


FIG. 1

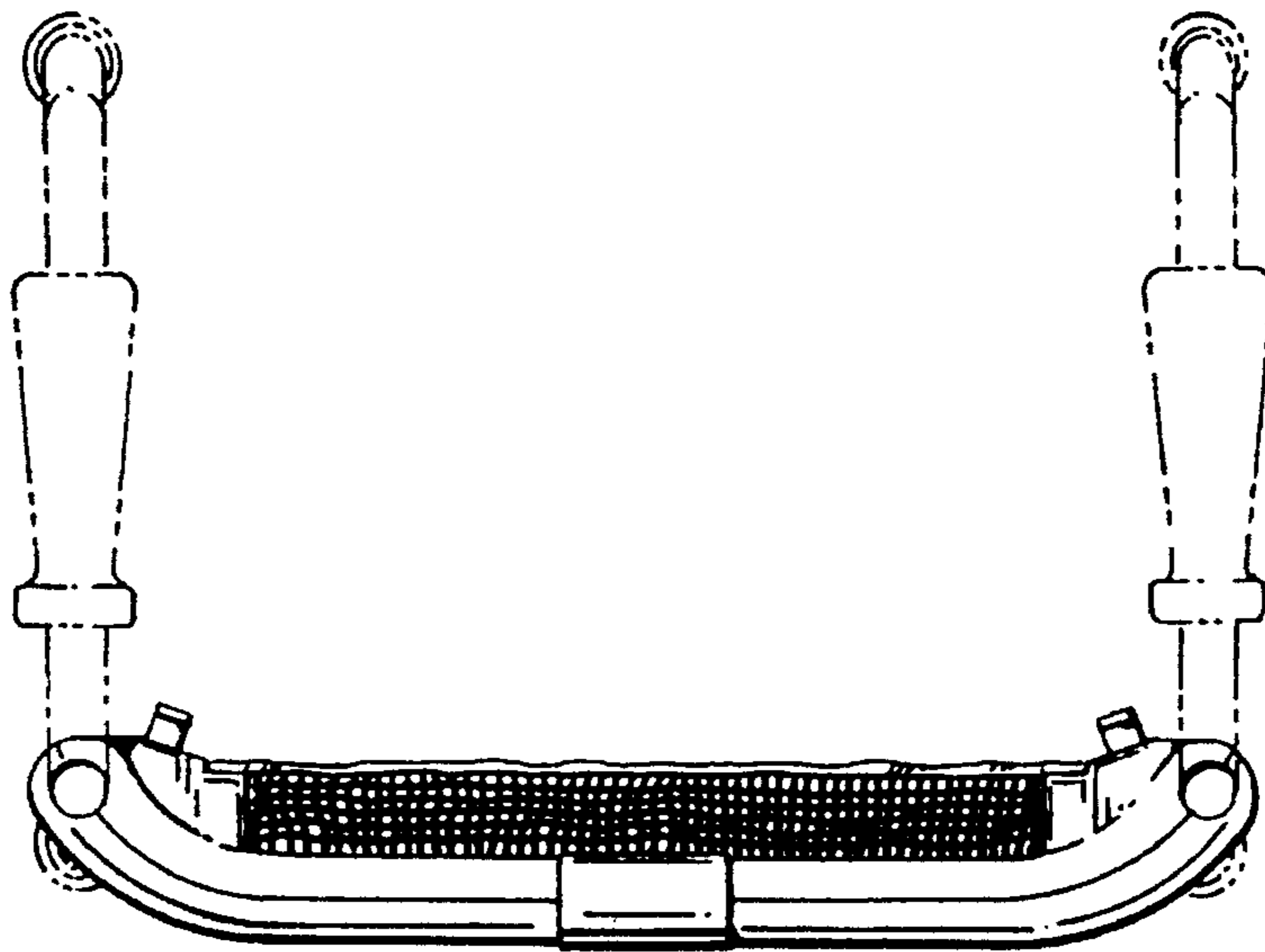


FIG. 2

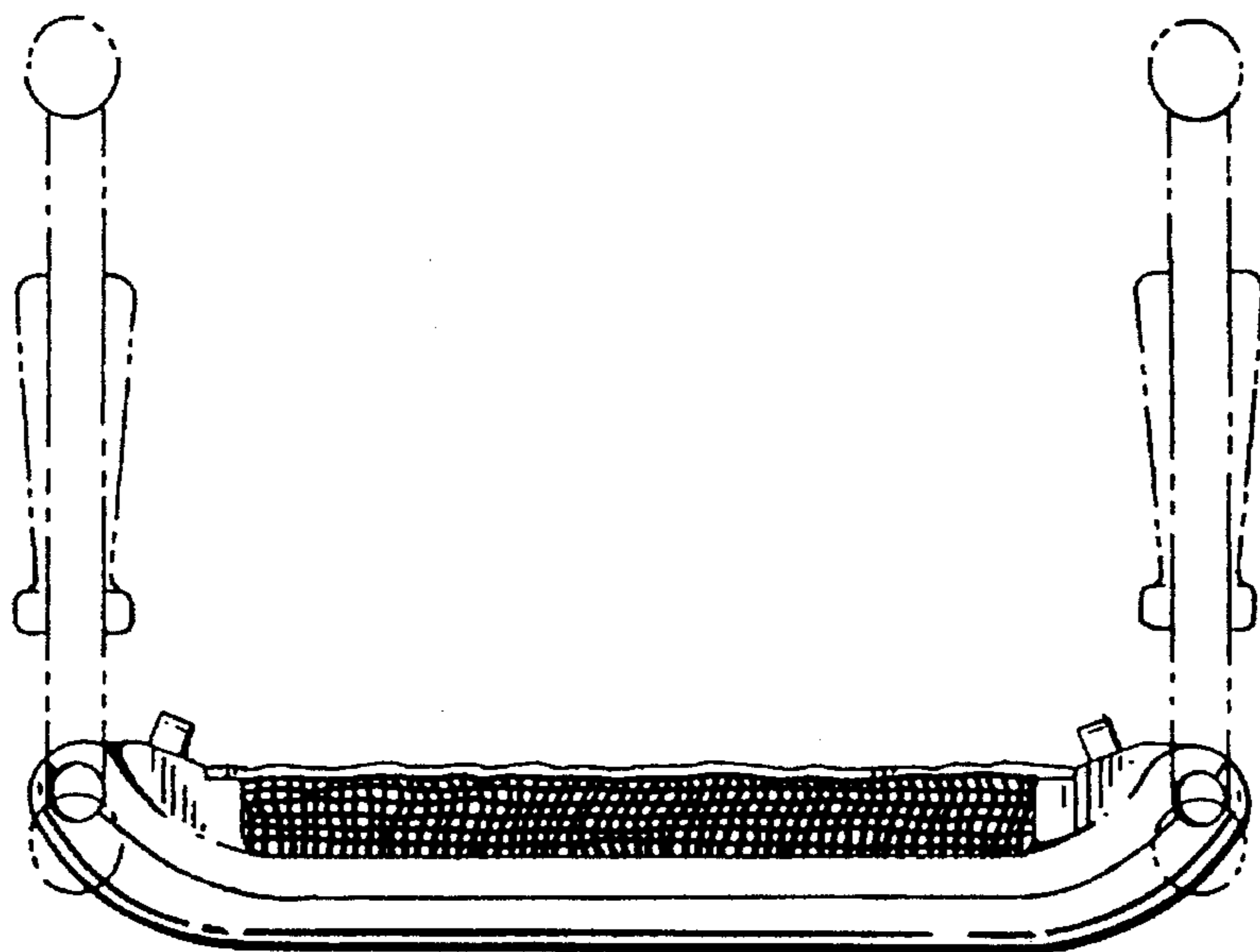


FIG. 3

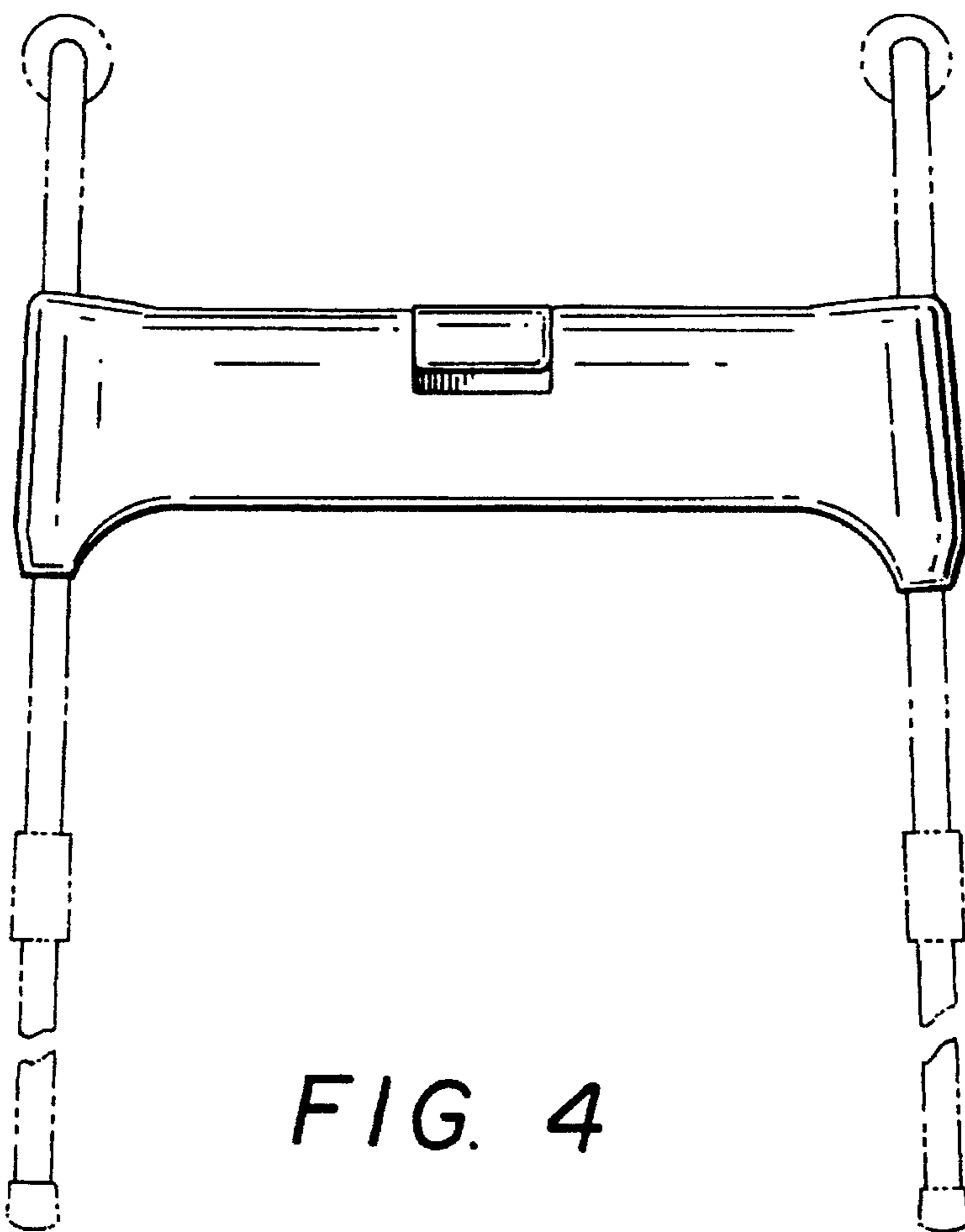


FIG. 4

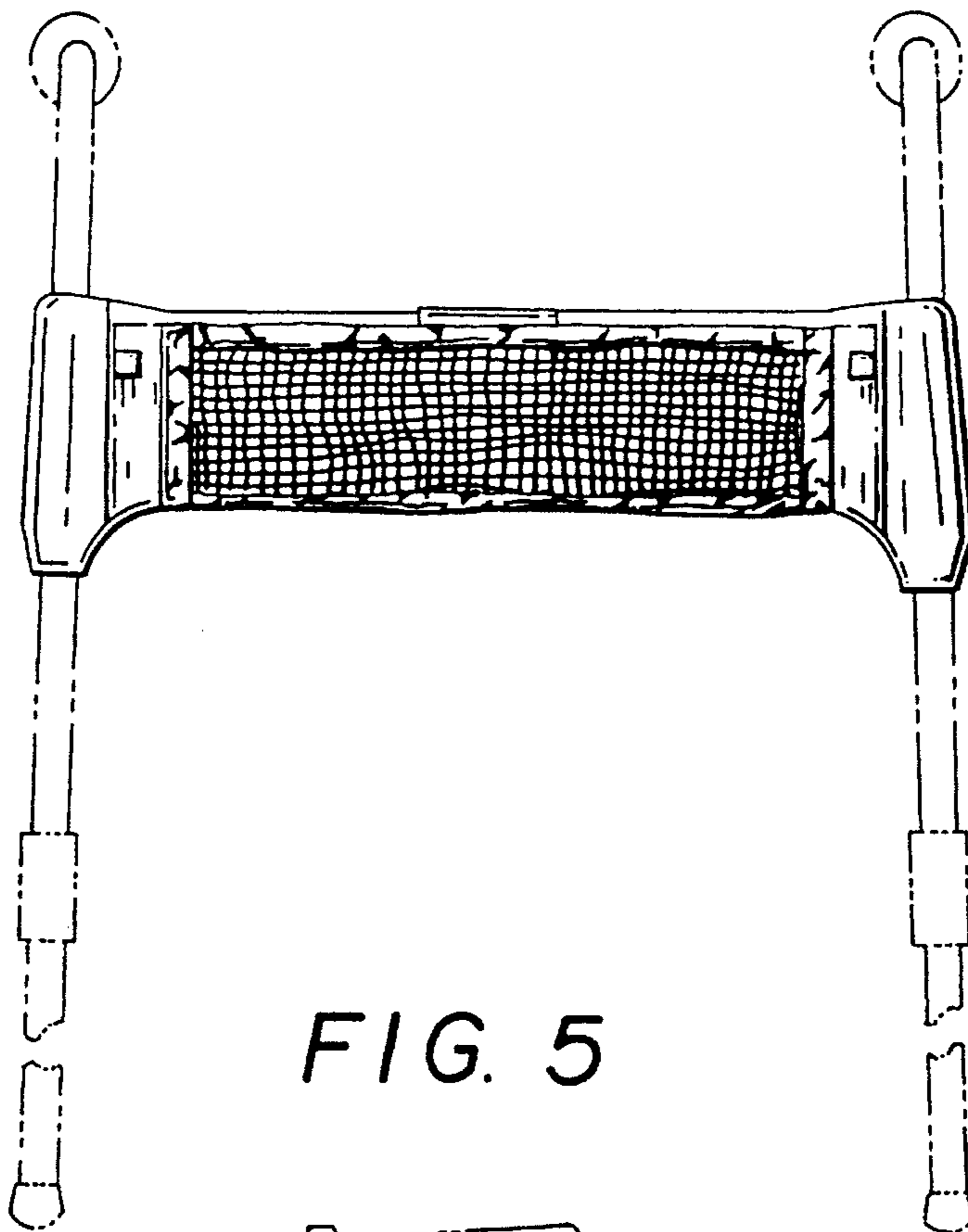


FIG. 5

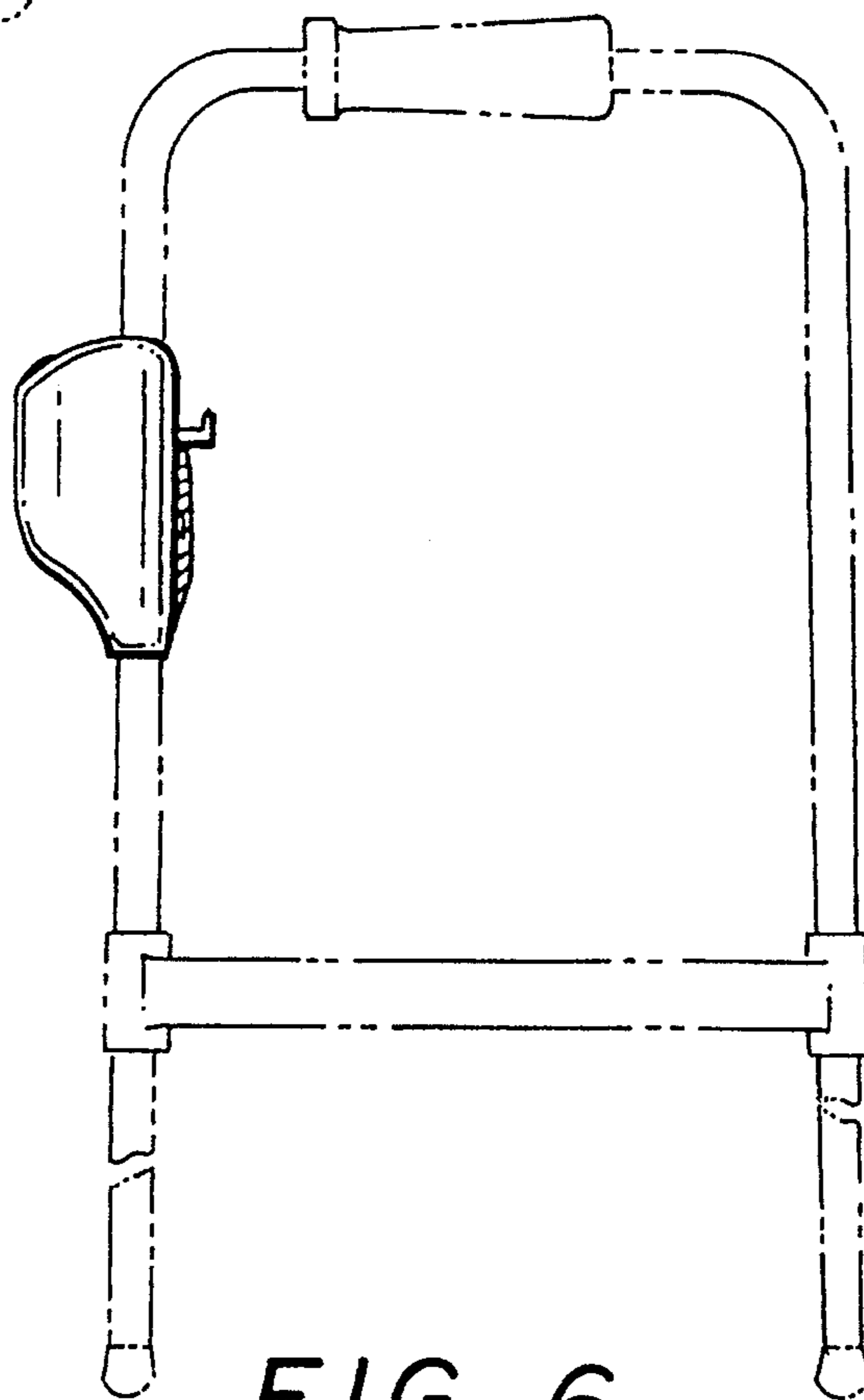


FIG. 6