



US00D373546S

# United States Patent [19]

Imahori

[11] Patent Number: Des. 373,546

[45] Date of Patent: \*\*Sep. 10, 1996

[54] AUDIBLE SIGNAL FOR ALARM UNITS

[75] Inventor: Yoshio Imahori, Shizuoka, Japan

[73] Assignee: Star Micronics Co., Ltd.,  
Shizuoka-ken, Japan

[\*\*] Term: 14 Years

[21] Appl. No.: 35,990

[22] Filed: Mar. 10, 1995

### [30] Foreign Application Priority Data

Sep. 24, 1994 [JP] Japan ..... 6-28828

[52] U.S. Cl. .... D10/116

[58] Field of Search ..... D10/104, 106,  
D10/116, 120, 121; D13/152, 156; 340/384.1,  
384.3, 384.7, 392.1, 388.1, 390.1, 391.1,  
392.1, 392.2, 407.1; 361/392, 395; 116/148,  
149, 151

### [56] References Cited

#### U.S. PATENT DOCUMENTS

D. 297,316 8/1988 Mastro ..... D10/116

D. 297,519	9/1988	Shimoya .....	D10/116
D. 304,163	10/1989	Aizawa et al. ....	D10/116
D. 350,705	9/1994	Sone .....	D10/116
2,290,717	7/1942	Swanson .....	340/392.1
4,115,770	9/1978	Kanazawa .....	340/392.1

Primary Examiner—Marcus A. Jackson  
Attorney, Agent, or Firm—Pollock, Vande Sande & Priddy

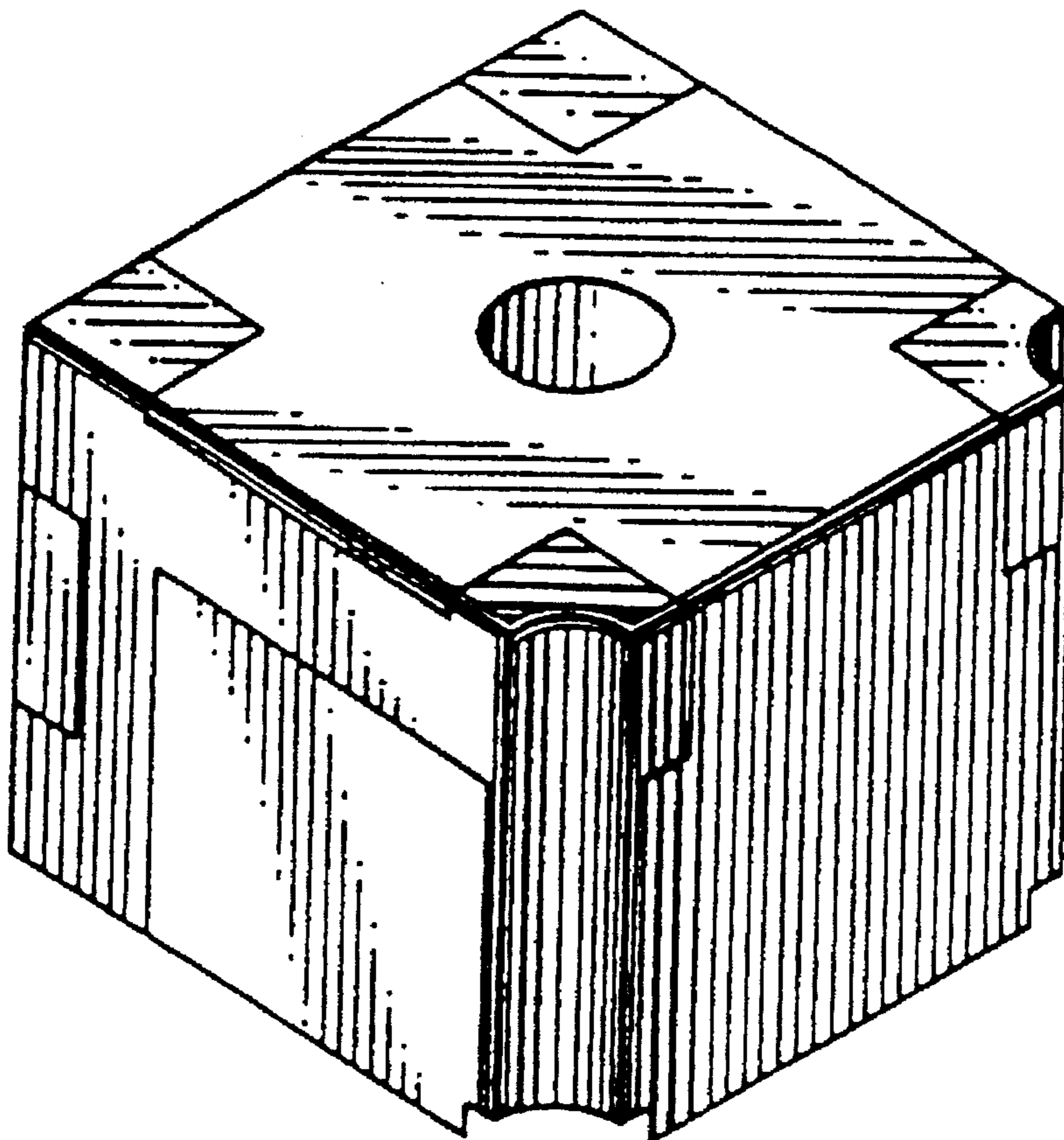
### [57] CLAIM

The ornamental design for an audible signal for alarm units, as shown and described.

### DESCRIPTION

FIG. 1 is a perspective view of an audible signal for alarm units showing my new design;  
FIG. 2 is a front elevational view thereof;  
FIG. 3 is a rear elevational view thereof;  
FIG. 4 is a top plan view thereof;  
FIG. 5 is a bottom plan view thereof;  
FIG. 6 is a left side elevational view thereof (of which a right side elevational view would be a mirror image); and,  
FIG. 7 is a cross-sectional view thereof taken on line 7—7 of FIG. 2, an internal mechanism of which is not shown.

1 Claim, 5 Drawing Sheets



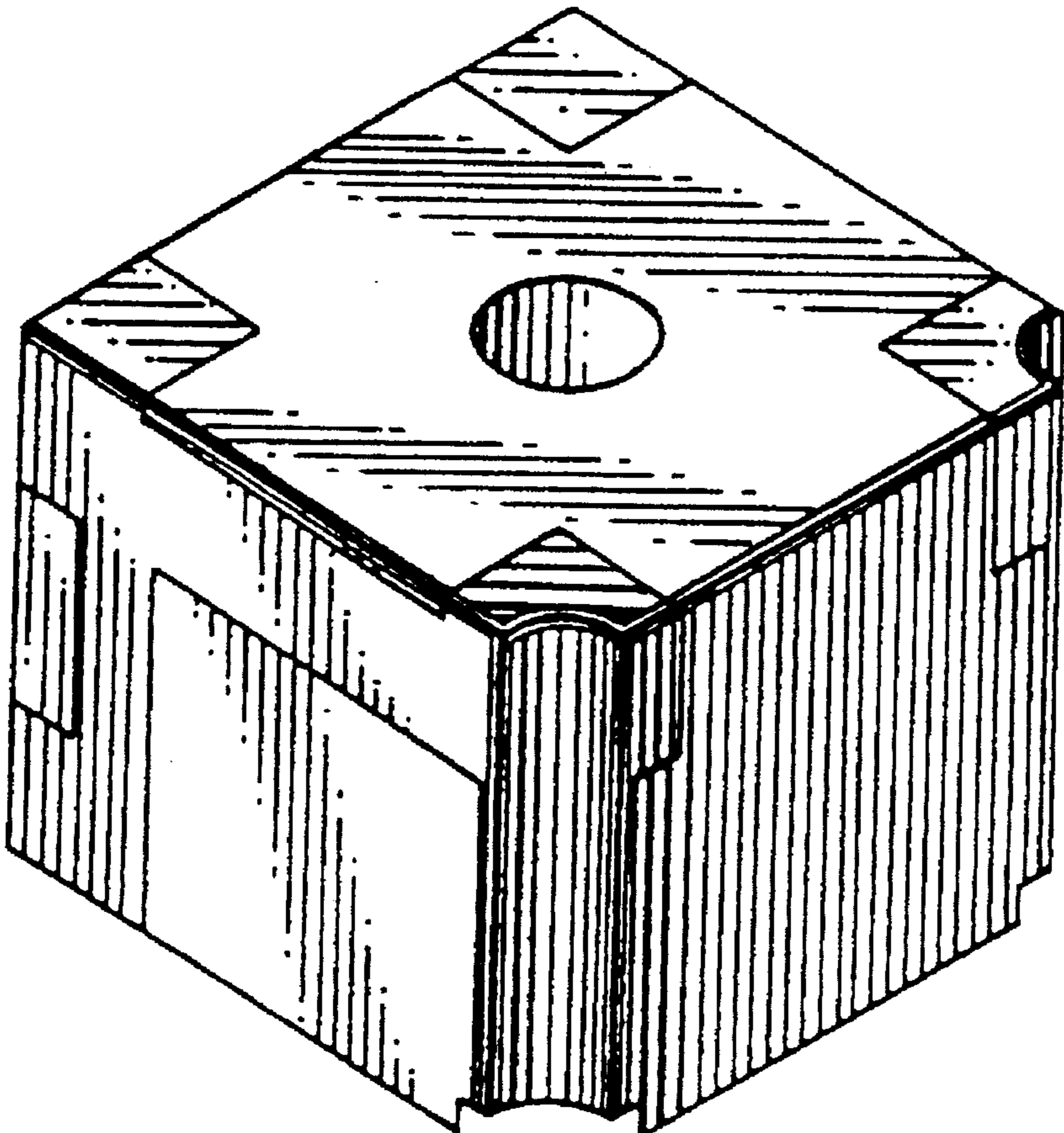


FIG. 1

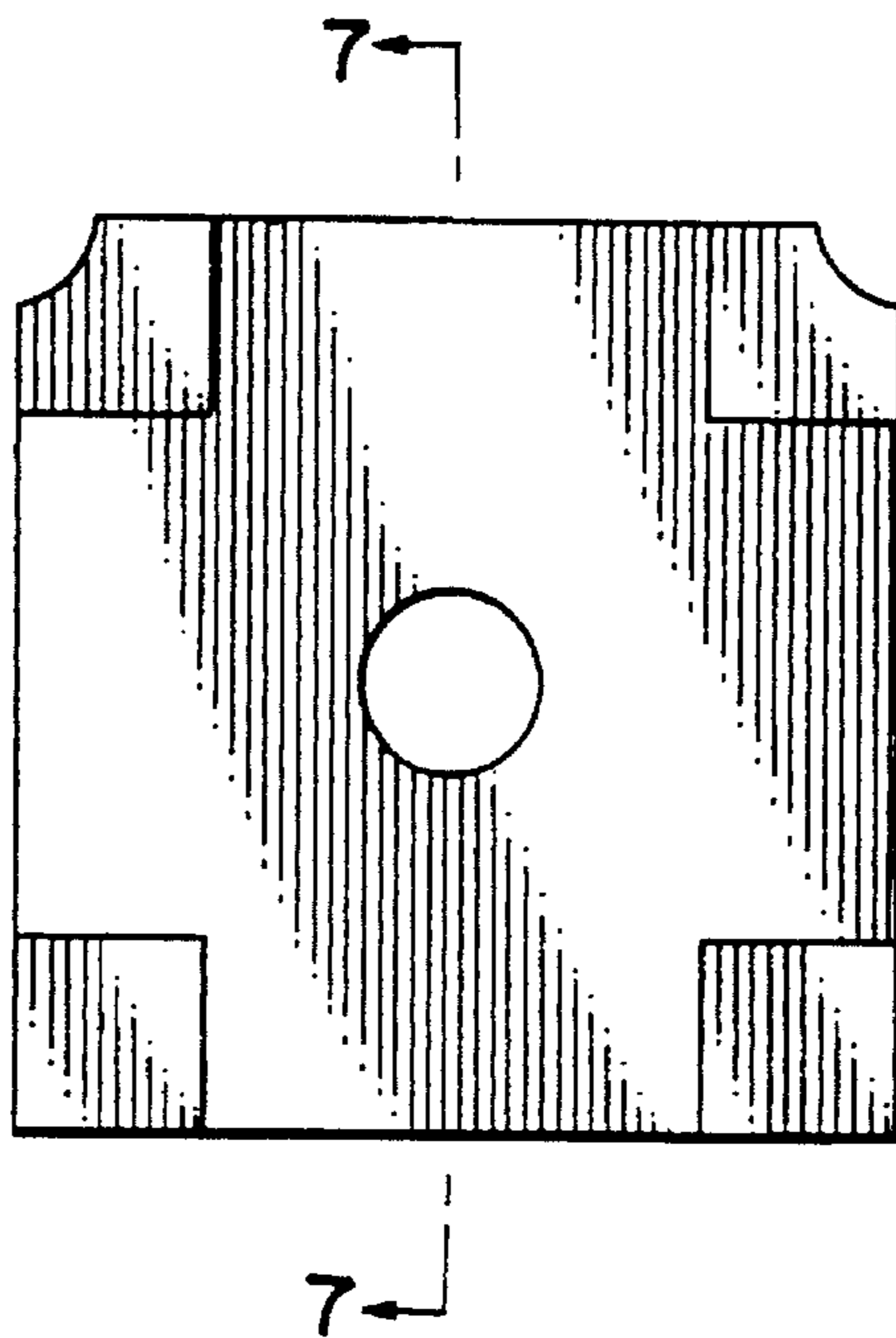


FIG. 2

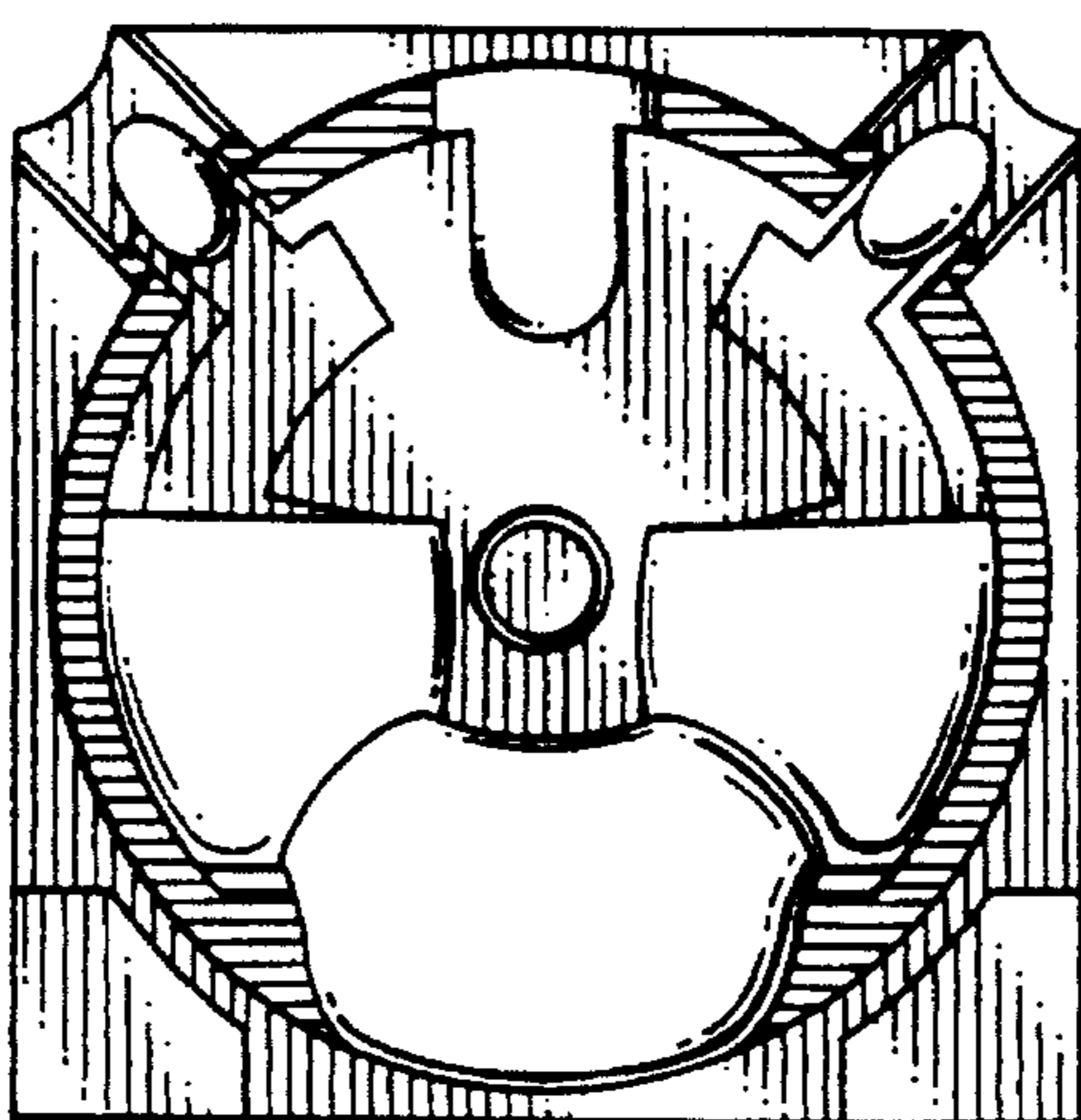


FIG. 3

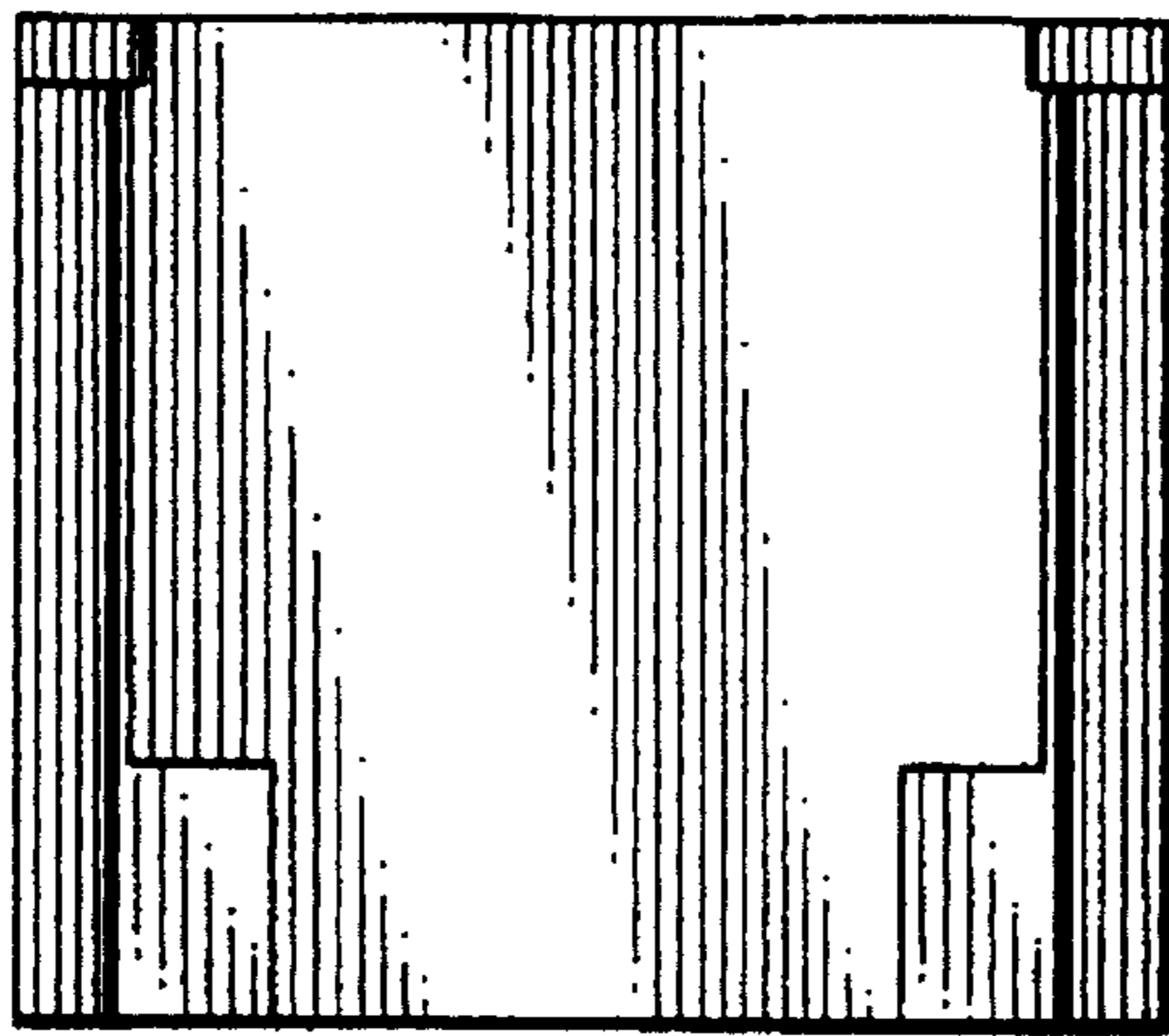


FIG. 4

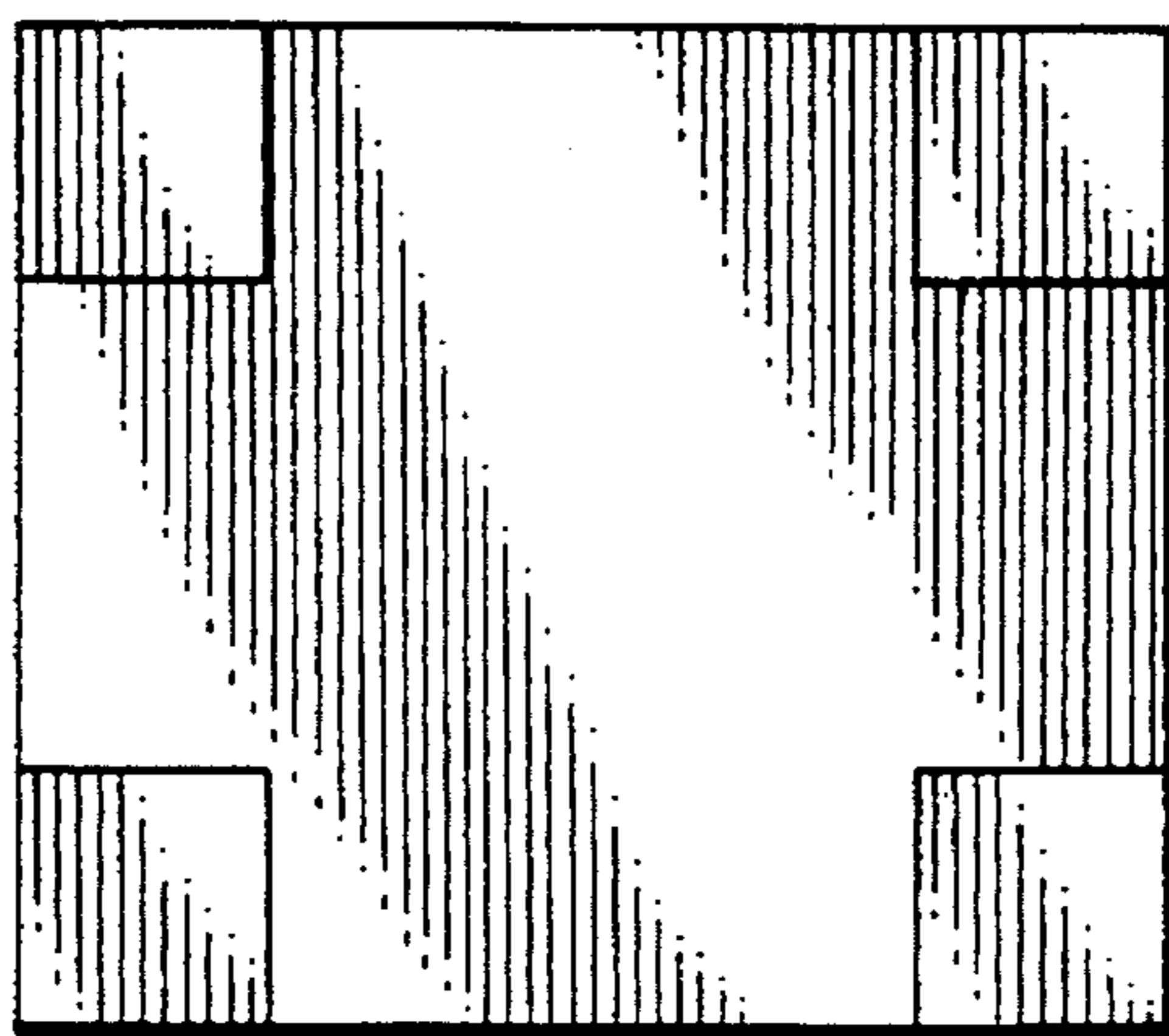
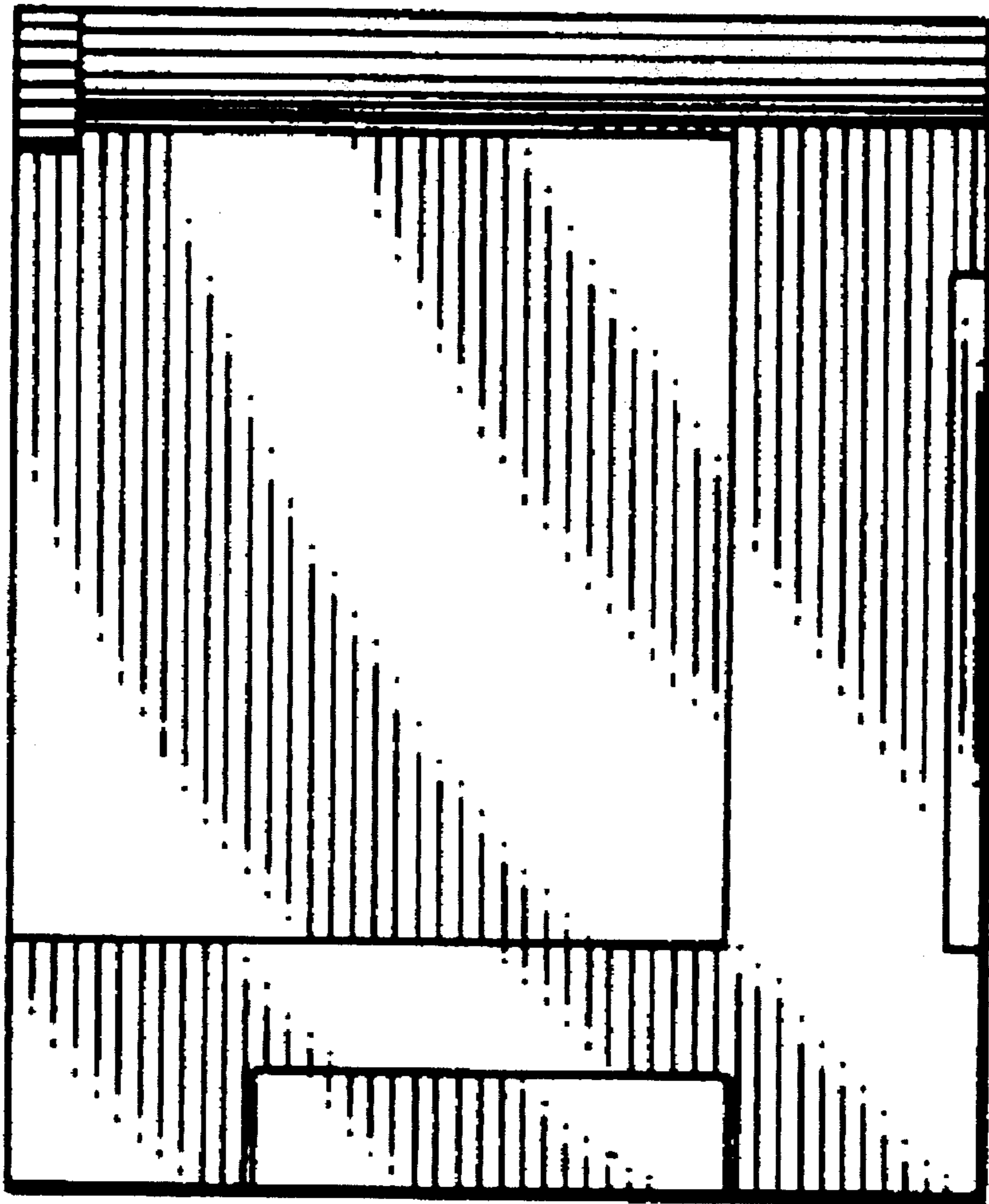


FIG. 5



**FIG. 6**

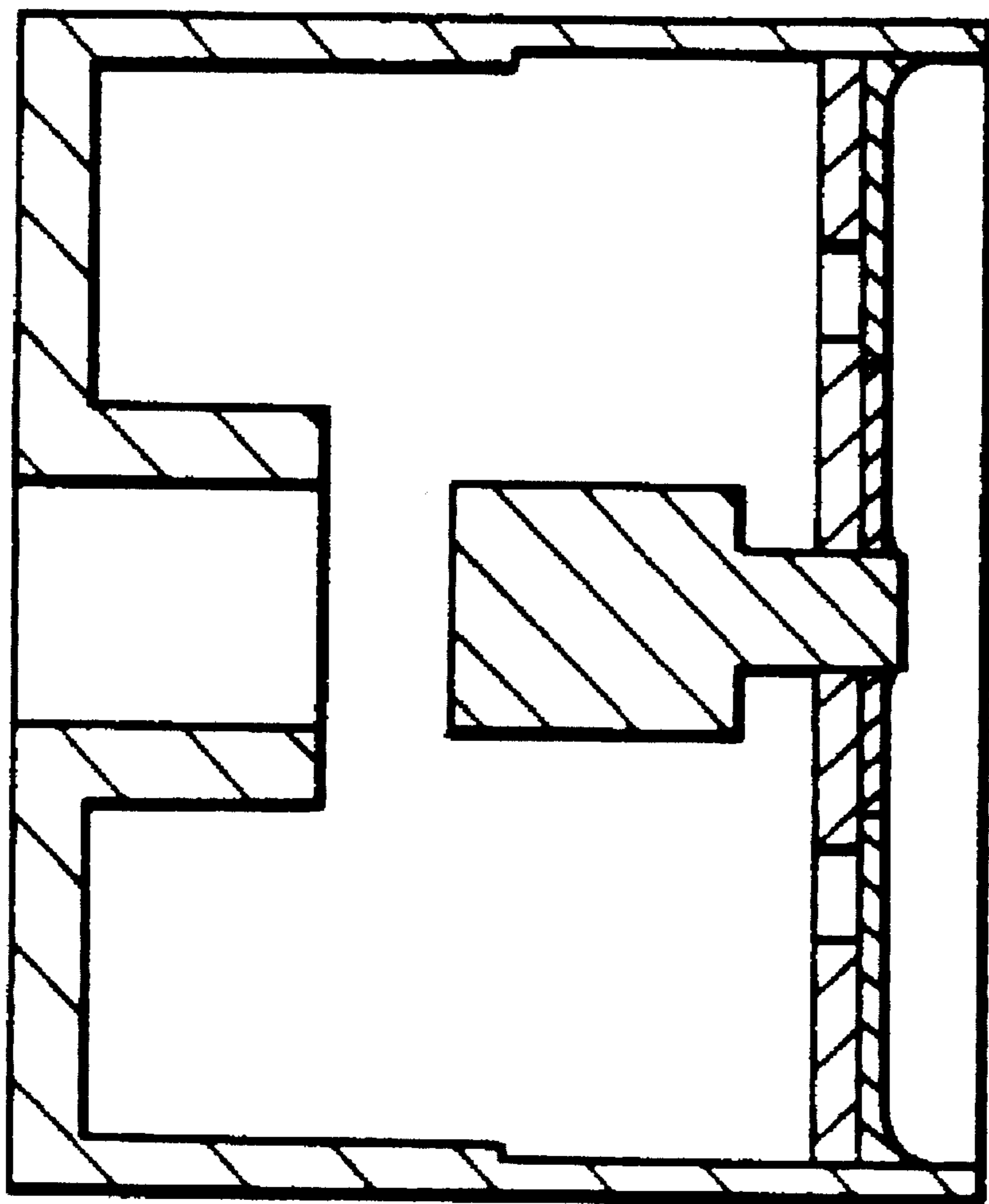


FIG. 7