



US00D373545S

United States Patent [19]

Armanno, Sr.

[11] Patent Number: **Des. 373,545**

[45] Date of Patent: ****Sep. 10, 1996**

[54] WINDOW ALARM SURVEILLANCE PANEL

4,553,134 11/1985 Holt 340/546
4,758,824 7/1988 Young 340/541

[76] Inventor: **Frank Armanno, Sr.**, 14399 Picea Ct.,
Fort Pierce, Fla. 34951

Primary Examiner—Marcus A. Jackson
Attorney, Agent, or Firm—Kevin Redmond

[**] Term: **14 Years**

[57] CLAIM

[21] Appl. No.: **40,037**

The ornamental design for a window alarm surveillance panel, as shown and described.

[22] Filed: **Jun. 8, 1995**

[52] U.S. Cl. **D10/106**

DESCRIPTION

[58] Field of Search D10/104, 106,
D10/116, 121; 340/521, 540, 541, 542,
543, 544, 545, 546, 556, 557

FIG. 1 is a front elevation view showing my new design;
FIG. 2 is a side elevation view, thereof;
FIG. 3 is a perspective view showing the front, top right side,
thereof; and,
FIG. 4 is a perspective view showing the rear top and right
side thereof.

[56] References Cited

U.S. PATENT DOCUMENTS

- D. 305,508 1/1990 Zothamer D10/106
- D. 323,788 2/1992 Roberts et al. D10/106
- D. 330,866 11/1992 Fuller D10/106

1 Claim, 1 Drawing Sheet

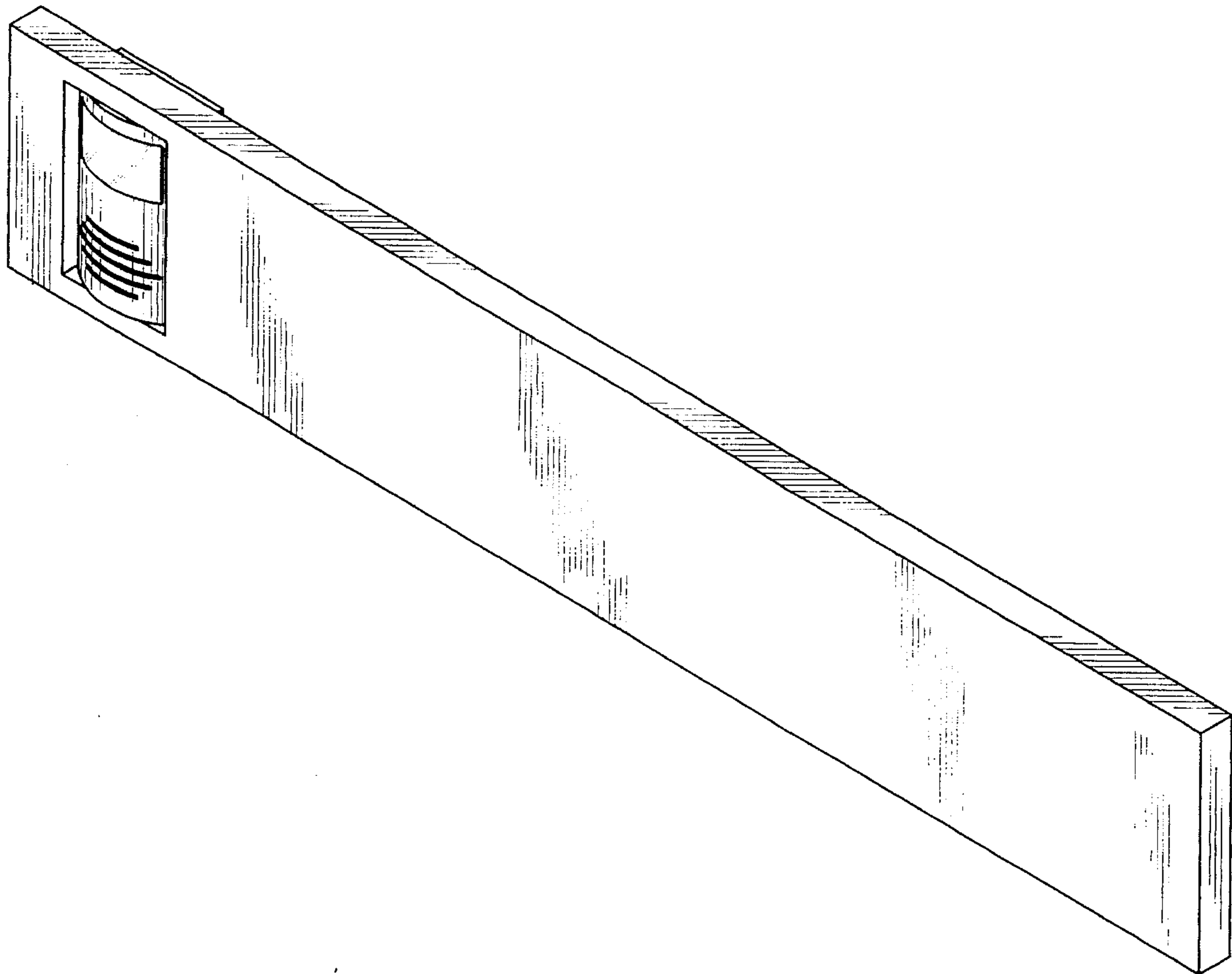


FIG. 1

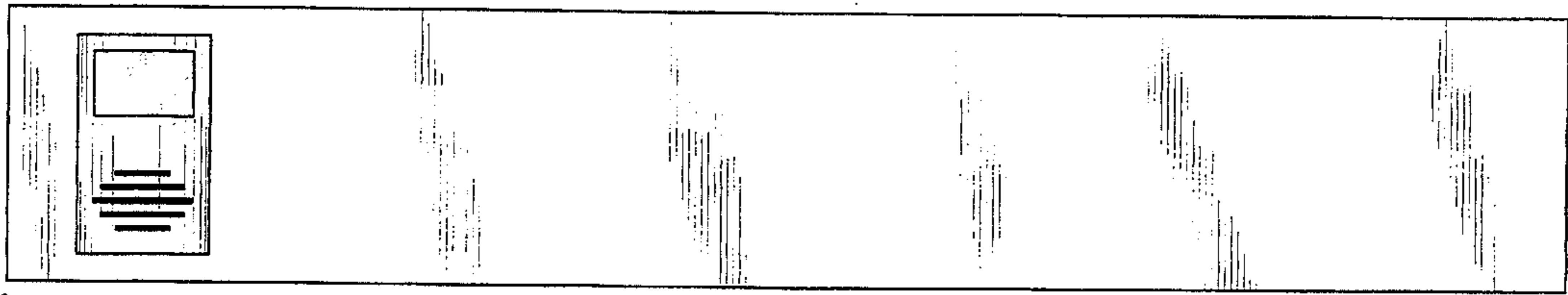


FIG. 3

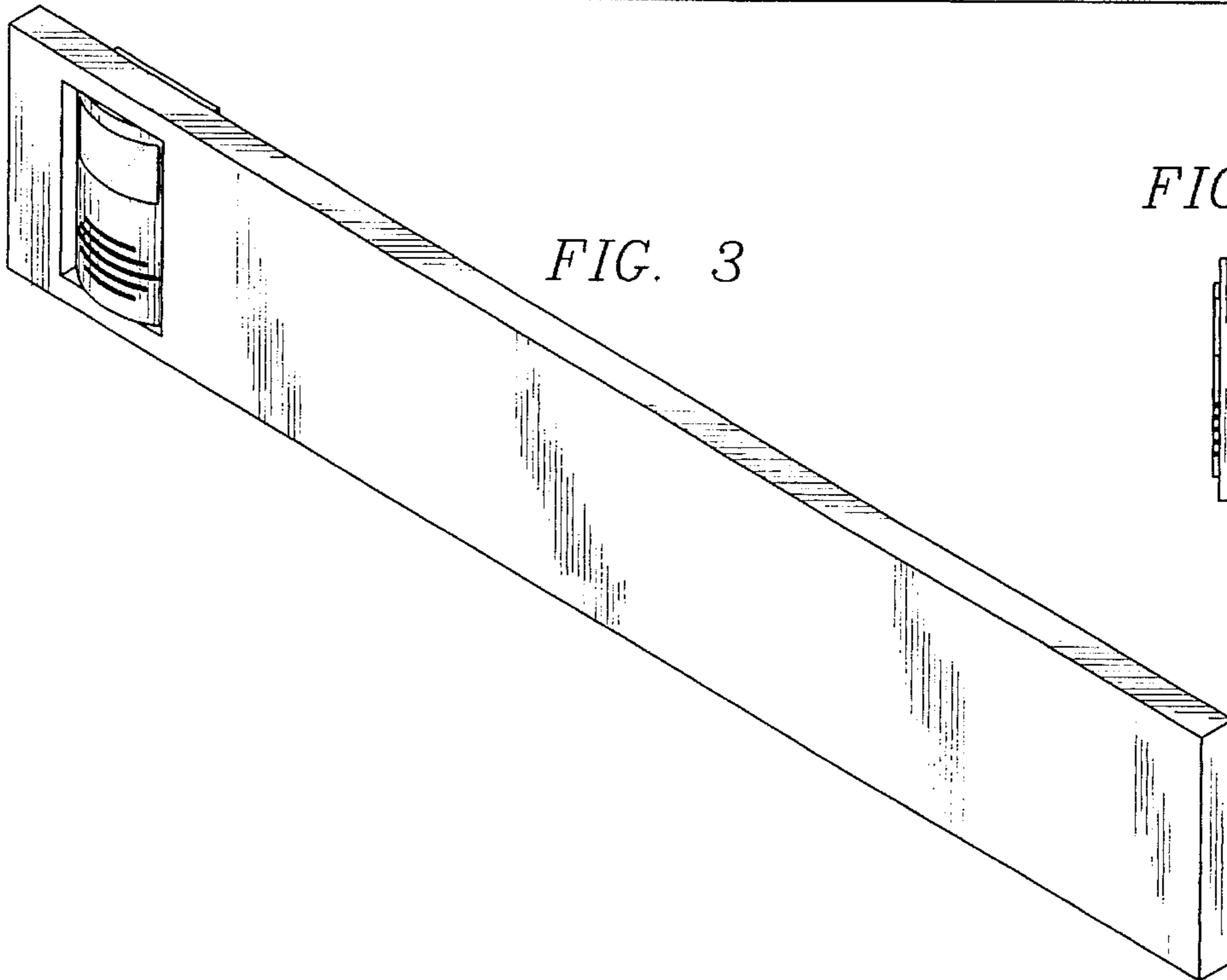


FIG. 2



FIG. 4

