



US00D373543S

United States Patent [19]

[11] **Patent Number: Des. 373,543**

Price

[45] **Date of Patent: **Sep. 10, 1996**

[54] **TRANSPARENT VARIABLE VOLTAGE TESTER**

FOREIGN PATENT DOCUMENTS

2422959 11/1979 France .

[76] Inventor: **William L. Price**, Highway 310 Box 3109A, Madrid, N.Y. 13660

Primary Examiner—Antoine Duval Davis
Attorney, Agent, or Firm—Richard C. Litman

[**] Term: **14 Years**

[57] CLAIM

[21] Appl. No.: **42,057**

The ornamental design for a transparent variable voltage tester, as shown and described.

[22] Filed: **Jul. 31, 1995**

DESCRIPTION

[52] U.S. Cl. **D10/79**

[58] Field of Search D10/79; 324/127-133, 324/149, 158 F

FIG. 1 is a perspective view of an transparent variable voltage tester showing my new design; FIG. 2 is a top view thereof; FIG. 3 is a bottom view thereof; FIG. 4 is a left side view thereof; FIG. 5 is a right side view; FIG. 6 is a front view thereof; and, FIG. 7 is a rear view thereof.

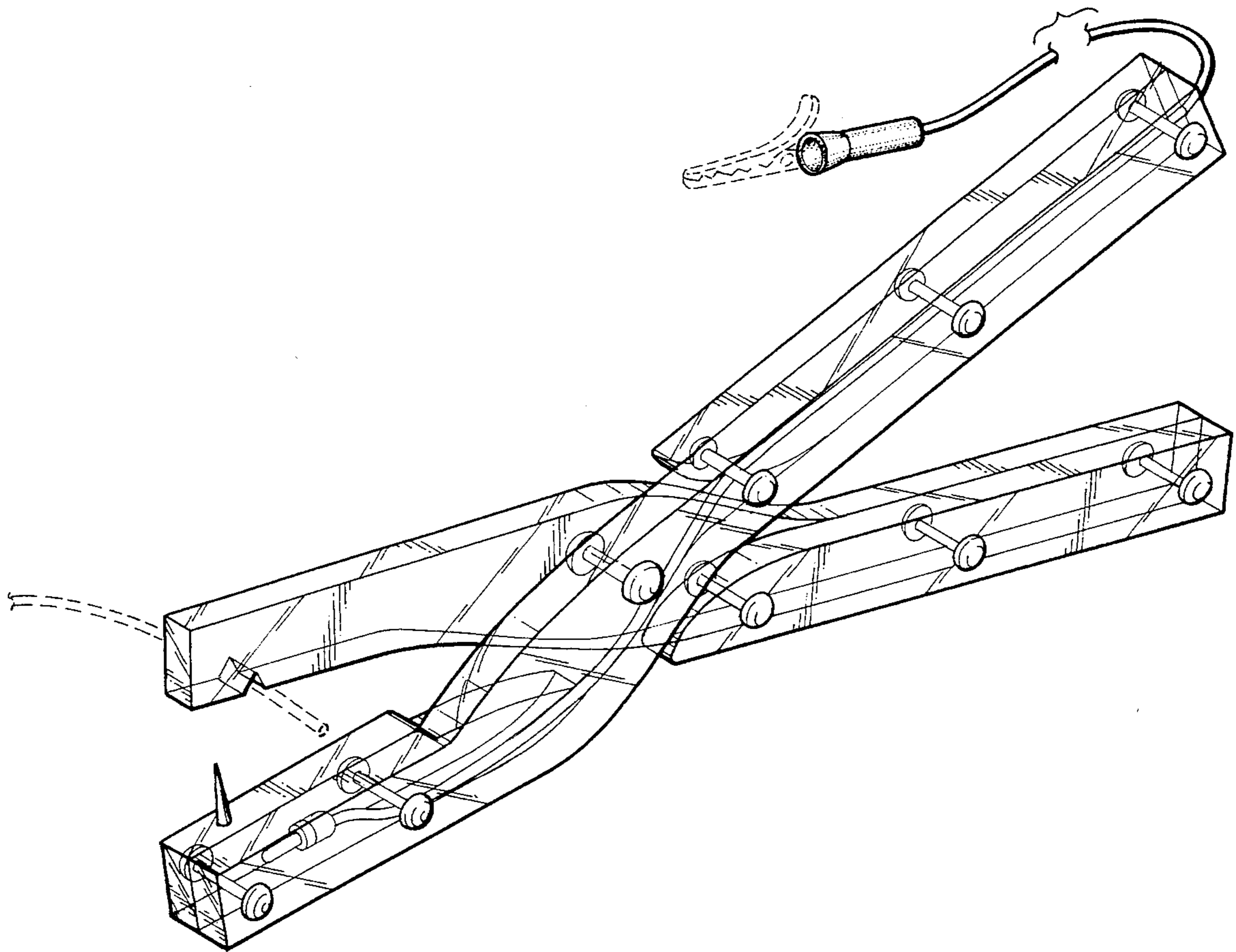
[56] References Cited

U.S. PATENT DOCUMENTS

- D. 242,991 1/1977 McKenzie et al. .
- D. 288,301 2/1987 Arnoux et al. .
- D. 300,307 3/1989 Arnoux et al. D10/79
- D. 315,522 3/1991 Arnoux et al. .
- 2,237,187 4/1941 Mantilla .
- 3,337,801 8/1967 Rinier et al. .
- 3,363,171 1/1968 Sietmann et al. .

The broken line showing of an alligator clamp and an electrical wire being tested is for illustrative purposes only and forms no part of the claimed design.

1 Claim, 5 Drawing Sheets



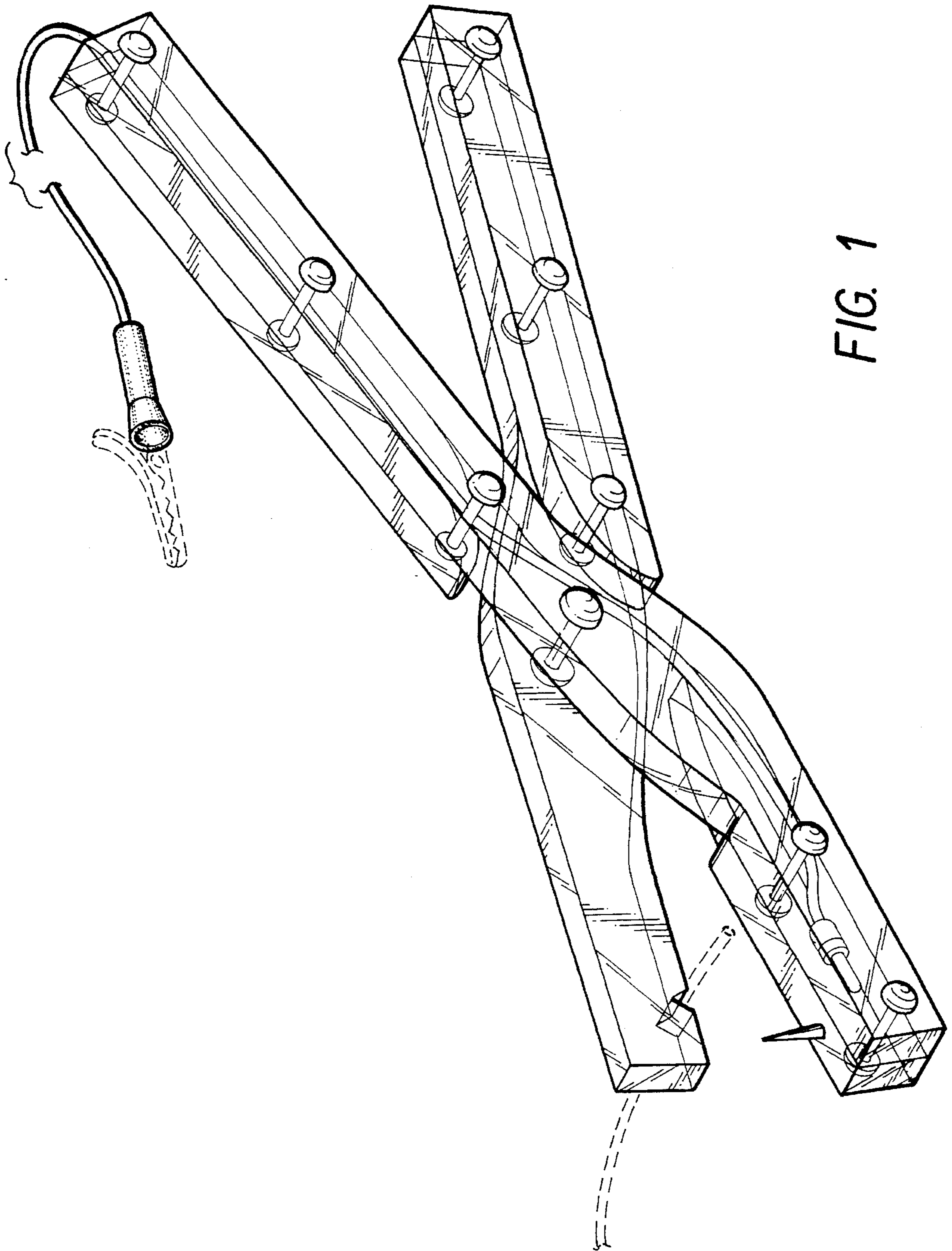


FIG. 1

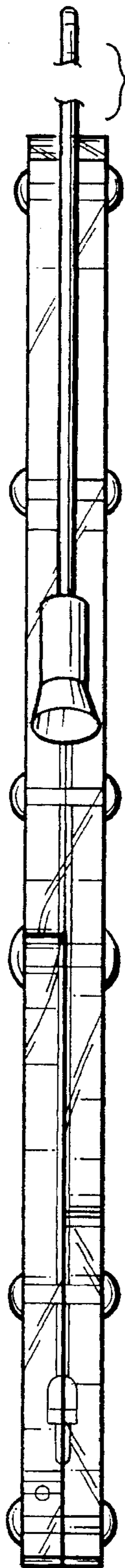


FIG. 2

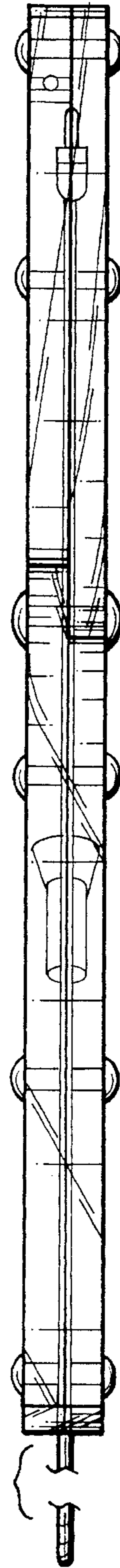


FIG. 3

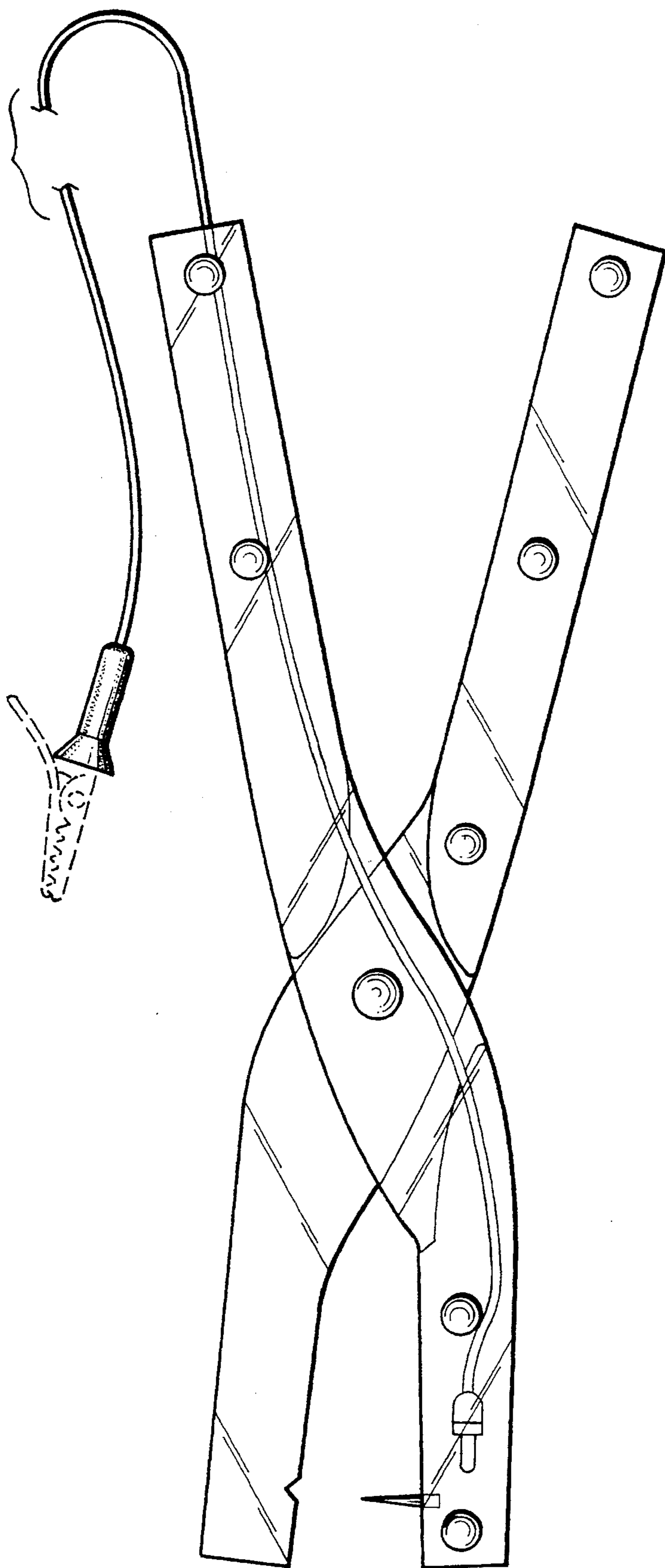


FIG. 4

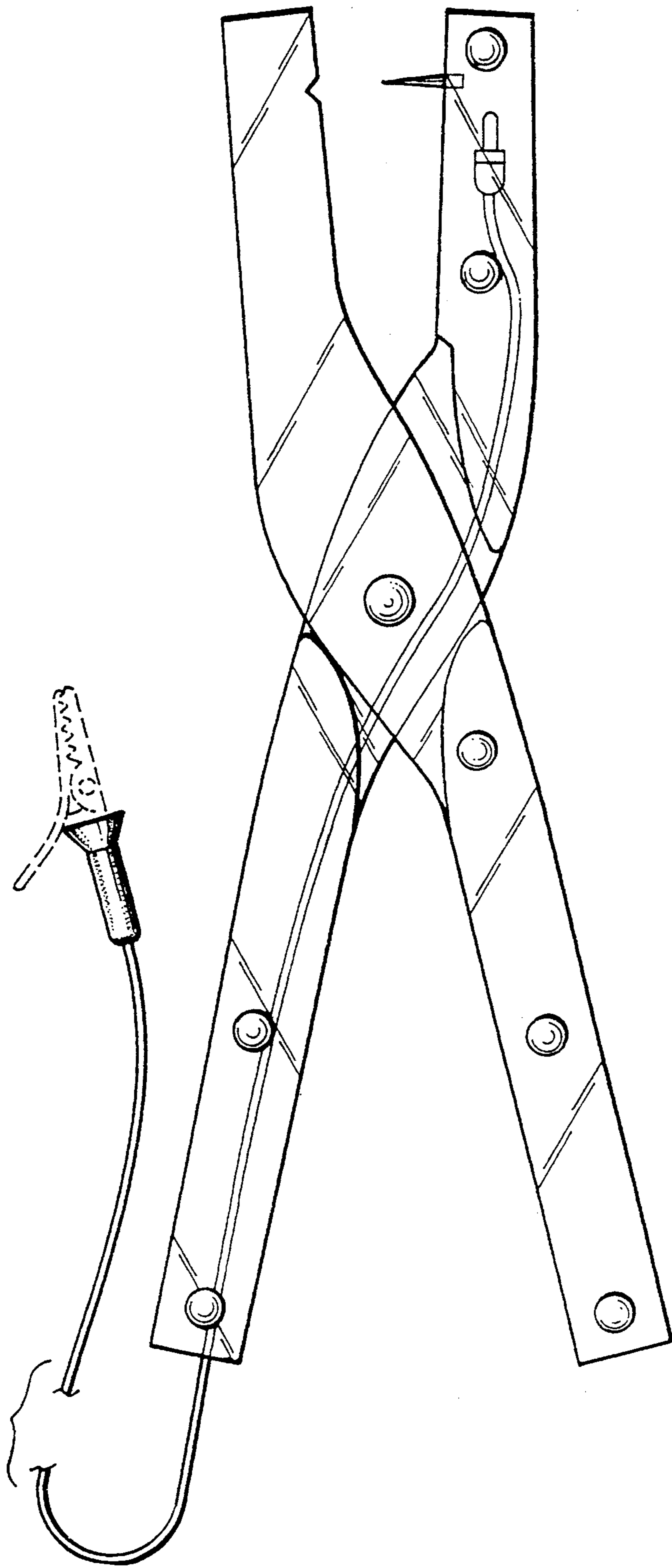


FIG. 5

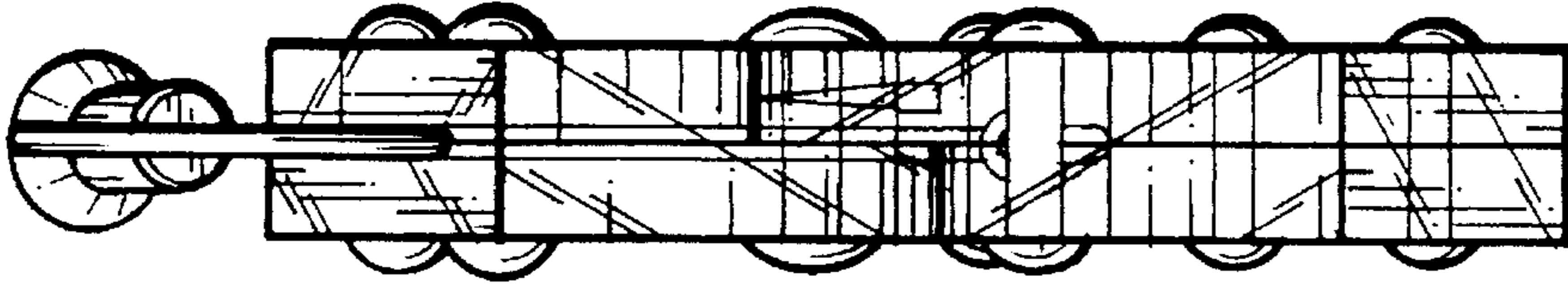


FIG. 7

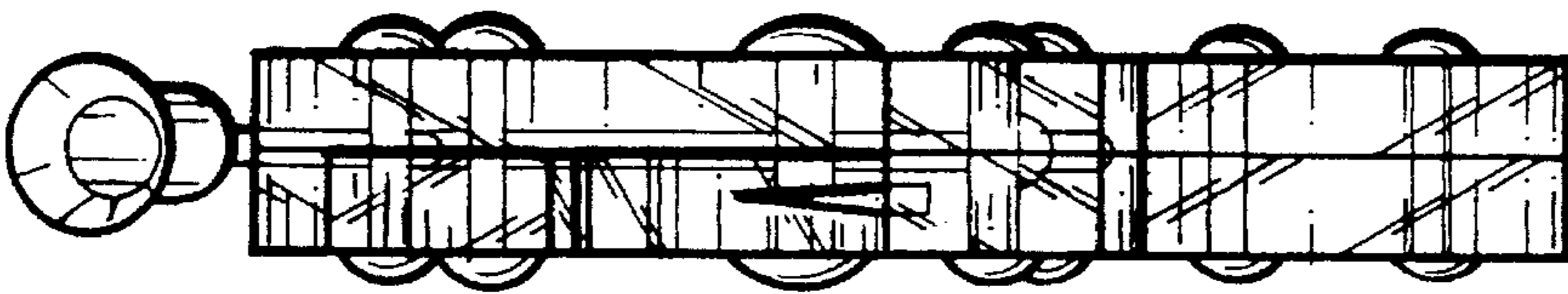


FIG. 6