



US00D373539S

United States Patent [19]

[11] **Patent Number: Des. 373,539**

Droz

[45] **Date of Patent: **Sep. 10, 1996**

[54] **WATCH CASE**

D. 342,454 12/1993 Weber D10/38
D. 343,582 1/1994 Maruyama D10/30

[75] Inventor: **Francoise H. Droz**, Case Postale,
Switzerland

OTHER PUBLICATIONS

Swiss Watch Jewelry Journal -Feb. 1982-p. 282-Watches.

[73] Assignee: **Titan International Marketing Ltd.**,
Bangalore, Ind.

Primary Examiner-Nelson C. Holtje
Attorney, Agent, or Firm-Ladas & Parry

[**] Term: **14 Years**

[57] **CLAIM**

[21] Appl. No.: **43,060**

The ornamental design for a watch case, as shown.

[22] Filed: **Aug. 24, 1995**

DESCRIPTION

[30] **Foreign Application Priority Data**

FIG. 1 is a top plan view of a watch case showing my new design;

Apr. 26, 1995 [GB] United Kingdom 2047016

FIG. 2 is a bottom plan view thereof;

[52] U.S. Cl. **D10/36; D10/39**

FIG. 3 is a right side view thereof;

[58] Field of Search D10/1-40, 122-132;

FIG. 4 is a left side view thereof;

368/280-282, 276-277, 285

FIG. 5 is a front view thereof; and,

FIG. 6 is a rear view thereof.

[56] **References Cited**

U.S. PATENT DOCUMENTS

D. 295,385 4/1988 Watanabe D10/30

1 Claim, 2 Drawing Sheets

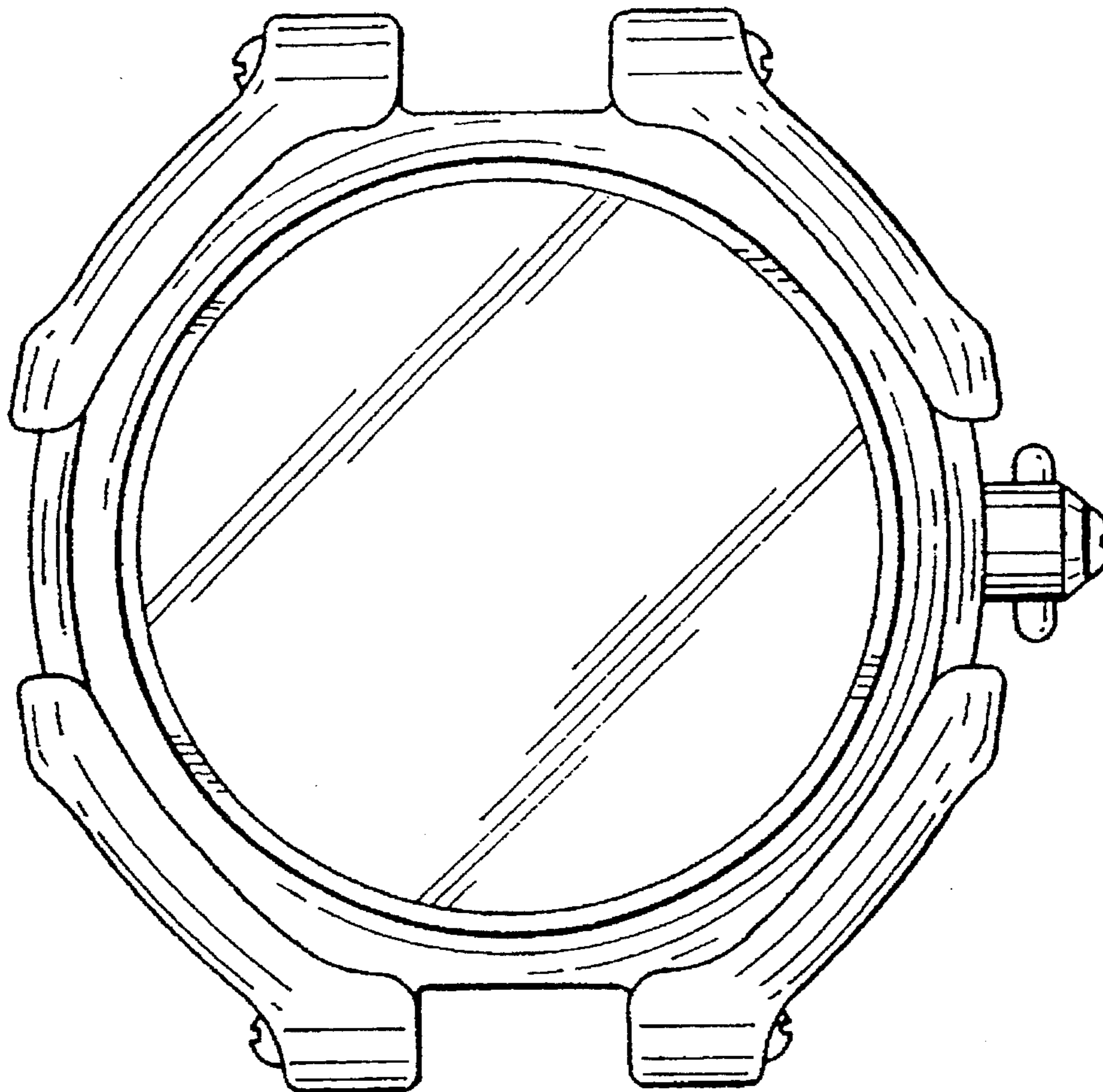


FIG. 1

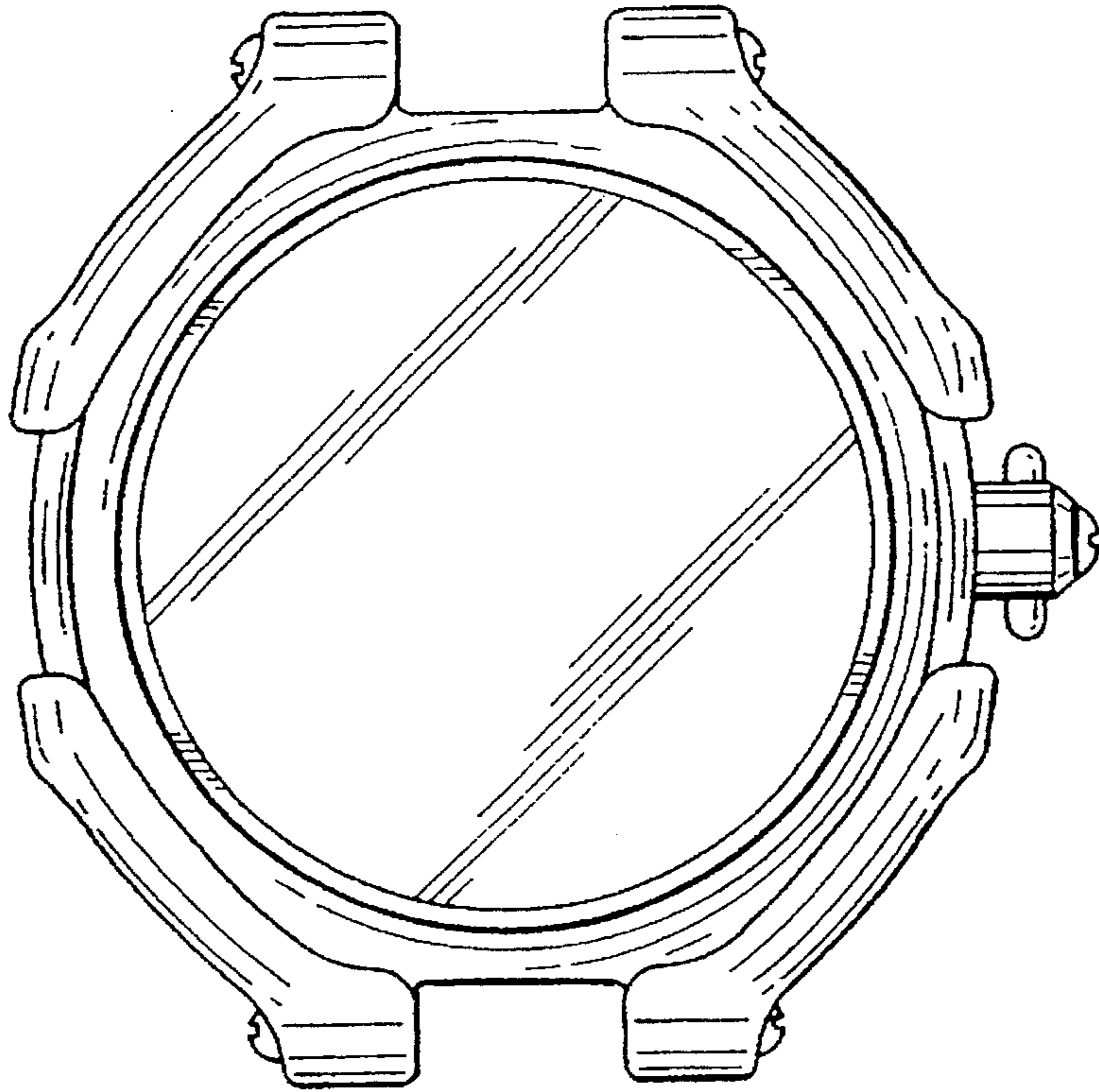


FIG. 2

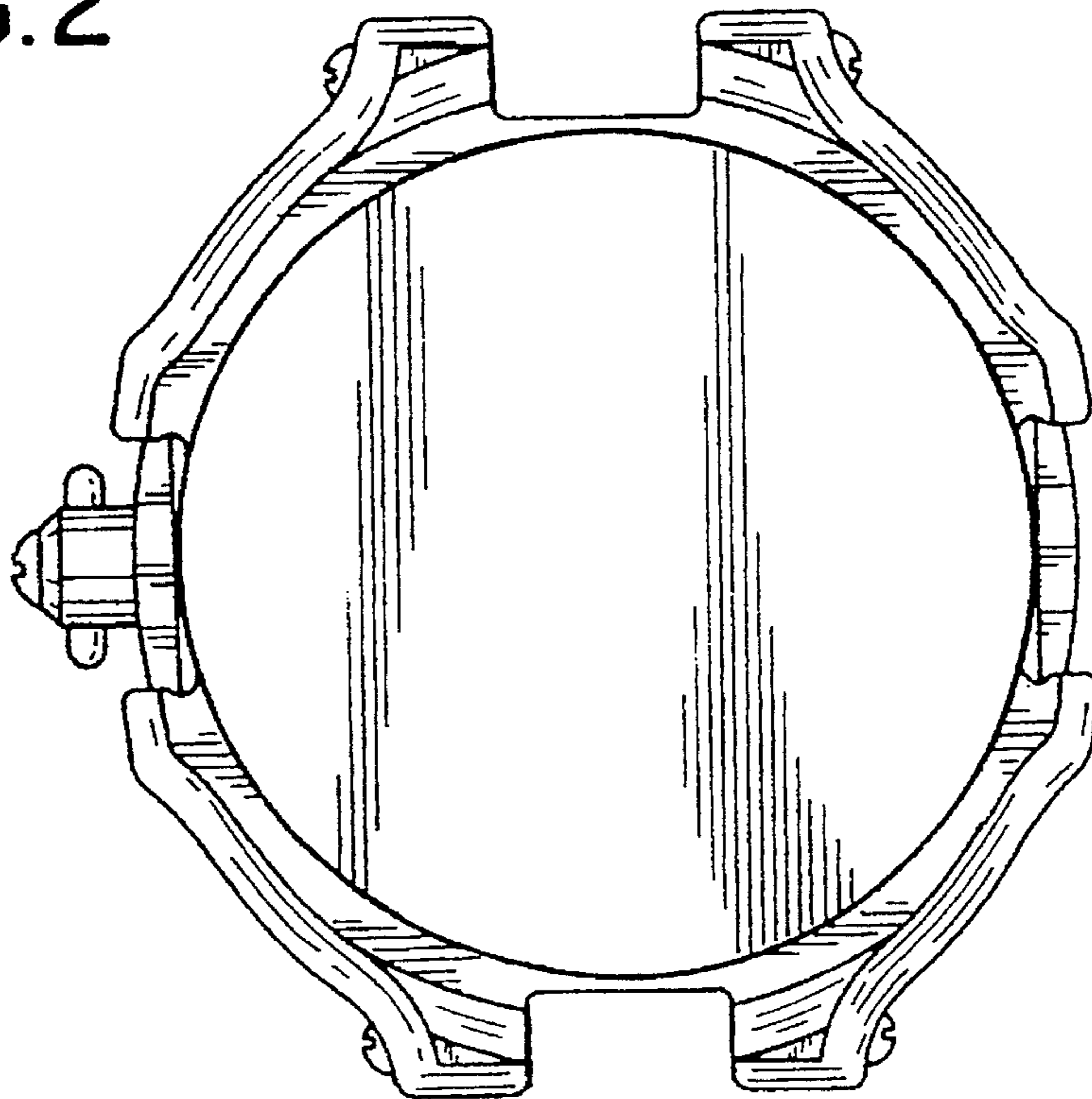


FIG. 3

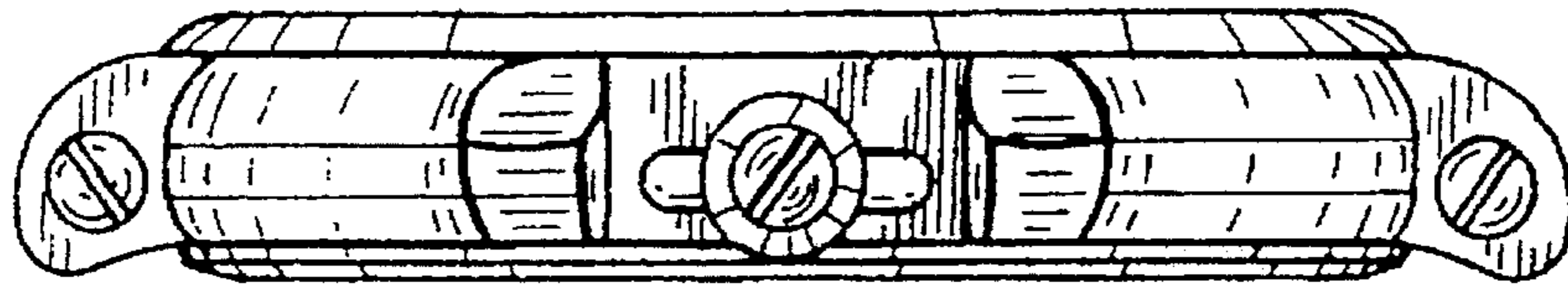


FIG. 4

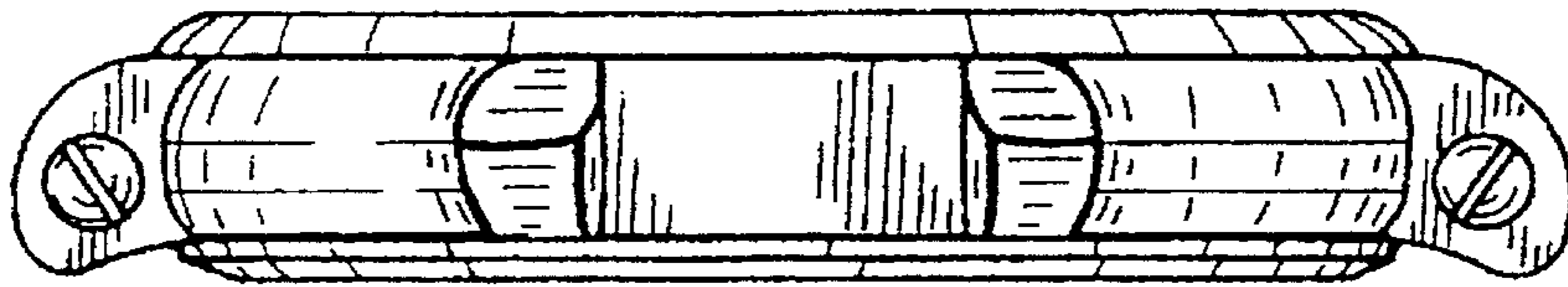


FIG. 5

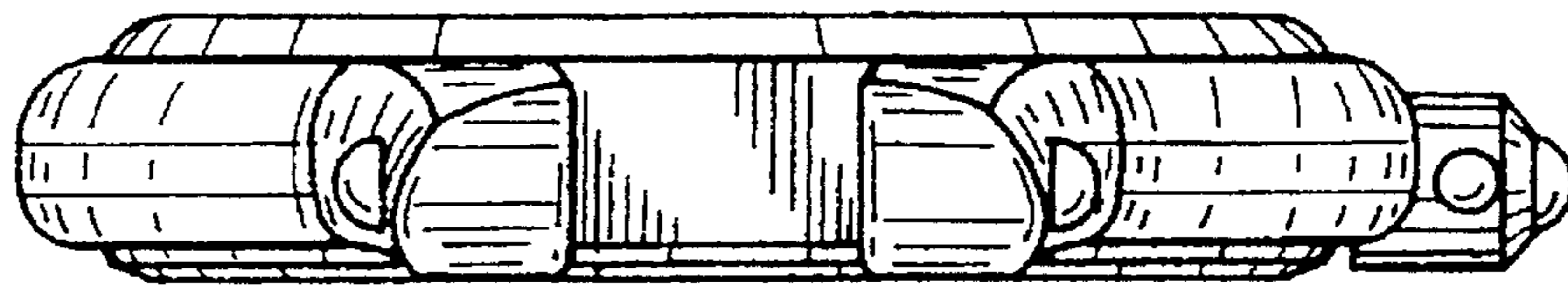


FIG. 6

