



US00D373531S

United States Patent [19]

[11] Patent Number: **Des. 373,531**

Cooksey

[45] Date of Patent: ****Sep. 10, 1996**

[54] **CARTON FOR DISPLAY AND TRANSPORT OF BEVERAGES**

3,888,349 6/1975 MacFarland, Jr. D9/307 X

FOREIGN PATENT DOCUMENTS

[75] Inventor: **Edward J. Cooksey**, Mitchellville, Md.

652622 11/1962 Canada 229/117.14

[73] Assignee: **Frederick Brewing Company**,
Frederick, Md.

1330260 5/1963 France 229/110

2095536 10/1982 United Kingdom 229/110

[**] Term: **14 Years**

Primary Examiner—Sandra L. Morris

Assistant Examiner—Nanda Bondade

[21] Appl. No.: **31,247**

[57] CLAIM

[22] Filed: **Nov. 18, 1994**

The ornamental design for a carton for the display and transport of beverages, as shown and described.

[52] U.S. Cl. **D9/430**

[58] Field of Search D9/337, 414, 418,
D9/423, 430-433; 206/139; 229/110, 117.14,
117.15

DESCRIPTION

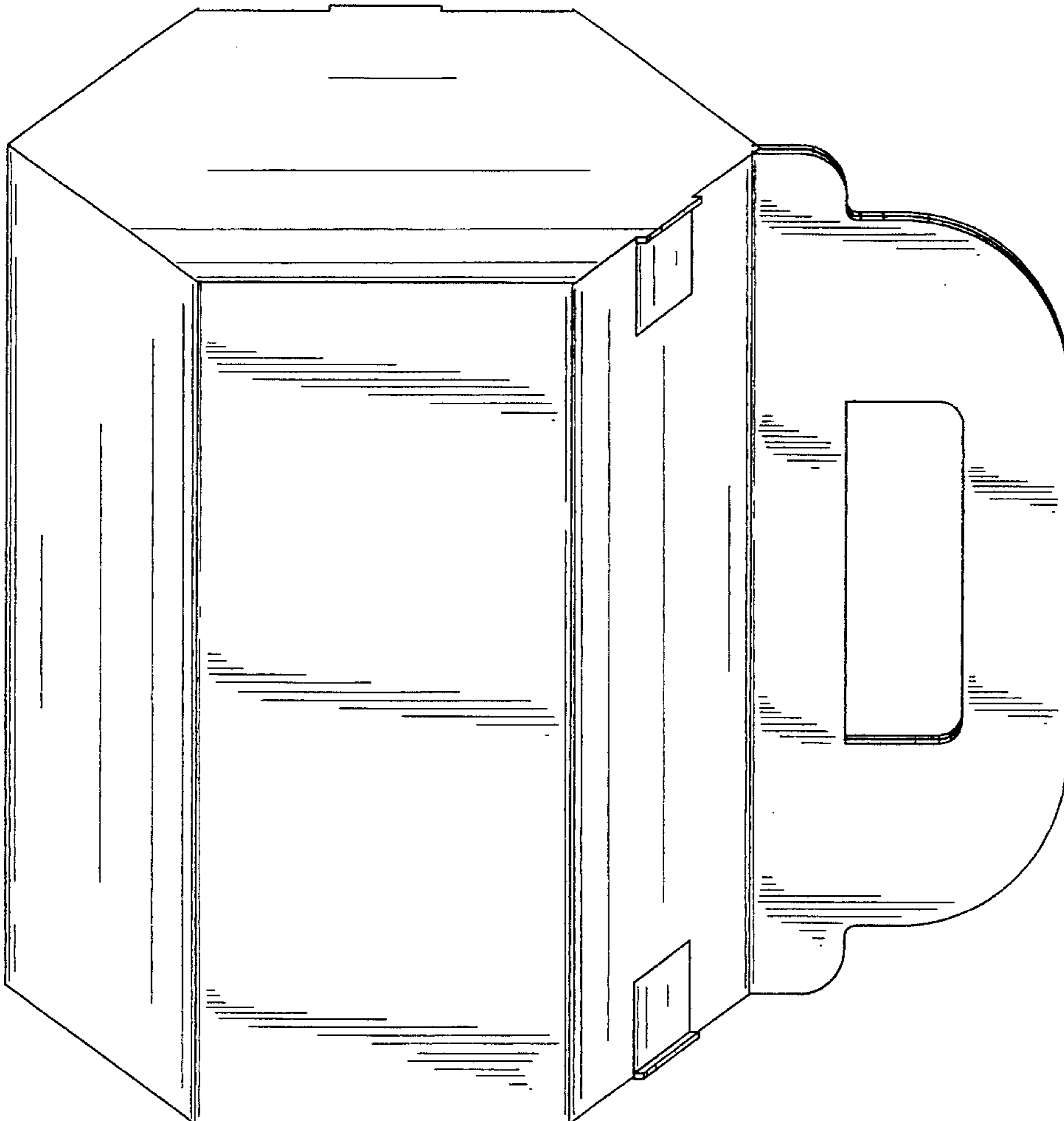
[56] References Cited

U.S. PATENT DOCUMENTS

D. 324,823	3/1992	Scarpa et al.	D9/430
2,465,661	3/1949	Ringler	229/110
2,644,633	7/1953	Stopper	229/110
2,793,801	5/1957	Papadopoulos	229/117.14
3,463,379	8/1969	Dlugopolski	229/110 X

FIG. 1 is a front and top perspective view of a carton for display and transport of beverages showing my new design; FIG. 2 is a right side elevational view; FIG. 3 is a front side elevational view; FIG. 4 is a rear side elevational view; FIG. 5 is a left side elevational view; and, FIG. 6 is a top plan view, the bottom view being a mirror image.

1 Claim, 6 Drawing Sheets



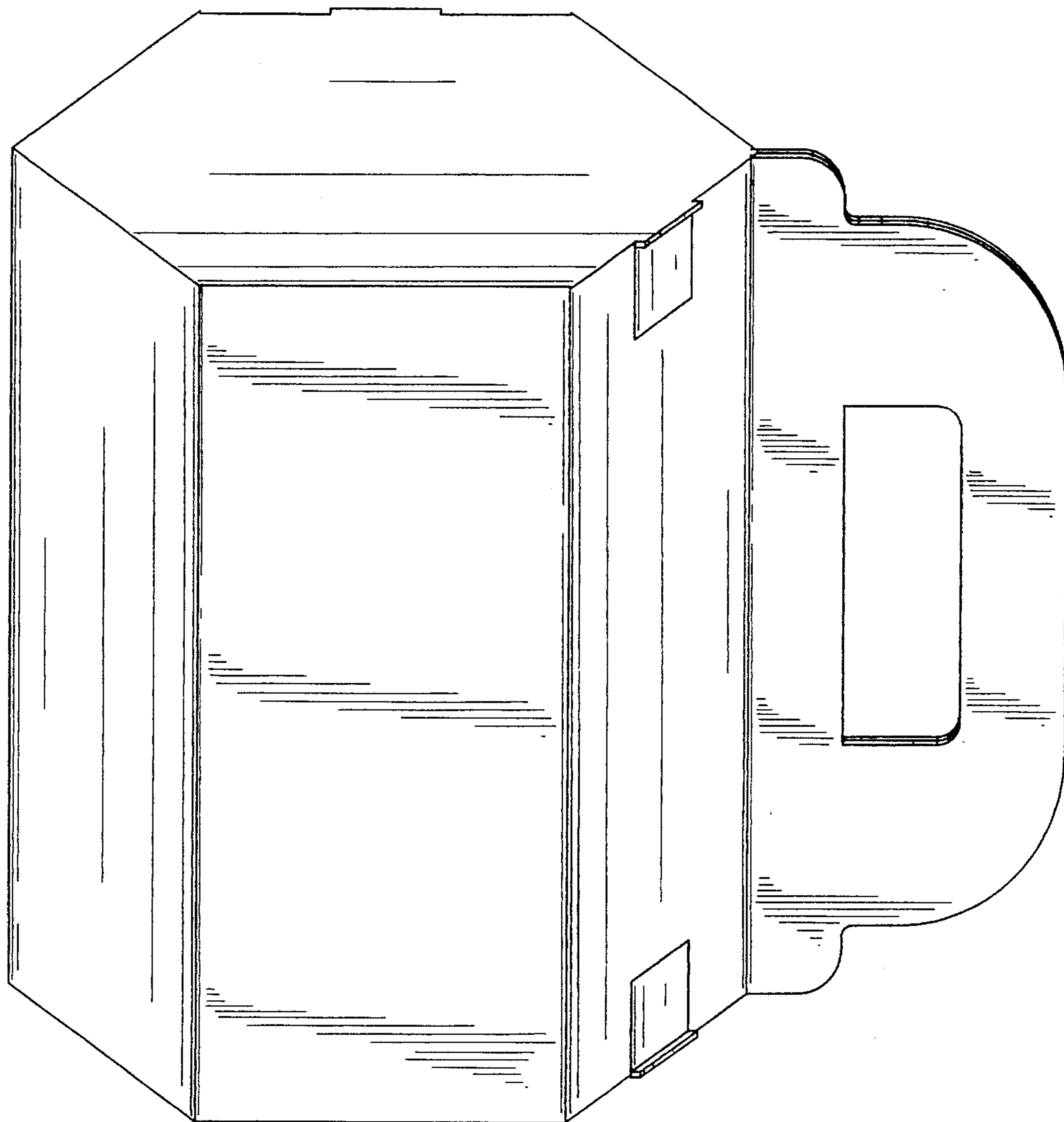


FIG. 1

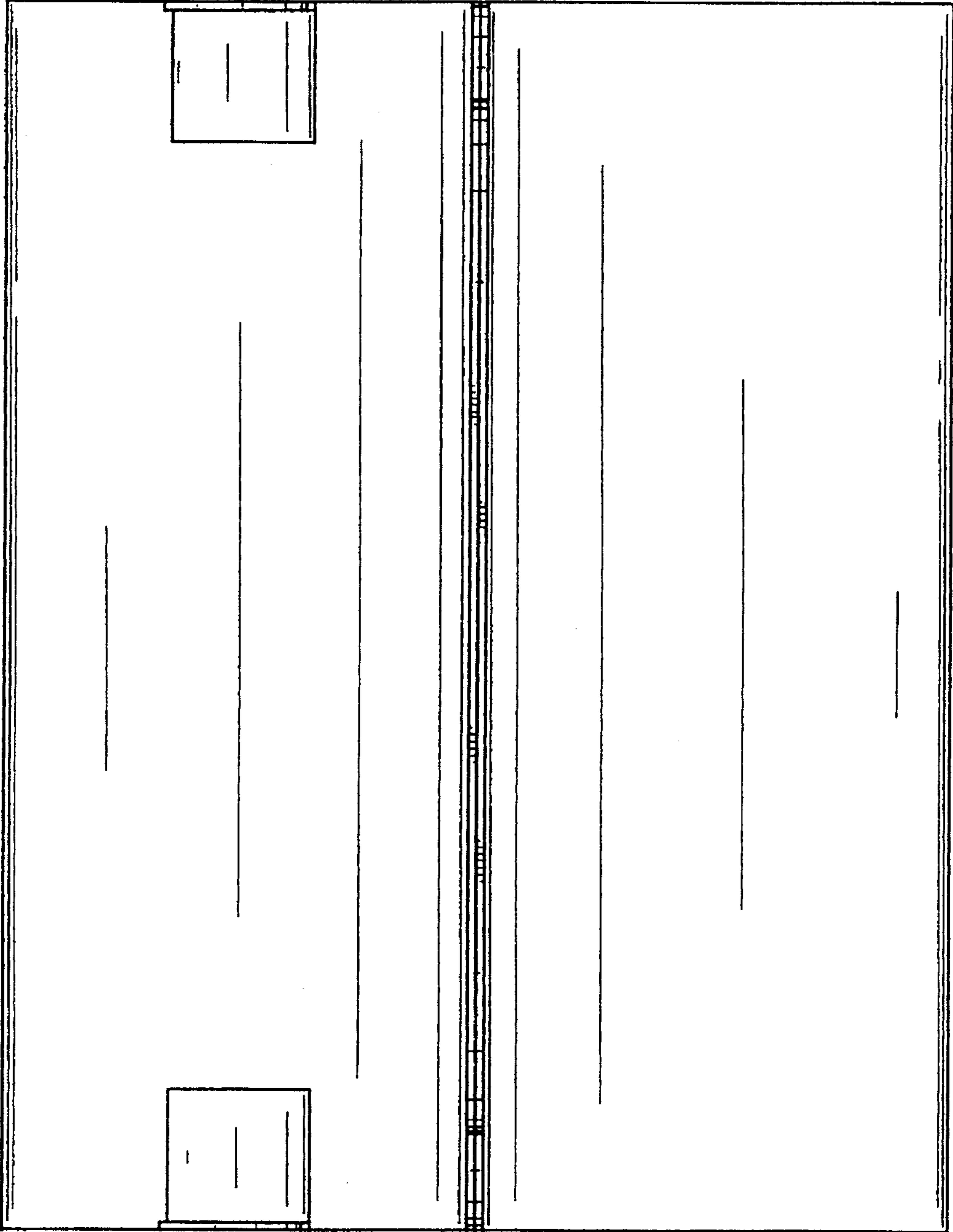


FIG. 2

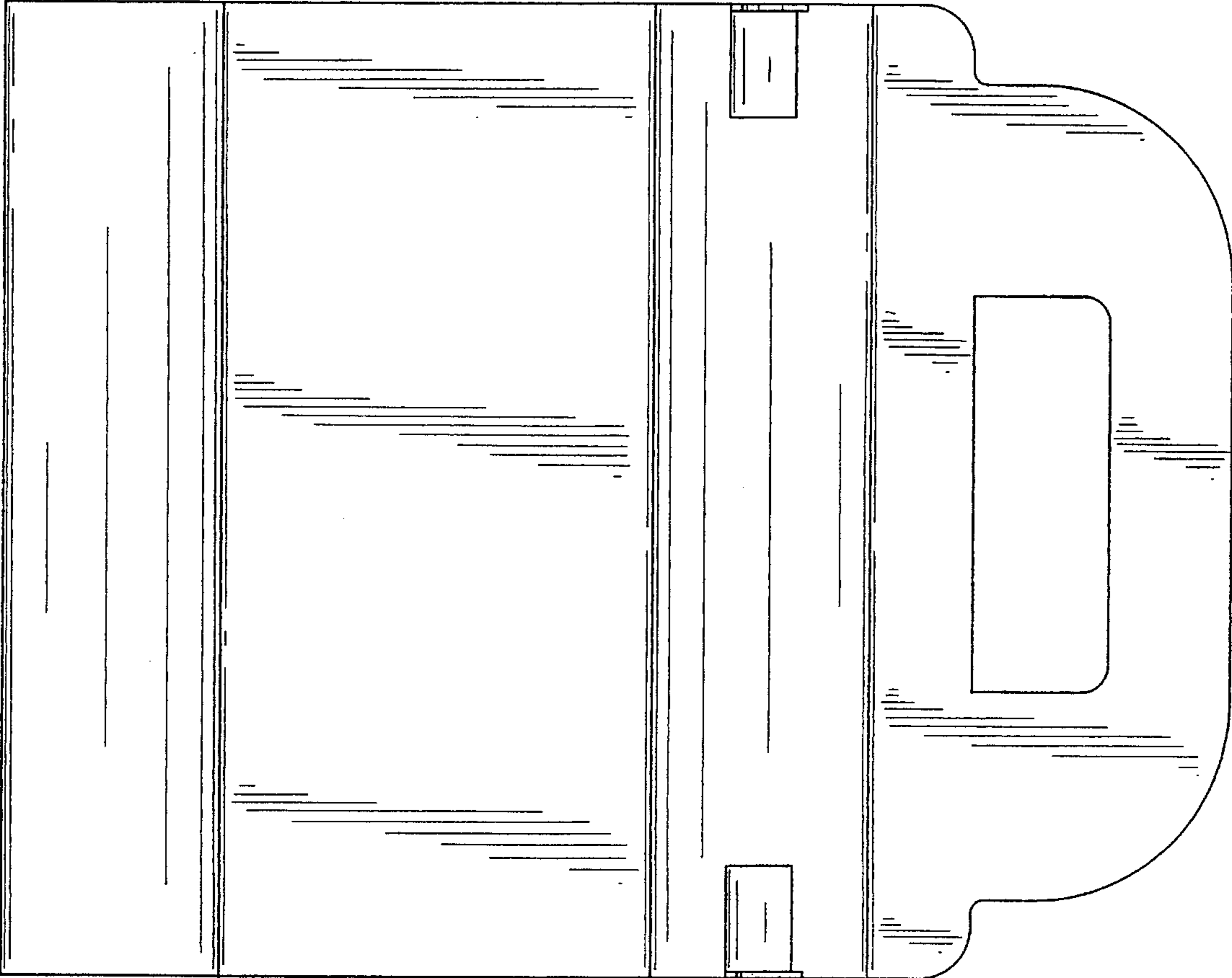


FIG. 3

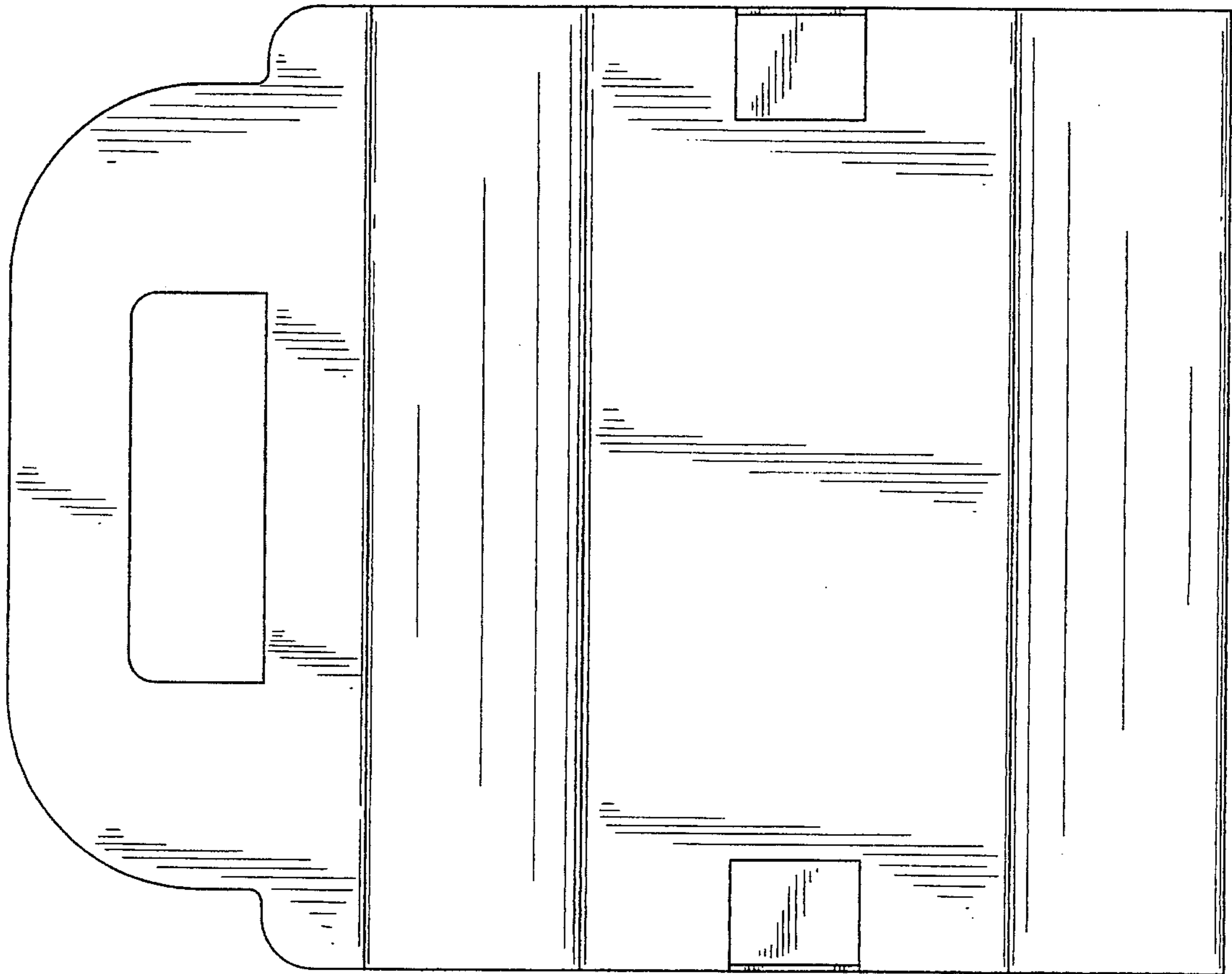


FIG. 4

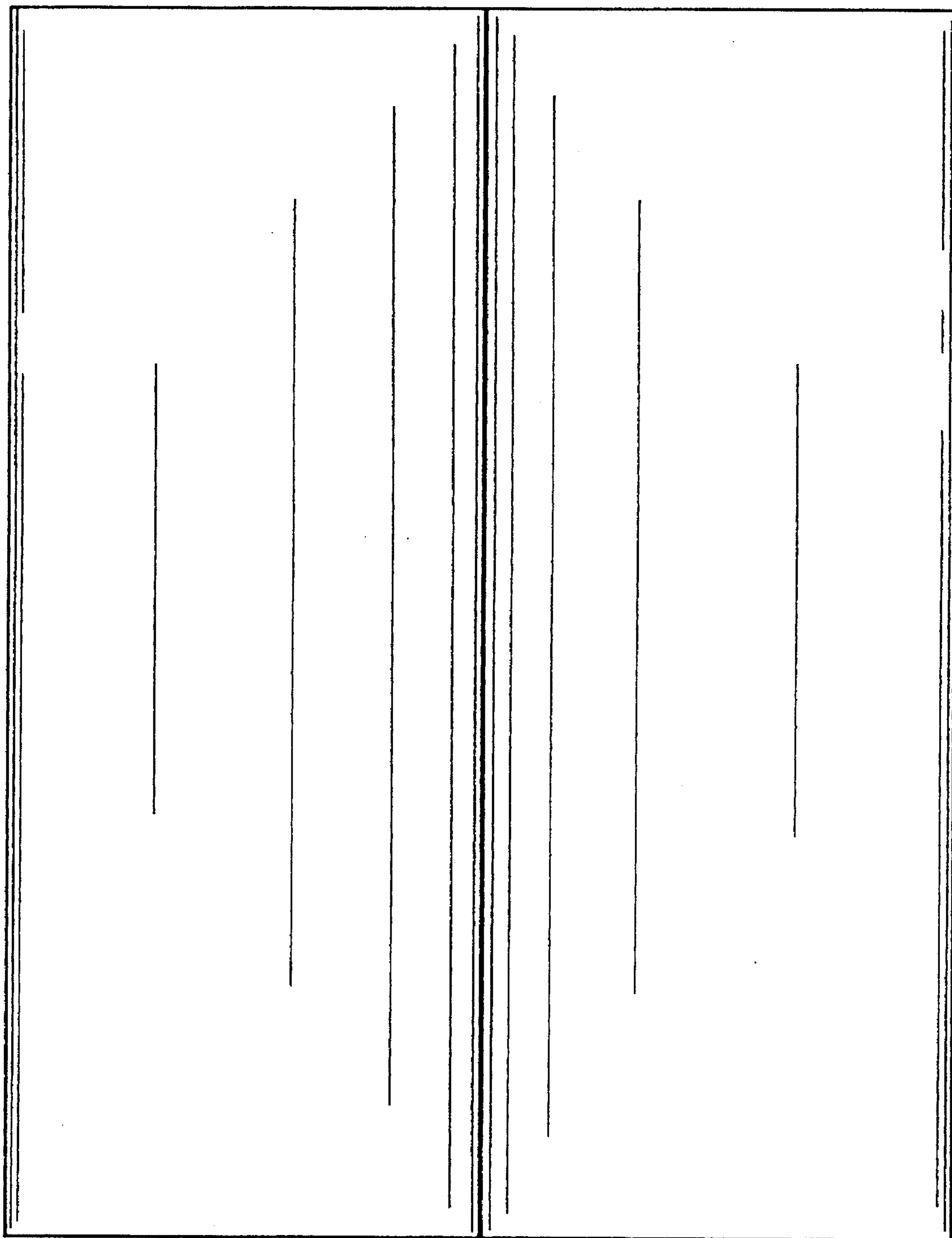


FIG. 5

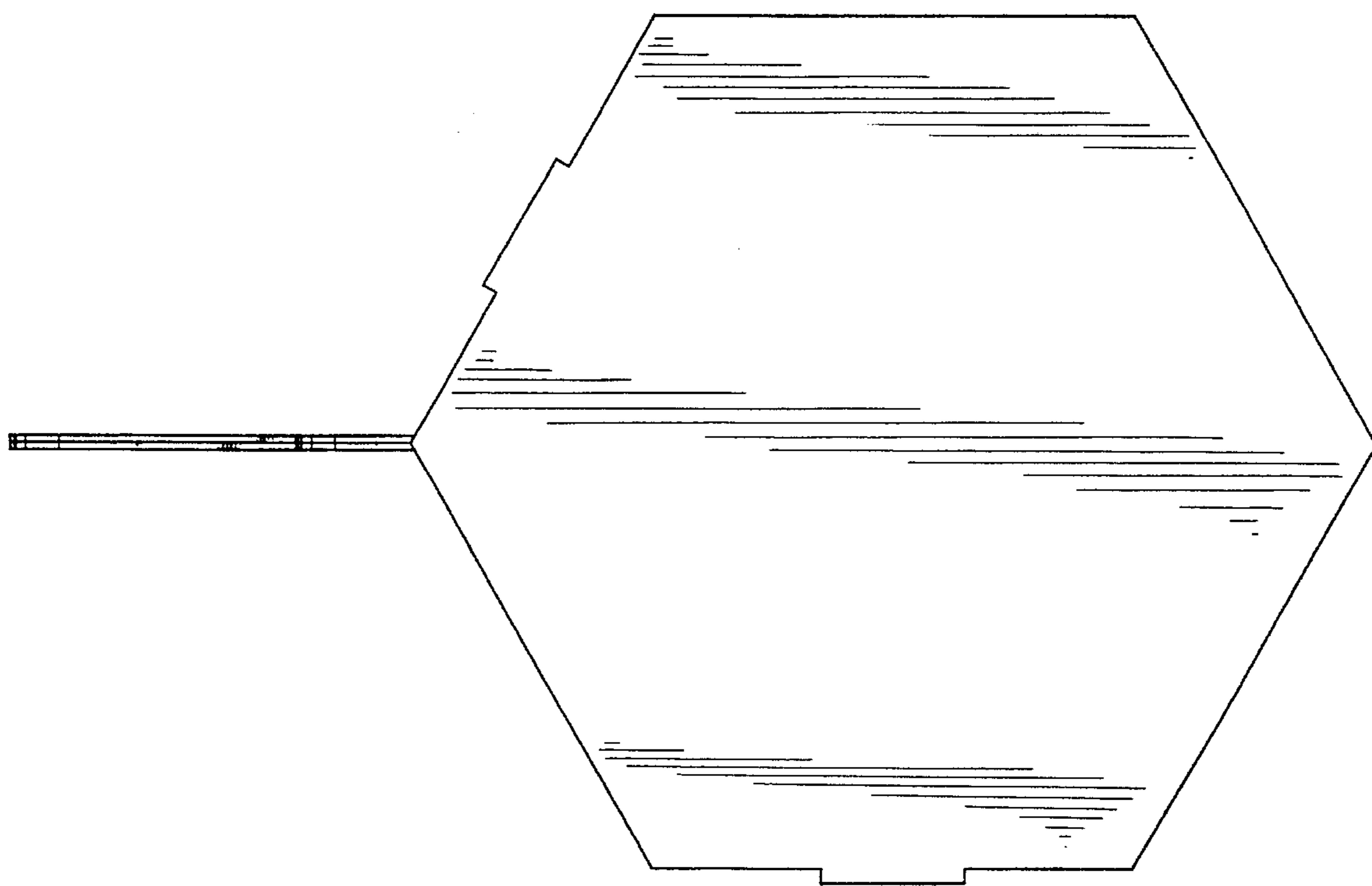


FIG. 6