



US00D373529S

United States Patent [19]

[11] Patent Number: **Des. 373,529**

Zogg et al.

[45] Date of Patent: ****Sep. 10, 1996**

[54] **DISPENSER**

[75] Inventors: **Jon R. Zogg**, Westfield; **Robert Mack**, Flemington; **James C. McKinney**, Cranbury, all of N.J.

[73] Assignee: **Colgate-Palmolive Company**, New York, N.Y.

[**] Term: **14 Years**

[21] Appl. No.: **42,000**

[22] Filed: **Jul. 28, 1995**

[52] U.S. Cl. **D9/300**

[58] Field of Search D9/300, 447, 448, D9/526; 215/371; 222/383.1, 383.3, 384, 321.9, 105, 212, 182, 372, 373, 405, 137, 327, 94, 136

4,773,562	9/1988	Gueret .	
4,838,457	6/1989	Swahl et al. .	
4,974,756	12/1990	Pearson et al. .	
4,989,758	2/1991	Keller .	
5,020,694	6/1991	Pettengill .	
5,038,963	8/1991	Pettengill et al. .	
5,169,029	12/1992	Behar et al. .	
5,224,627	7/1993	Weag .	
5,289,949	3/1994	Gentile .	
5,295,615	3/1994	Gentile	222/327
5,332,124	7/1994	Cancro et al. .	
5,335,827	8/1994	Gentile .	

FOREIGN PATENT DOCUMENTS

0388185	9/1990	European Pat. Off. .
9414680	7/1994	WIPO .

Primary Examiner—Prabhakar G. Deshmukh
Assistant Examiner—Cheri Cohen
Attorney, Agent, or Firm—Michael J. McGreal

[56] References Cited

U.S. PATENT DOCUMENTS

D. 277,073	1/1985	Czech .	
D. 306,554	3/1990	Lawson .	
D. 307,113	4/1990	Thompson .	
D. 311,861	11/1990	Vanhoutte .	
D. 313,181	12/1990	Pettengill .	
D. 315,496	3/1991	Pettengill .	
D. 318,803	8/1991	Bekius et al.	D9/337 X
D. 320,735	10/1991	Pettengill .	
D. 347,385	5/1994	Kunesh	D9/300
3,166,221	1/1965	Nielsen .	
3,236,418	2/1966	Dalle et al. .	

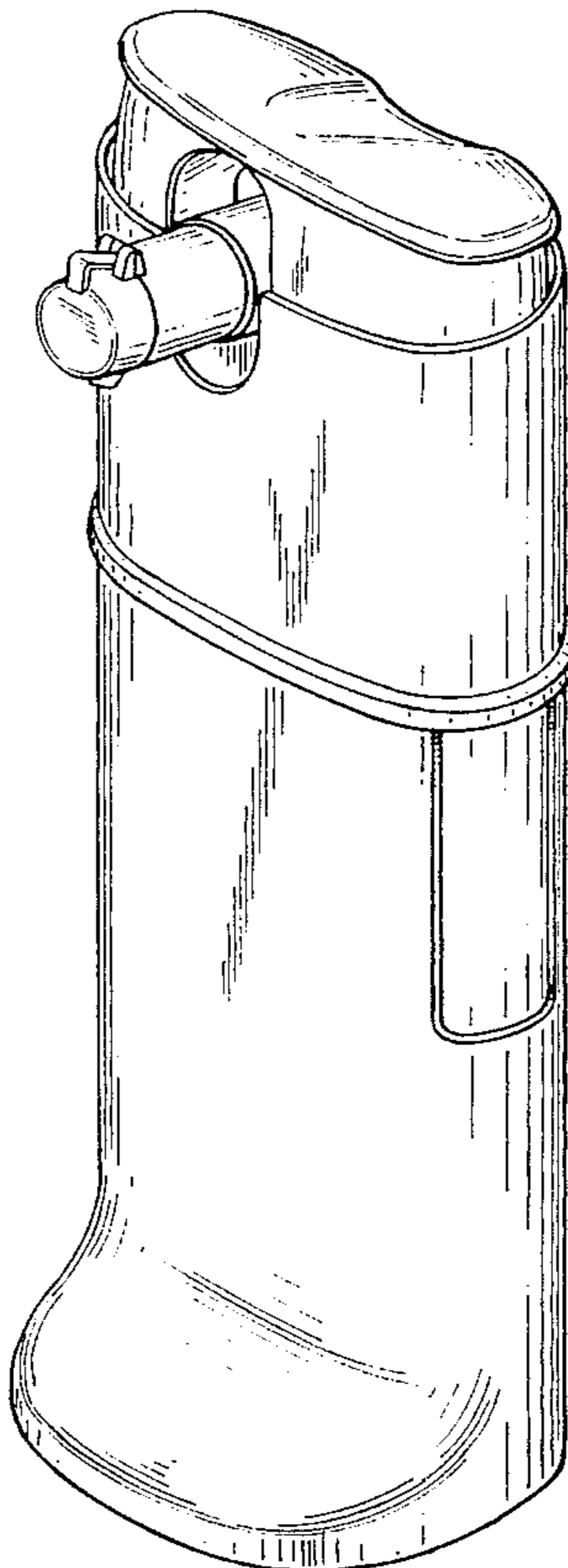
[57] CLAIM

The ornamental design for a dispenser, as shown and described.

DESCRIPTION

FIG. 1 is a perspective view of the dispenser of our design; FIG. 2 is a front elevational view thereof; FIG. 3 is a rear elevational view thereof; FIG. 4 is a side elevational view thereof; FIG. 5 is a top plan view thereof; and, FIG. 6 is a bottom plan view thereof.

1 Claim, 5 Drawing Sheets



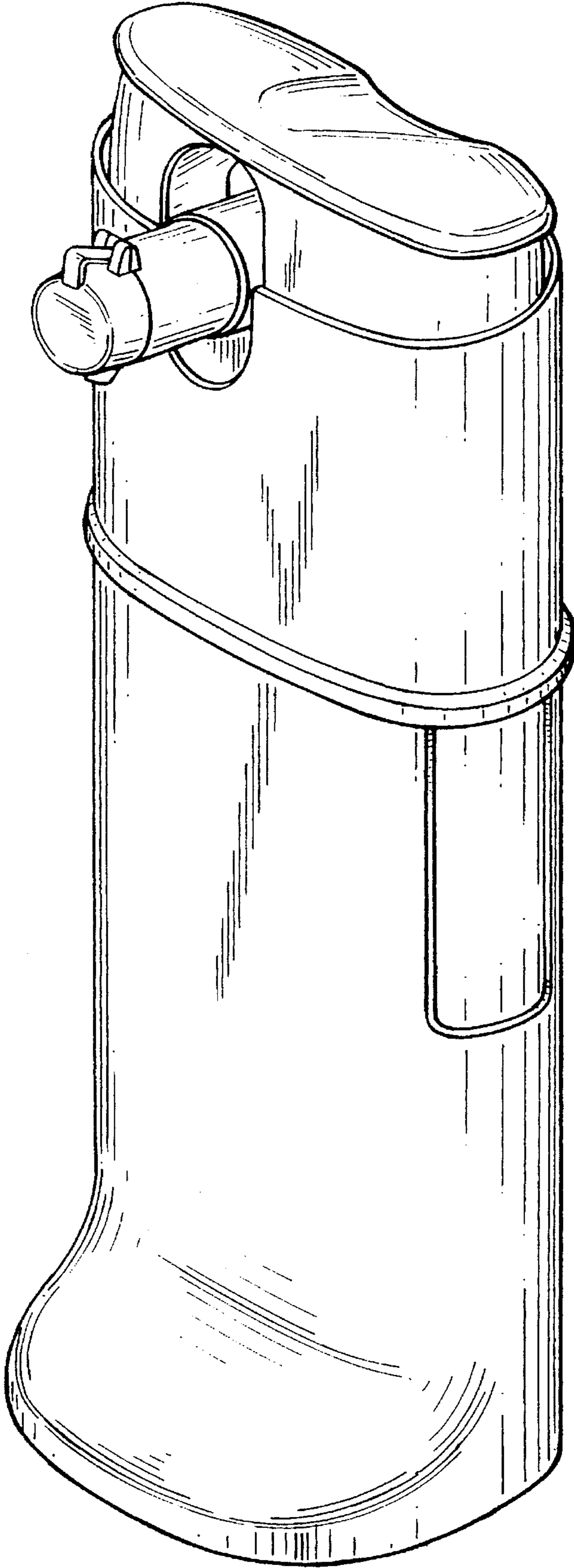


FIG. 1

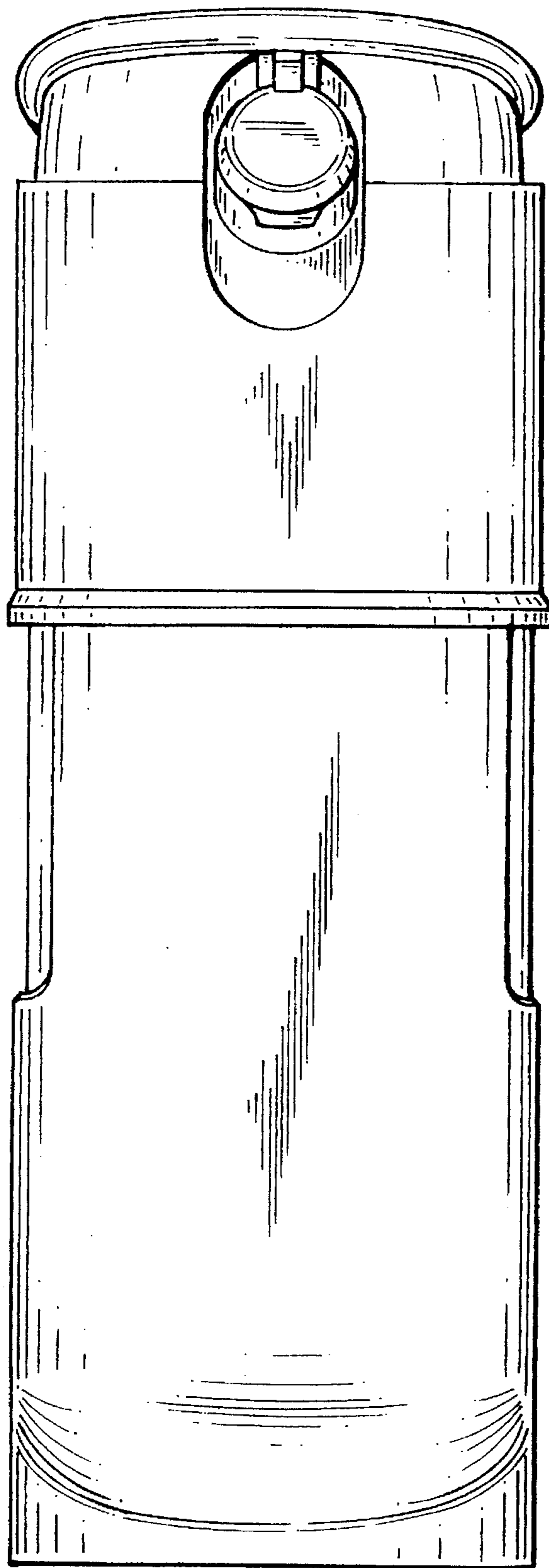


FIG. 2

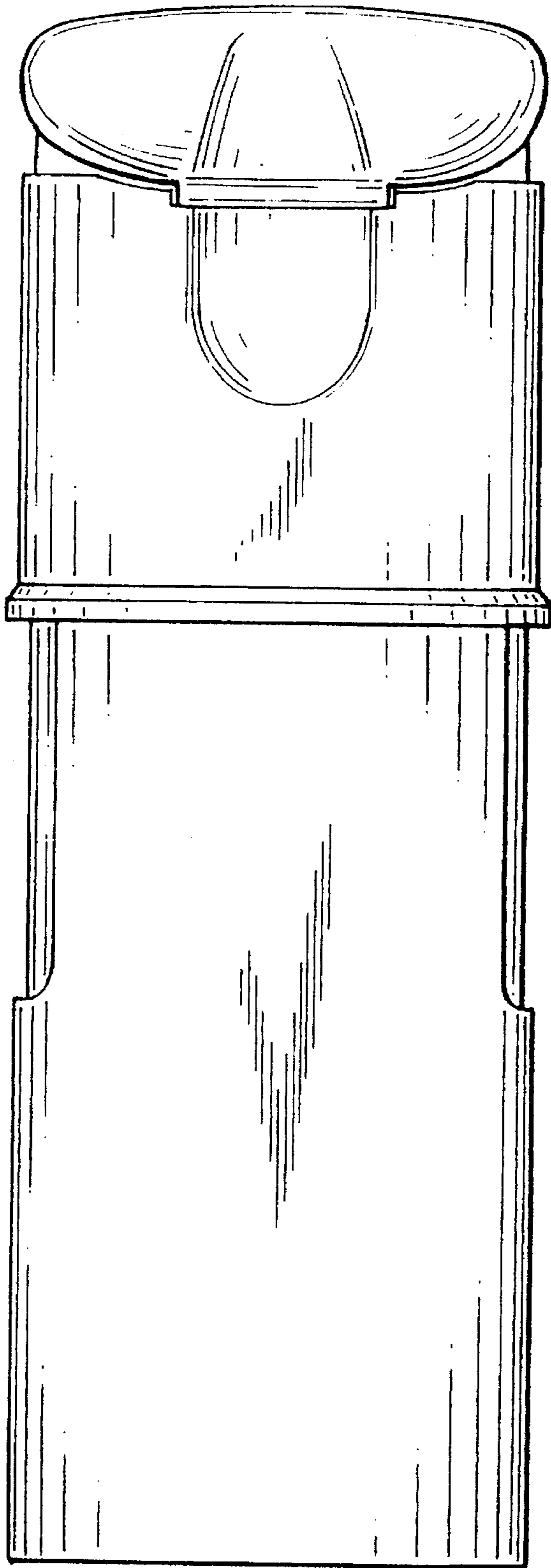


FIG. 3

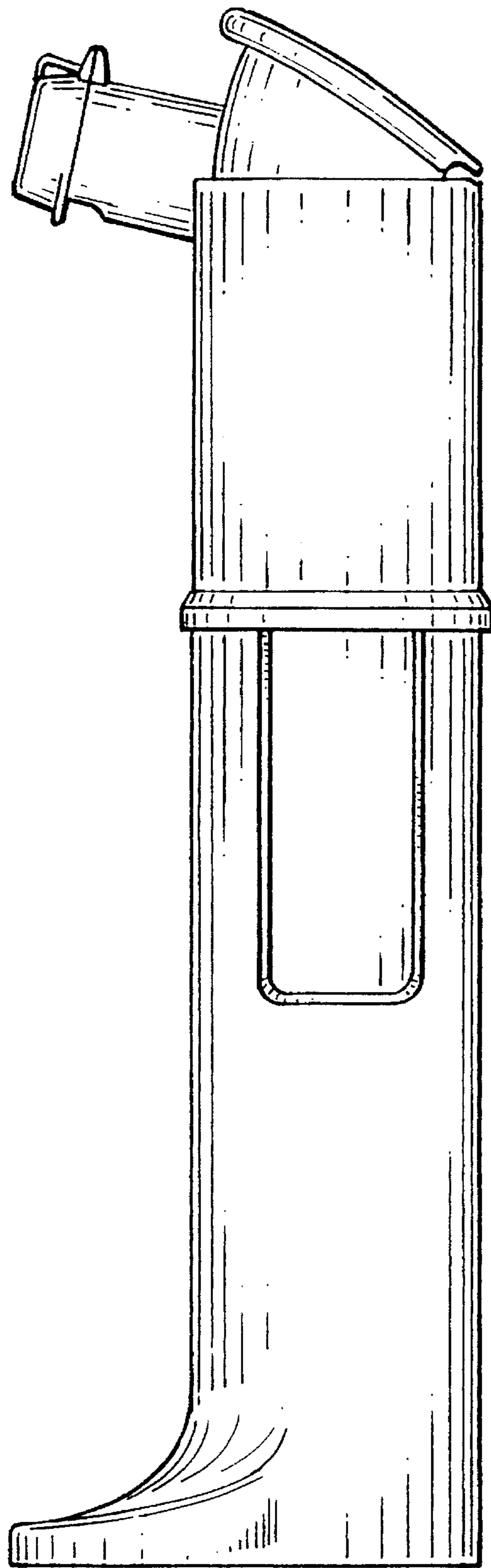


FIG. 4

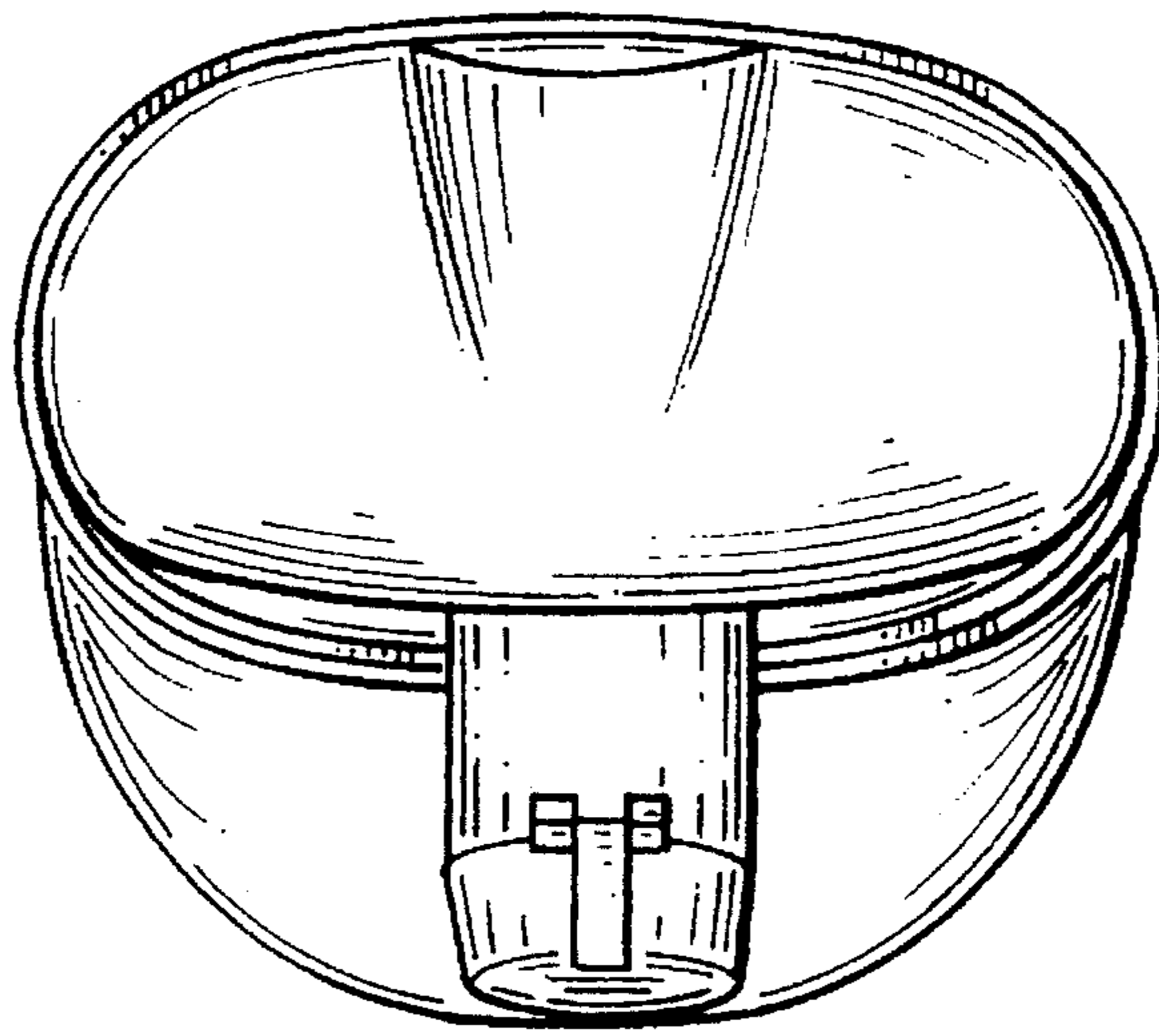


FIG. 5

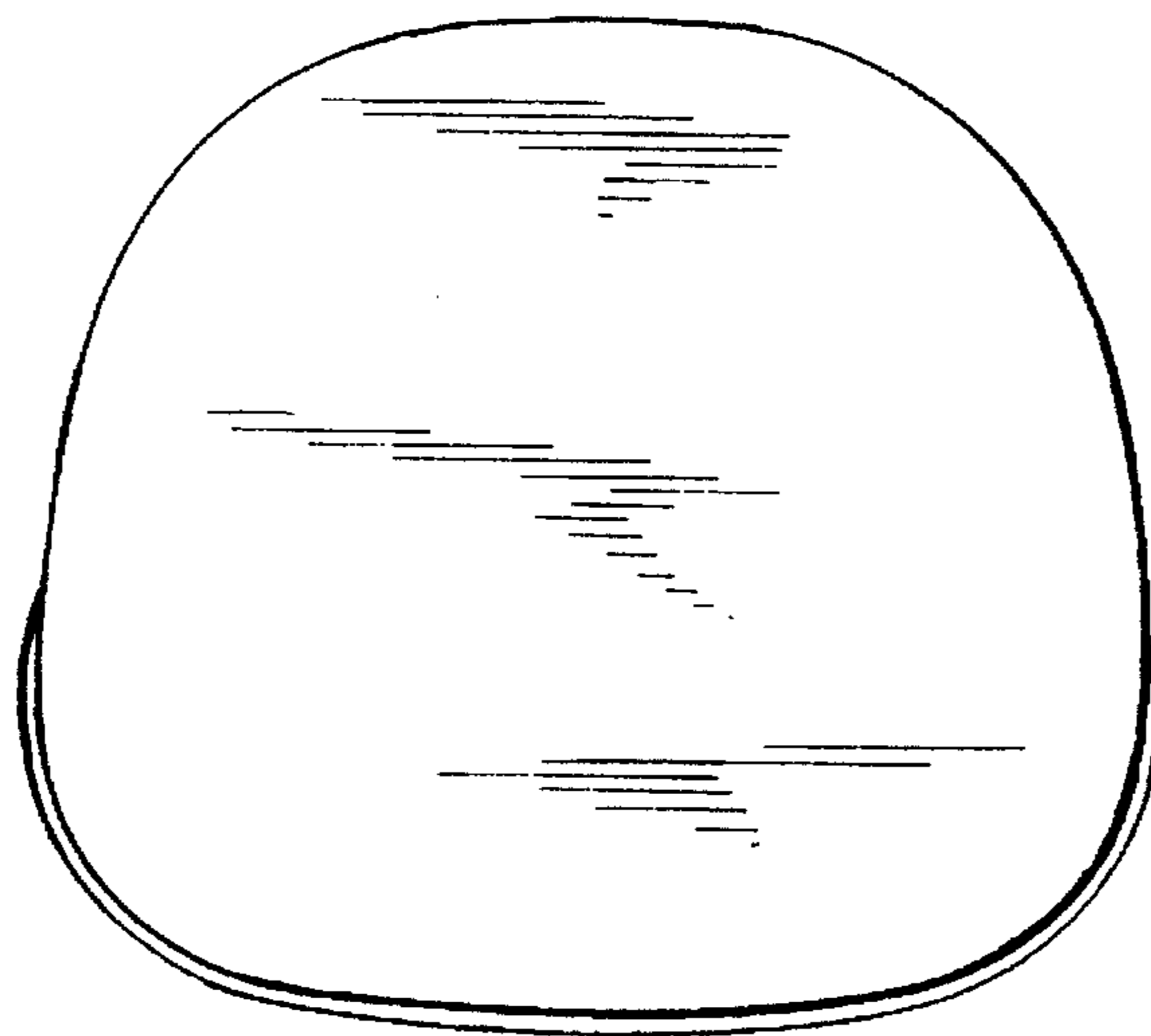


FIG. 6