



US00D373523S

United States Patent [19]

Carsello

[11] Patent Number: **Des. 373,523**

[45] Date of Patent: ****Sep. 10, 1996**

[54] CYLINDER LOCK HOUSING

[75] Inventor: **Anthony J. Carsello**, Chino, Calif.

[73] Assignee: **Emhart Inc.**, Newark, Del.

[**] Term: **14 Years**

[21] Appl. No.: **922,077**

[22] Filed: **Jul. 31, 1992**

[52] U.S. Cl. **D8/352**

[58] Field of Search D8/301, 302, 350,
D8/352, 344, 346; 70/158, 163, 448, 450,
452, 168

[56] References Cited

U.S. PATENT DOCUMENTS

D. 260,360	8/1981	Meisner .	
1,316,178	9/1919	Page	70/448
1,479,377	1/1924	Davis	70/452
1,500,168	7/1924	Voight	70/452
3,628,356	12/1971	Deahl	70/452
4,655,057	4/1987	Derman	70/168

OTHER PUBLICATIONS

TESA Catalog, 1984, p. 17 and cover.
Schlage Catalog, copyright 1988, pp. 4 and 5.
Kwikset Catalog, copyright 1988, pp. 16 and 17.

Primary Examiner—B. J. Bullock
Attorney, Agent, or Firm—Spencer T. Smith

[57] CLAIM

The ornamental design for a cylinder lock housing, as shown and described.

DESCRIPTION

FIG. 1 is a front view of my new design of a cylinder lock housing;

FIG. 2 is a right side view of my new design of the cylinder lock housing, a left side view being a mirror image thereof;

FIG. 3 is a top view of my new design of the cylinder lock housing, a bottom view being a mirror image thereof; and,

FIG. 4 is a perspective view of my new design of the cylinder lock housing.

1 Claim, 1 Drawing Sheet

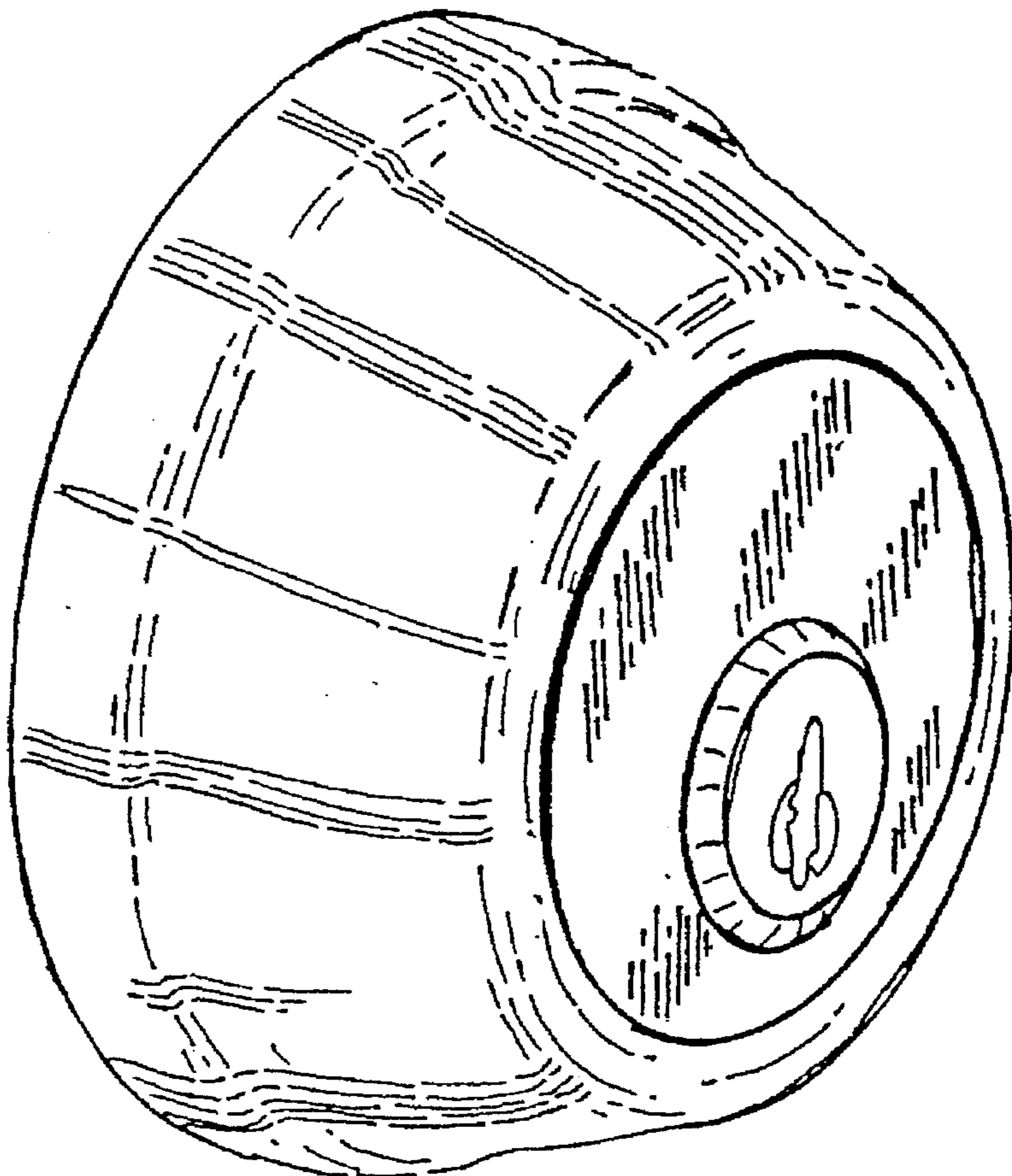


FIG. 1

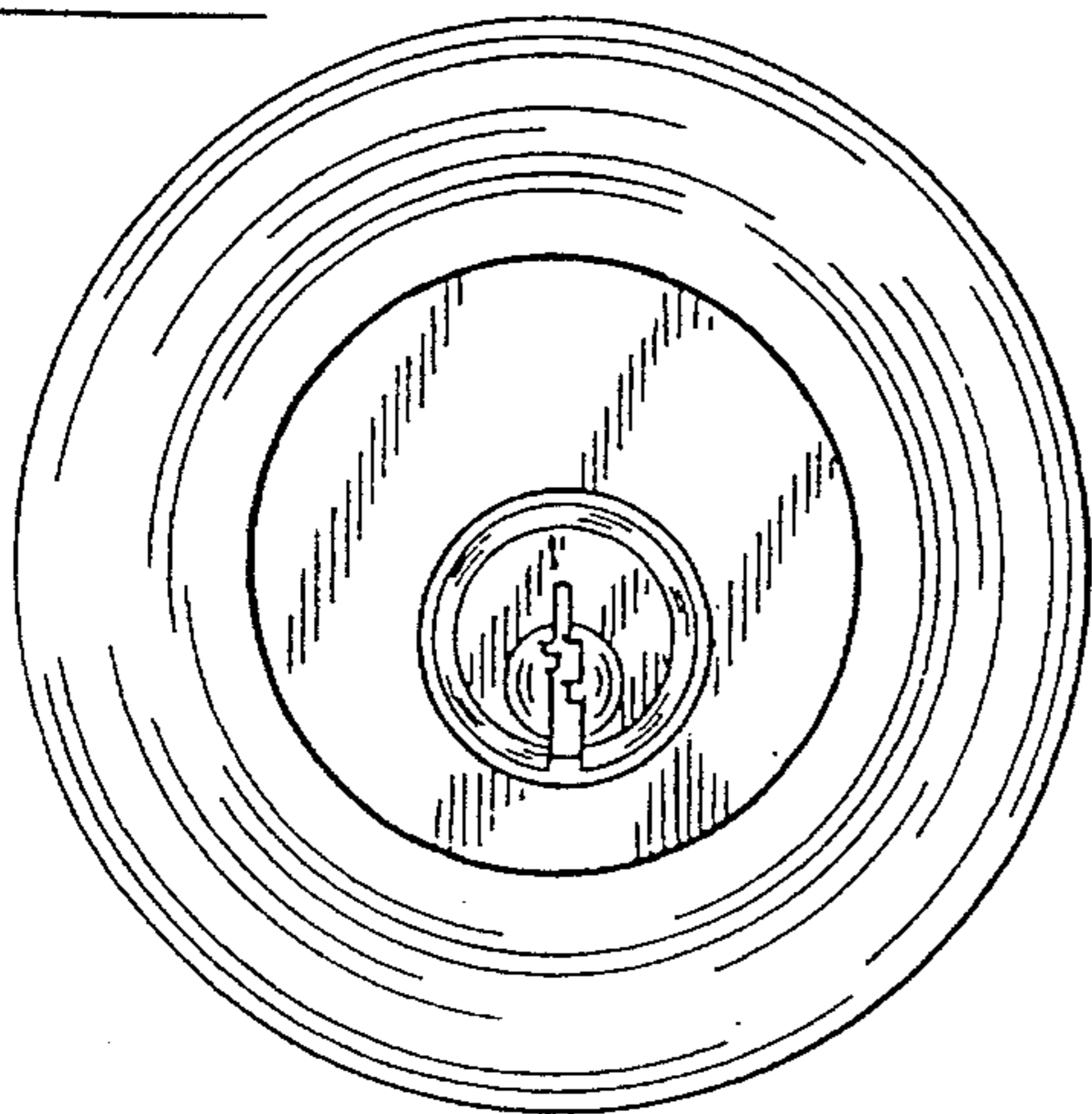


FIG. 2

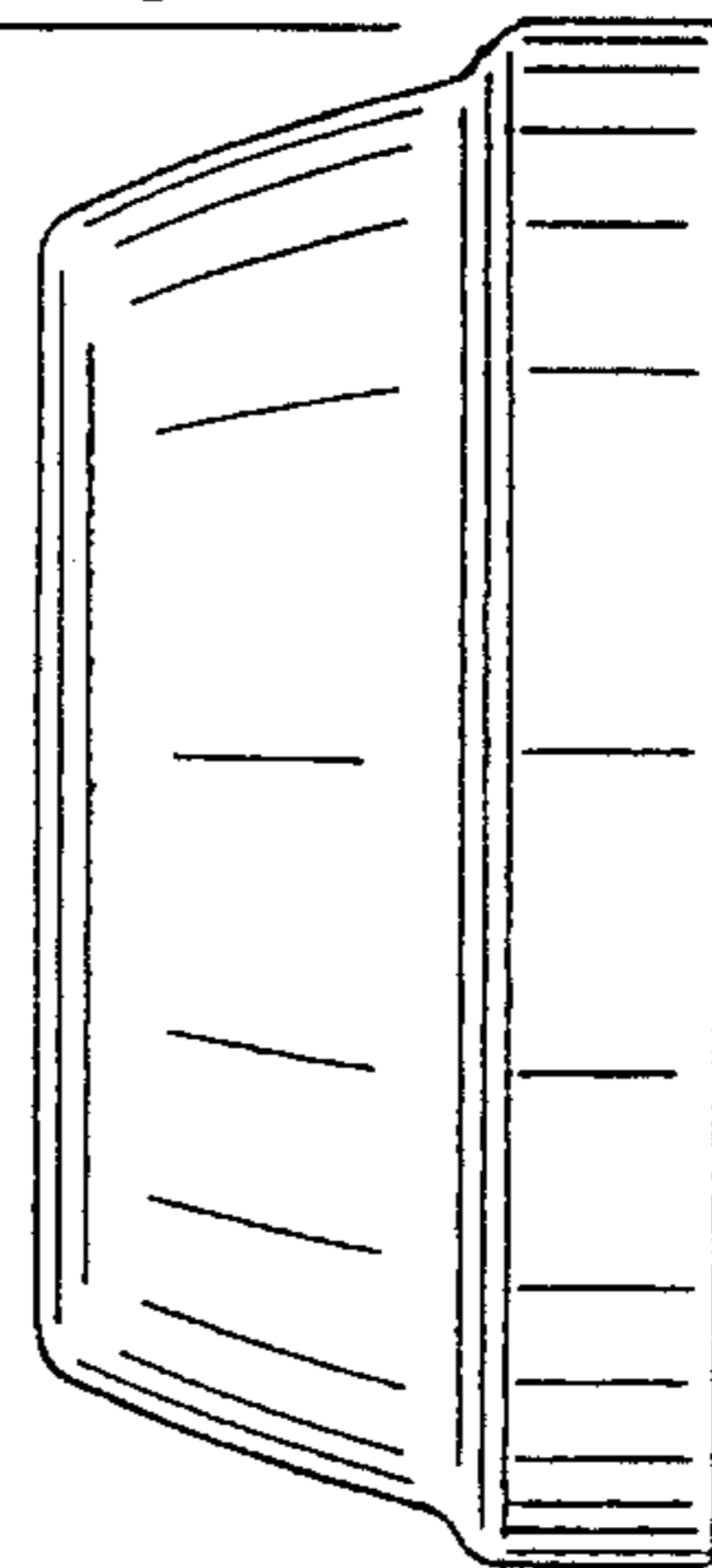


FIG. 3

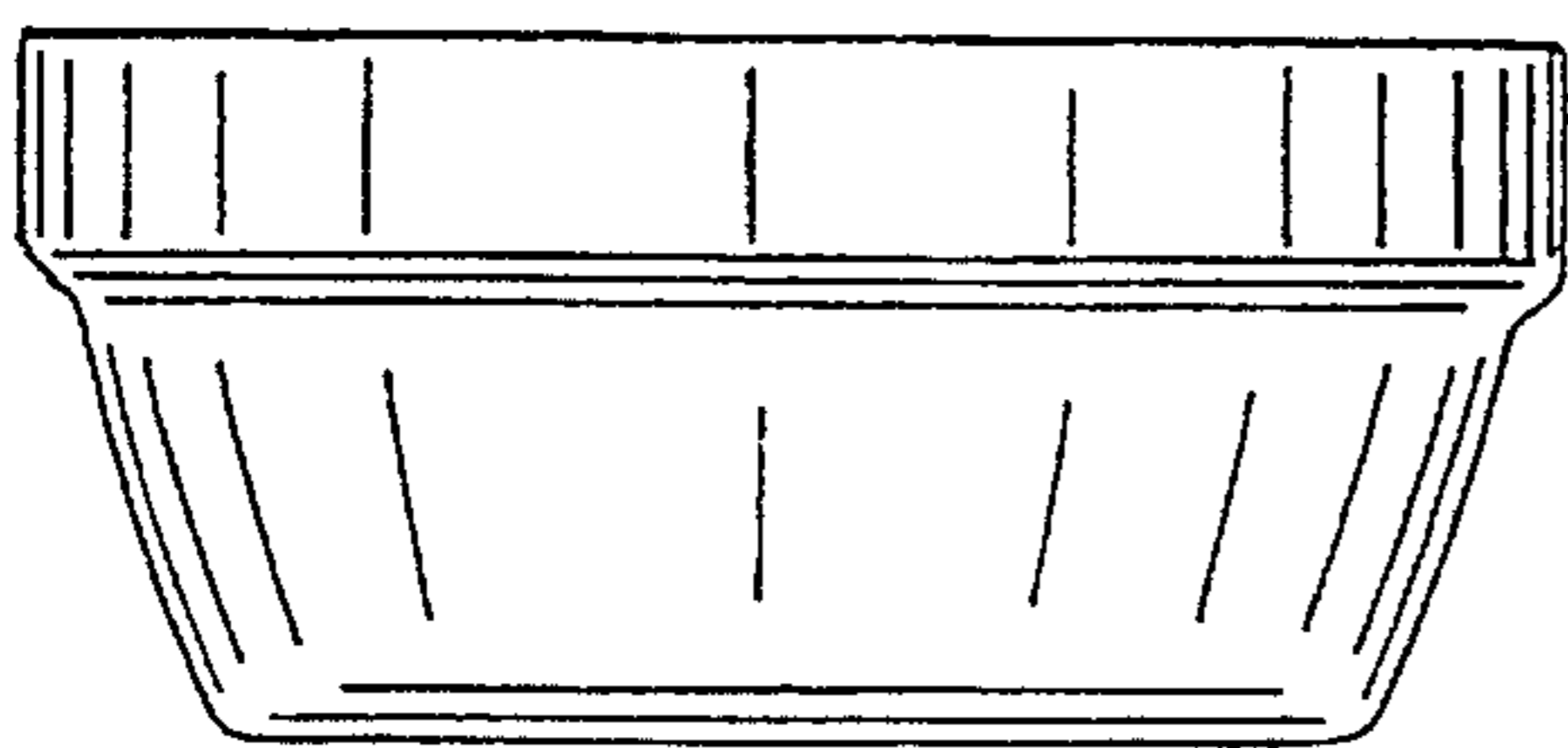


FIG. 4

