



US00D373518S

# United States Patent [19]

[11] Patent Number: **Des. 373,518**

Multala

[45] Date of Patent: **\*\*Sep. 10, 1996**

[54] **LOW COST DETAIL S SANDING MACHINE ACCESSORY**

*Primary Examiner*—B. J. Bullock  
*Assistant Examiner*—Robert M. Spear

[76] Inventor: **Pentti V. Multala**, 49 Amsden Dr., Rochester, N.Y. 14623

[57] **CLAIM**

[\*\*] Term: **14 Years**

The ornamental design for a low cost detail S sanding machine accessory, as shown and described.

[21] Appl. No.: **31,694**

[22] Filed: **Dec. 2, 1994**

**DESCRIPTION**

[52] U.S. Cl. .... **D8/70**

[58] Field of Search ..... D8/62, 70; D15/126; 451/66, 108, 124, 162, 163, 164, 357, 906, 913, 921

[56] **References Cited**

**U.S. PATENT DOCUMENTS**

D. 162,895	4/1951	Spahn	.....	D8/30
D. 289,253	4/1987	Super	.....	D8/71
D. 337,501	7/1993	Witt	.....	D8/70
D. 343,104	1/1994	Hoshino	.....	D8/62
5,123,216	6/1992	Kloss et al.	.....	51/170 MT

**OTHER PUBLICATIONS**

Heat gun baffle Part No. A-203-HG, illustration center of of p. 4, *Master Flameless Heat Tools Catalog*, ©1969. Straight & Circle Guide #76-230, *Black & Decker Catalog* #10418, ©1985, p. 136.

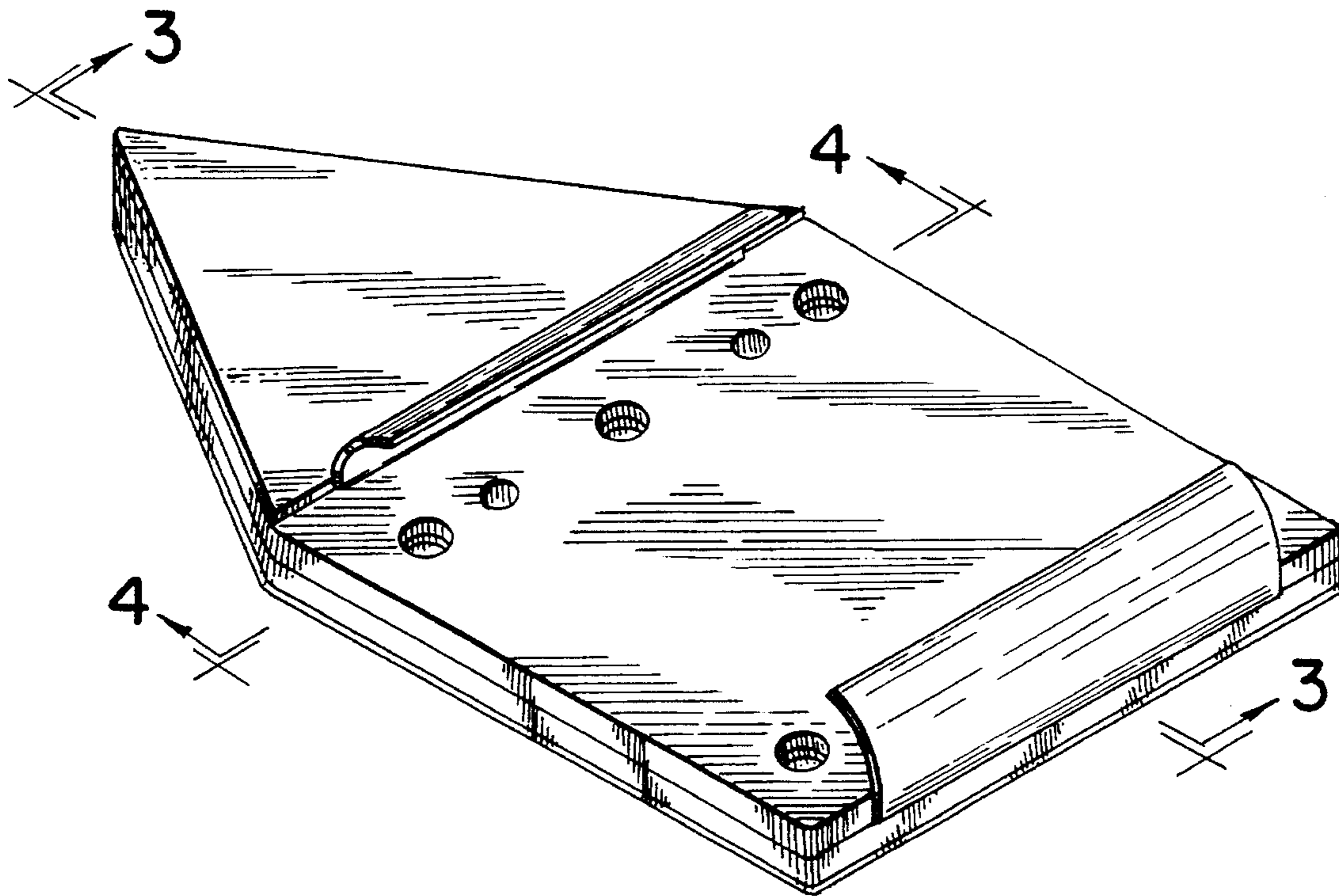
FIG. 1 is a perspective view taken from the top, rear and left side of a low cost detail S sanding machine accessory, showing my new design;

FIG. 2 is a perspective view taken from the bottom, front and right side thereof;

FIG. 3 is cross sectional view taken on line 3—3 of FIG. 1; and,

FIG. 4 is a cross sectional view taken on line 4—4 of FIG. 1.

**1 Claim, 1 Drawing Sheet**



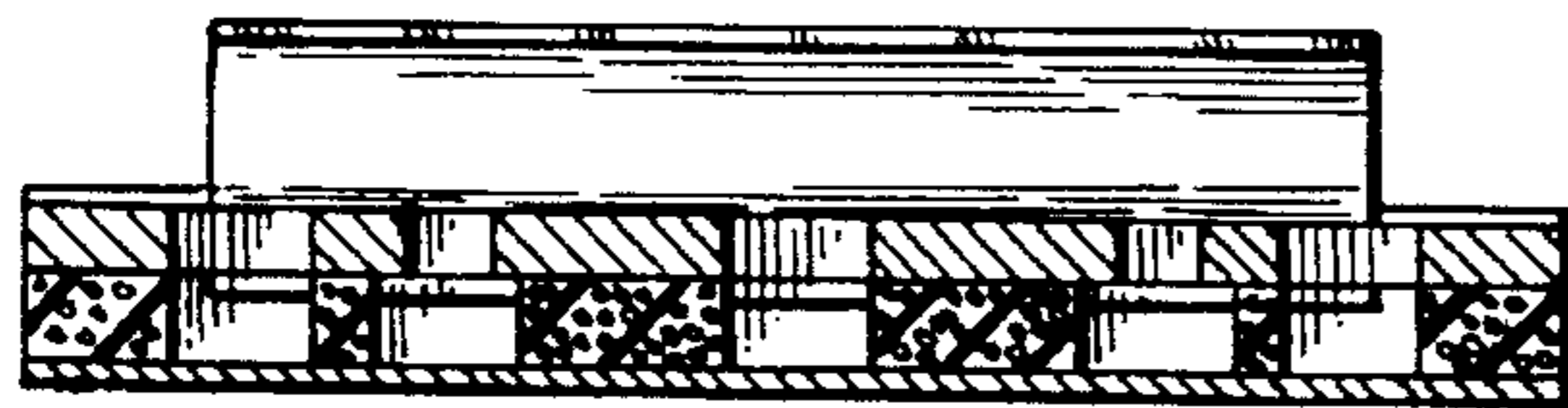
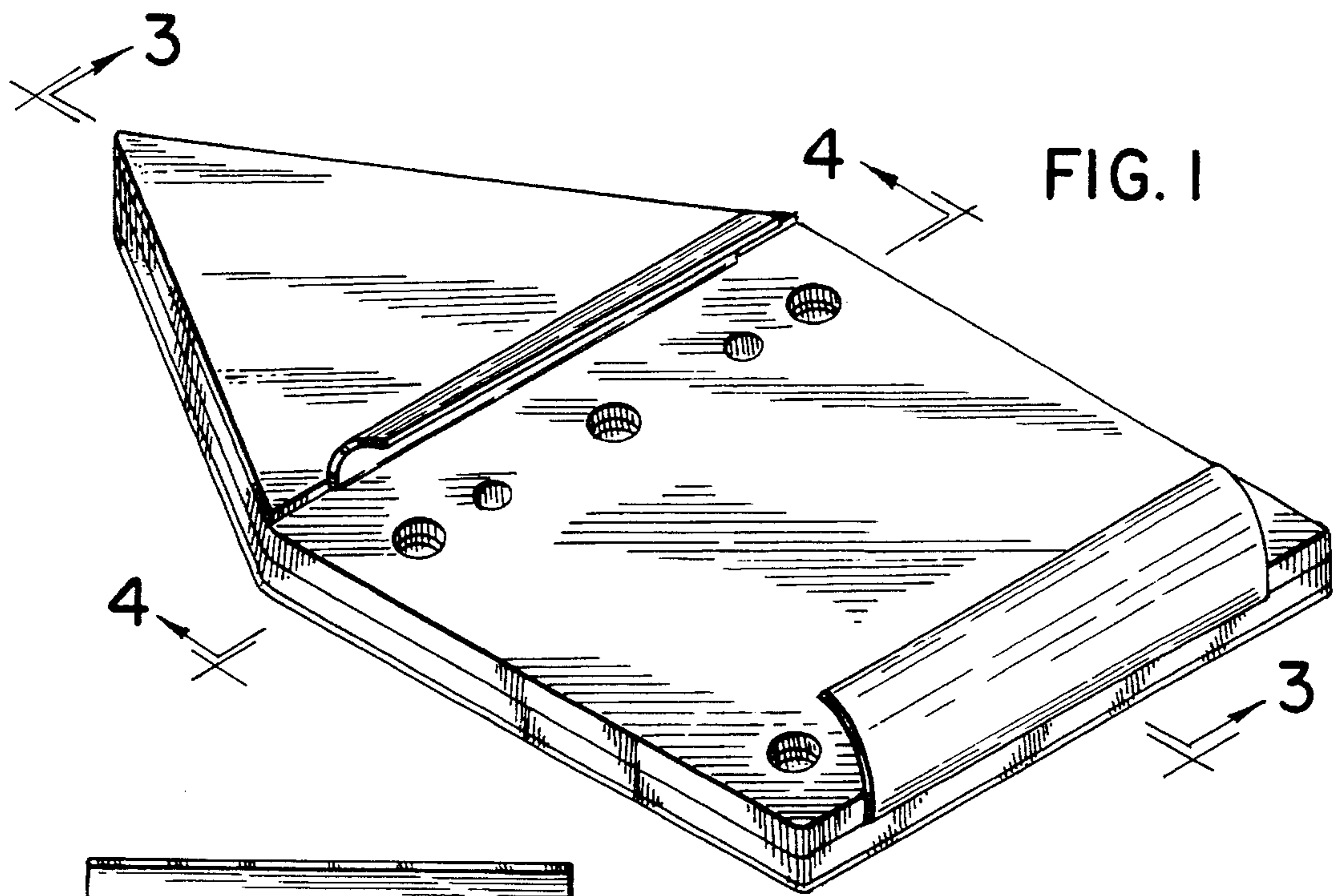


FIG. 4

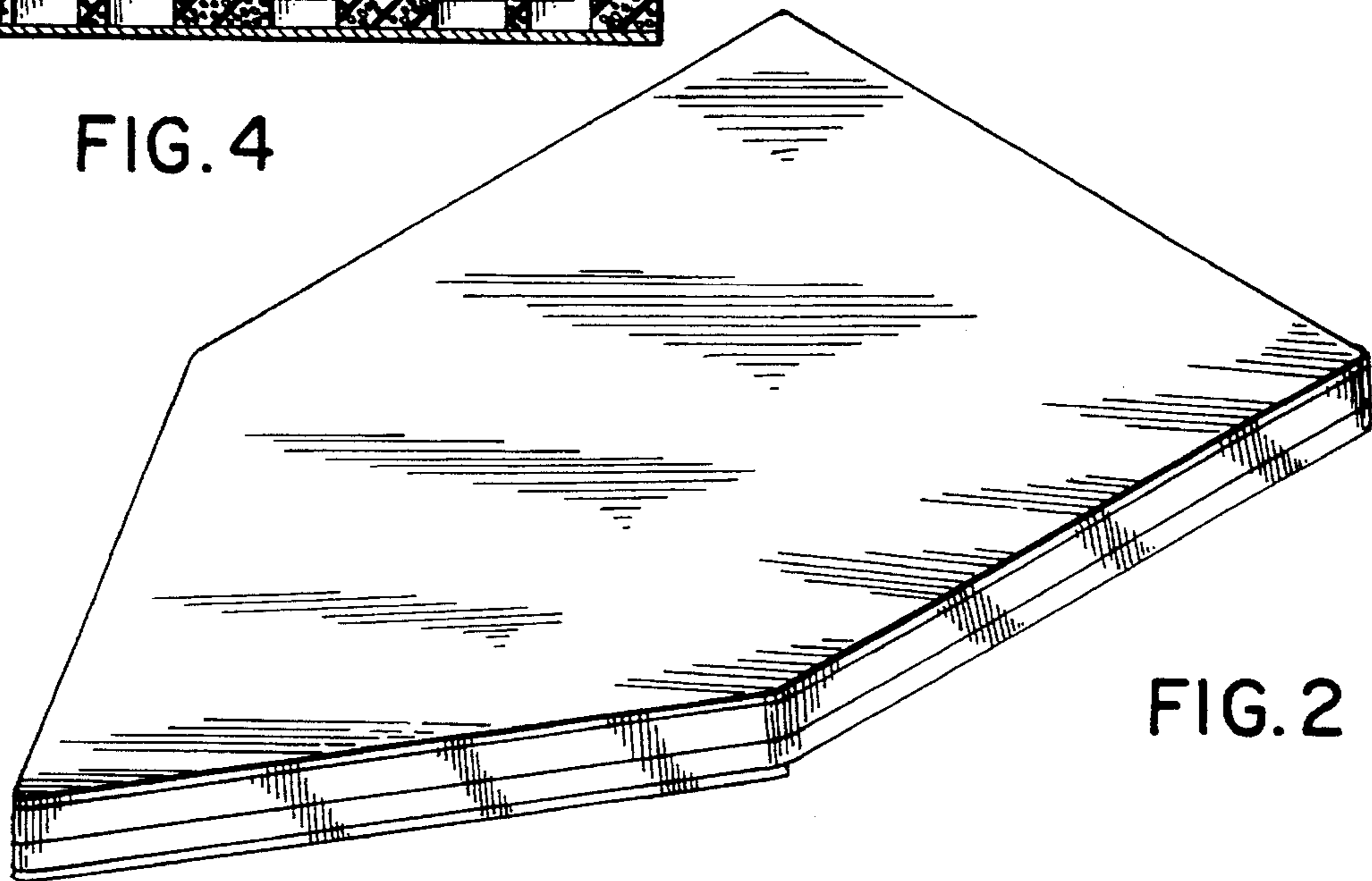


FIG. 2

FIG. 3

