



US00D373517S

# United States Patent [19]

Tuchscherer et al.

[11] Patent Number: **Des. 373,517**

[45] Date of Patent: **\*\*Sep. 10, 1996**

[54] **TORTILLA FRY FORK**

[76] Inventors: **Gregory J. Tuchscherer**, N1054 Hwy. H, Fremont, Wis. 54940; **James A. Heiman**, 116 Adella Beach Rd., Neenah, Wis. 54956

[\*\*] Term: **14 Years**

[21] Appl. No.: **40,587**

[22] Filed: **Jun. 22, 1995**

[52] U.S. Cl. .... **D7/683**

[58] Field of Search ..... D7/683-696; 30/322, 30/323; 99/419, 421 A, 421 H; 294/50

[56] **References Cited**

**U.S. PATENT DOCUMENTS**

2,629,313 2/1953 Norville, Jr. et al. .... D7/683 X

2,815,706 12/1957 Weinberger ..... D7/683 X  
3,628,819 12/1971 Fowler ..... D7/683 X  
4,809,435 3/1989 Printz ..... 30/322 X

*Primary Examiner*—Terry A. Wallace

[57] **CLAIM**

The ornamental design for tortilla fry fork, as shown and described.

**DESCRIPTION**

FIG. 1 is a front elevational view of tortilla fry fork, our new design;  
FIG. 2 is a rear elevational view thereof;  
FIG. 3 is a left side elevational view thereof;  
FIG. 4 is a right side elevational view thereof;  
FIG. 5 is a top elevational view thereof; and,  
FIG. 6 is a bottom elevational view thereof.

**1 Claim, 3 Drawing Sheets**

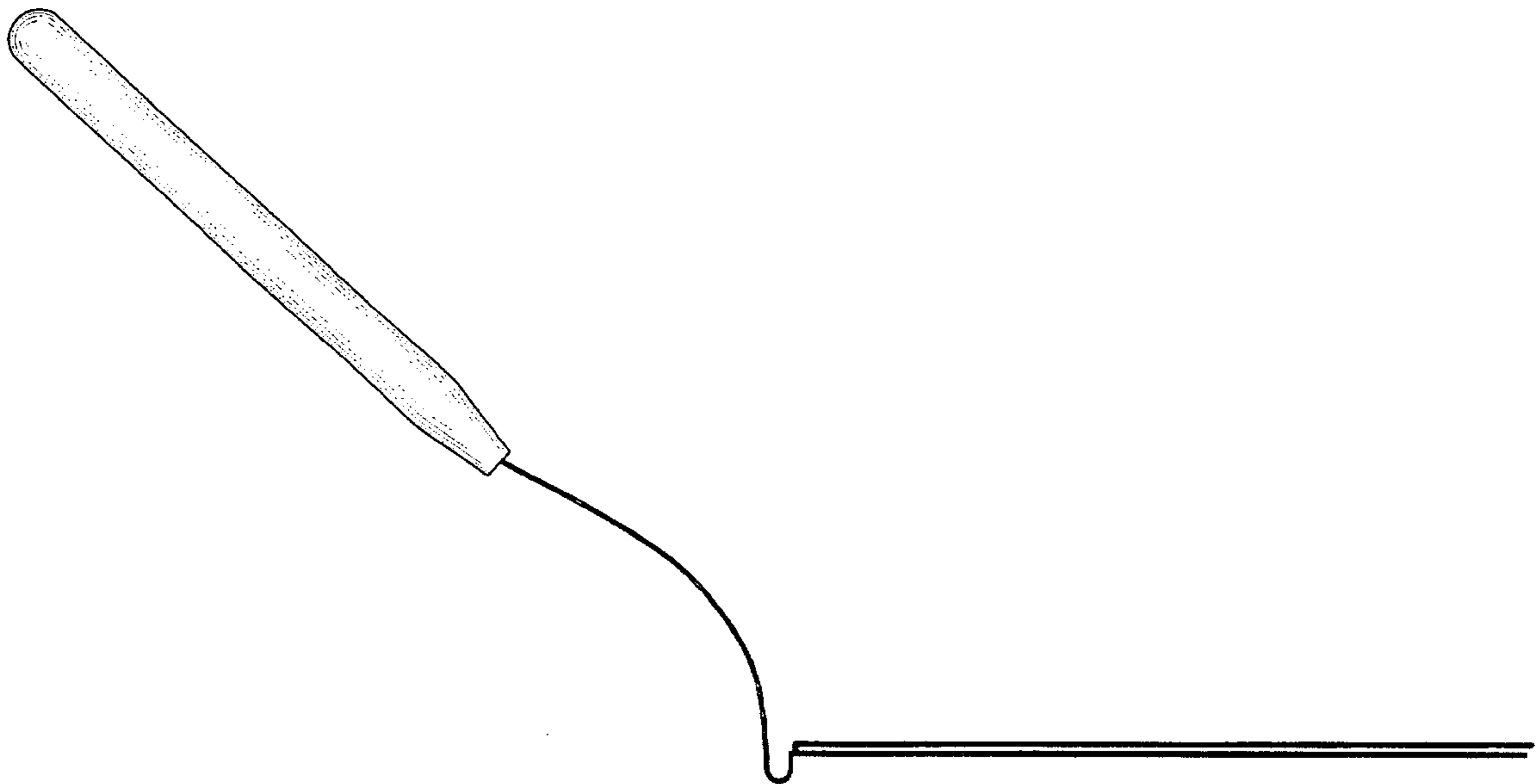


FIG. 1

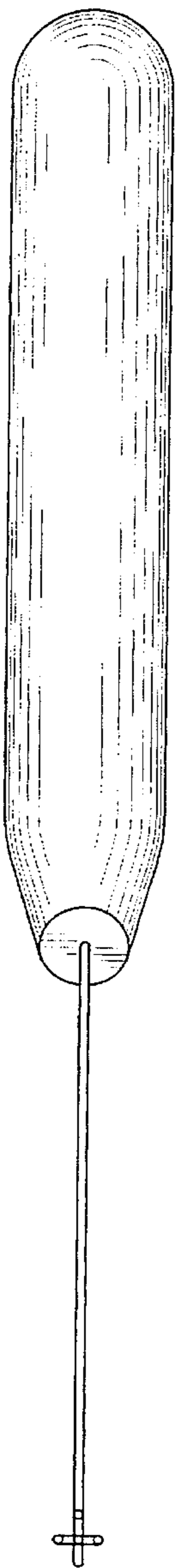


FIG. 2

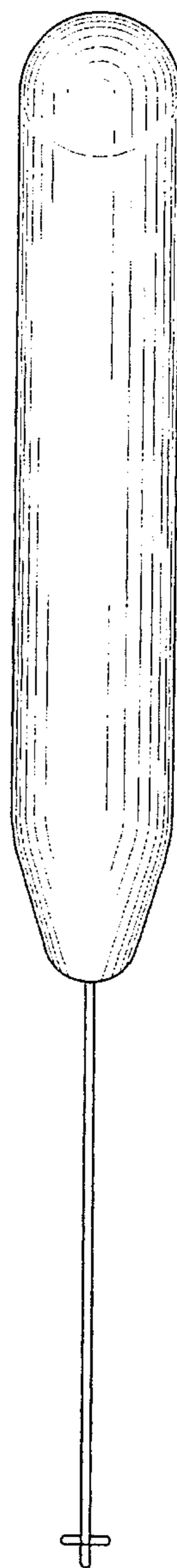


FIG. 3

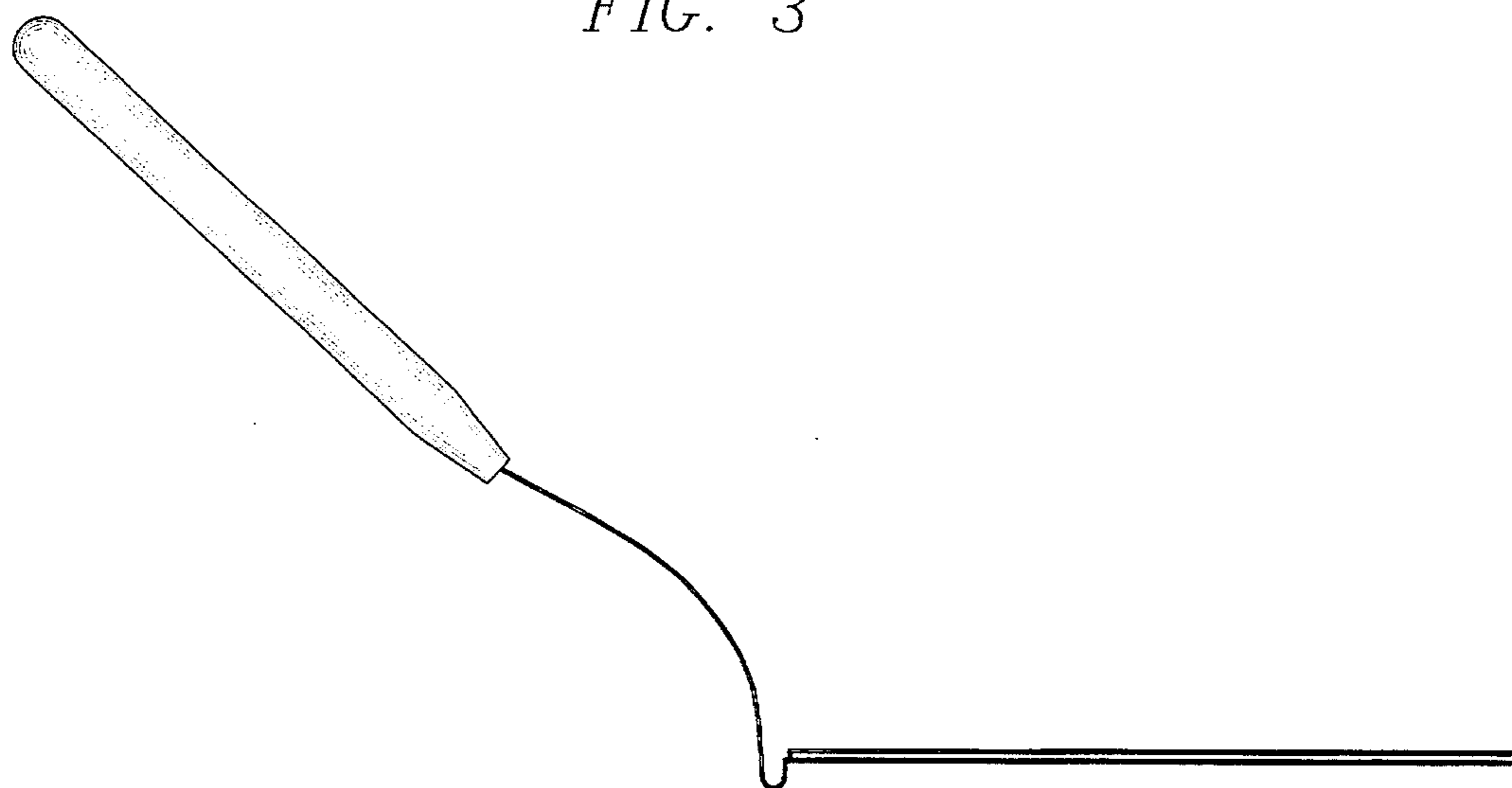


FIG. 4

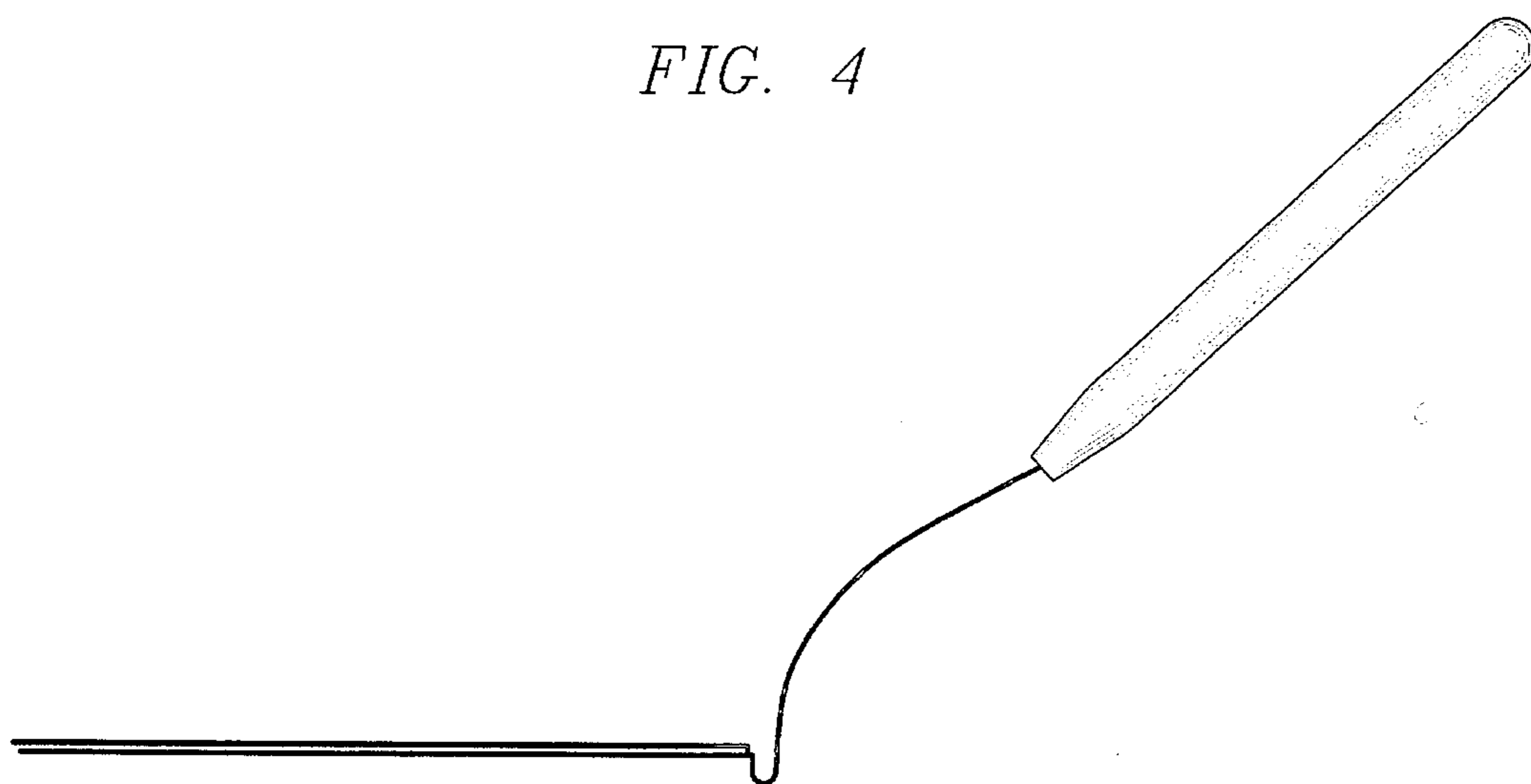


FIG. 5

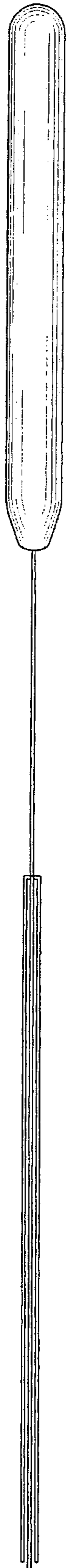


FIG. 6

