



US00D373516S

United States Patent [19]

[11] Patent Number: **Des. 373,516**

Curcio

[45] Date of Patent: ****Sep. 10, 1996**

[54] **NAPKIN HOLDER**

Primary Examiner—Terry A. Wallace
Attorney, Agent, or Firm—Harold H. Dutton, Jr.; W. C. L. Jamison; Diane F. Liebman

[76] Inventor: **Michael Curcio**, 9404 Nelson La.,
Manassas, Va. 22110

[**] Term: **14 Years**

[57] **CLAIM**

The ornamental Design for a napkin holder, as shown and described.

[21] Appl. No.: **46,579**

[22] Filed: **Oct. 6, 1995**

[52] **U.S. Cl.** **D7/631**

[58] **Field of Search** D7/631, 632; 211/49.1,
211/51, 13

DESCRIPTION

FIG. 1 is a perspective view of a napkin holder showing my new design;

FIG. 2 is a front view thereof;

The rear view is a mirror image of the front view;

FIG. 3 is a right side view thereof;

The left side is a mirror image of the right side;

FIG. 4 is a top view thereof; and,

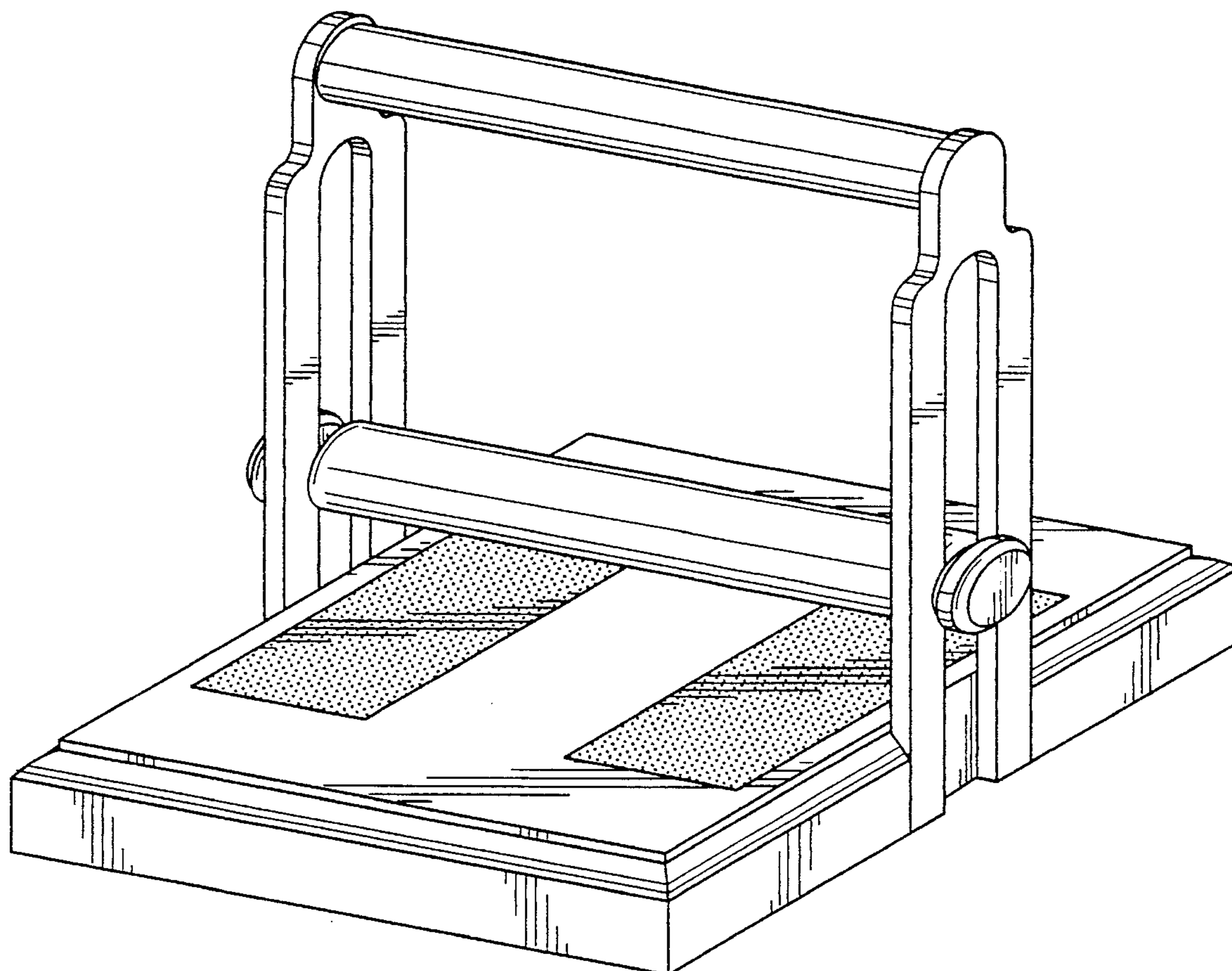
FIG. 5 is a bottom view thereof.

[56] **References Cited**

U.S. PATENT DOCUMENTS

D. 178,655	9/1956	Fresco	D7/631
D. 204,294	4/1966	Kennedy	D7/631
D. 234,999	4/1975	Stewart	D7/631
3,473,672	10/1969	Fincher	211/51

1 Claim, 3 Drawing Sheets



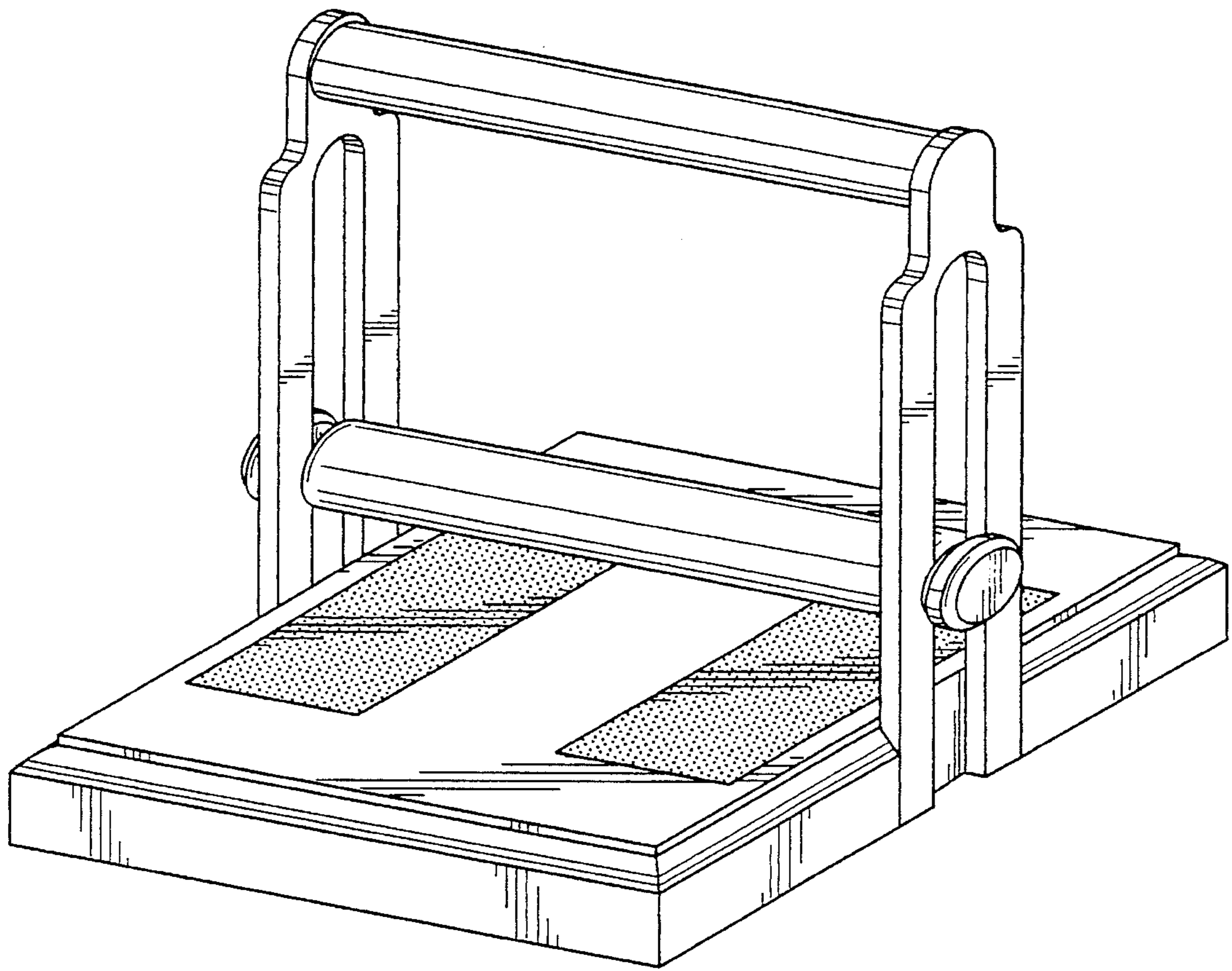


FIG. 1

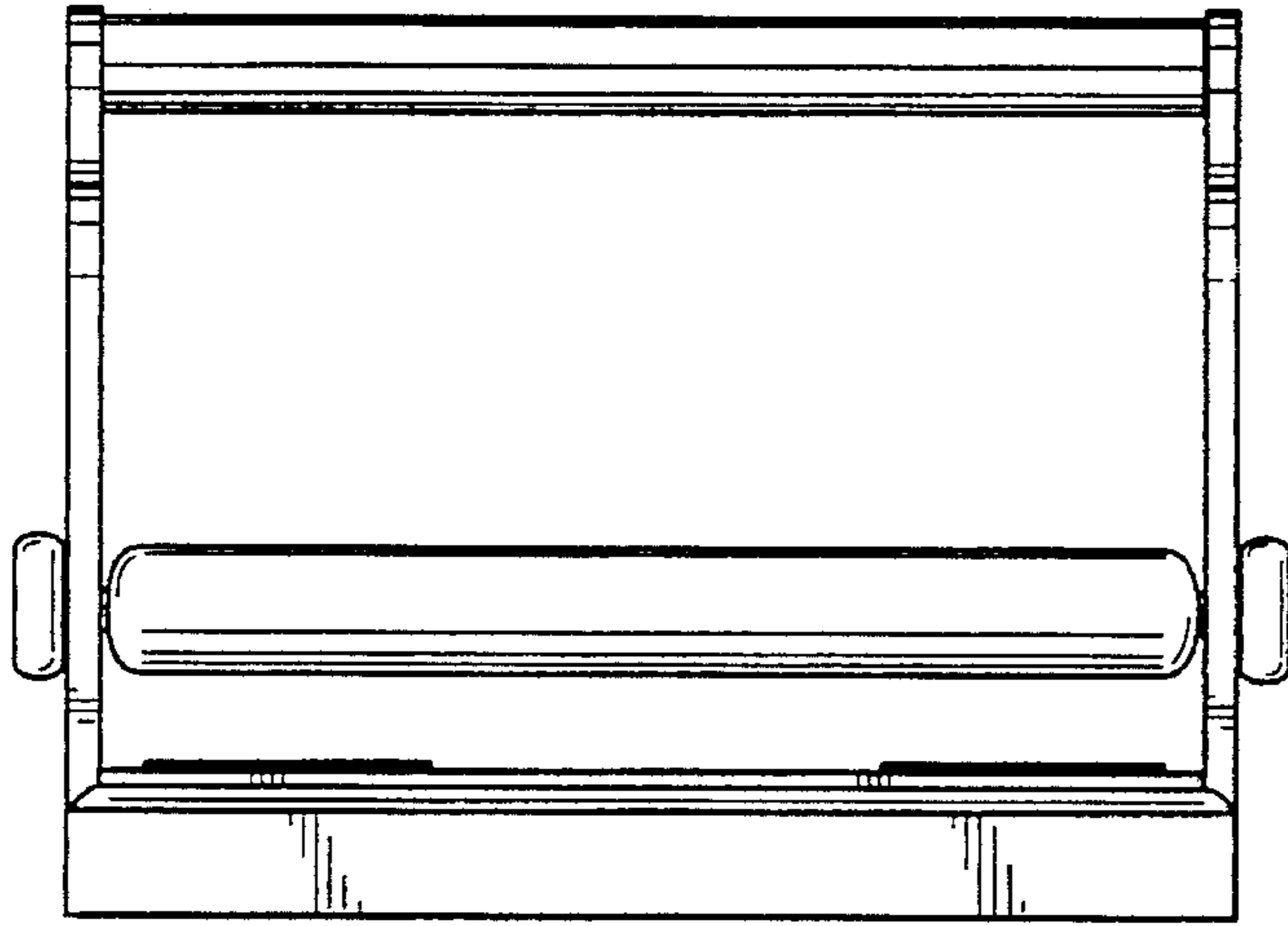


FIG. 2

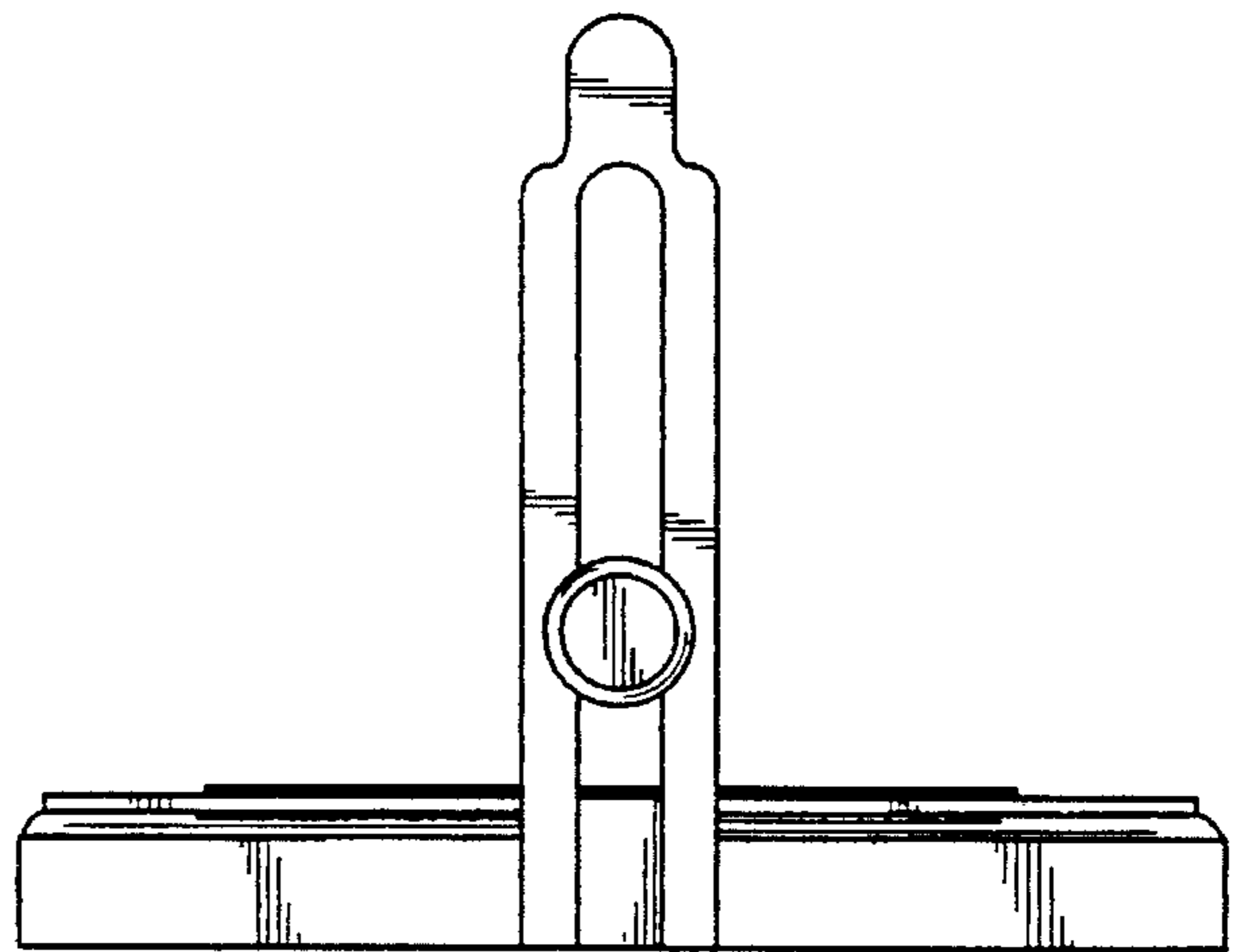


FIG. 3

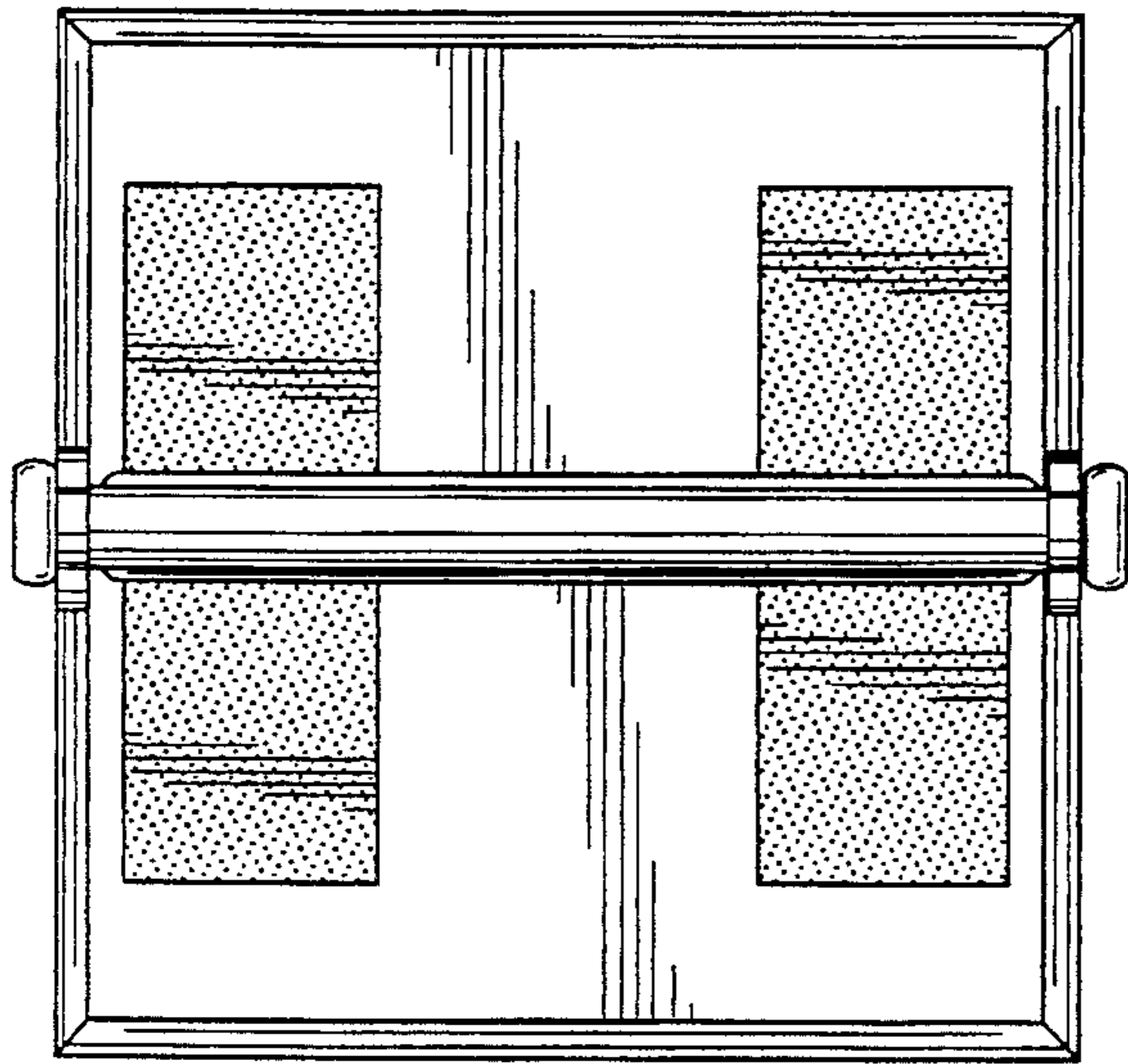


FIG. 4

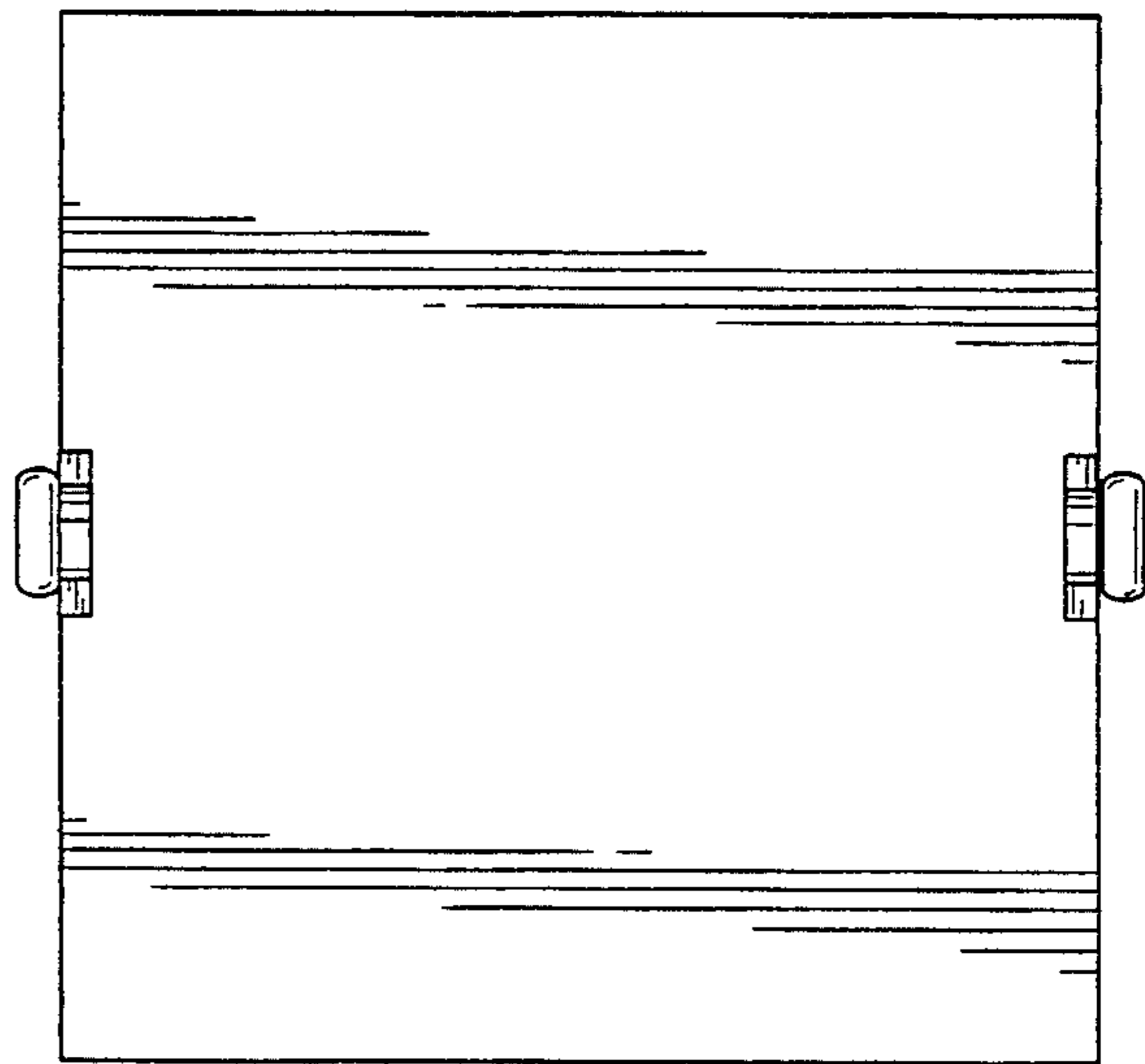


FIG. 5