



US00D373514S

United States Patent [19] Melk

[11] Patent Number: **Des. 373,514**

[45] Date of Patent: ****Sep. 10, 1996**

[54] FLEXIBLE COOLER

[75] Inventor: **Thomas J. Melk**, Chicago, Ill.

[73] Assignee: **Outer Circle Products, Ltd.**, Chicago, Ill.

[**] Term: **14 Years**

[21] Appl. No.: **40,670**

[22] Filed: **Jun. 22, 1995**

[52] U.S. Cl. **D7/607; D3/287; D3/301**

[58] Field of Search **D7/605-607; D3/273, D3/276, 283, 287, 268, 301; 62/371, 457.1, 457.7; 150/107, 118, 119, 901; 206/541, 545, 548, 549; 220/410, 412; 383/6, 109, 110, 113**

D. 340,840	11/1993	Melk .
D. 343,992	2/1994	Melk .
4,210,186	7/1980	Belenson .
4,334,601	6/1982	Davis .
4,537,313	8/1985	Workman .
4,598,746	7/1986	Rabinowitz .
4,767,039	8/1988	Jacober .
4,805,777	2/1989	Namgyal et al. .
5,403,095	4/1995	Melk .

Primary Examiner—Terry A. Wallace
Attorney, Agent, or Firm—Trexler, Bushnell, Giangiorgi & Blackstone, Ltd.

[57] CLAIM

The ornamental design for a flexible cooler, as shown.

DESCRIPTION

FIG. 1 is a perspective view of the flexible cooler showing the design;
FIG. 2 is a top plan view thereof;
FIG. 3 is a front elevational view thereof;
FIG. 4 is a bottom plan view thereof;
FIG. 5 is a rear elevational view thereof;
FIG. 6 is a left side elevational view thereof; and,
FIG. 7 is a right side elevational view thereof.

1 Claim, 4 Drawing Sheets

[56] References Cited

U.S. PATENT DOCUMENTS

D. 244,723	6/1977	Rabinowitz .
D. 273,533	4/1984	Weinreb .
D. 284,715	7/1986	Jacober et al. .
D. 299,406	1/1989	Jacober .
D. 328,550	8/1992	Mogil et al. .
D. 340,387	10/1993	Melk .
D. 340,621	10/1993	Melk .

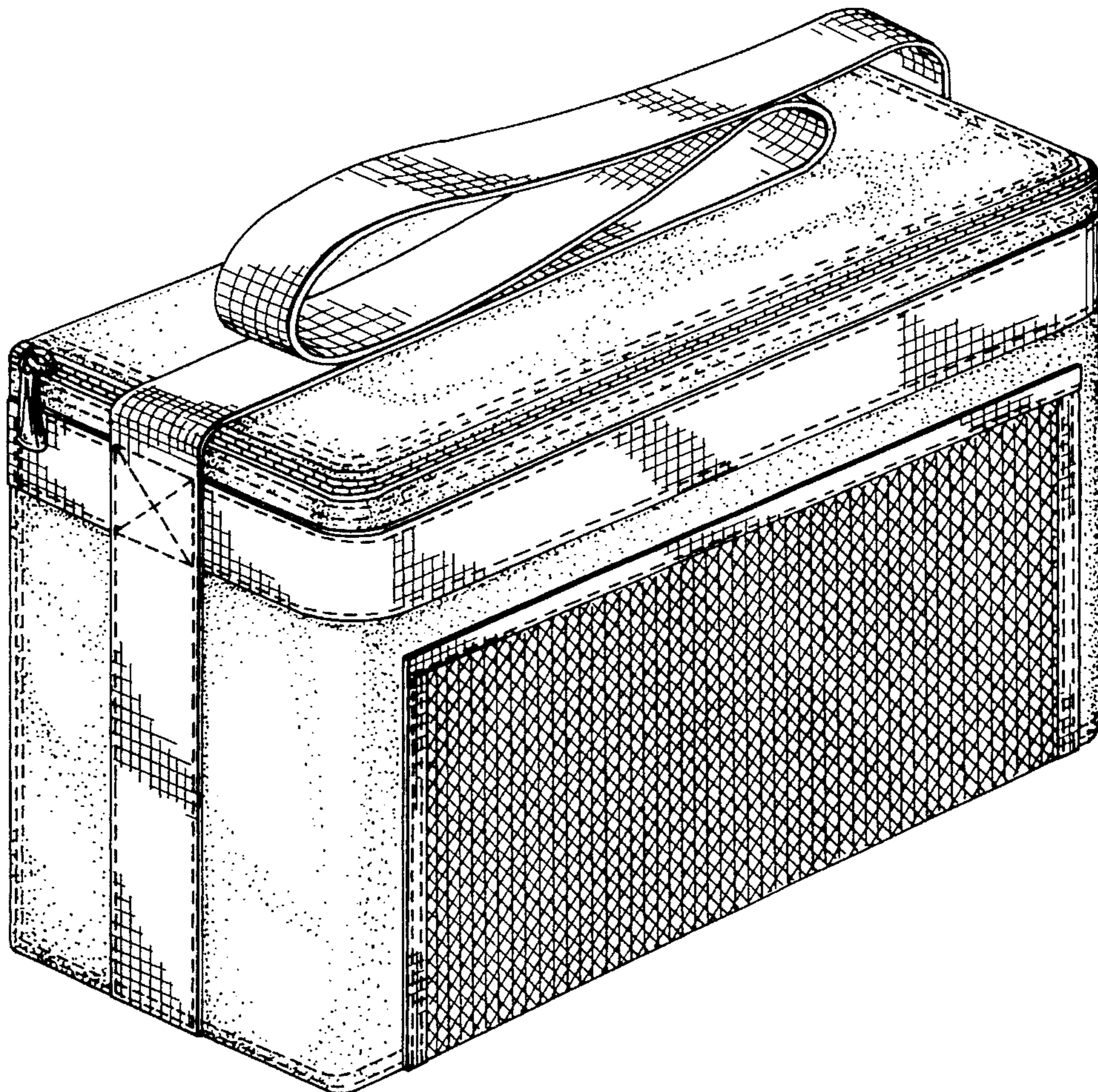


FIG. 1

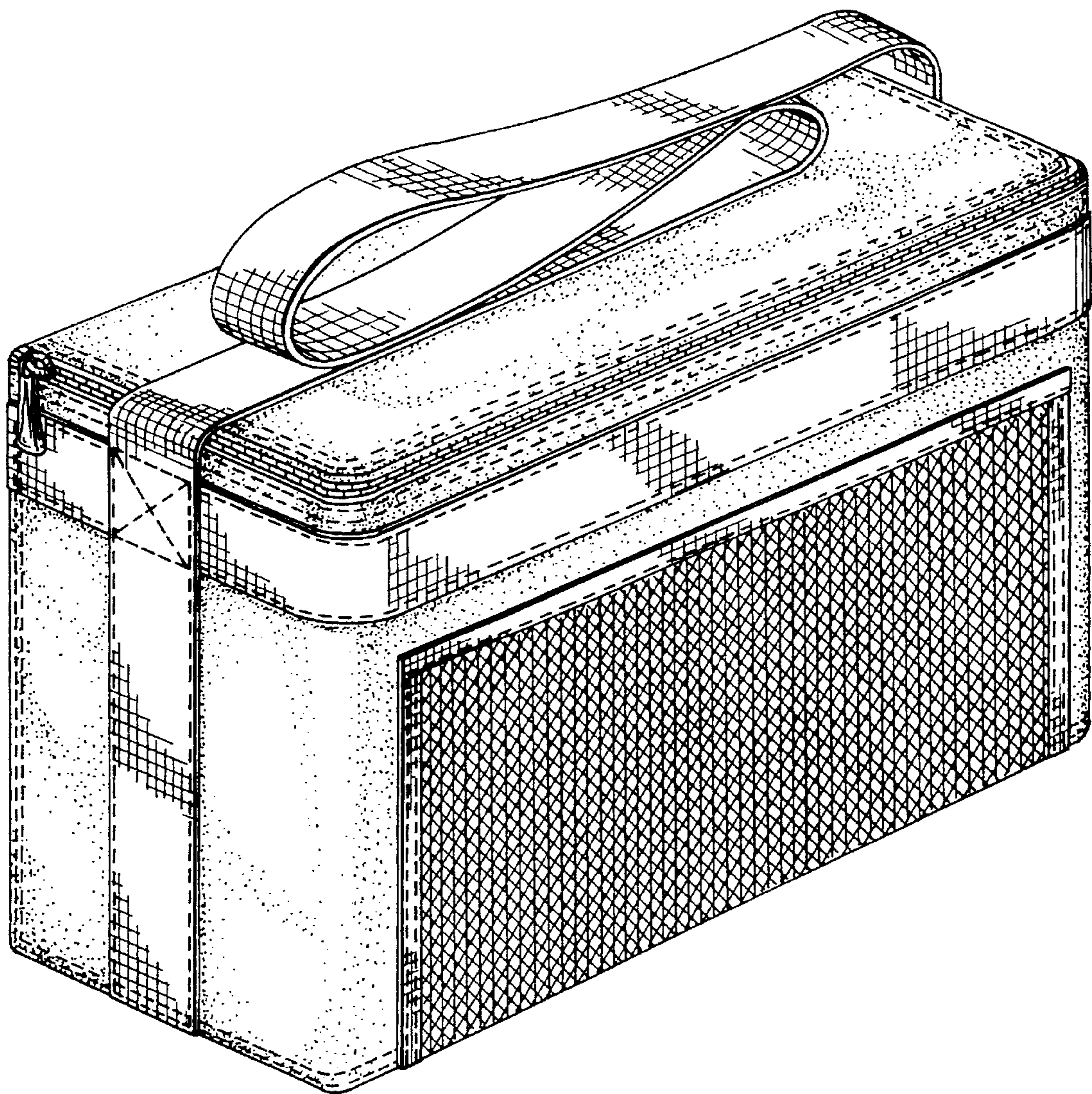


FIG. 2

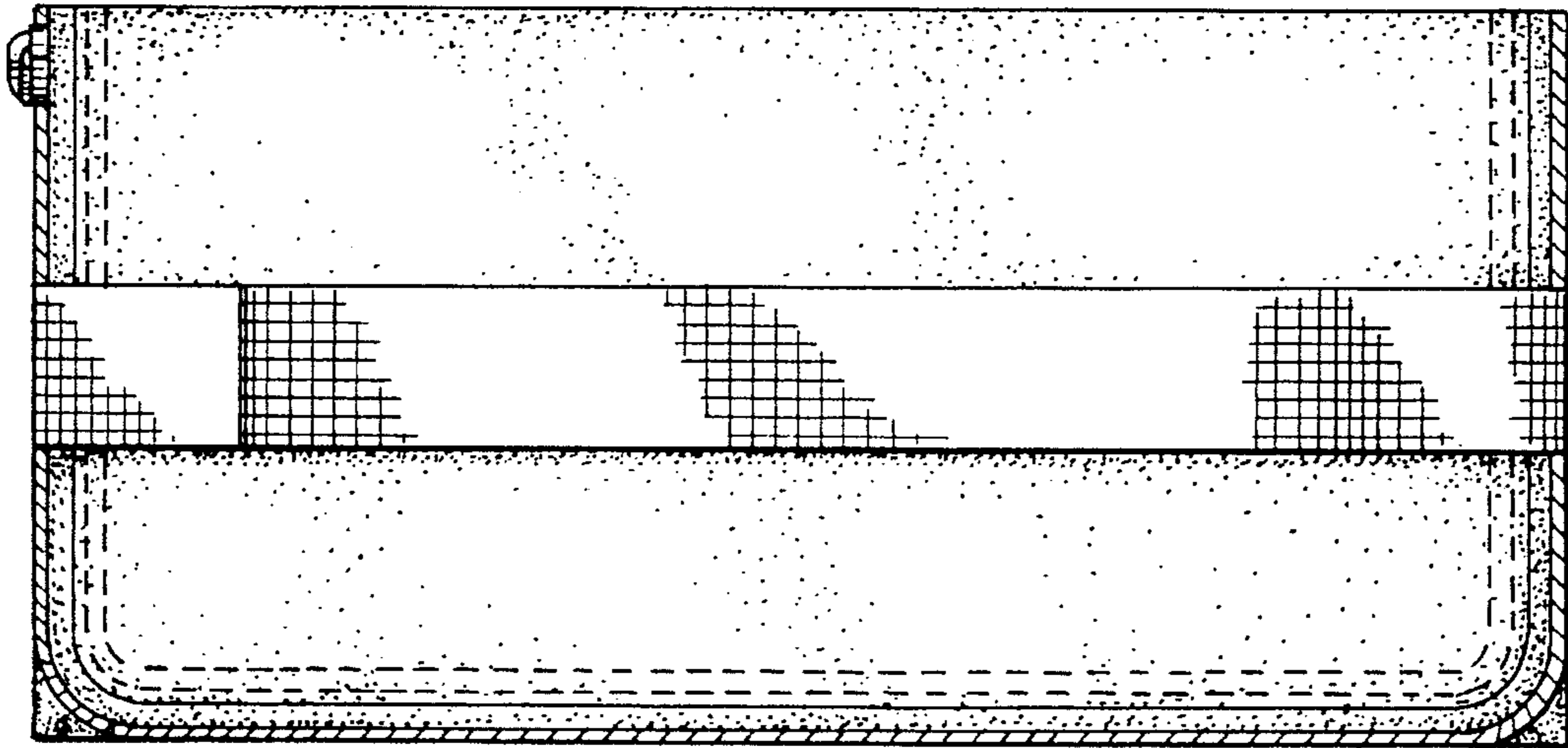


FIG. 3

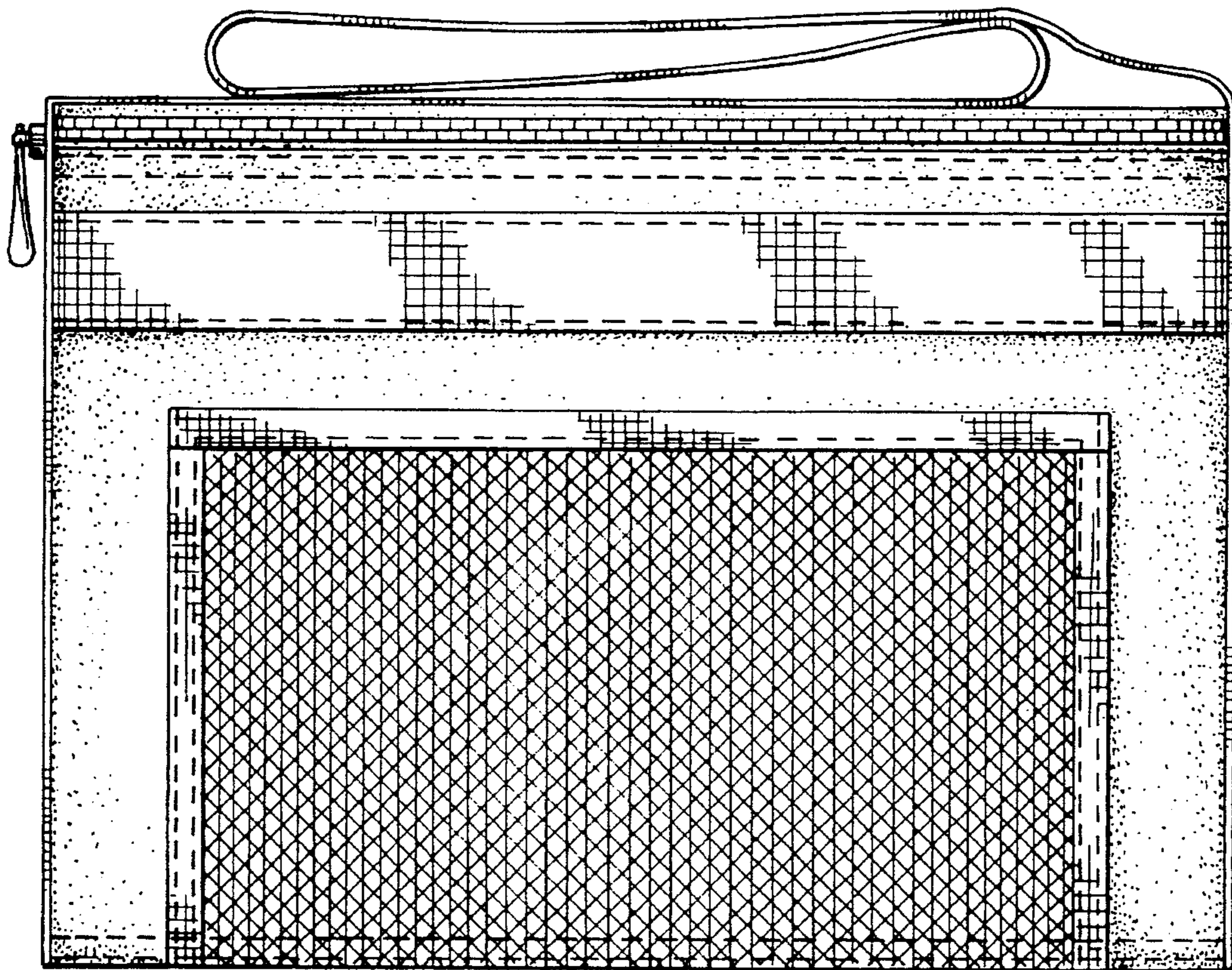


FIG. 4

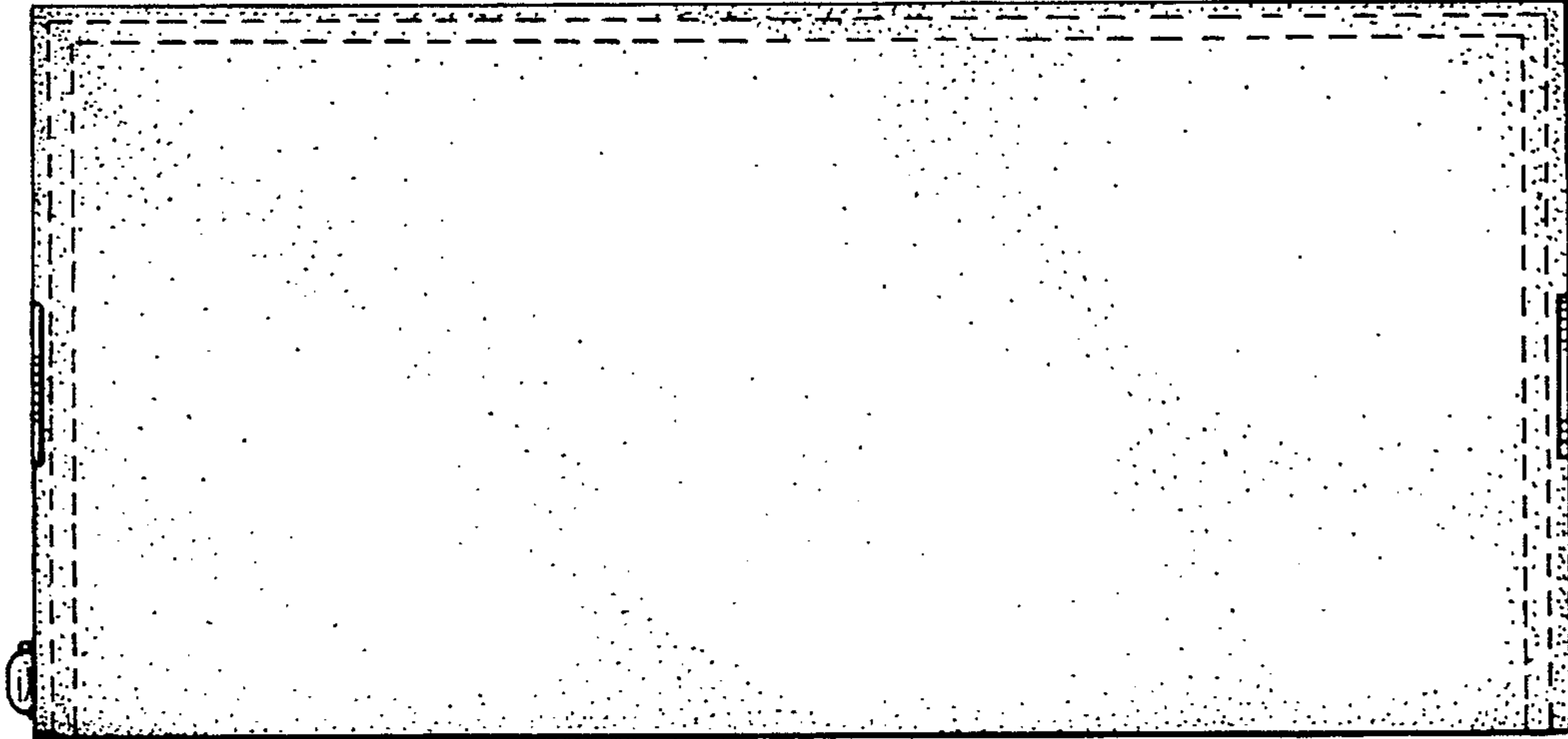


FIG. 5

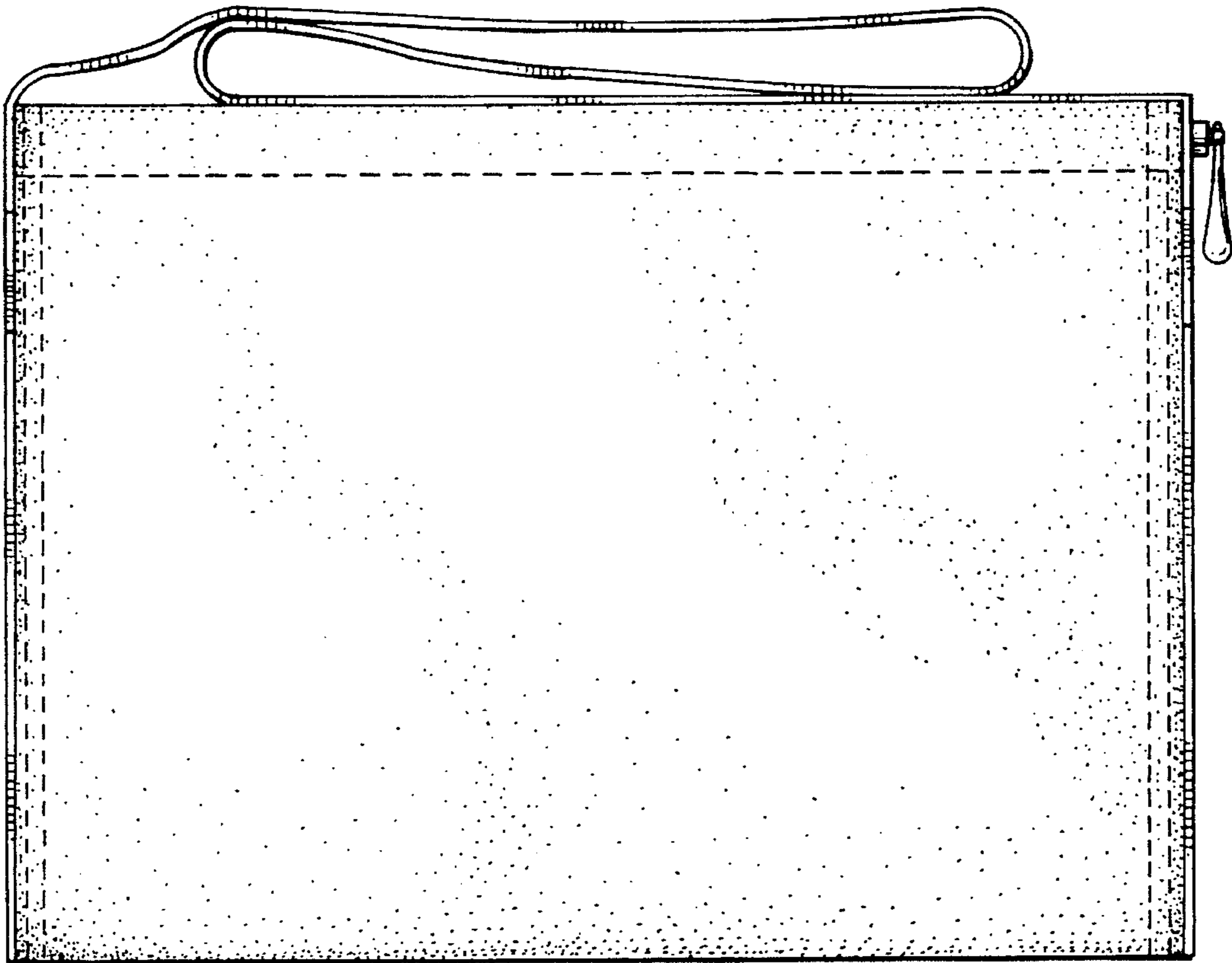


FIG. 6

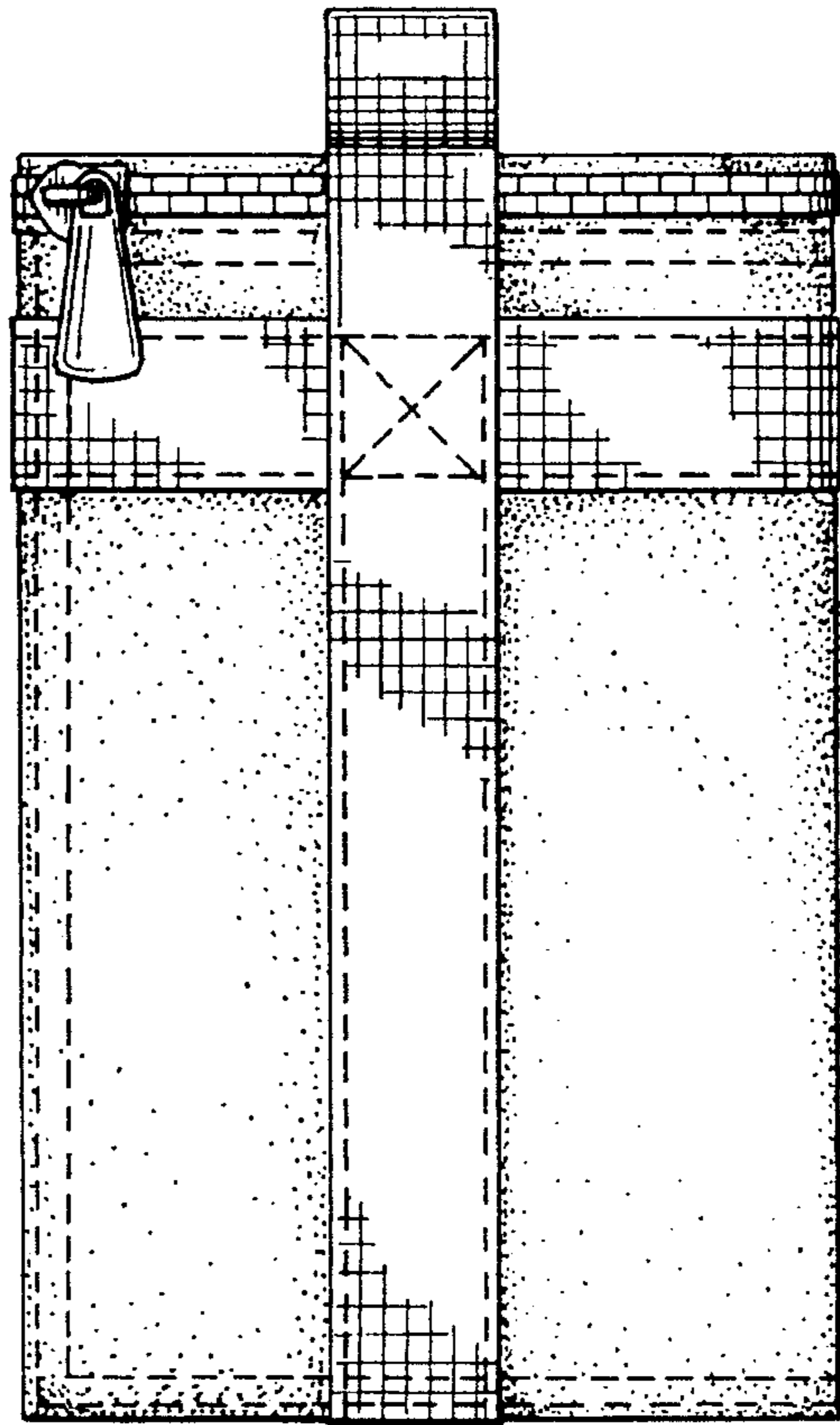


FIG. 7

