



US00D373503S

United States Patent [19]

Cummins

[11] Patent Number: **Des. 373,503**

[45] Date of Patent: ****Sep. 10, 1996**

[54] **MACHINE FOR HANDLING BAKERY DOUGH**

4,391,576	7/1983	Cummins	425/241
4,786,517	11/1988	Pinto	426/503
4,948,611	8/1990	Cummins	426/503
4,960,601	10/1990	Cummins	426/504

[75] Inventor: **Donald L. Cummins, deceased**, late of Mechanicsville, Va., by Marian G. Cummins, executor

Primary Examiner—Nelson C. Holtje
Assistant Examiner—Caron D. Veynar
Attorney, Agent, or Firm—Norman B. Rainer

[73] Assignee: **Cummins Eagle, Inc.**, Ashland, Va.

[**] Term: **14 Years**

[57] **CLAIM**

[21] Appl. No.: **42,864**

The ornamental design for a machine for handling bakery dough, as shown and described.

[22] Filed: **Aug. 17, 1995**

DESCRIPTION

[52] U.S. Cl. **D7/376**

[58] **Field of Search** D7/376, 412; 73/169, 73/259, 861.12; 83/556, 584; 366/85; 425/140, 142, 164, 174.4, 297, 311, 376 R; 426/503, 504

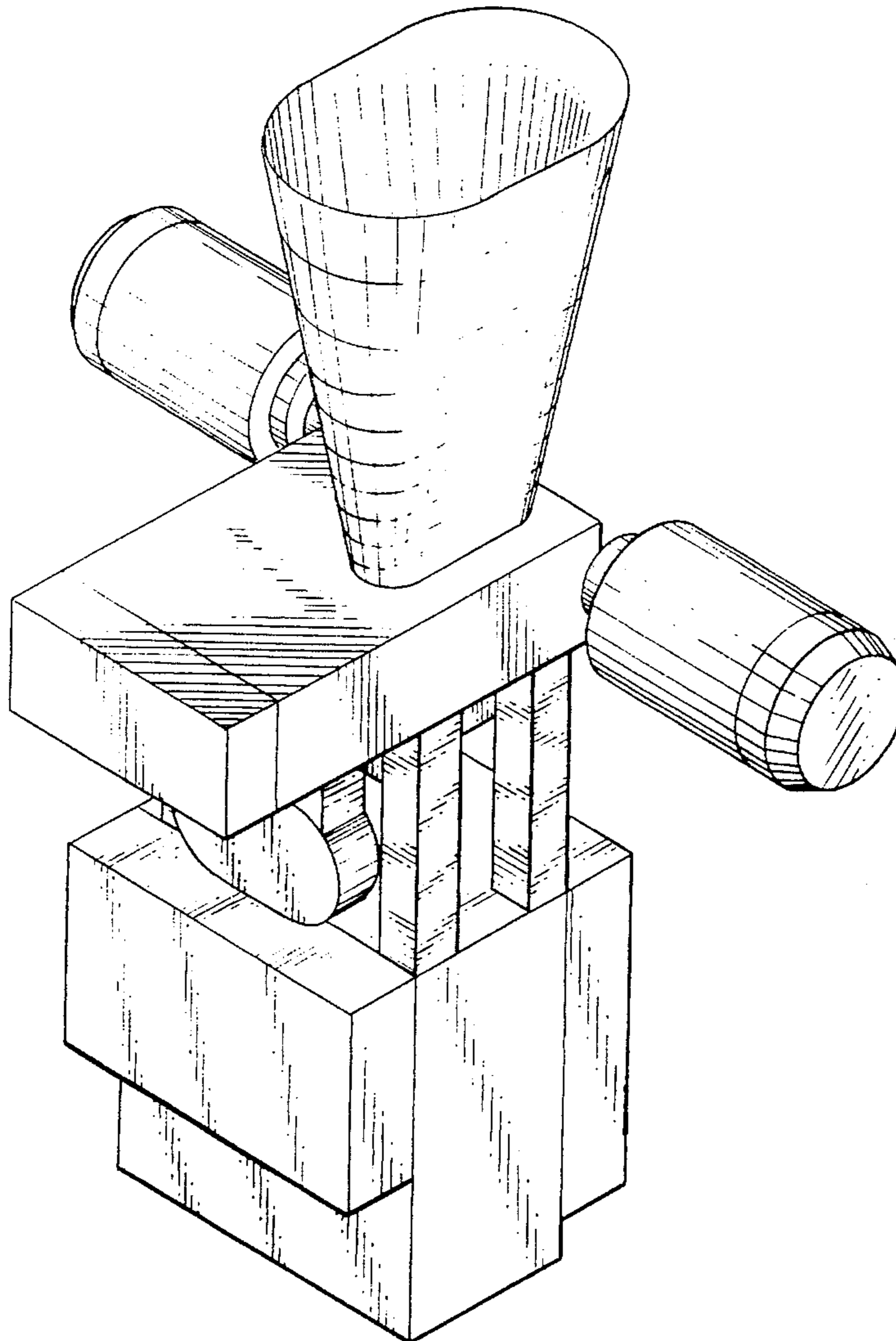
FIG. 1 is a front, top and right side perspective view of a machine for handling bakery dough showing his new design; FIG. 2 is a front view thereof; FIG. 3 is a top plan view thereof; FIG. 4 is a left side view thereof; and, FIG. 5 is a rear view thereof.

[56] **References Cited**

U.S. PATENT DOCUMENTS

4,332,538 6/1982 Campbell 425/140

1 Claim, 4 Drawing Sheets



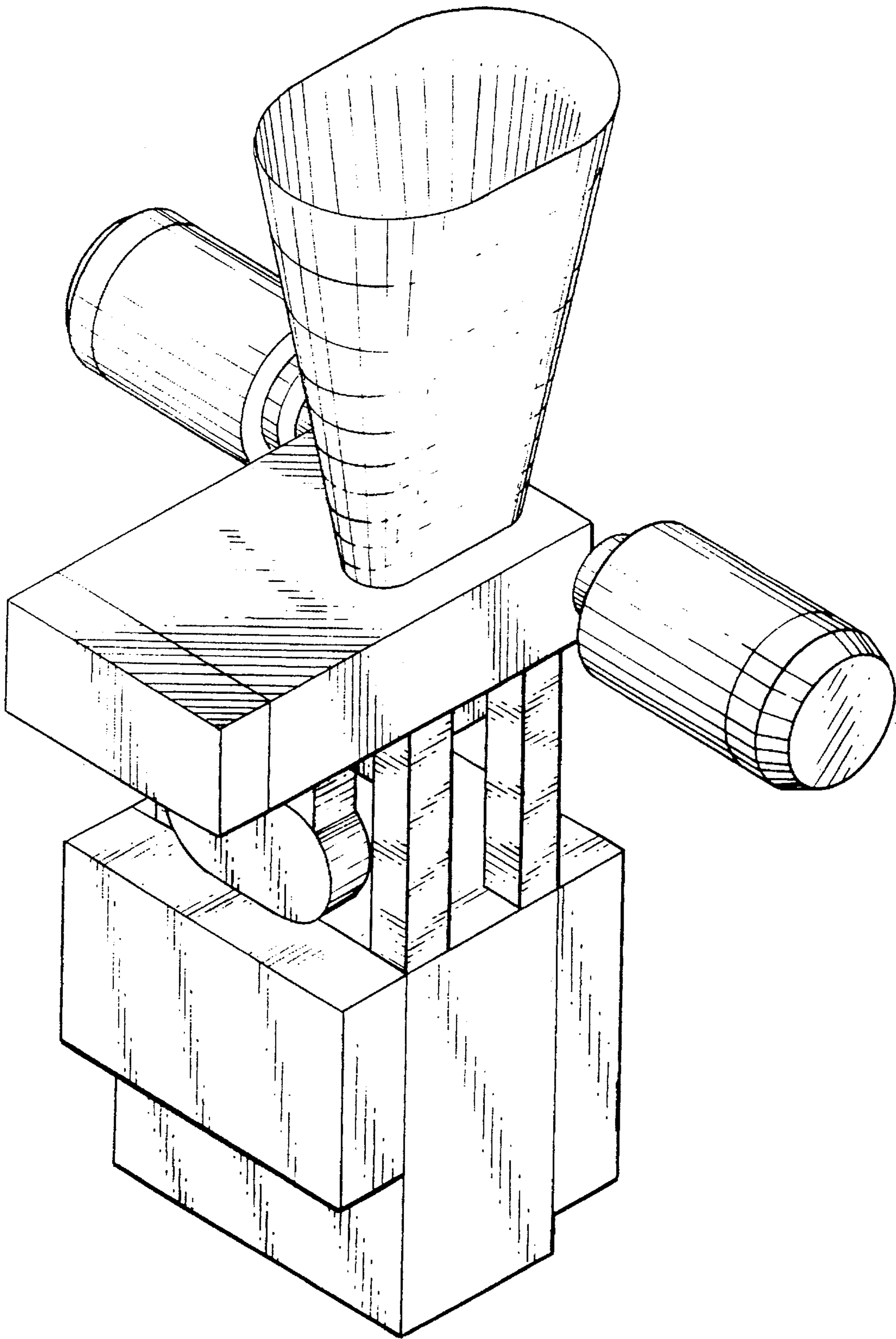


FIG. 1

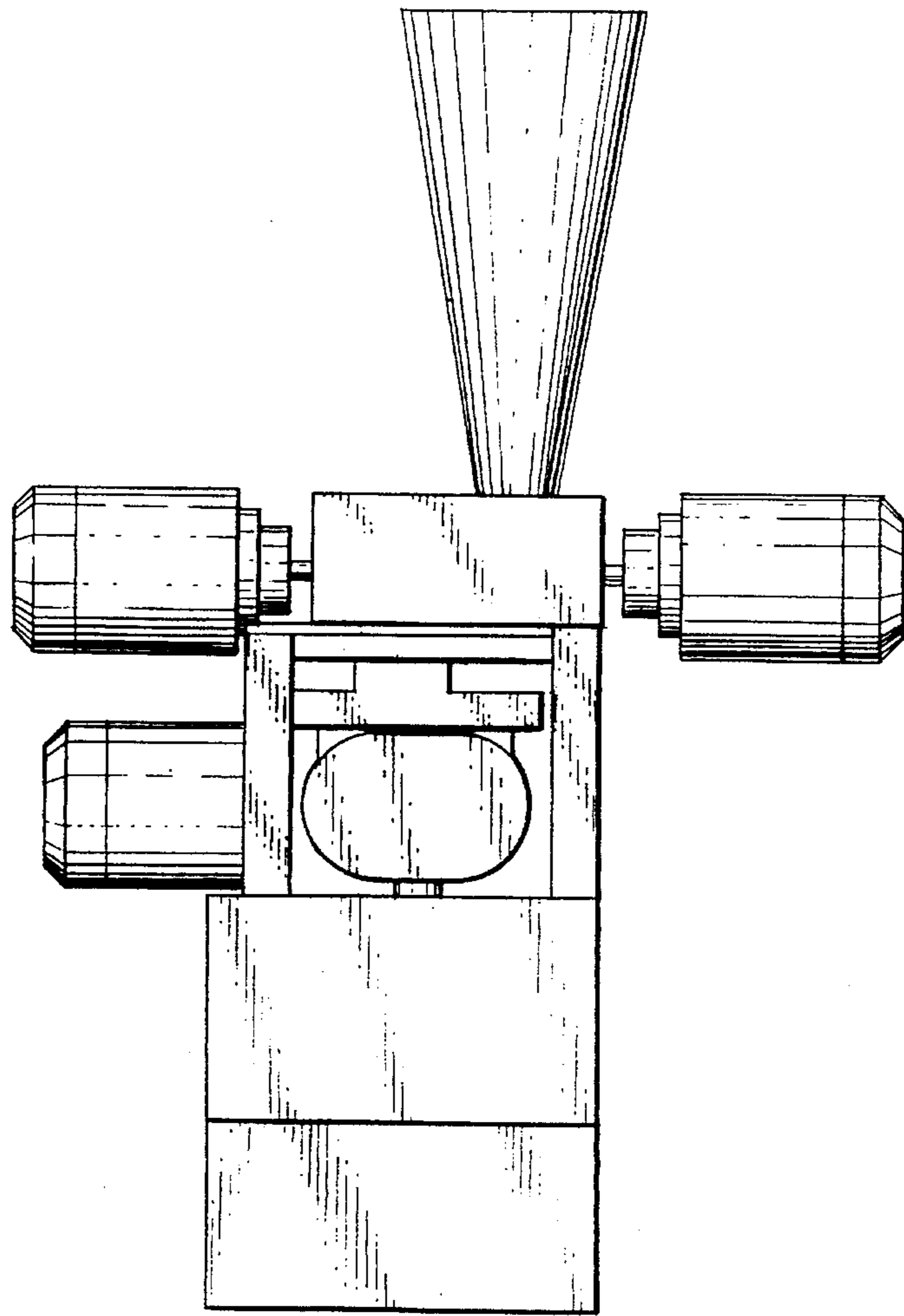


FIG. 2

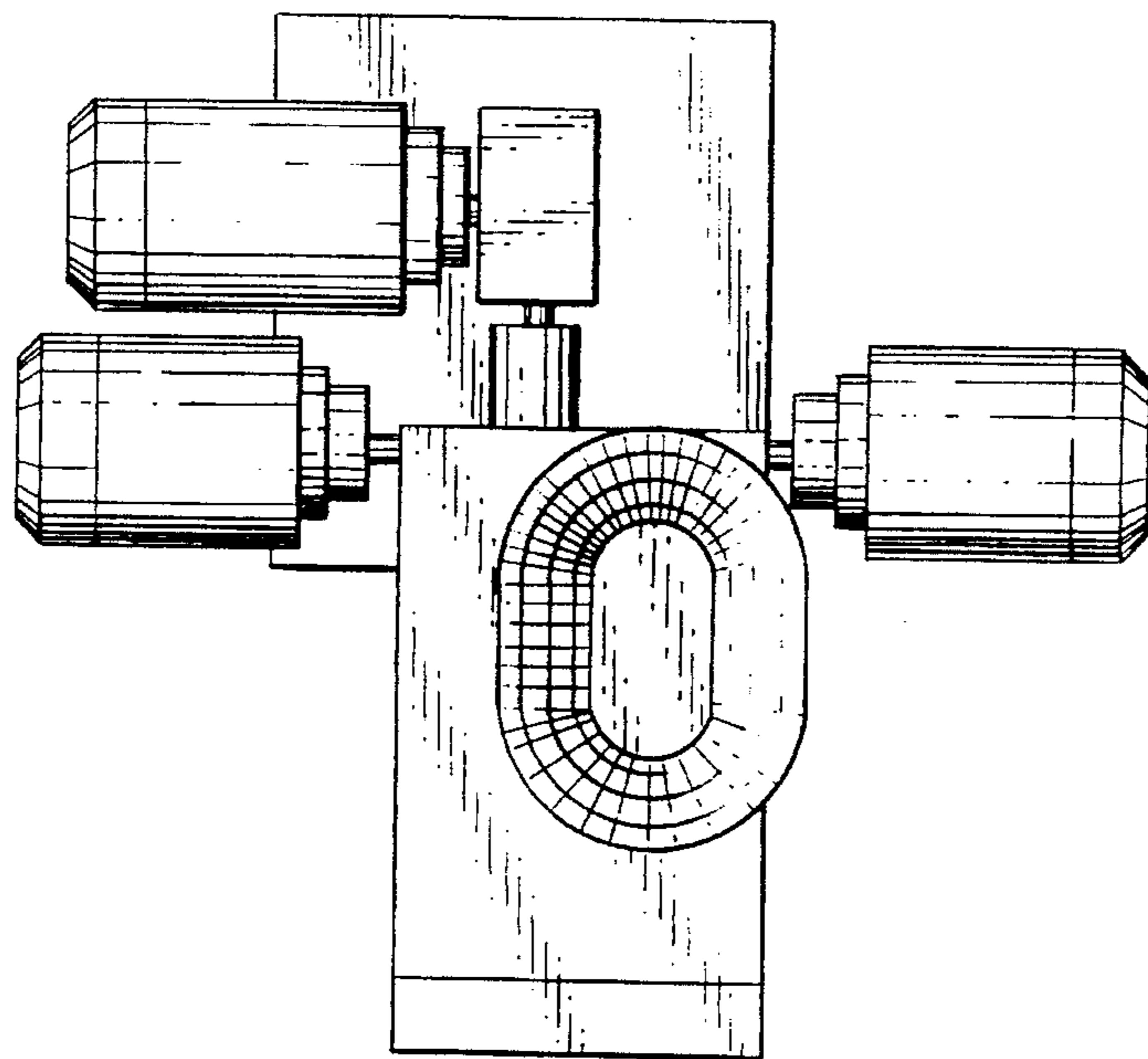


FIG. 3

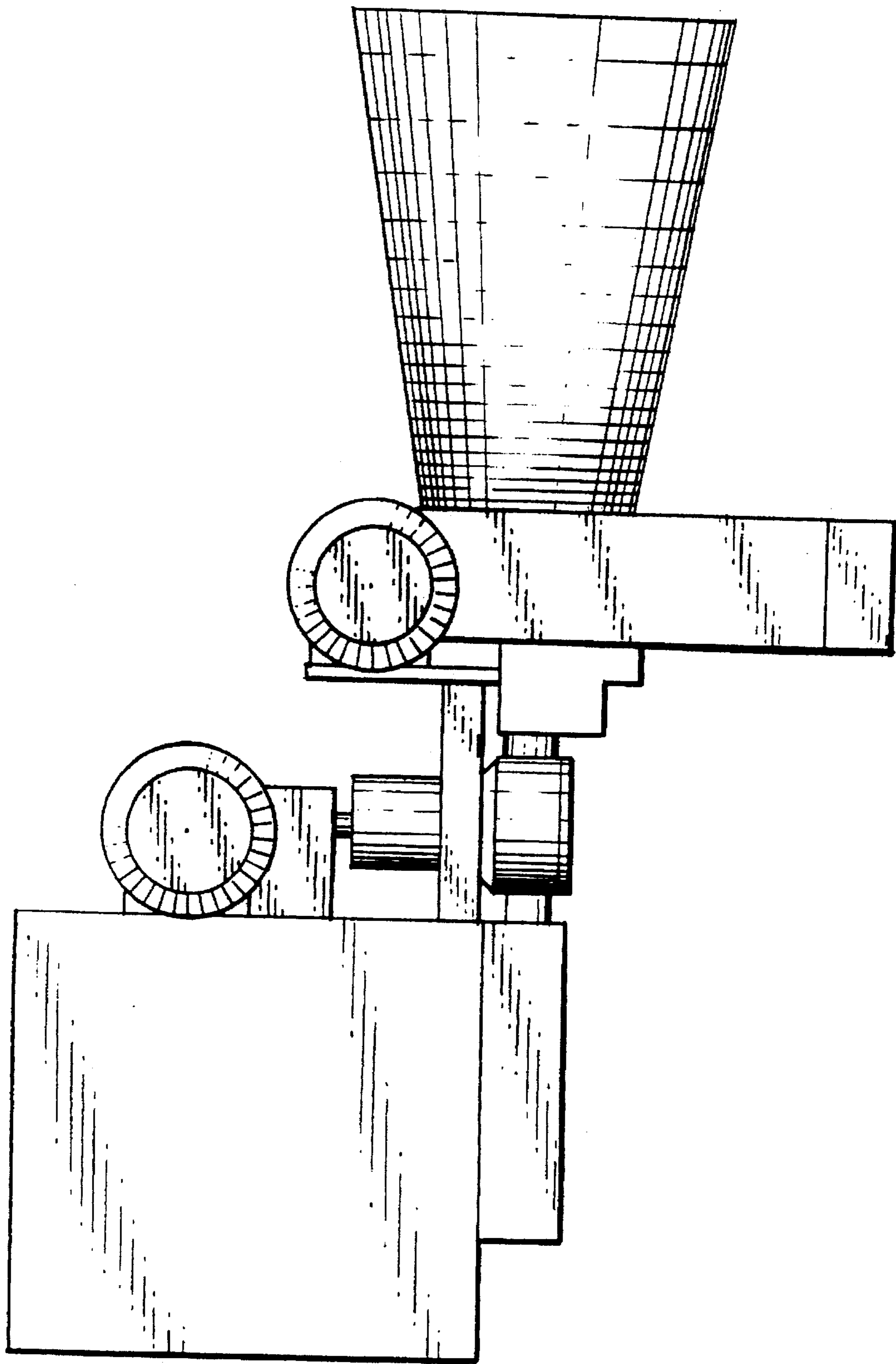


FIG. 4

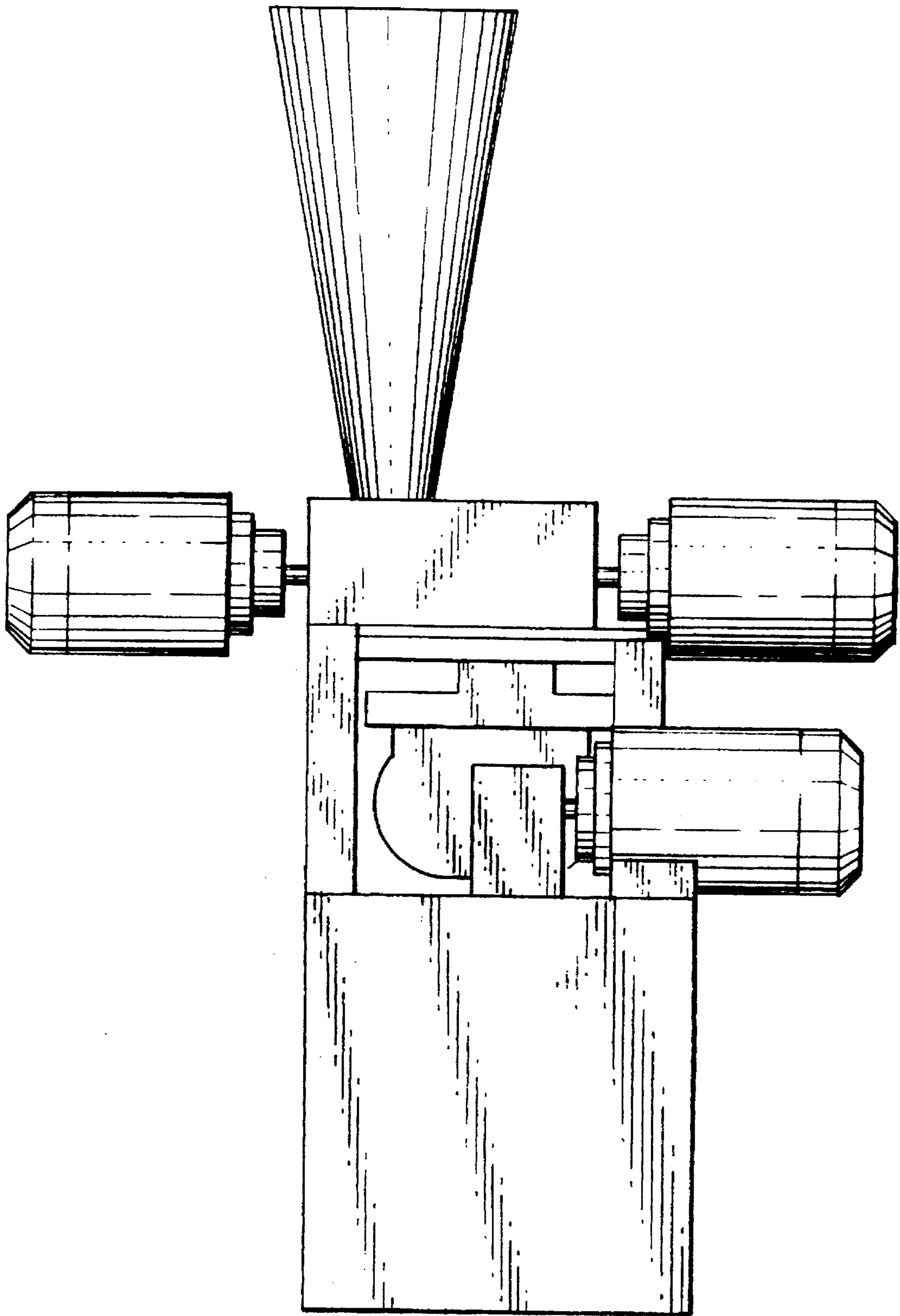


FIG. 5