



US00D373501S

United States Patent [19]

Han

[11] Patent Number: **Des. 373,501**

[45] Date of Patent: ****Sep. 10, 1996**

[54] **COFFEE MAKER**

[76] Inventor: **Yang P. Han**, 56, Min Sheng Street,
Fengyuan, Taichung, Taiwan

[**] Term: **14 Years**

[21] Appl. No.: **26,612**

[22] Filed: **Aug. 1, 1994**

[52] U.S. Cl. **D7/309**; D7/310; D7/311

[58] Field of Search D7/300, 306, 307,
D7/308, 309, 310, 311, 317, 305; 99/288,
279

[56] **References Cited**

U.S. PATENT DOCUMENTS

- D. 207,526 4/1967 Martin D7/311
- D. 254,892 5/1980 Smit D7/310 X
- D. 295,486 5/1988 Eugster et al. D7/309
- D. 319,752 9/1991 Adams et al. D7/305 X
- D. 331,347 12/1992 Dingelstad et al. D7/309

- D. 337,915 8/1993 Kahleke D7/308
- D. 339,763 9/1993 McCloskey D7/309
- D. 344,205 2/1994 Saltet D7/310 X
- D. 355,560 2/1995 Assmann D7/309

Primary Examiner—Alan P. Douglas
Assistant Examiner—M. N. Pandozzi

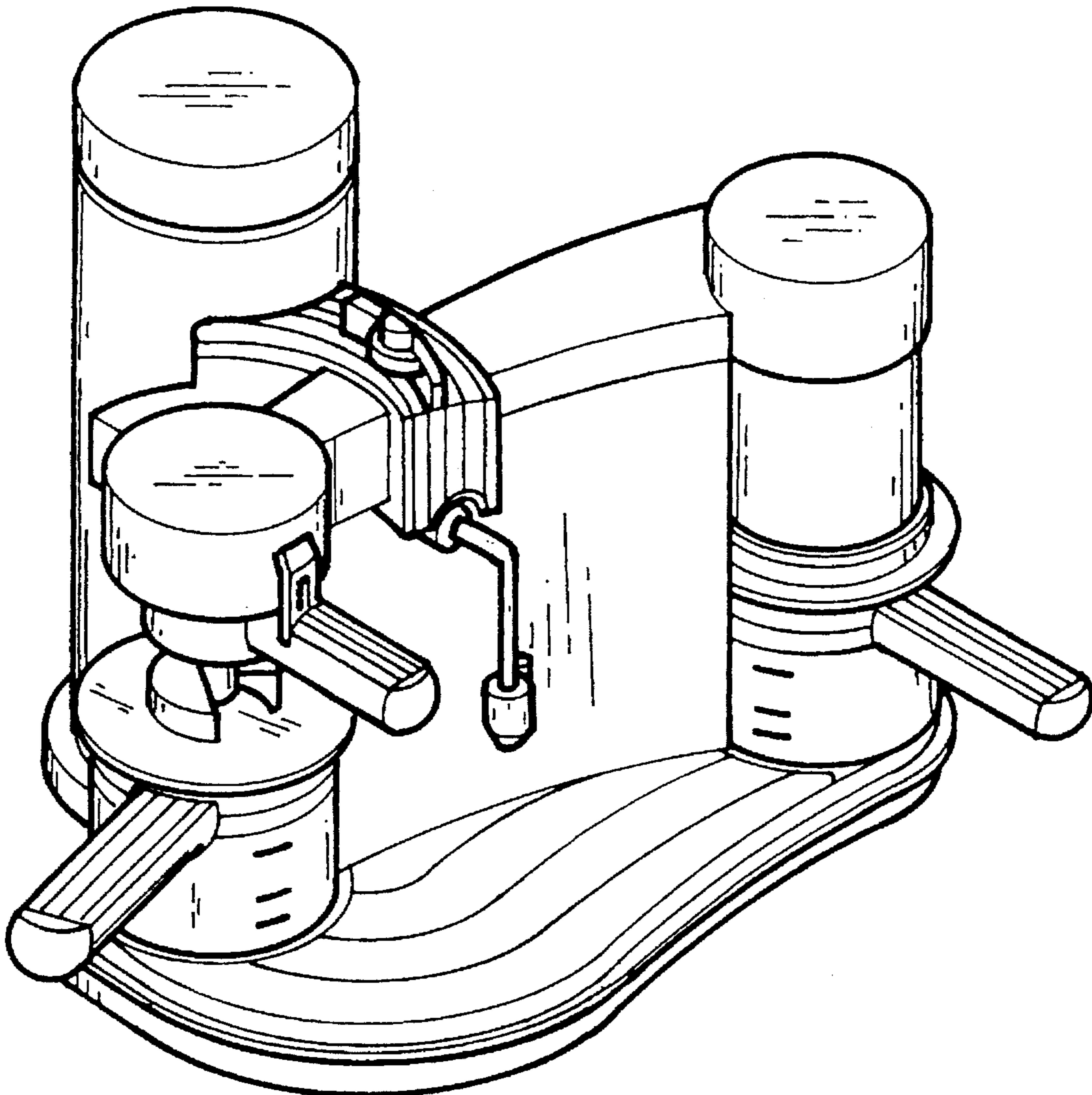
[57] **CLAIM**

The ornamental design for coffee maker, as shown.

DESCRIPTION

FIG. 1 is a front view of the present design;
FIG. 2 is a left side view of the present design;
FIG. 3 is a right side view of the present design;
FIG. 4 is a top view of the present design;
FIG. 5 is a bottom view of the present design;
FIG. 6 is a rear view of the present design; and,
FIG. 7 is a perspective view of the present design.

1 Claim, 7 Drawing Sheets



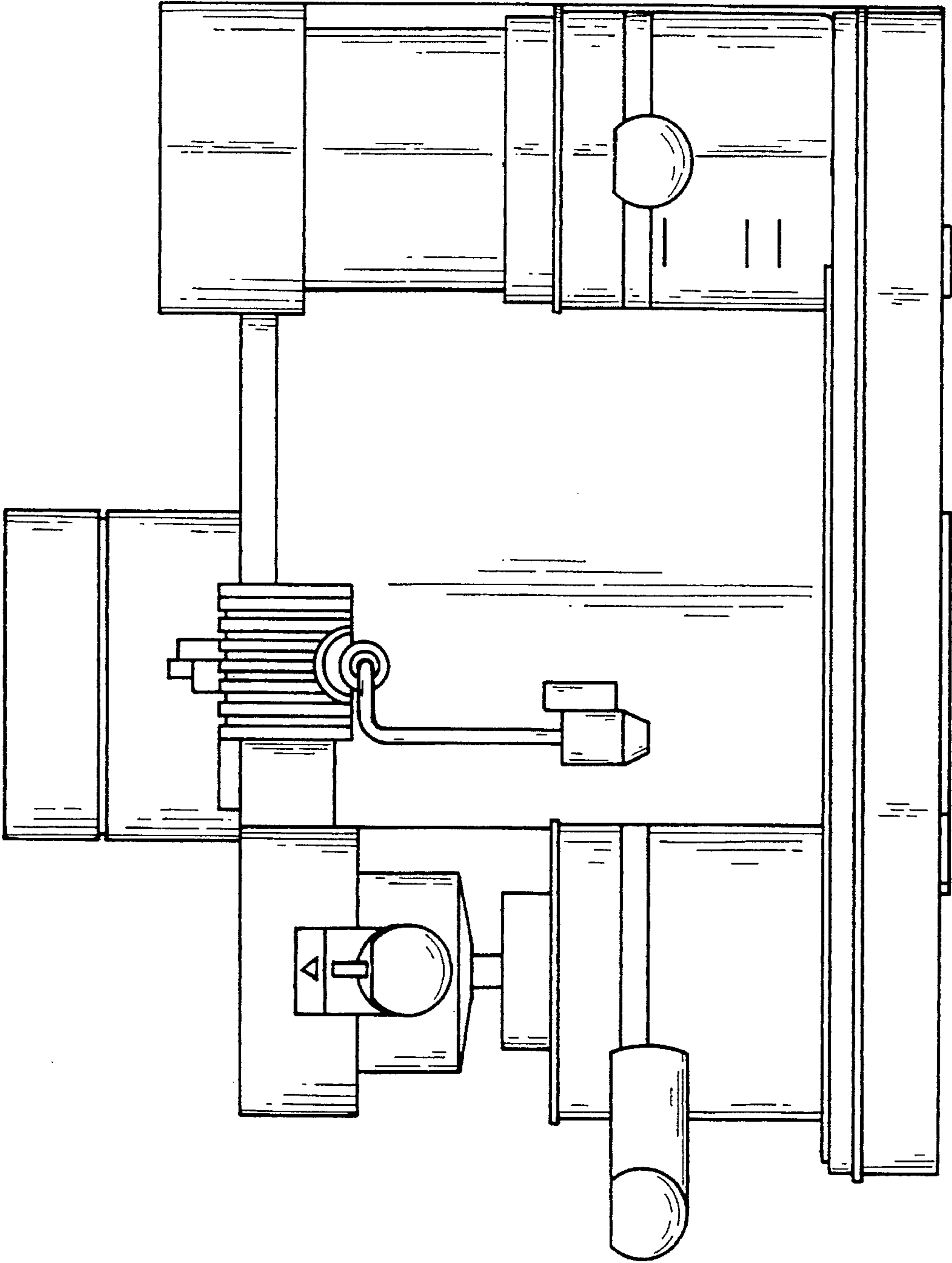


FIG. 1

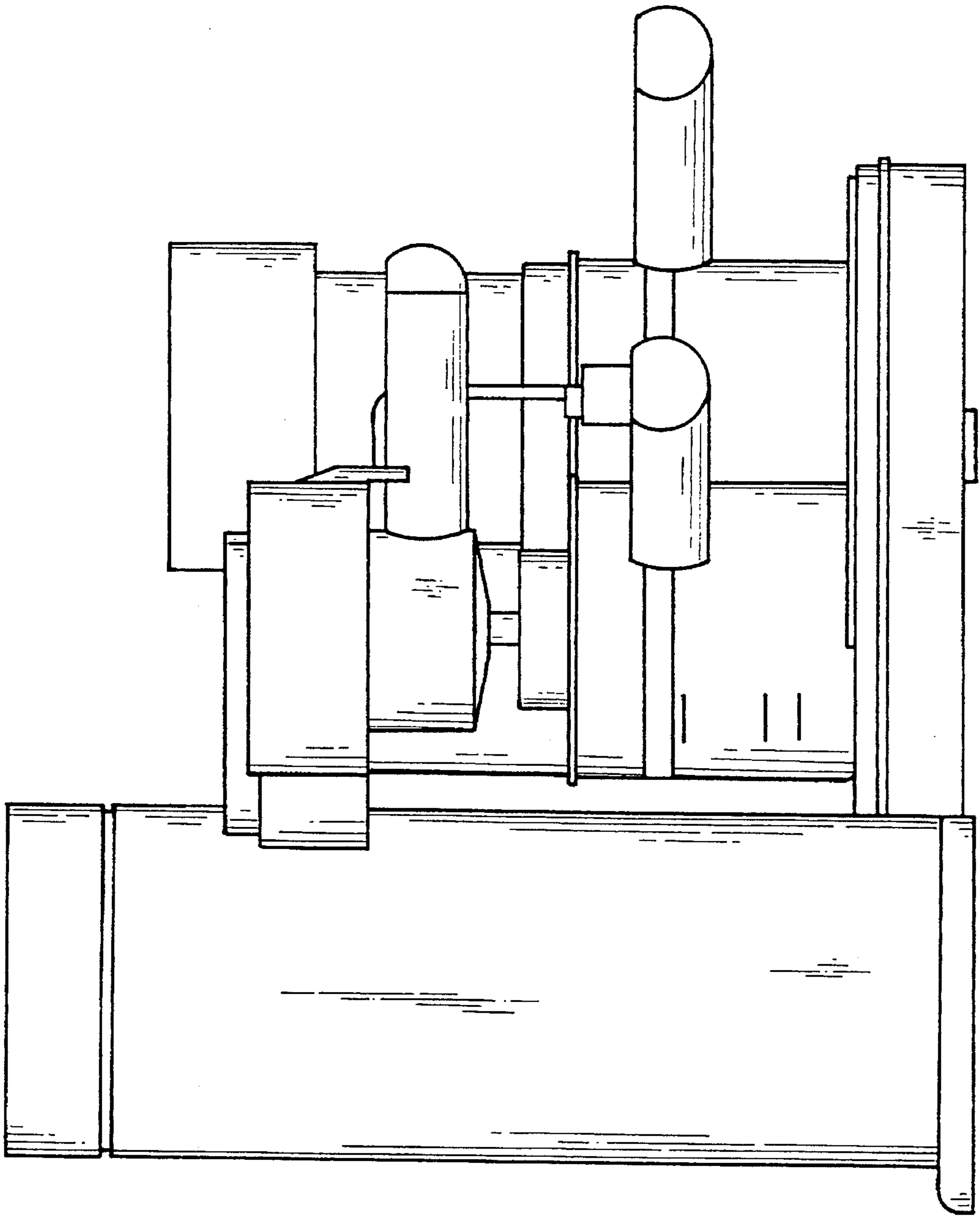


FIG. 2

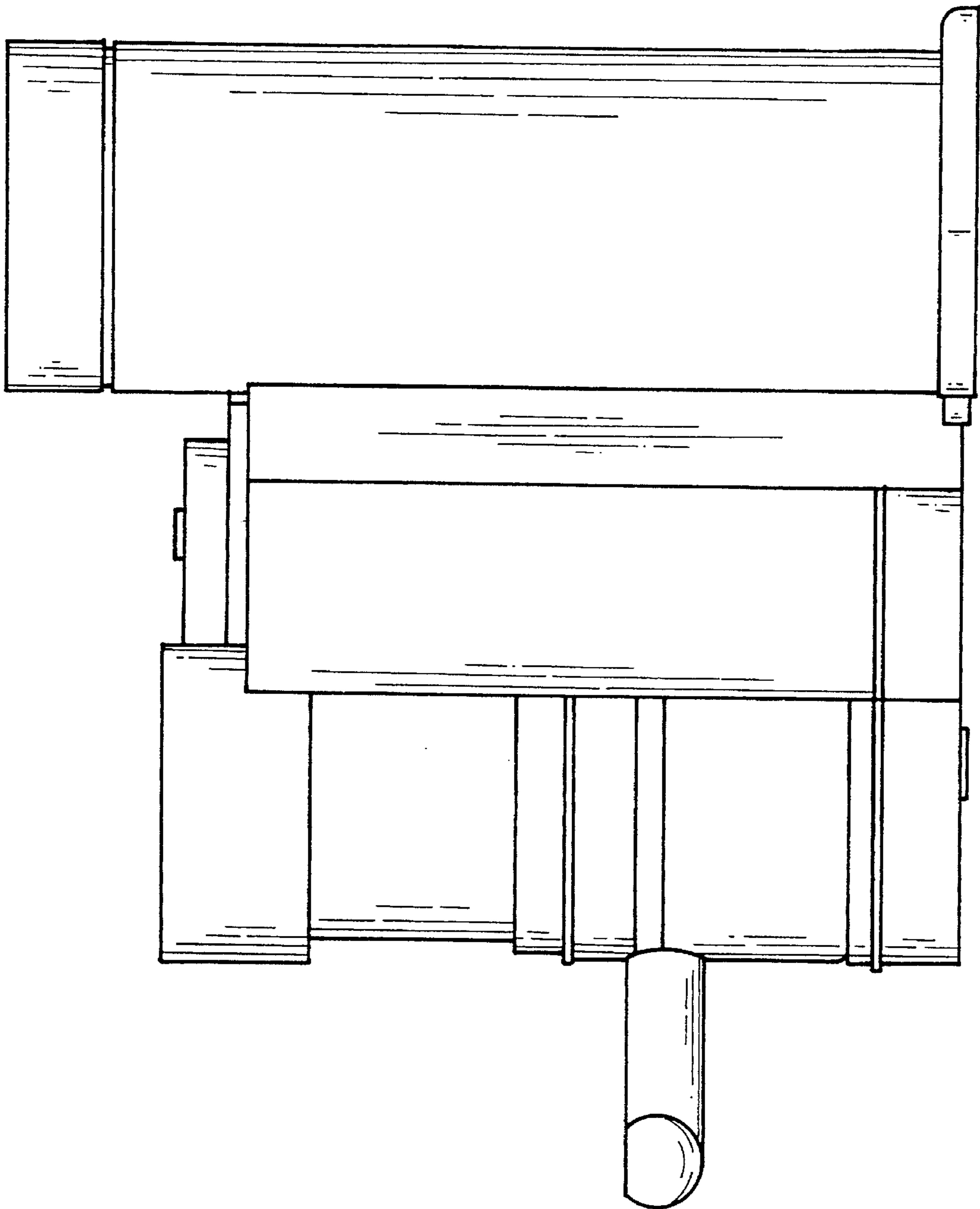


FIG. 3

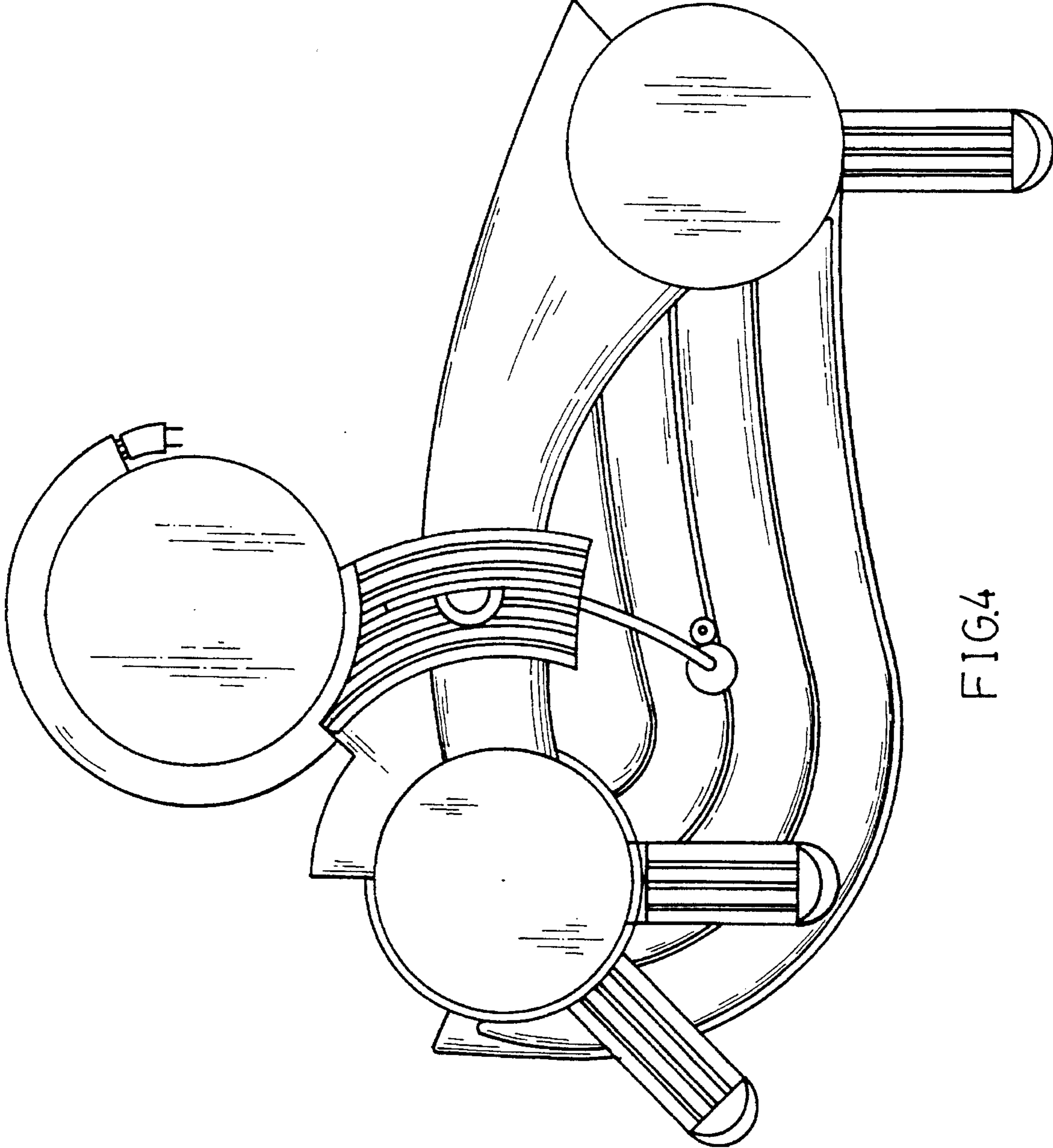


FIG 4

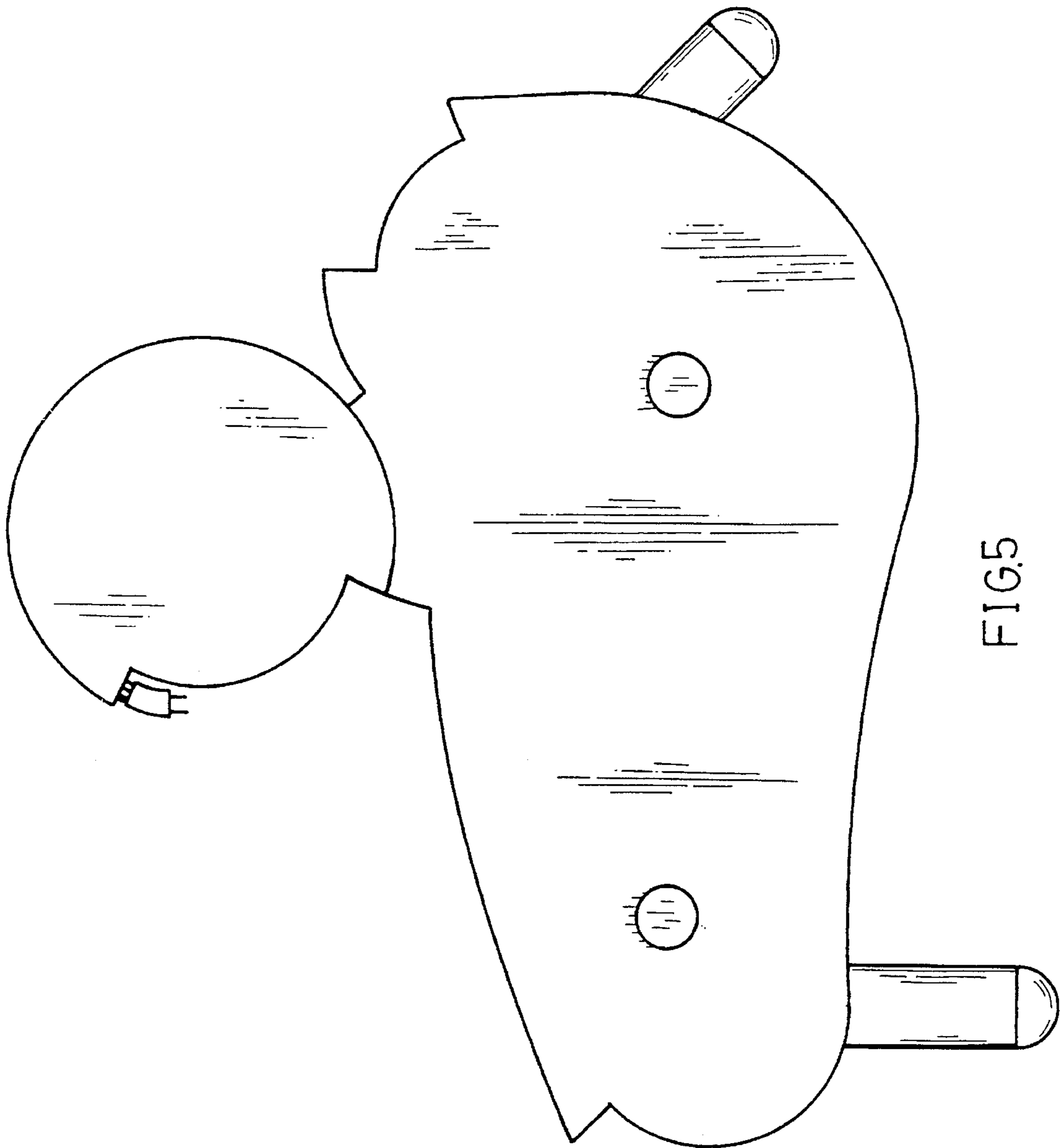


FIG.5

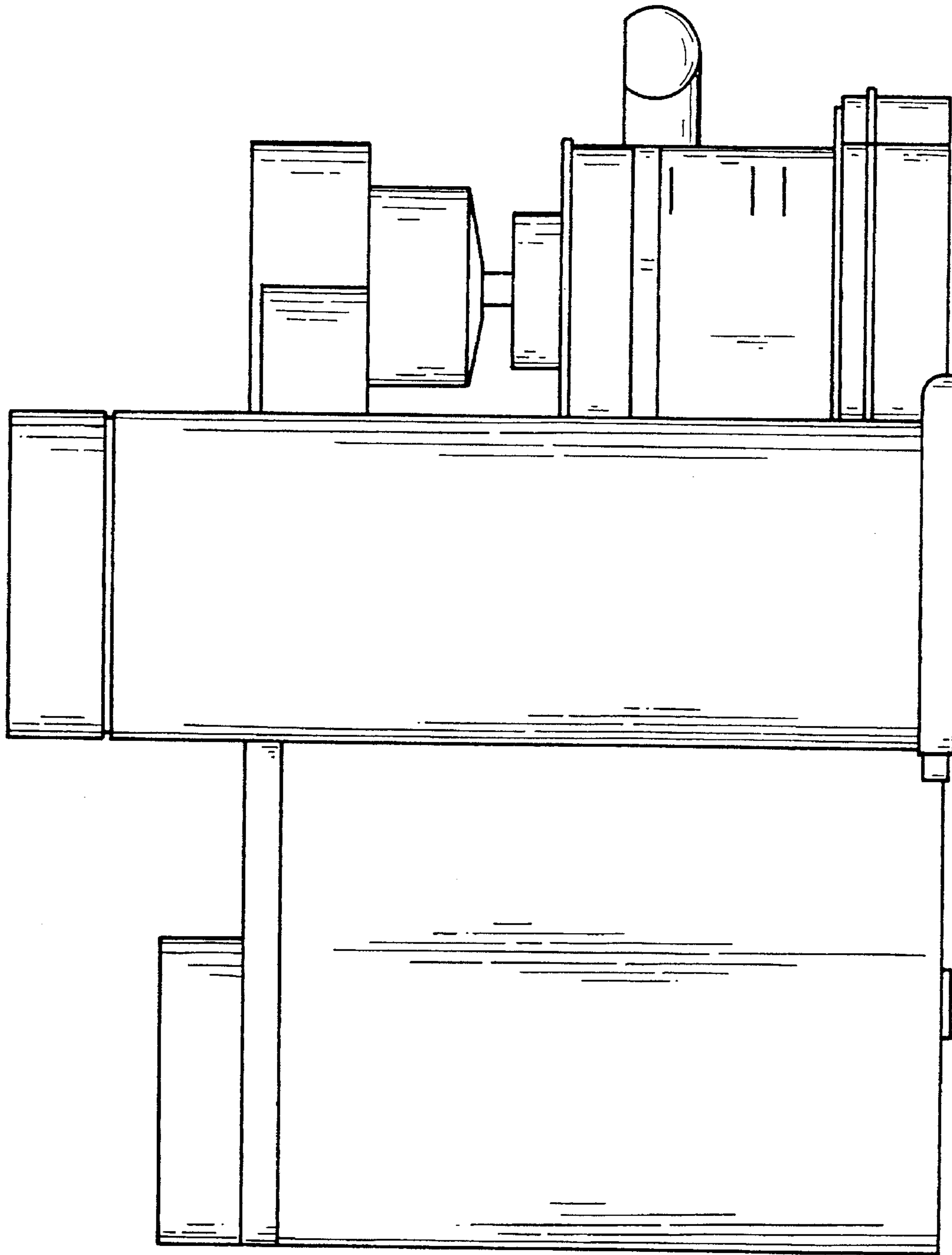


FIG.6

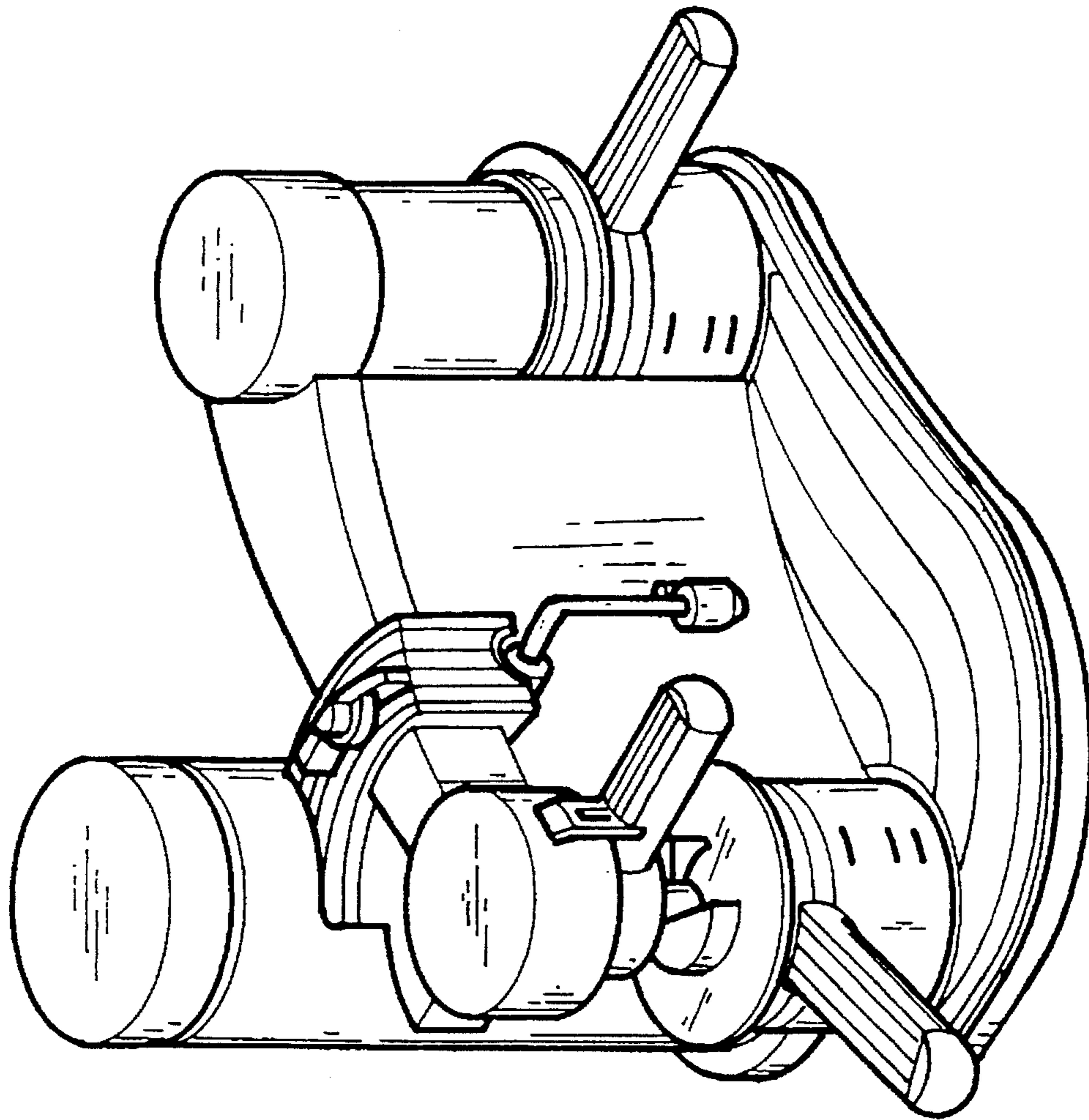


FIG.7