



US00D373498S

United States Patent [19]

[11] Patent Number: **Des. 373,498**

Young

[45] Date of Patent: ****Sep. 10, 1996**

[54] **BASEBALL EQUIPMENT STORAGE AND ORGANIZING DEVICE**

5,094,345	3/1992	Yonnatti	206/315.2
5,224,602	7/1993	Bettles et al.	206/315.1 X
5,413,228	5/1995	LeClerc	211/13

[76] Inventor: **Michael B. Young**, 9335 Hardy, Overland Park, Kans. 66212

Primary Examiner—Brian N. Vinson
Attorney, Agent, or Firm—John D. Gugliotta

[**] Term: **14 Years**

[57] **CLAIM**

[21] Appl. No.: **42,167**

The ornamental design for a baseball equipment storage and organizing device, as shown and described.

[22] Filed: **Aug. 2, 1995**

DESCRIPTION

[52] U.S. Cl. **D6/552**

[58] Field of Search D6/552, 553, 567, D6/569-571; 206/315.1, 315.9; 211/13-14, 60.1

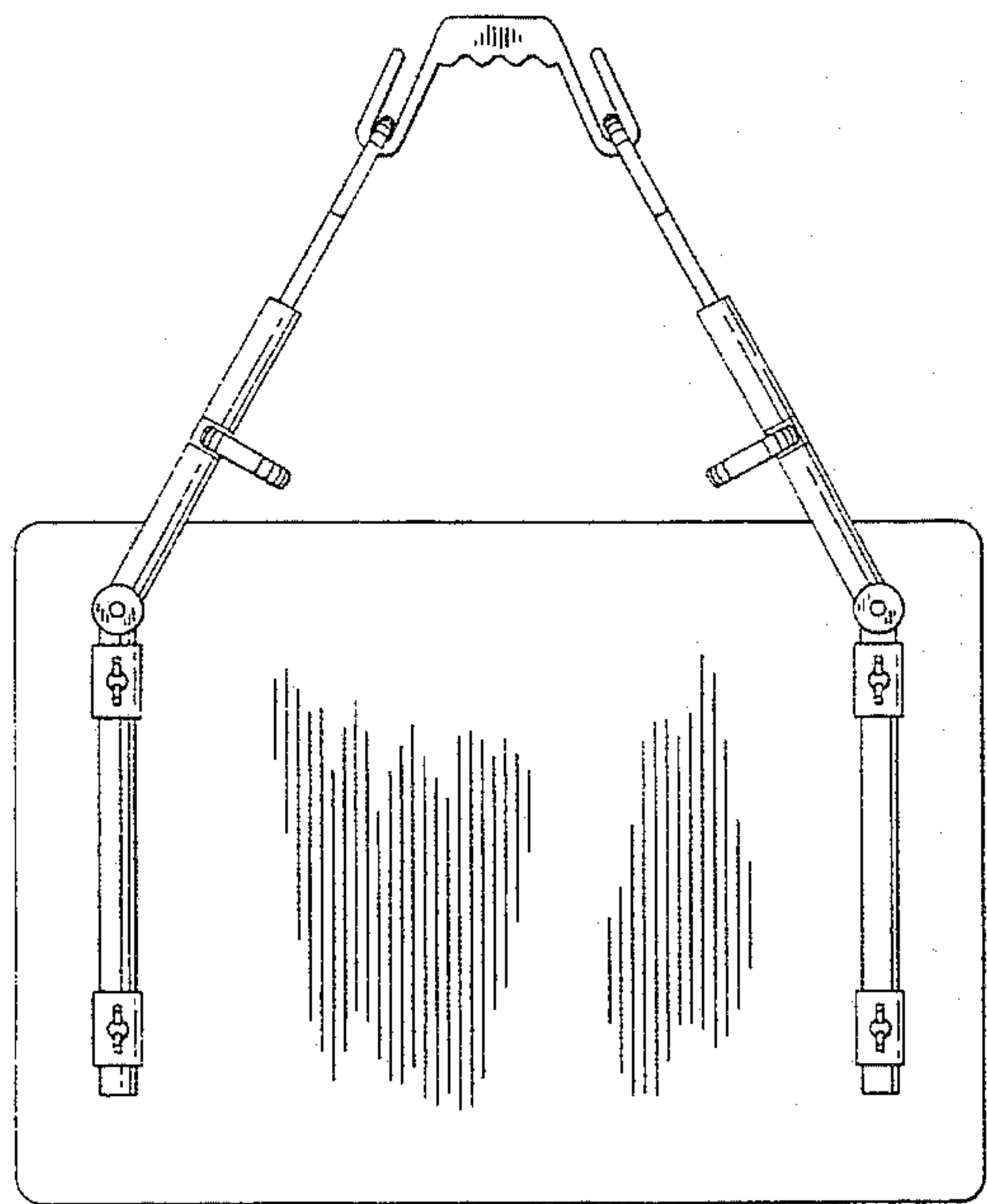
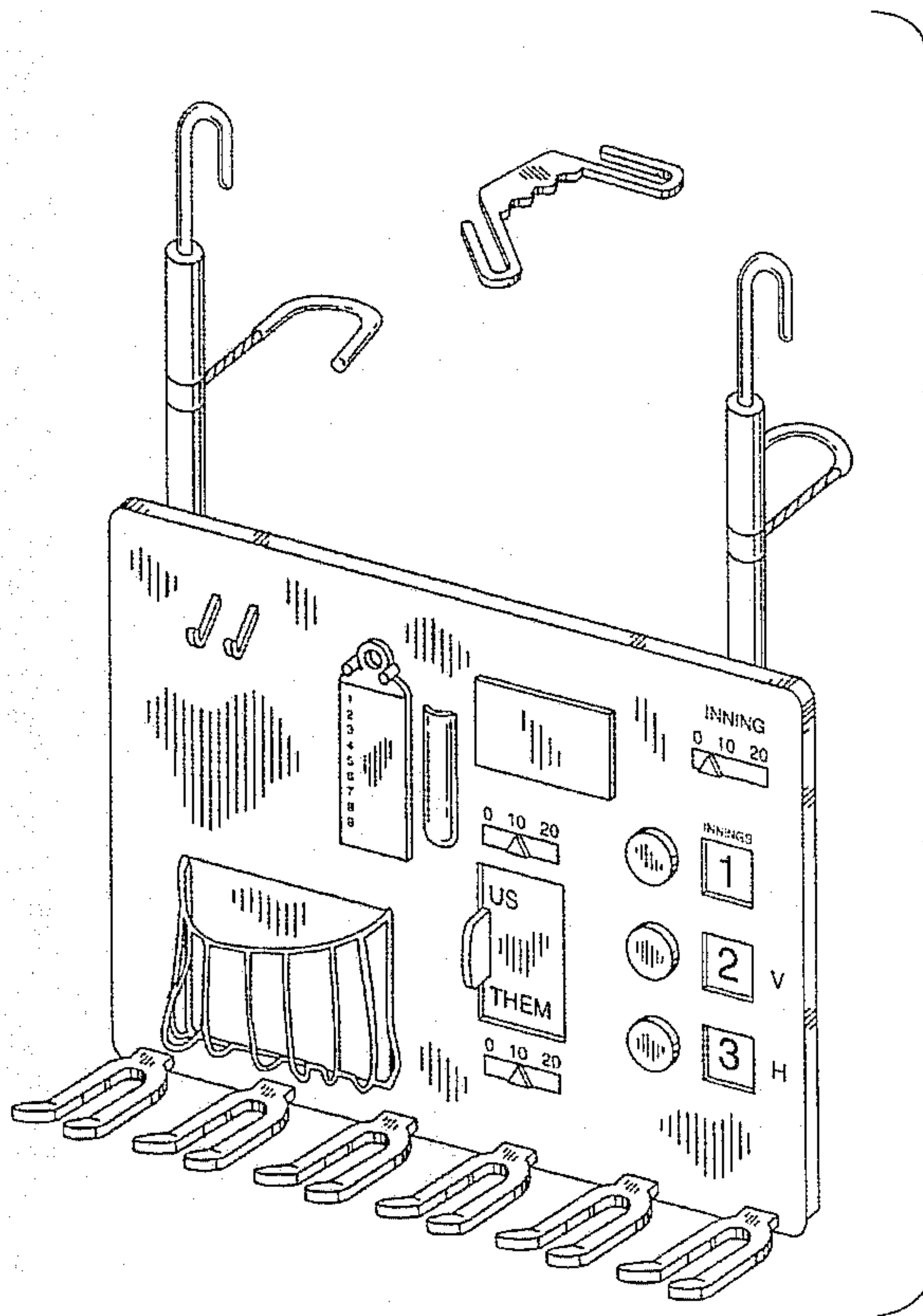
FIG. 1 is a perspective view of a baseball equipment storage and organizing device, showing my new design; FIG. 2 is a front elevational view thereof; FIG. 3 is a rear elevational view thereof; FIG. 4 is a rear elevational view thereof showing the device hooks engaged with a hanger; FIG. 5 is a left side elevational view thereof; FIG. 6 is a right side elevational view thereof; FIG. 7 is a top plan view thereof; and, FIG. 8 is a bottom plan view thereof.

[56] References Cited

U.S. PATENT DOCUMENTS

D. 333,858	3/1993	Pitz	D21/234
D. 335,416	5/1993	Shaw	D6/552
3,977,521	8/1976	Murphy	206/315 R
4,193,495	3/1980	Keeley	211/13
4,629,065	12/1986	Braatan	206/315.1

1 Claim, 6 Drawing Sheets



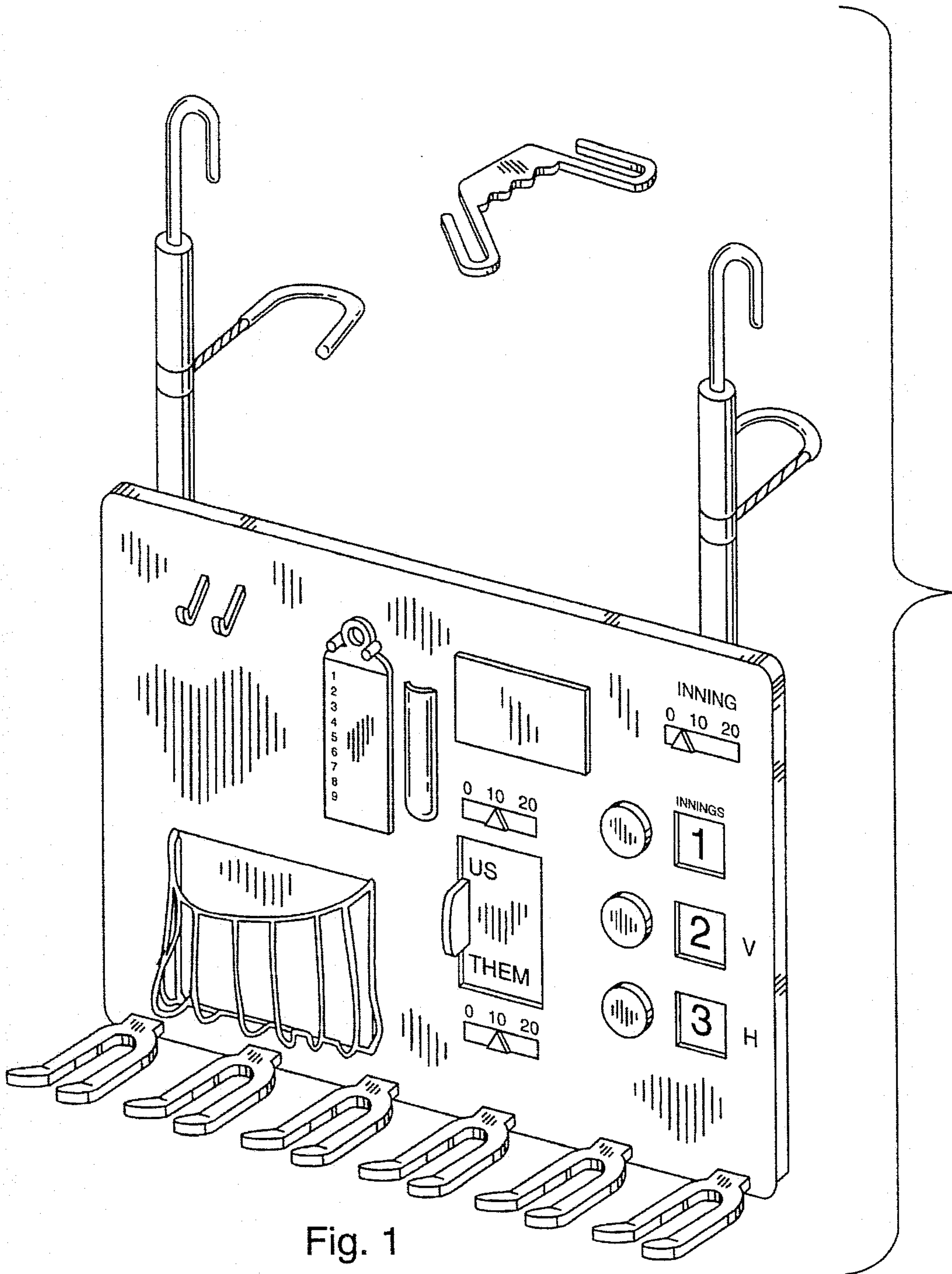


Fig. 1

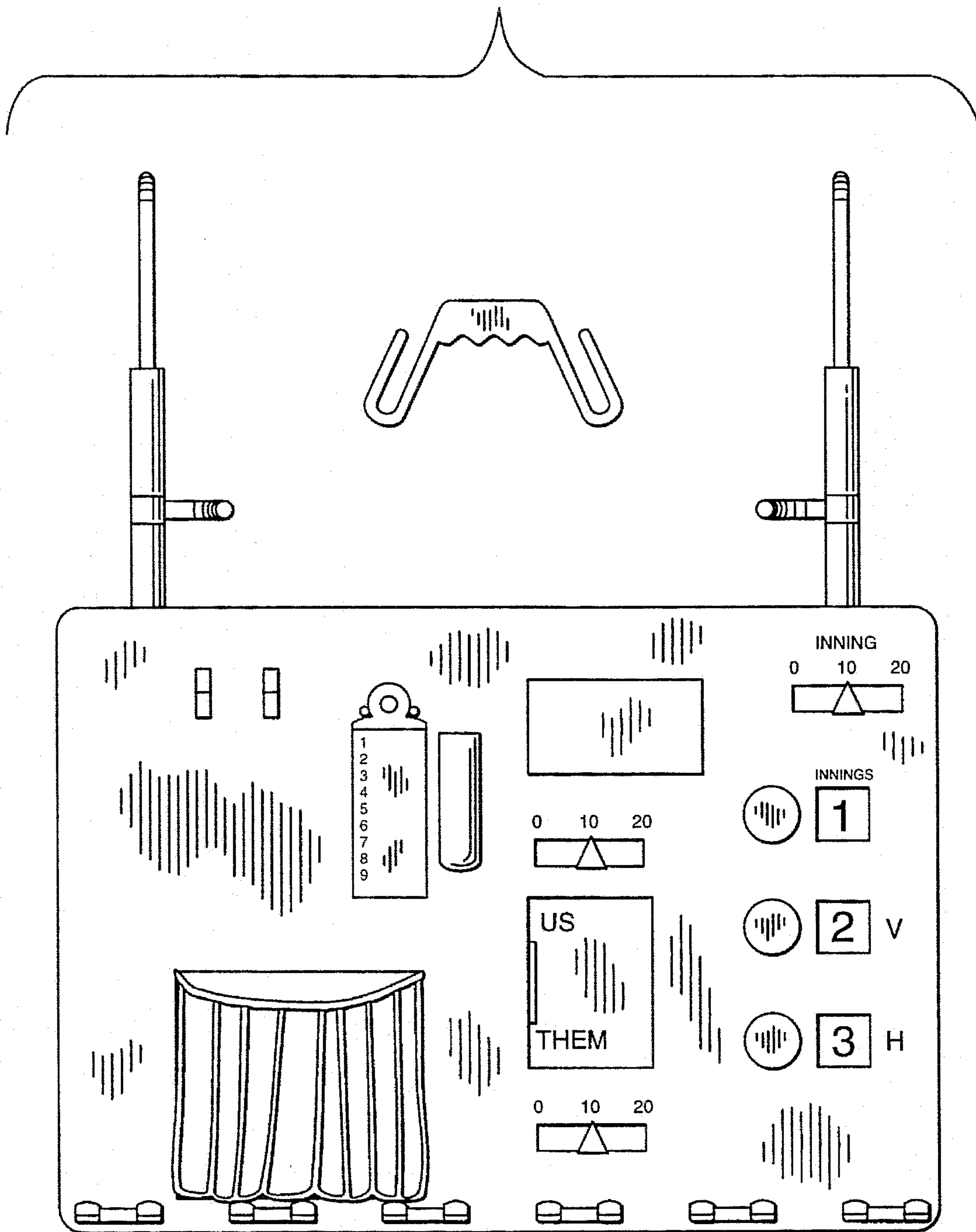


Fig. 2

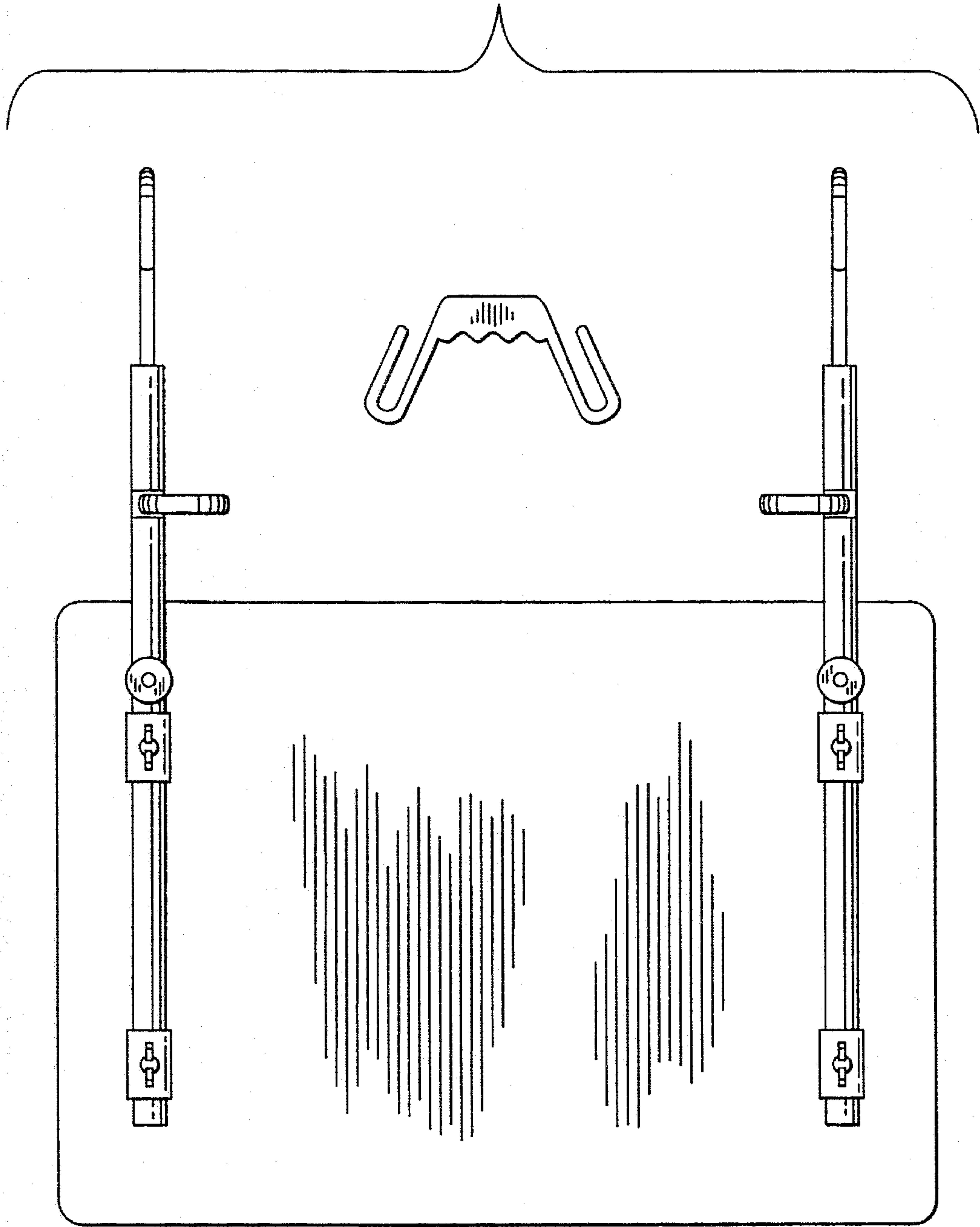


Fig. 3

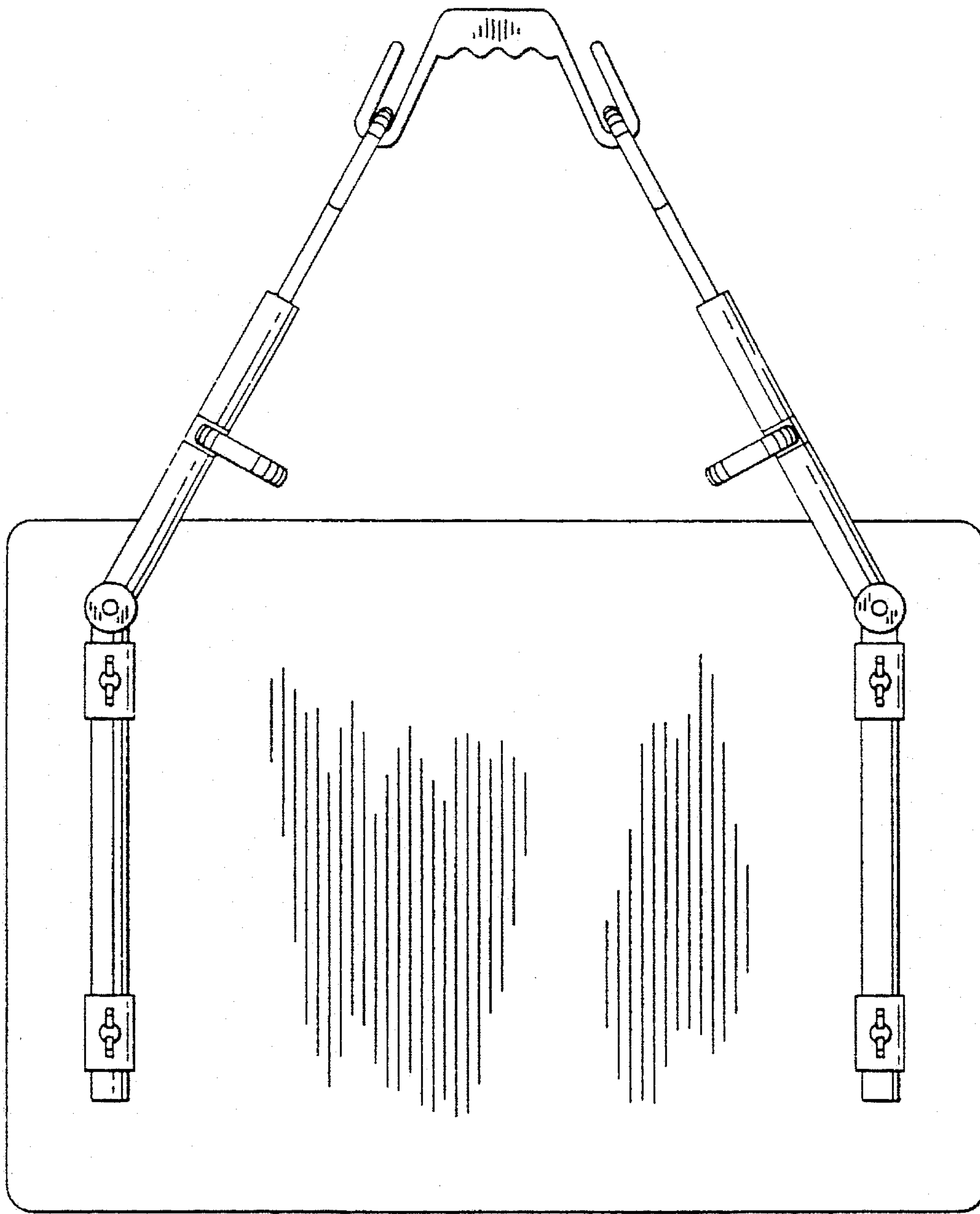


Fig. 4

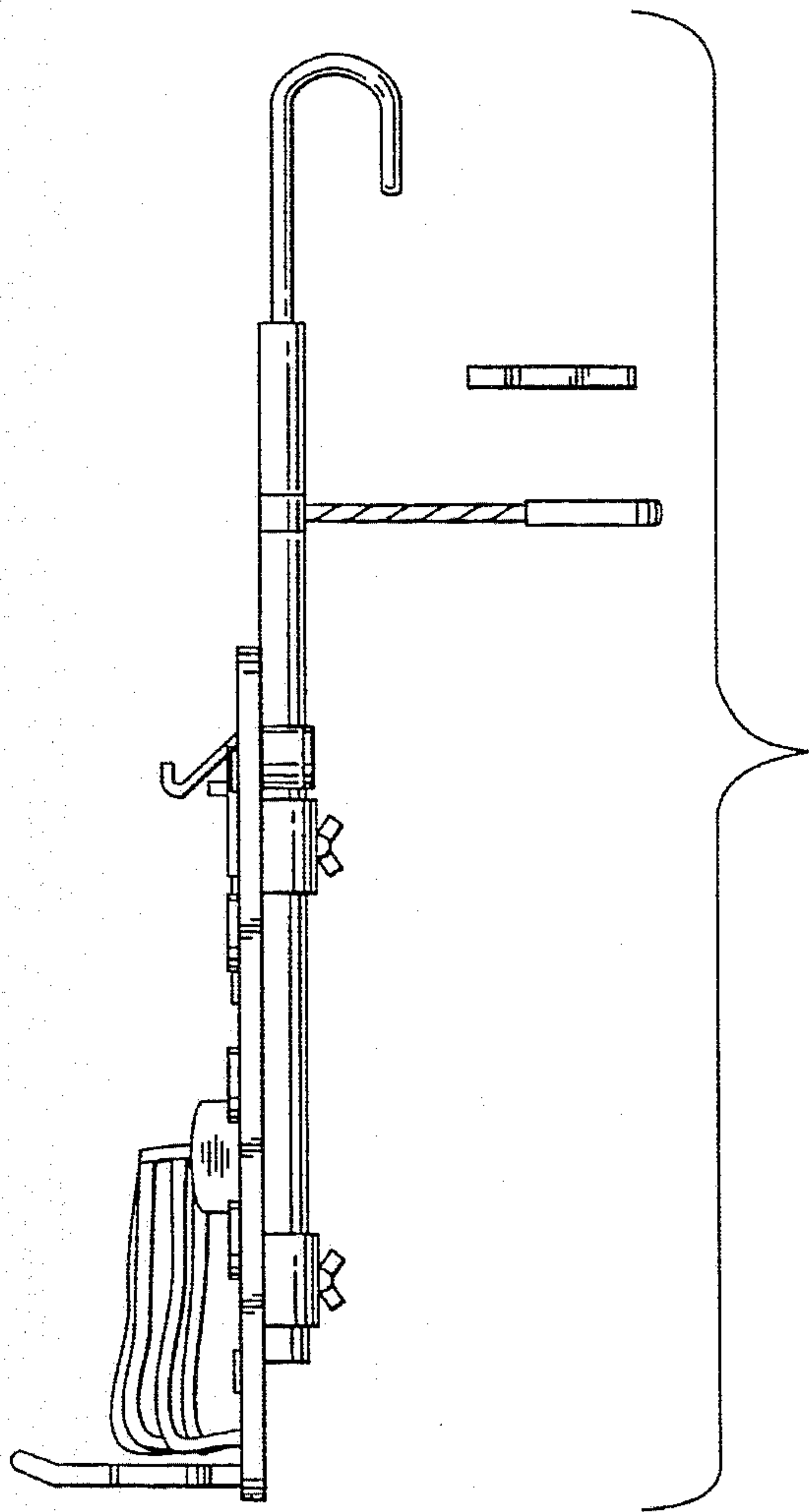


Fig. 5

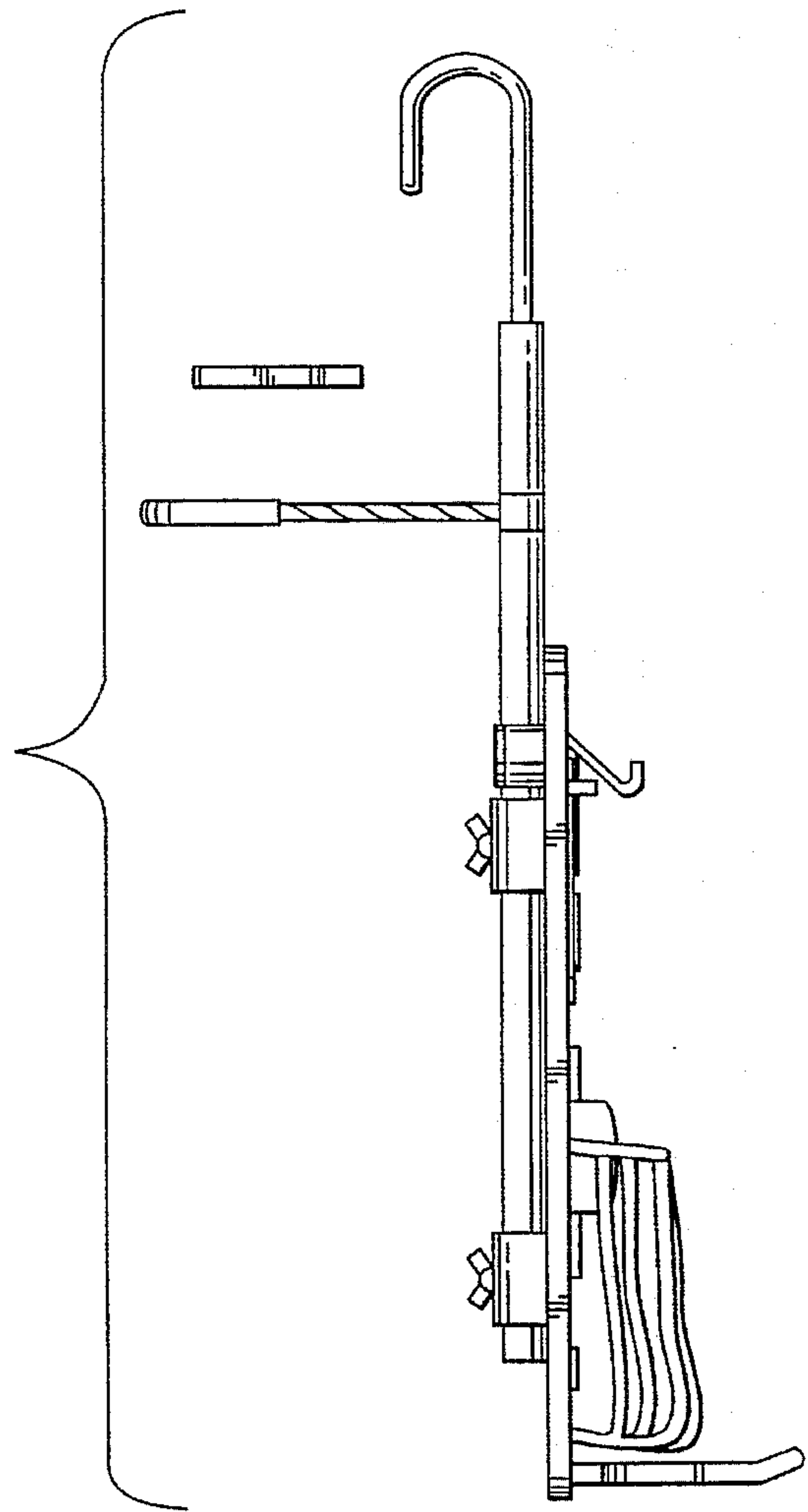


Fig. 6

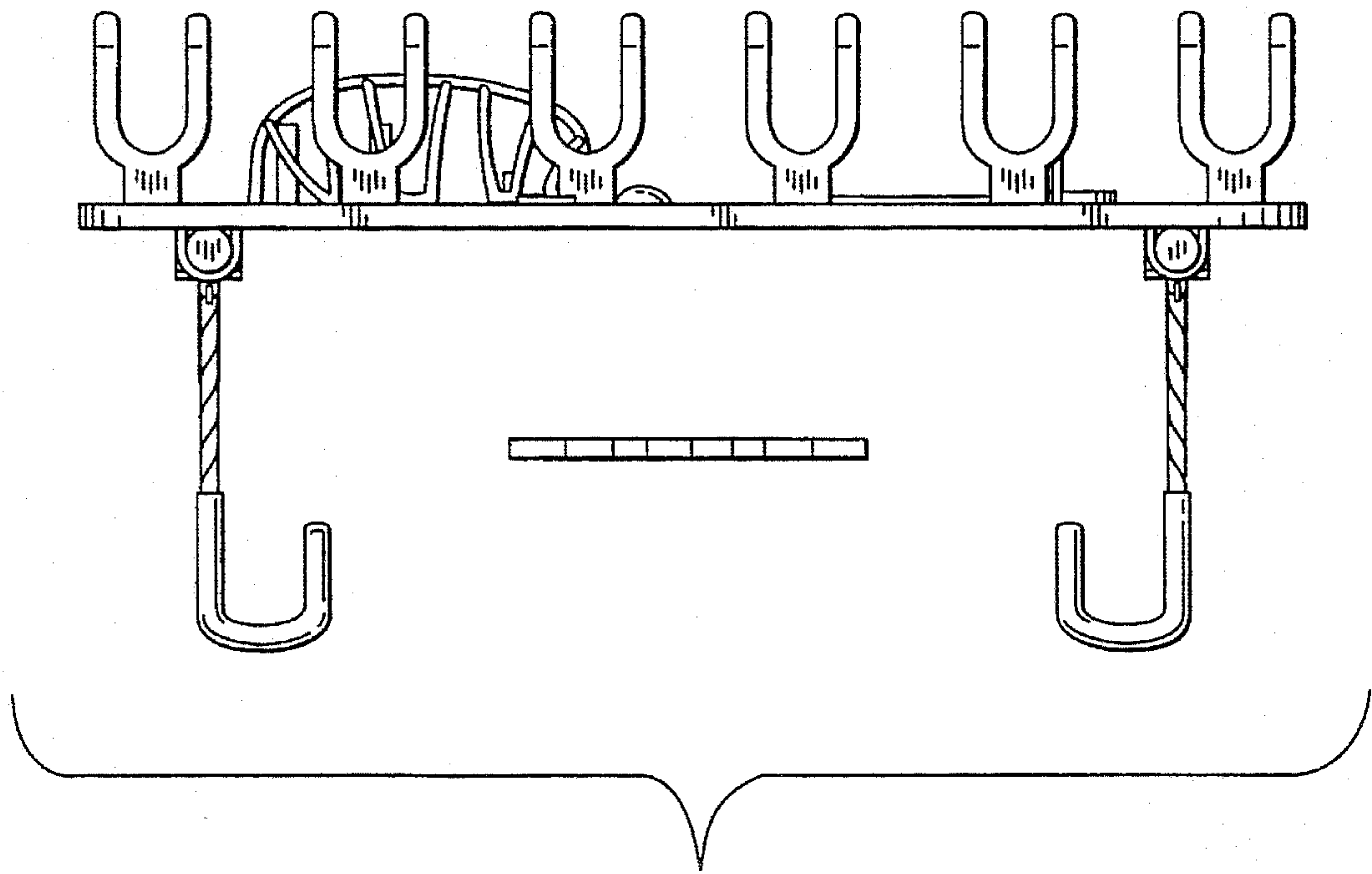


Fig. 7

Fig. 8

