



US00D373495S

United States Patent [19]

Whalen

[11] Patent Number: Des. 373,495

[45] Date of Patent: **Sep. 10, 1996

[54] CHAIR

D. 351,291 10/1994 Völkle D6/366

[76] Inventor: Robert Whalen, 2120 Queen Street East, Suite 300, Toronto, Ontario, Canada, M4E 1E2

[**] Term: 14 Years

[21] Appl. No.: 43,485

[22] Filed: Sep. 8, 1995

[52] U.S. Cl. D6/500; D6/366

[58] Field of Search D6/334, 364, 365, D6/366, 367, 379, 500, 501, 502; 297/411.2, 452.35, 452.36

[56] **References Cited**

U.S. PATENT DOCUMENTS

D. 233,712	11/1974	Koepke	D6/366
D. 259,000	4/1981	Vogtherr	D6/366
D. 264,643	6/1982	Pelly	D6/366
D. 276,576	12/1984	Helmholdt	D6/366
D. 276,956	1/1985	Aronowitz et al.	D6/366
D. 277,143	1/1985	Helmholdt	D6/366
D. 292,351	10/1987	Brossard et al.	D6/366
D. 296,161	6/1988	Bellini	D6/366
D. 309,385	7/1990	Buhk	D6/366
D. 340,589	10/1993	Chu	D6/366

OTHER PUBLICATIONS

Jacobs Gardner 1988, p. 49, Chair "G" at top right.
The 1988 Office Furniture Mart, p. 48, Chair in frame "B" at top center.

Primary Examiner—Gary D. Watson
Attorney, Agent, or Firm—Ridout & Maybee

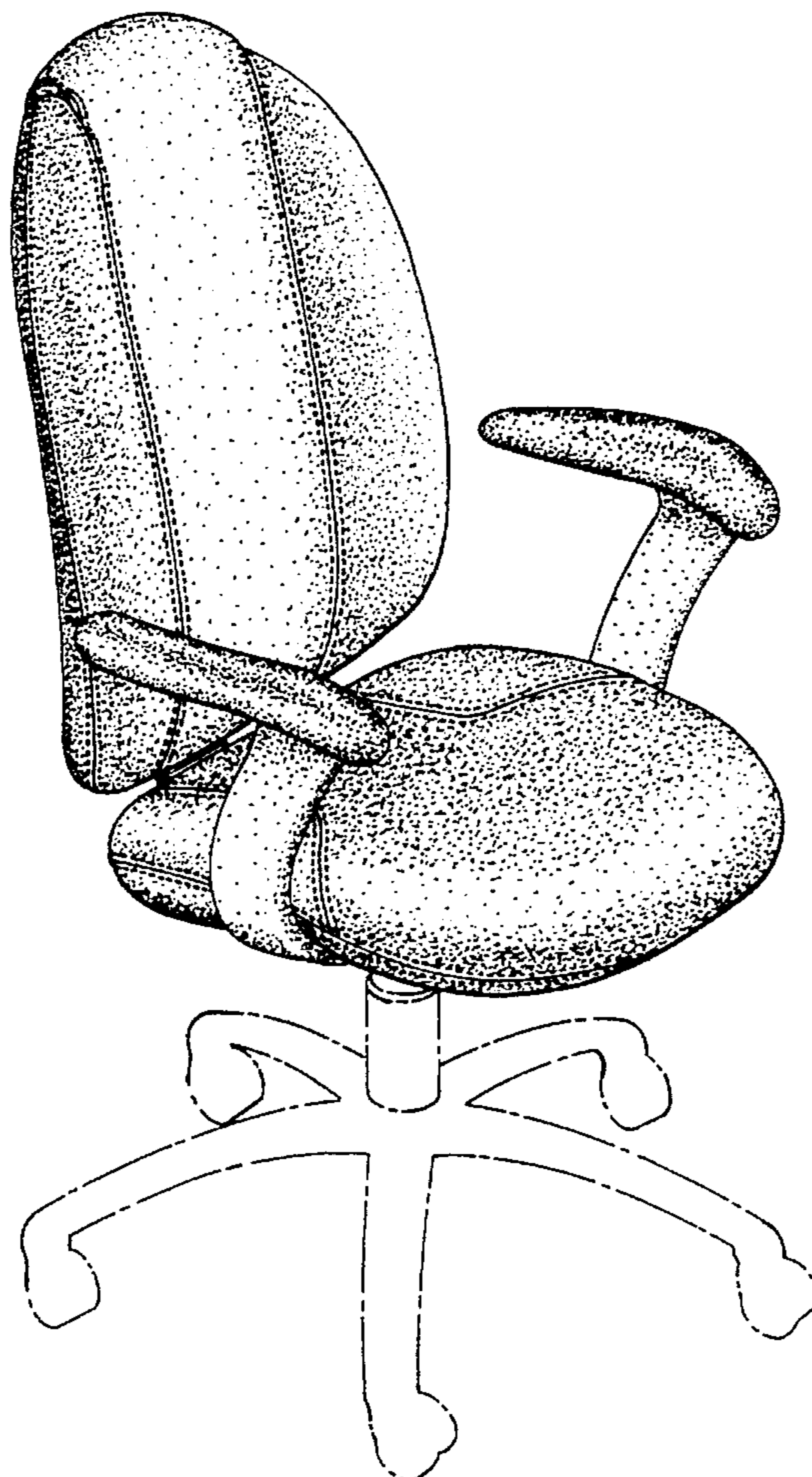
[57] **CLAIM**

The ornamental design for a chair, as shown and described.

DESCRIPTION

FIG. 1 is a perspective view of the my new design for a chair;
FIG. 2 is a side elevation view of my new design for a chair;
FIG. 3 is a front elevation view of my new design for a chair;
FIG. 4 is a rear elevation view of my design for a chair;
FIG. 5 is a top plan view of my design for a chair; and,
FIG. 6 is a sectional view along line 6—6 of FIG. 2 of my new design for a chair.
The broken line showing of a spider base in FIGS. 1, 2, 3 and 4 is for illustrative purposes only and forms no part of the claimed design.

1 Claim, 3 Drawing Sheets



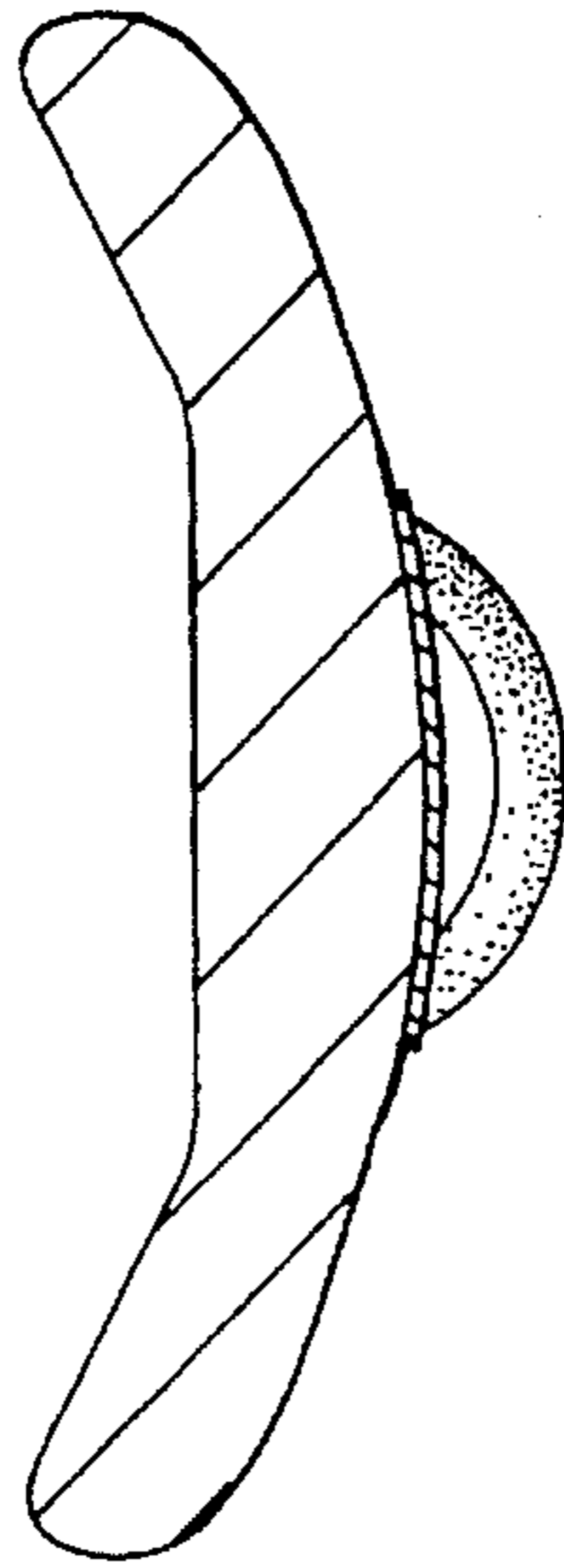


FIG. 6

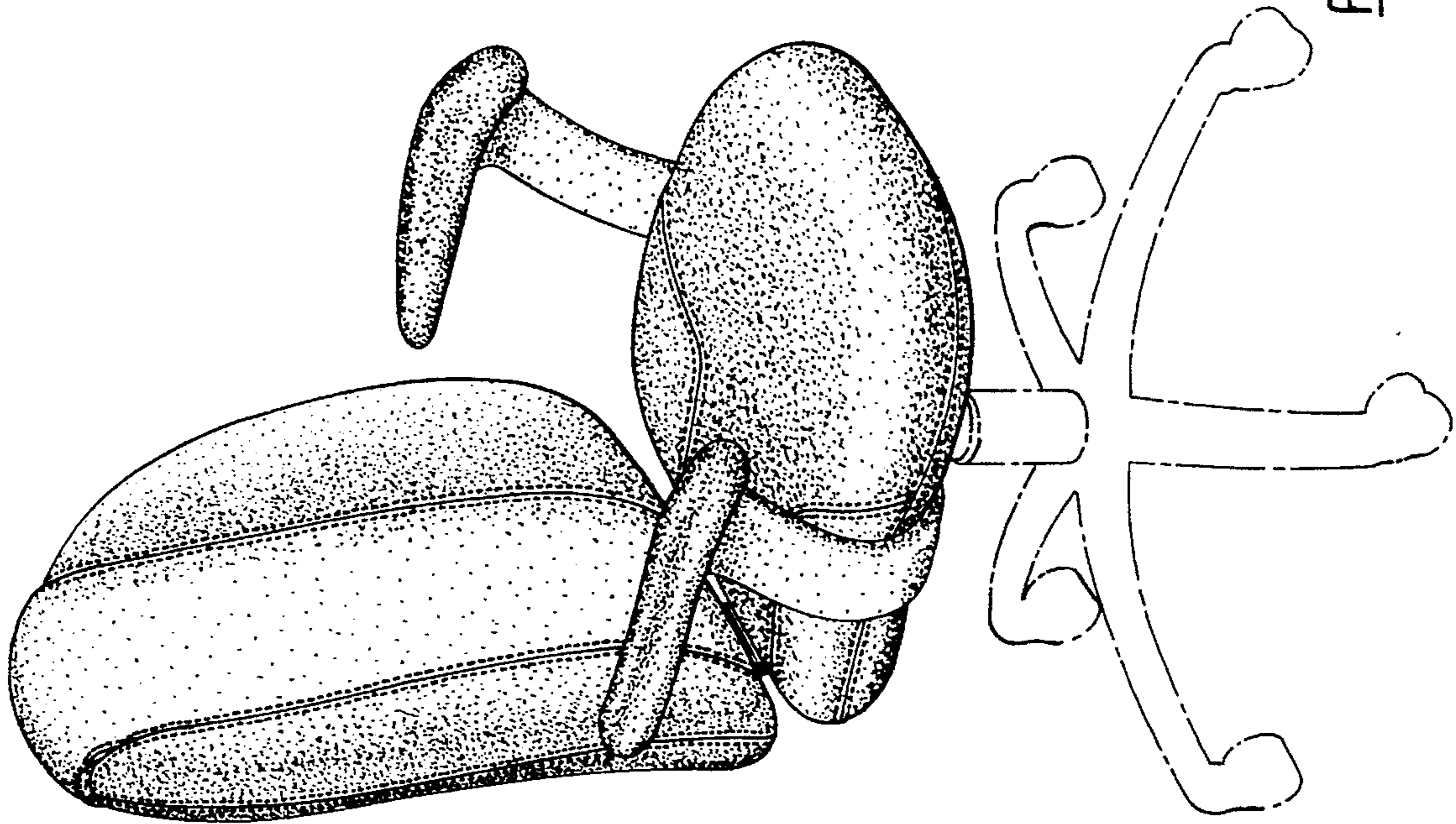
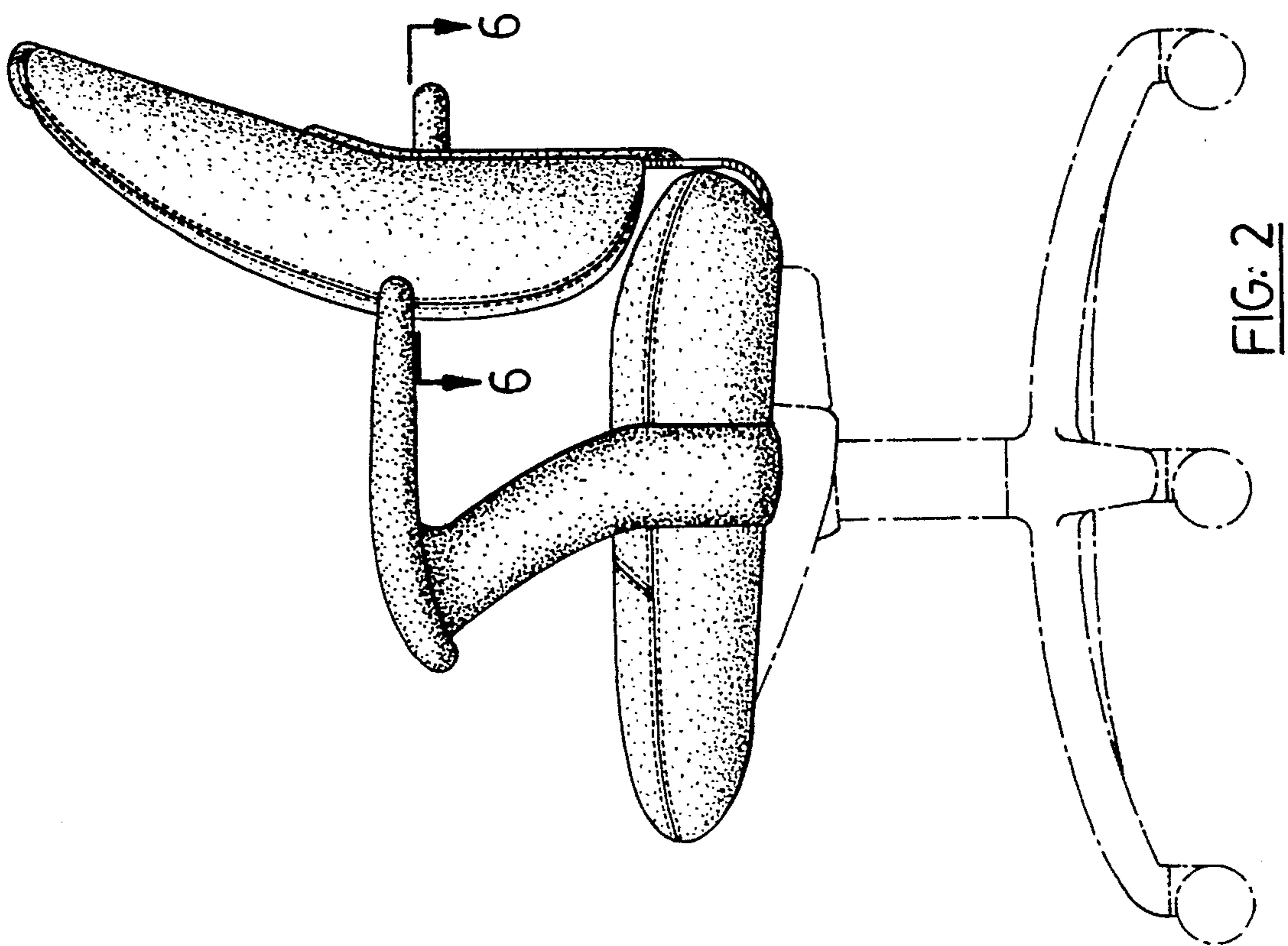
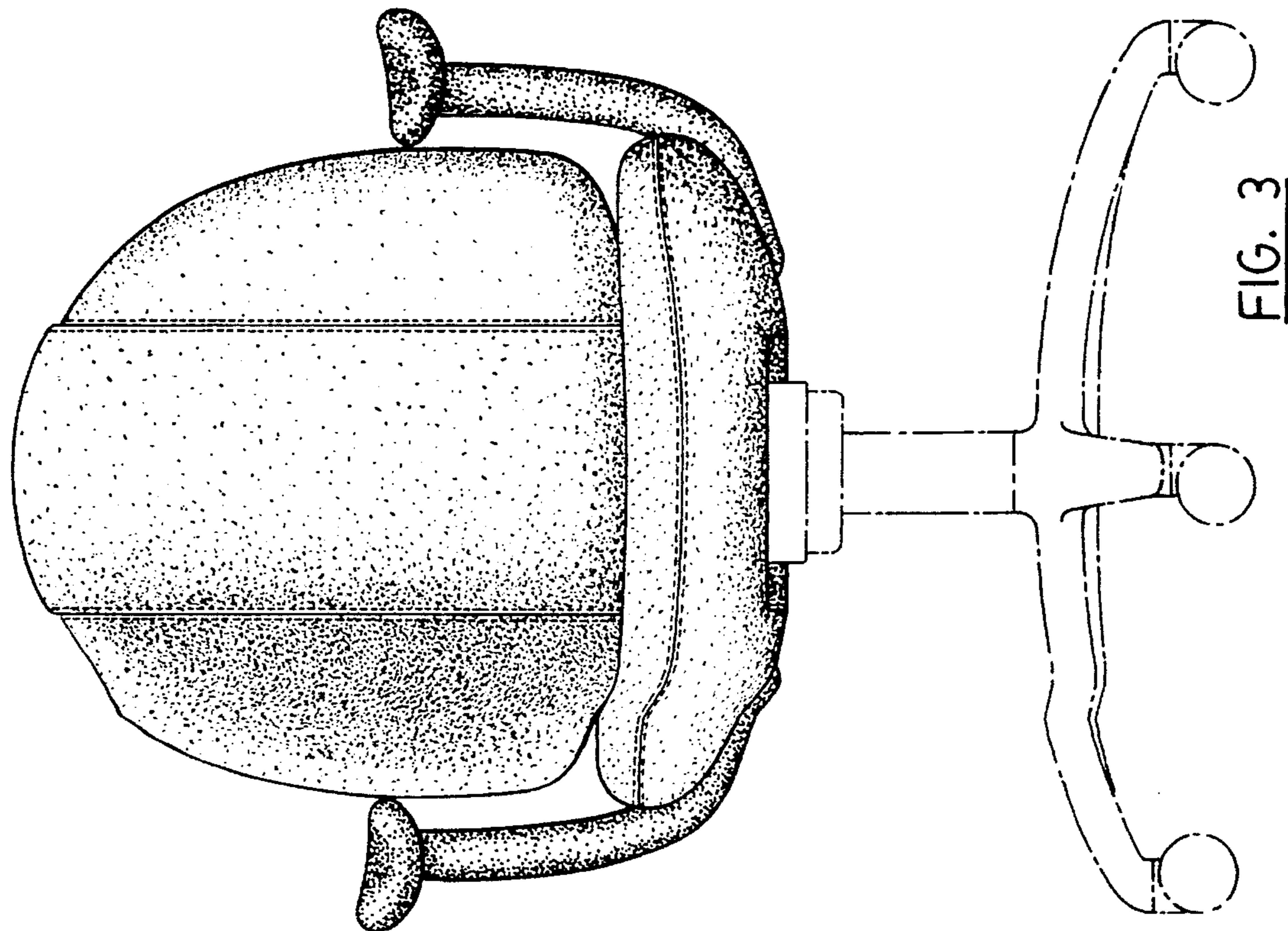


FIG. 1



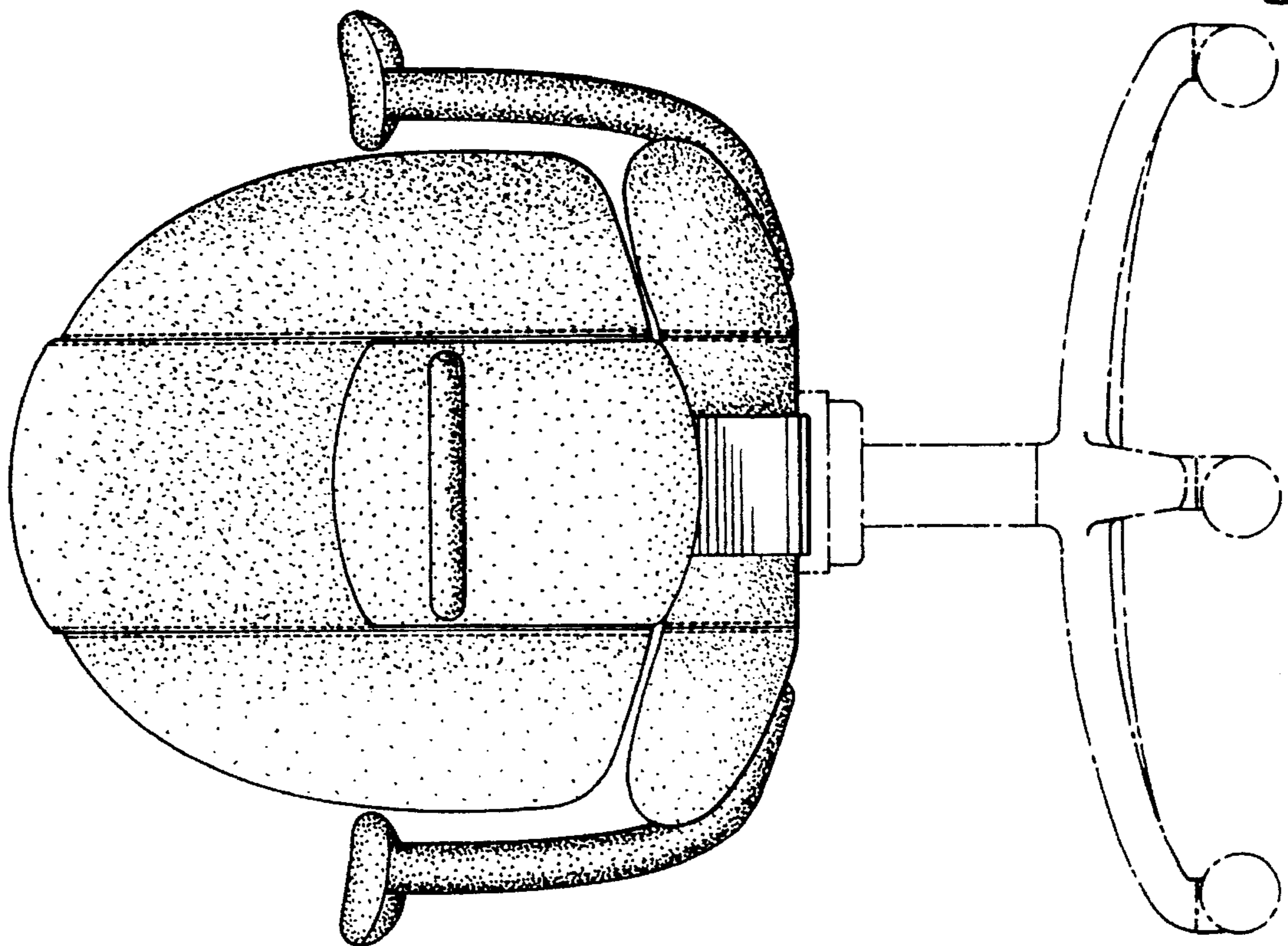


FIG. 4

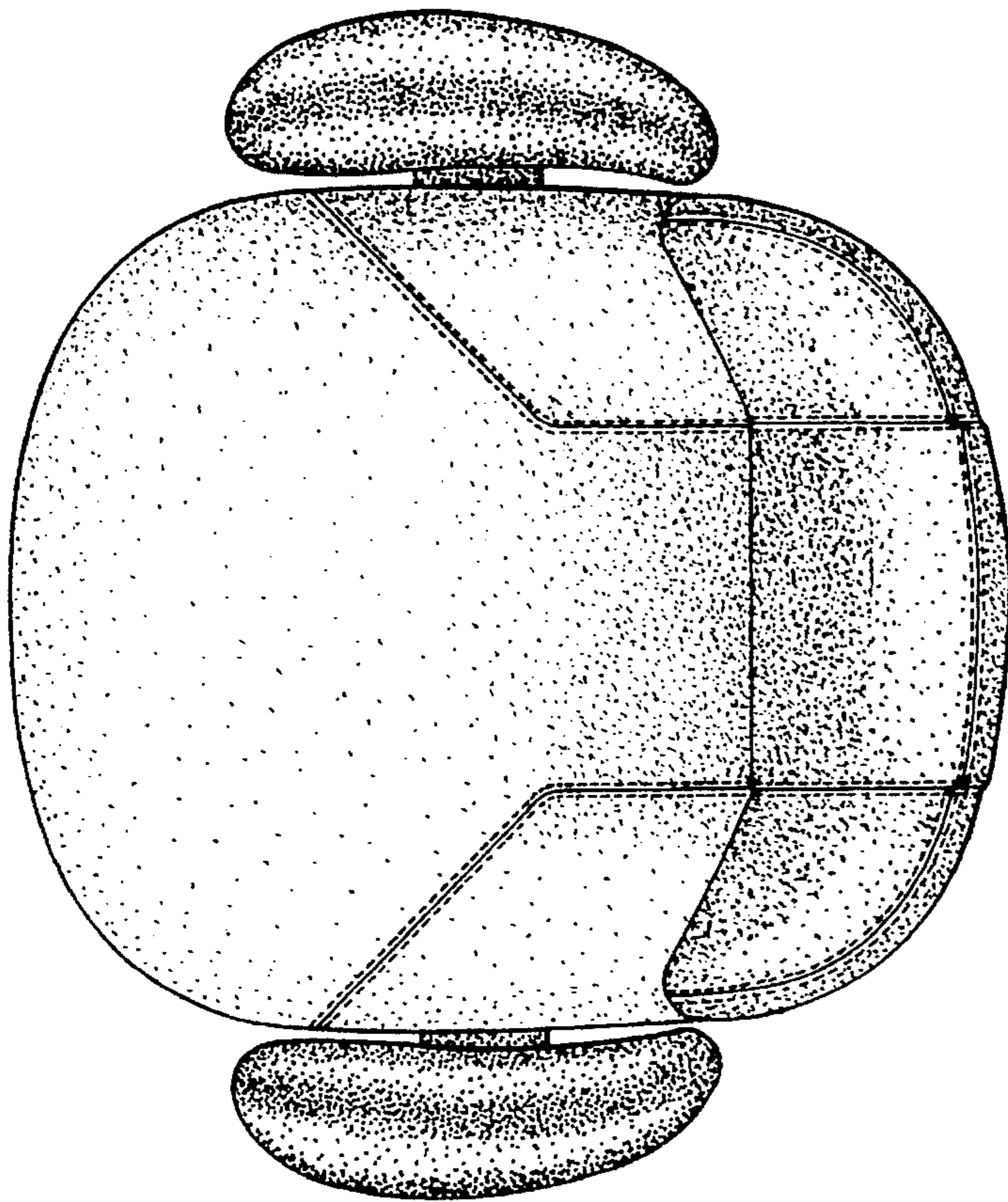


FIG. 5