



US00D373494S

United States Patent [19]

[11] **Patent Number: Des. 373,494**

Lee

[45] **Date of Patent: **Sep. 10, 1996**

[54] **DROP LEAF TABLE**

[76] Inventor: **Chan-shin Lee**, No. 303, Tzuli 1st Rd., Sanmin Dist., Kaohsiung, Taiwan

[**] Term: **14 Years**

[21] Appl. No.: **42,444**

[22] Filed: **Aug. 10, 1995**

[52] U.S. Cl. **D6/480; D6/451**

[58] Field of Search D6/480-489, 495, D6/497, 450, 451; 108/115, 124, 129, 77, 65

[56] **References Cited**

U.S. PATENT DOCUMENTS

D. 145,542	9/1946	Sky	D6/488
D. 249,861	10/1978	Adkinson	D6/446
D. 356,910	4/1995	Tatum et al.	D6/480
2,502,526	4/1950	Loewen	D6/480 X

OTHER PUBLICATIONS

Home Craftsman, Tables, Chairs and Desks, p. 32, table #9 at bottom left.

Victorian Furniture Corp., Lyre coffee table at right.

Primary Examiner—Janice E. Seeger

Attorney, Agent, or Firm—Morton J. Rosenberg; David I. Klein

[57] **CLAIM**

The ornamental design for a drop leaf table, as shown.

DESCRIPTION

FIG. 1 is an elevational view from the front, top and right side of a drop leaf table showing my design;

FIG. 2 is a front view thereof;

FIG. 3 is a rear view thereof;

FIG. 4 is a left side elevational view thereof;

FIG. 5 is a right side elevational view thereof;

FIG. 6 is a top plan view thereof; and,

FIG. 7 is a bottom plan view thereof.

1 Claim, 4 Drawing Sheets

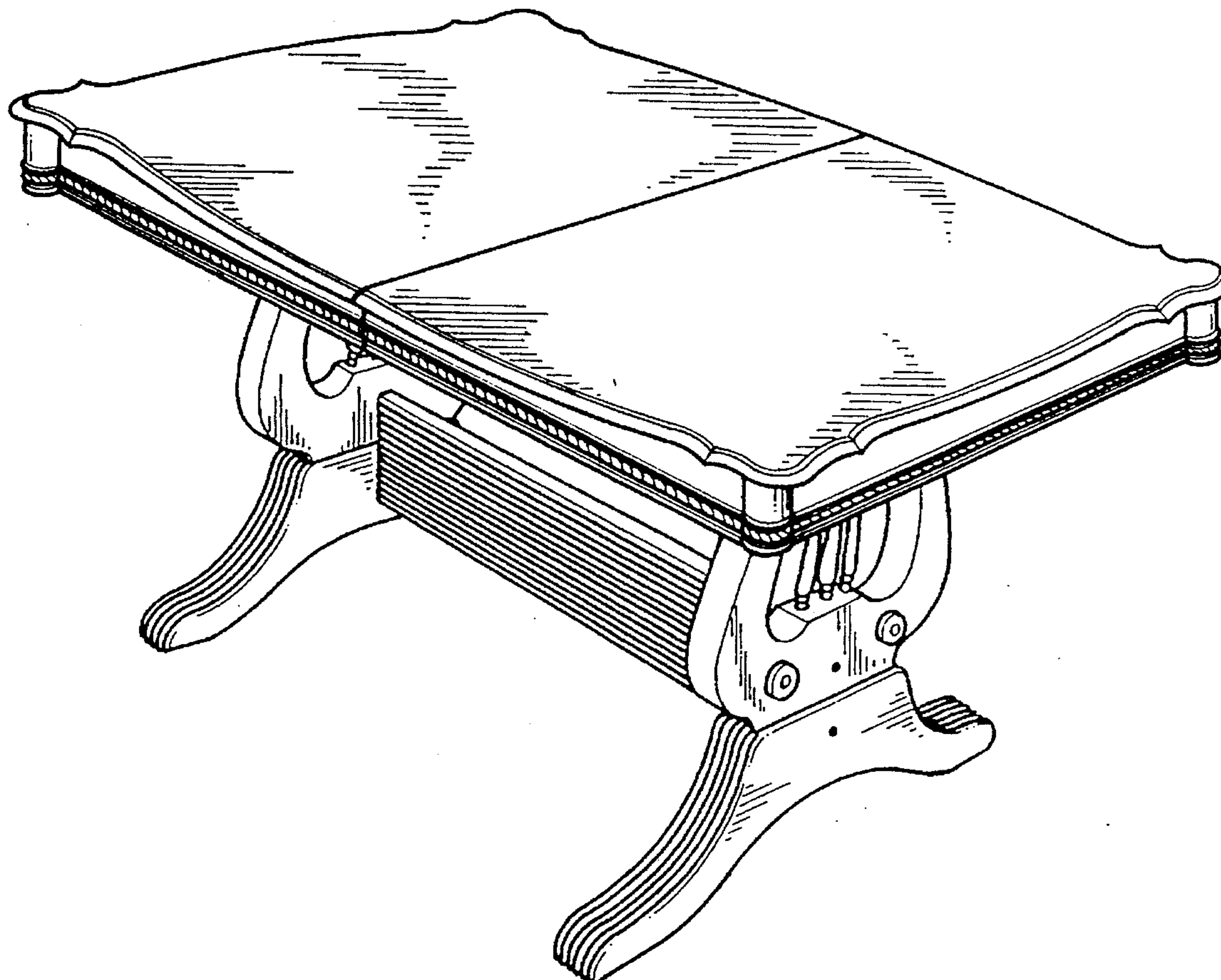
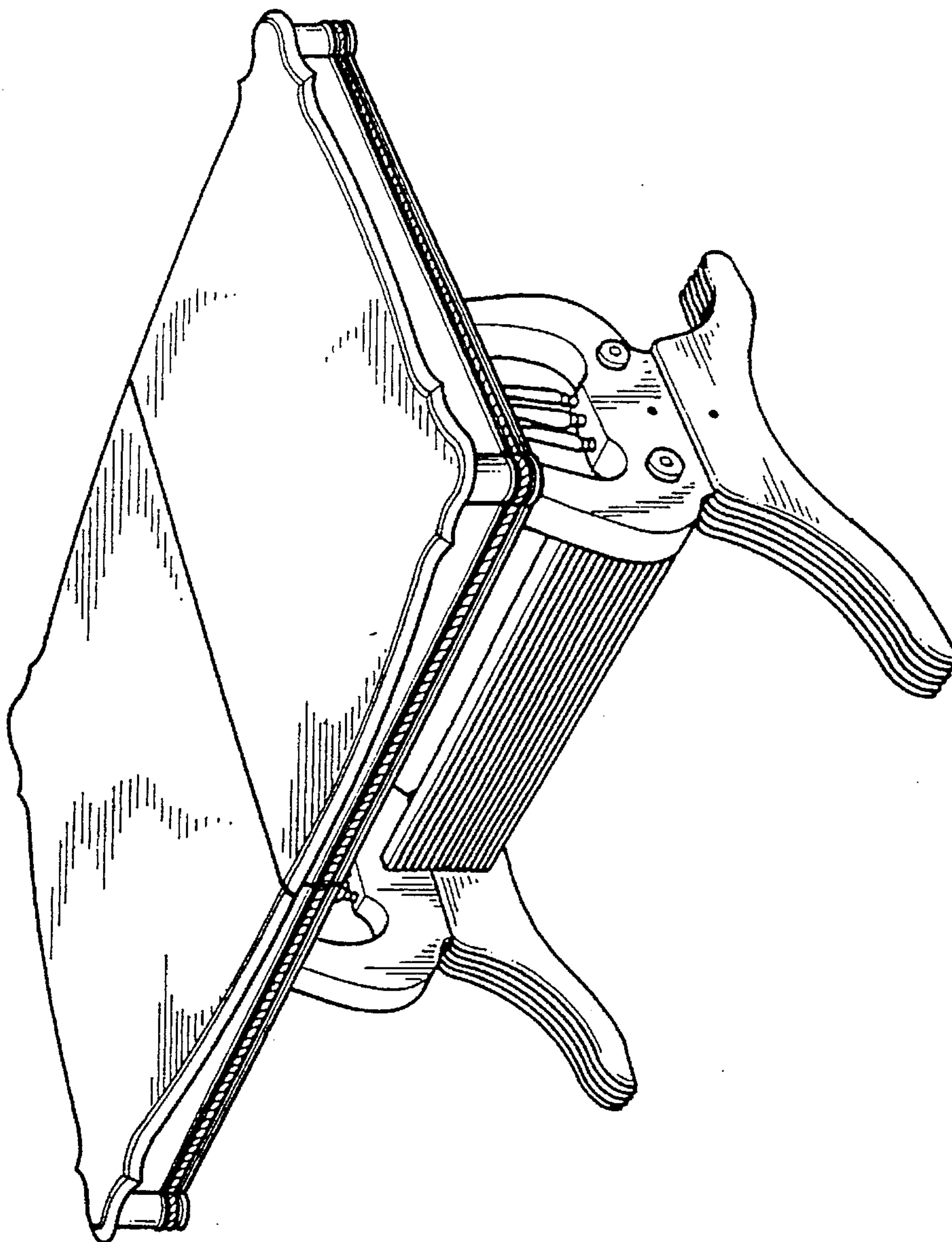


FIG. 1



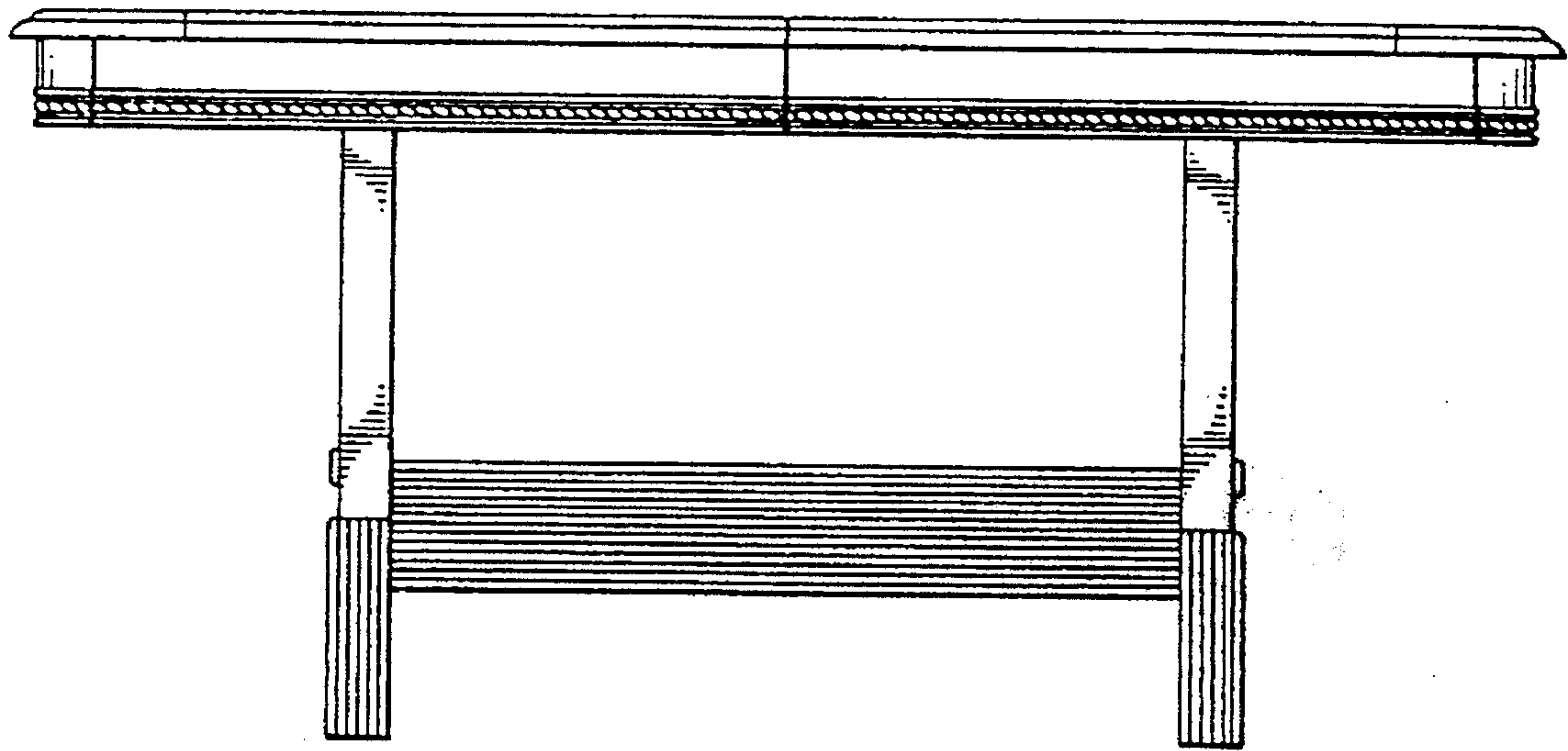


FIG. 2

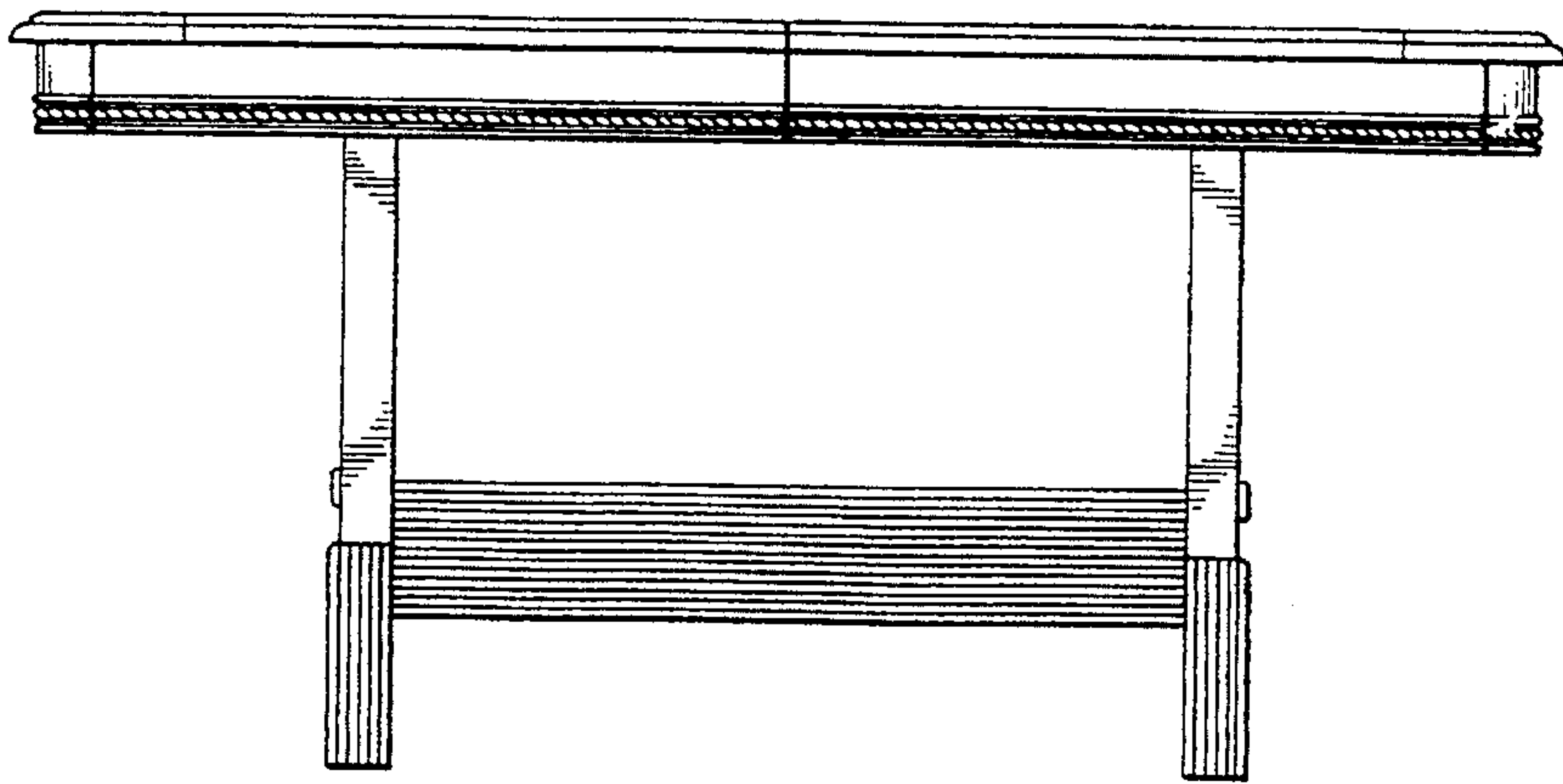


FIG. 3

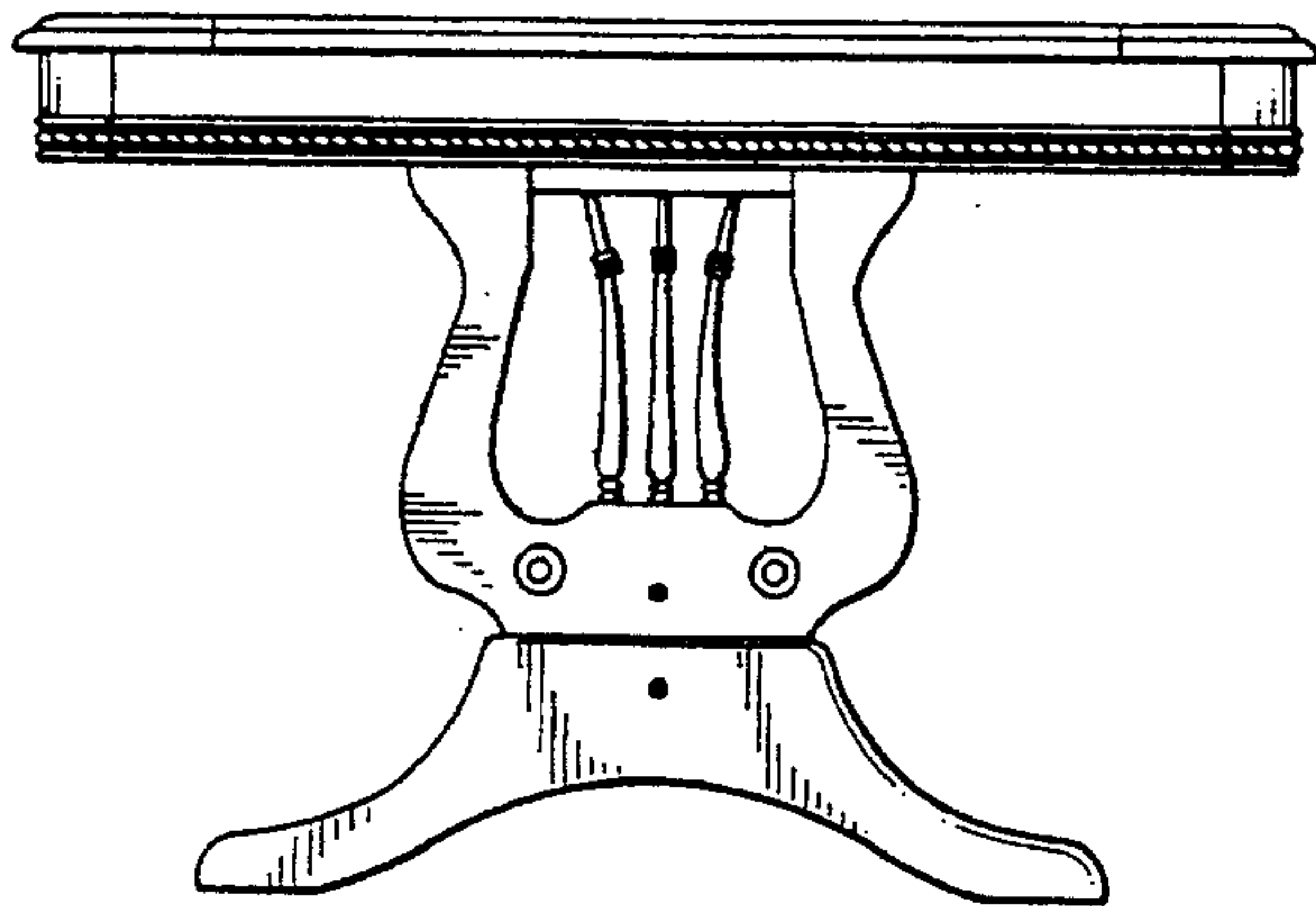


FIG. 4

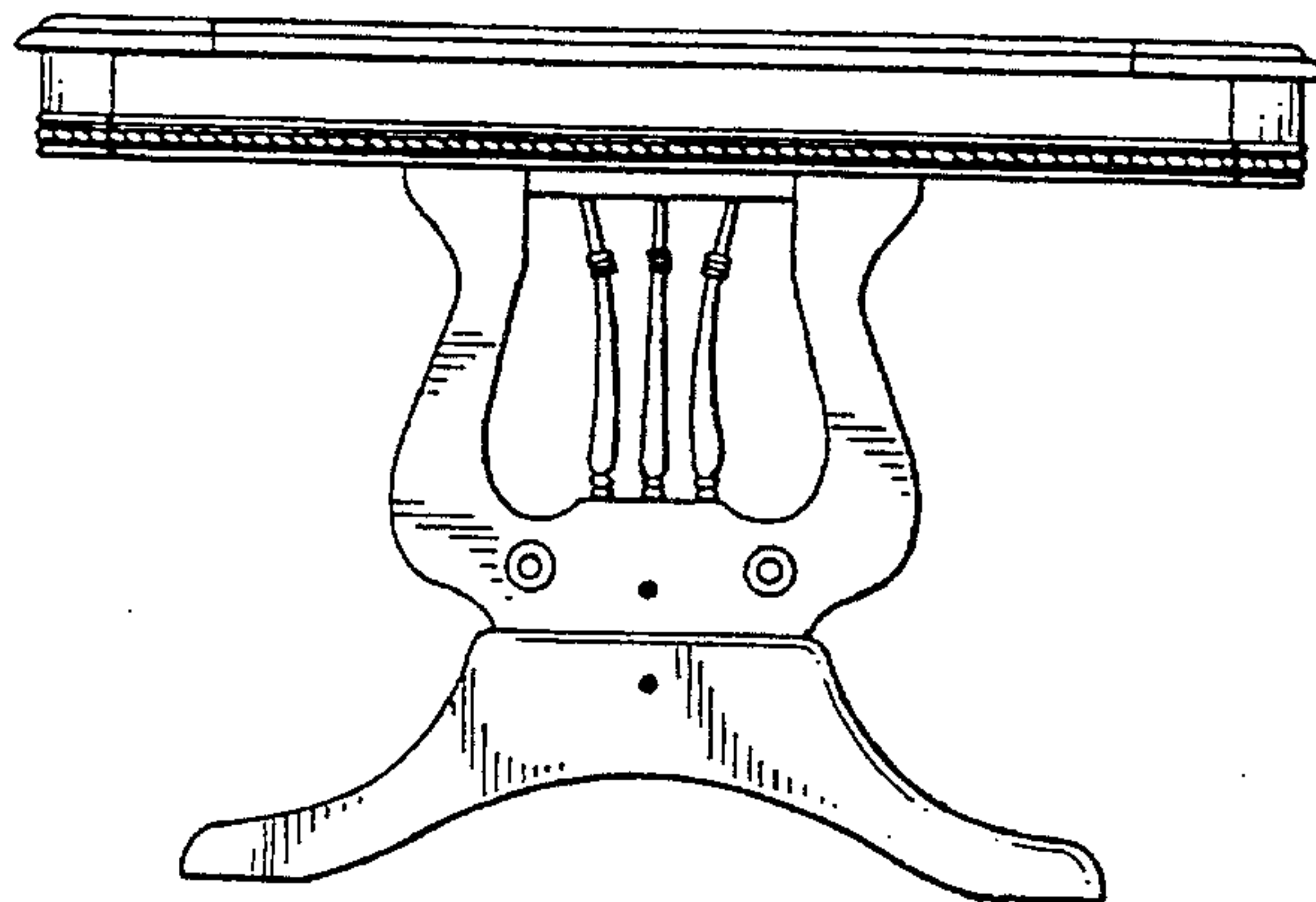


FIG. 5

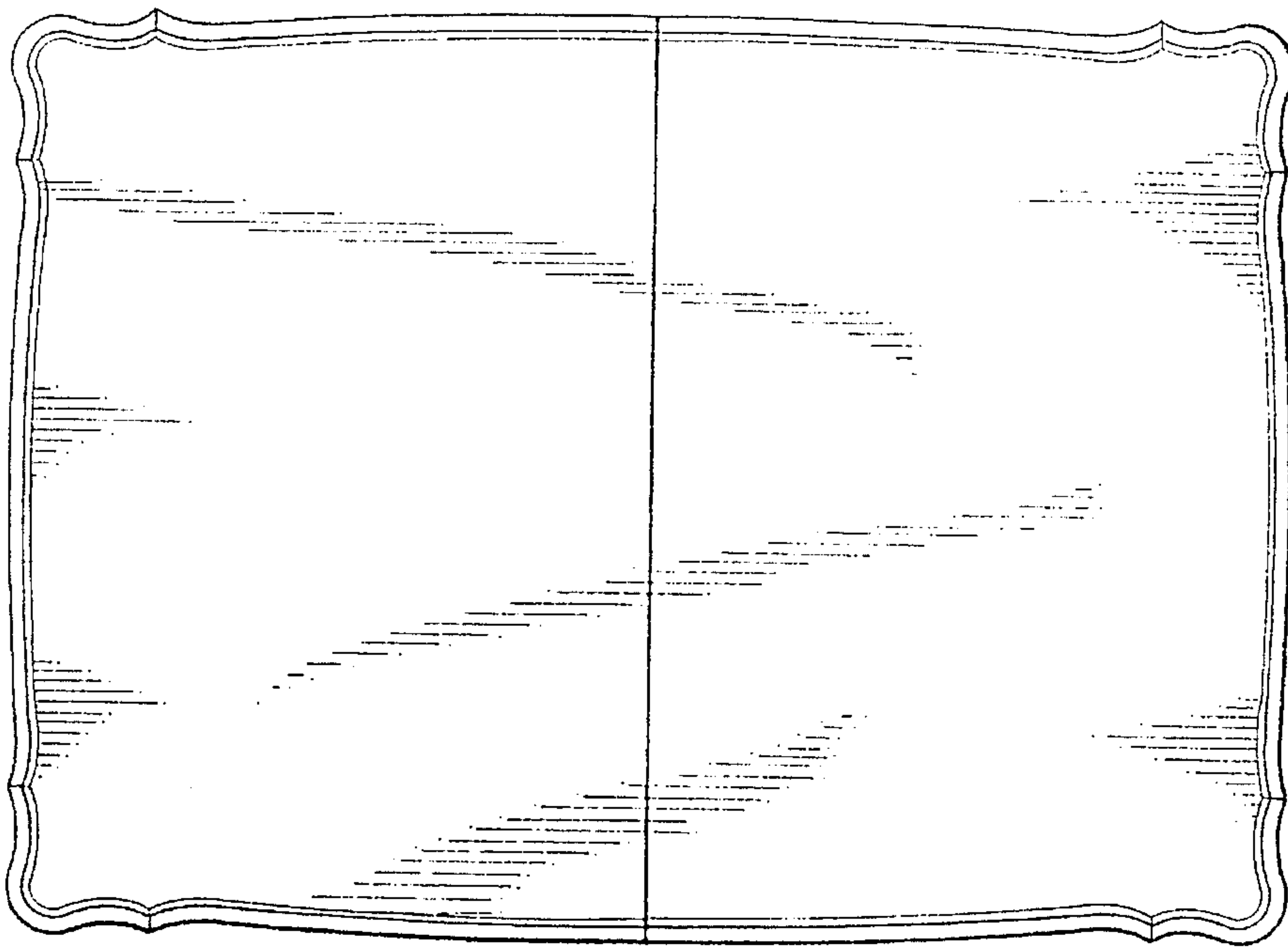


FIG. 6

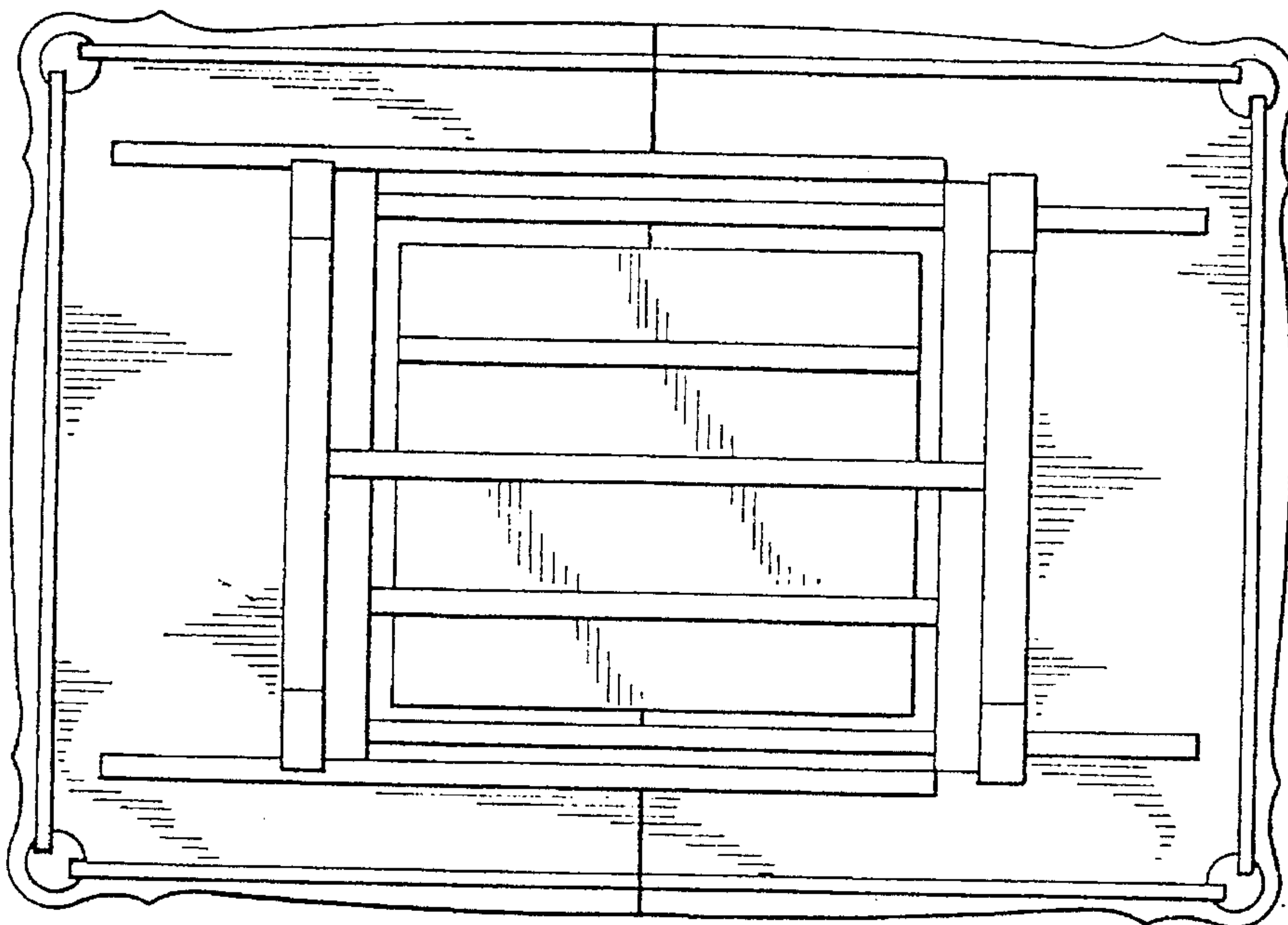


FIG. 7