



US00D373493S

# United States Patent [19]

Barish

[11] Patent Number: **Des. 373,493**

[45] Date of Patent: **\*\*Sep. 10, 1996**

[54] **TOP CLOSURE FOR FREEZER**

[75] Inventor: **Sidney Barish**, Richmond Hill, Canada

[73] Assignee: **Creative Carts & Freezers Inc.**,  
Richmond Hill, Canada

[\*\*] Term: **14 Years**

[21] Appl. No.: **8,173**

[22] Filed: **May 10, 1993**

[30] **Foreign Application Priority Data**

Apr. 19, 1993 [CA] Canada ..... 14-04-93-2

[52] **U.S. Cl.** ..... **D6/472; D15/89**

[58] **Field of Search** ..... D6/470, 471, 472,  
D6/481, 436, 437, 438, 440, 441; 312/116,  
138.1, 139.1; D15/79, 81, 83, 89

[56] **References Cited**

**U.S. PATENT DOCUMENTS**

D. 190,006 3/1961 Nelson ..... D6/440

D. 299,391 1/1989 Meehan ..... D6/440  
D. 307,026 4/1990 Barish ..... D6/472 X

*Primary Examiner*—Alan P. Douglas  
*Assistant Examiner*—S. Snapp  
*Attorney, Agent, or Firm*—Bauer & Schaffer

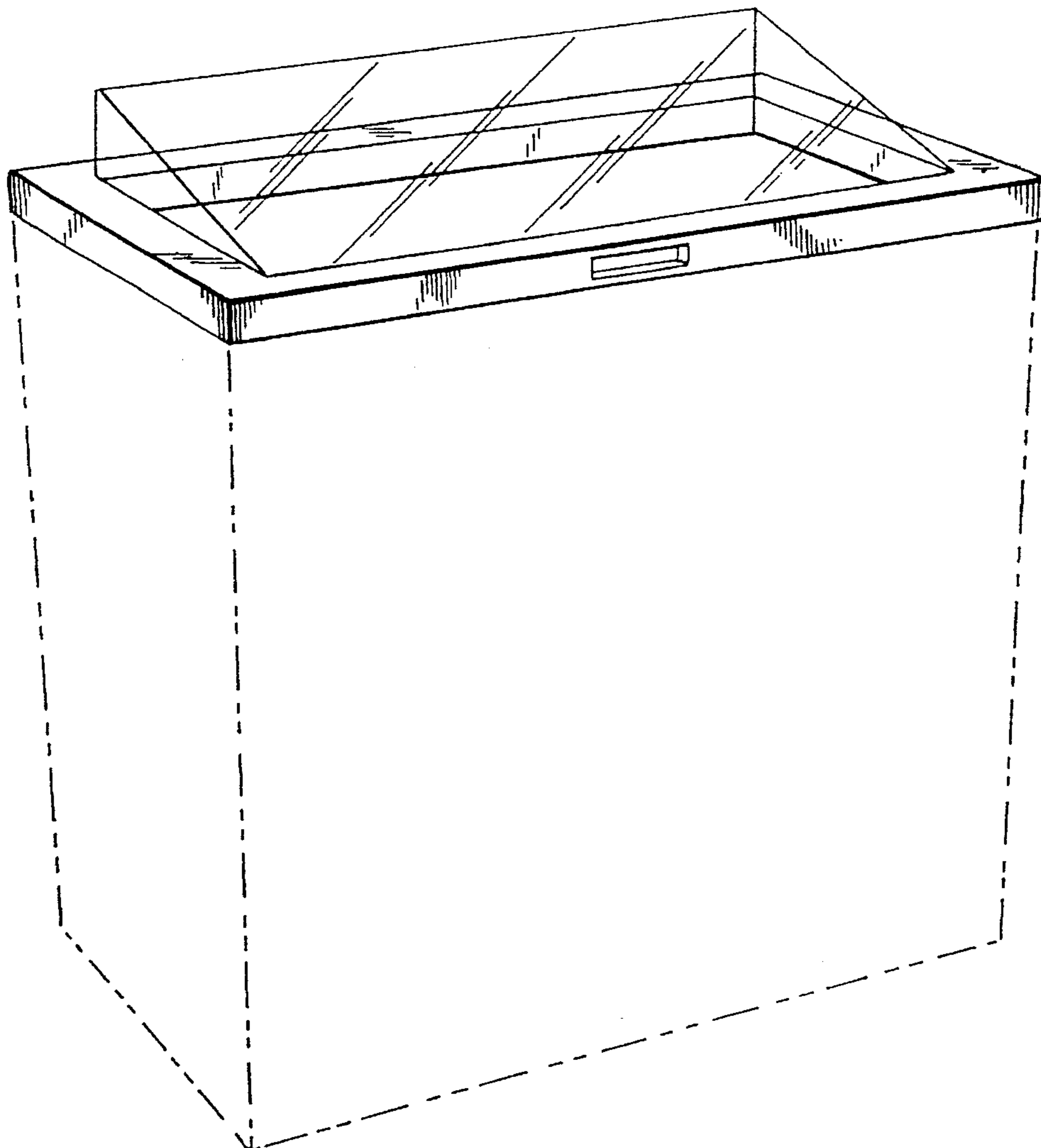
[57] **CLAIM**

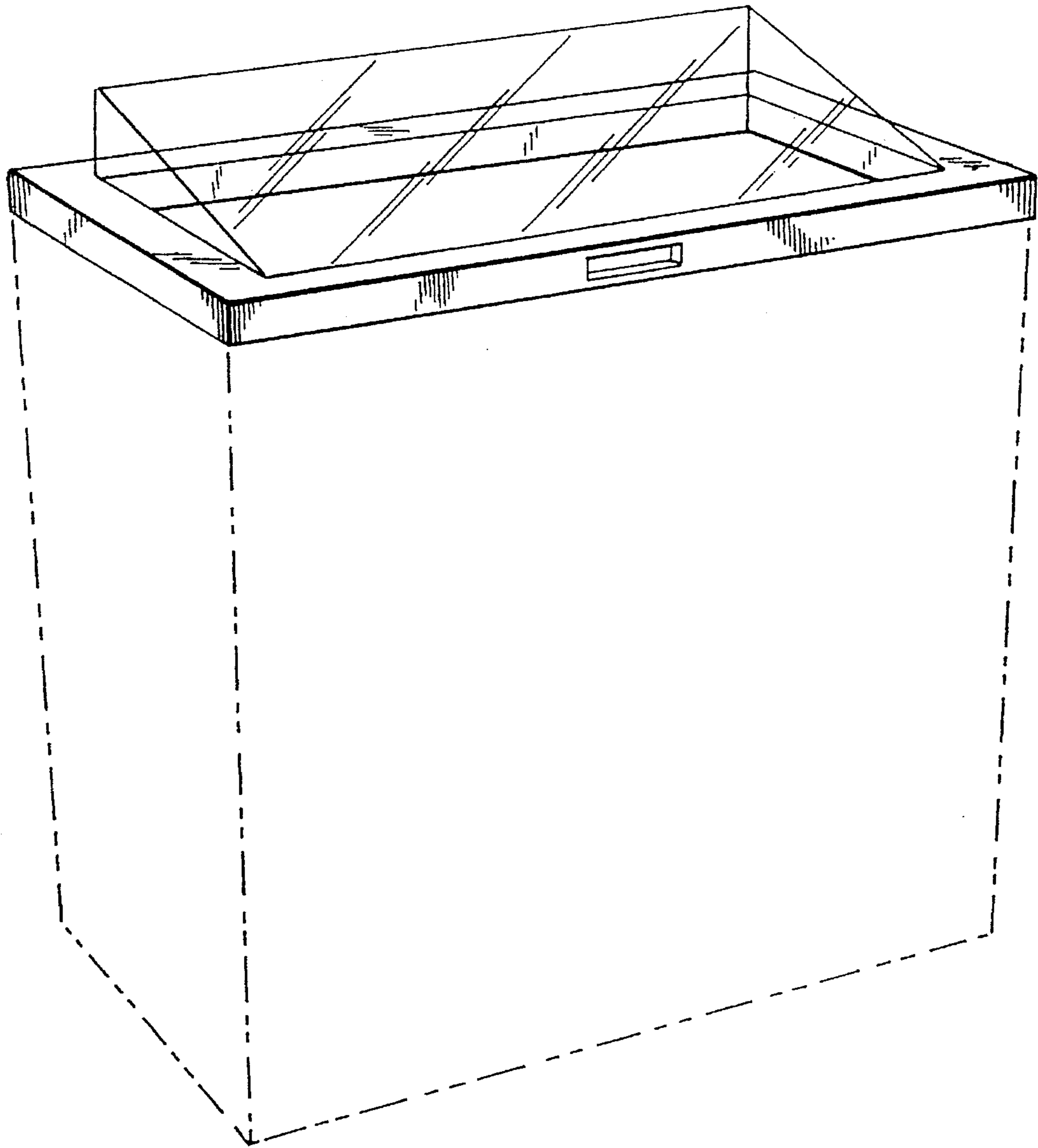
The ornamental design for top closure for freezer, as shown and described.

**DESCRIPTION**

FIG. 1 is a perspective view of the top closure for freezer according to the design;  
FIG. 2 is a side elevation of the design, the other side being a mirror image thereof;  
FIG. 3 is a front elevation of the design of FIG. 1;  
FIG. 4 is a rear elevation of the design;  
FIG. 5 is a bottom plan of the design; and,  
FIG. 6 is a top plan of the design.  
The broken line showing of the freezer is for illustrative purposes only and forms no part of the claimed design.

**1 Claim, 2 Drawing Sheets**



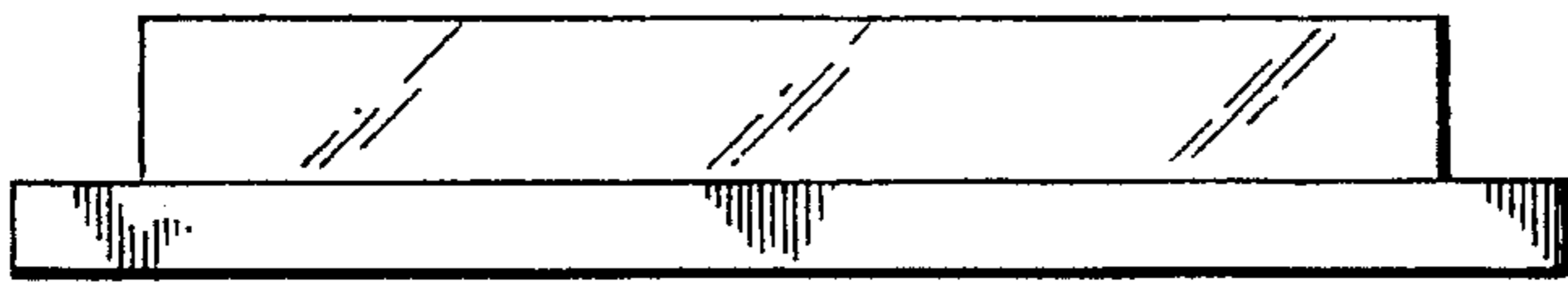


**FIG.1**



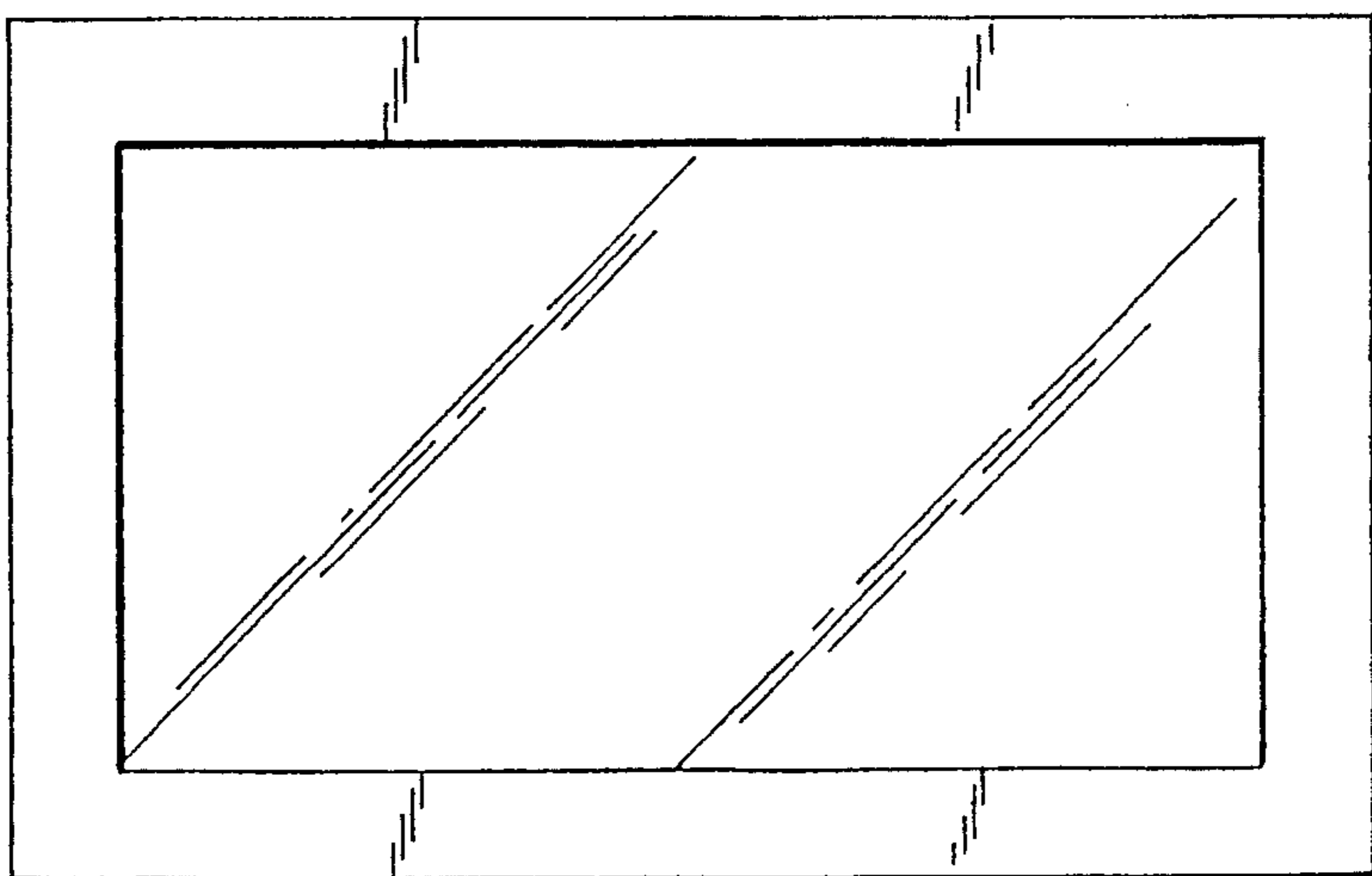
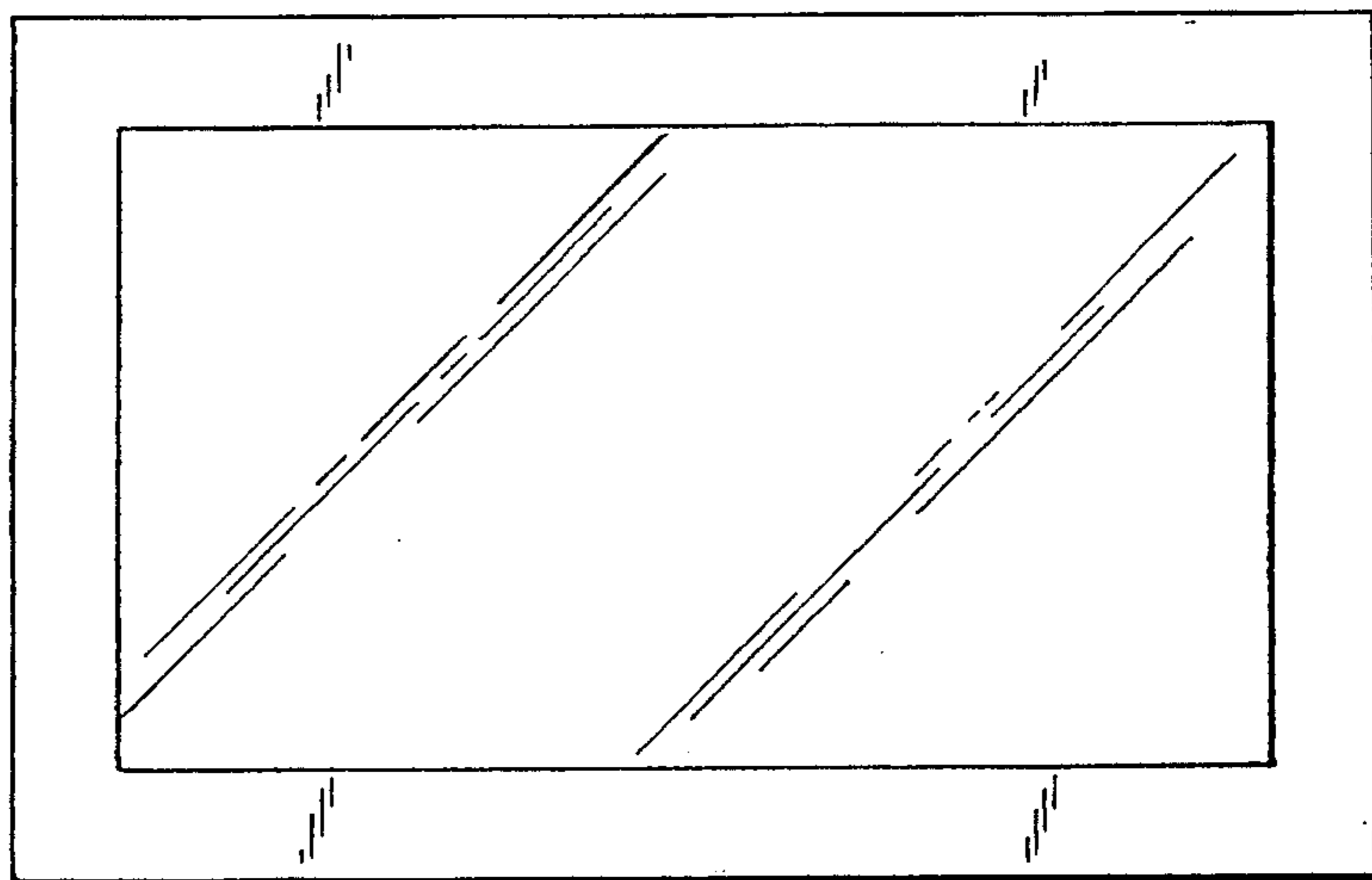
**FIG. 2**

**FIG. 3**



**FIG. 4**

**FIG. 5**



**FIG. 6**

UNITED STATES PATENT AND TRADEMARK OFFICE  
CERTIFICATE OF CORRECTION

PATENT NO. : DES 373,493  
DATED : Sept. 10, 1996  
INVENTOR(S) : Sidney Barish

It is certified that error appears in the above-identified patent and that said Letters Patent are hereby corrected as shown below:

Title page, item [30] Foreign Application Priority Data should read--  
Apr. 14, 1993 [Can] Canada 14-04-93-2

Signed and Sealed this  
Seventeenth Day of December, 1996

Attest:



BRUCE LEHMAN

Attesting Officer

Commissioner of Patents and Trademarks