



US00D373486S

United States Patent [19]

Keller et al.

[11] Patent Number: Des. 373,486

[45] Date of Patent: **Sep. 10, 1996

[54] BED

[75] Inventors: **H. Thomas Keller; Scott Risdon**, both of High Point, N.C.

[73] Assignee: **Vaughan Furniture Company, Inc.**, Galax, Va.

[**] Term: **14 Years**

[21] Appl. No.: **44,820**

[22] Filed: **Sep. 29, 1995**

Related U.S. Application Data

[62] Division of Ser. No. 30,024, Oct. 20, 1994.

[52] U.S. Cl. **D6/393**

[58] Field of Search D6/382, 393-395, D6/505; 5/53.1, 279.1, 280, 281, 907

[56] References Cited

U.S. PATENT DOCUMENTS

D. 294,312	2/1988	Gleason	D6/395
D. 342,394	12/1993	Black	D6/393
D. 343,735	2/1994	Ferguson	D6/393
D. 345,264	3/1994	Stone et al.	D6/393
D. 366,779	2/1996	Muller	D6/395

OTHER PUBLICATIONS

Spiegel Fall 1985 p. 366; sleigh bed on page.
"Directions"—Woodward & Lothrop p. 35; sleigh bed on page.

Ethan Allen Treasury p. 251; sleigh bed #4 center of page.
Home Design Sale—Bloomingdales Jun-Jul./1994 p. 8; sleigh bed top right on page.

Primary Examiner—Carmen H. Vales-Lado
Attorney, Agent, or Firm—Rhodes Coats & Bennett, L.L.P.

[57] CLAIM

The ornamental design for a bed, as shown and described.

DESCRIPTION

FIG. 1 is a front perspective view of a bed showing our new design;

FIG. 2 is a front perspective view of the headboard portion of the bed;

FIG. 3 is a side elevational view, the opposite side being a mirror image thereof;

FIG. 4 is a front elevational view thereof;

FIG. 5 is a front perspective view of the footboard of the bed;

FIG. 6 is a side elevational view, the opposite side being a mirror image;

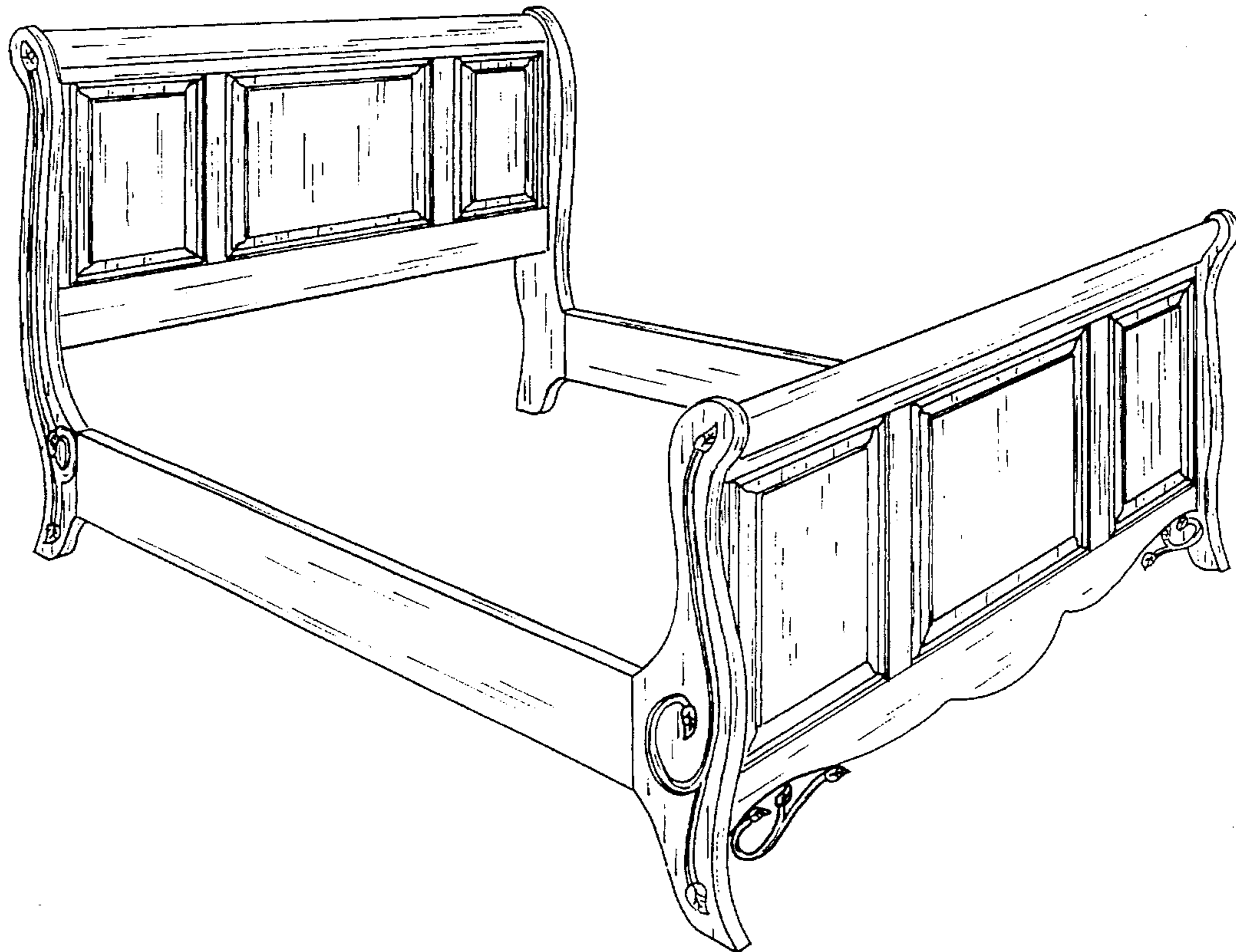
FIG. 7 is a front elevational view thereof; and,

FIG. 8 is an enlarged fragmentary view thereof.

The rear of the headboard and footboard not depicted, are not part of the claimed design.

The support rails are shown broken away in FIGS. 2-6 and 8 for convenience of illustration.

1 Claim, 8 Drawing Sheets



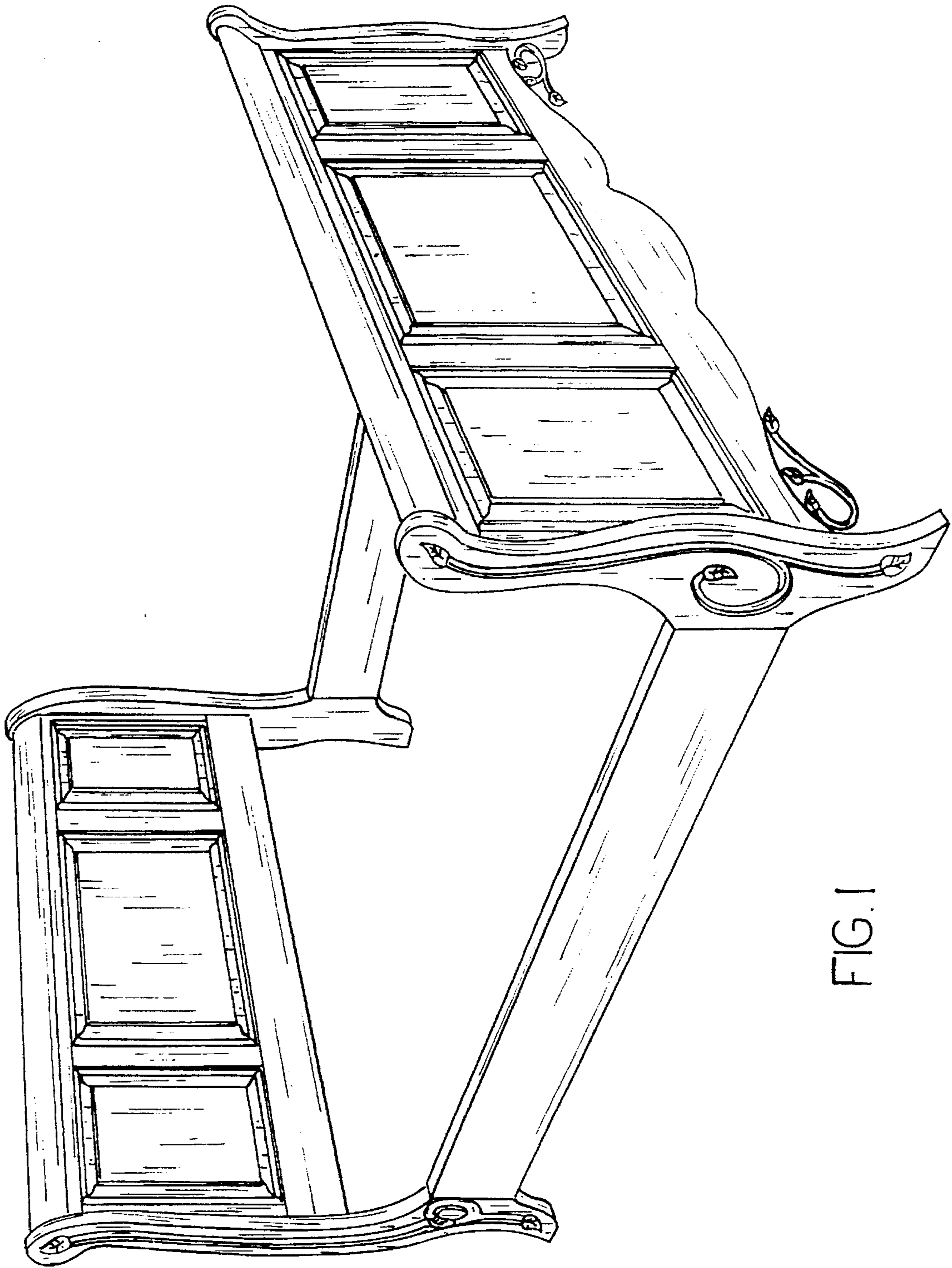


FIG. 1

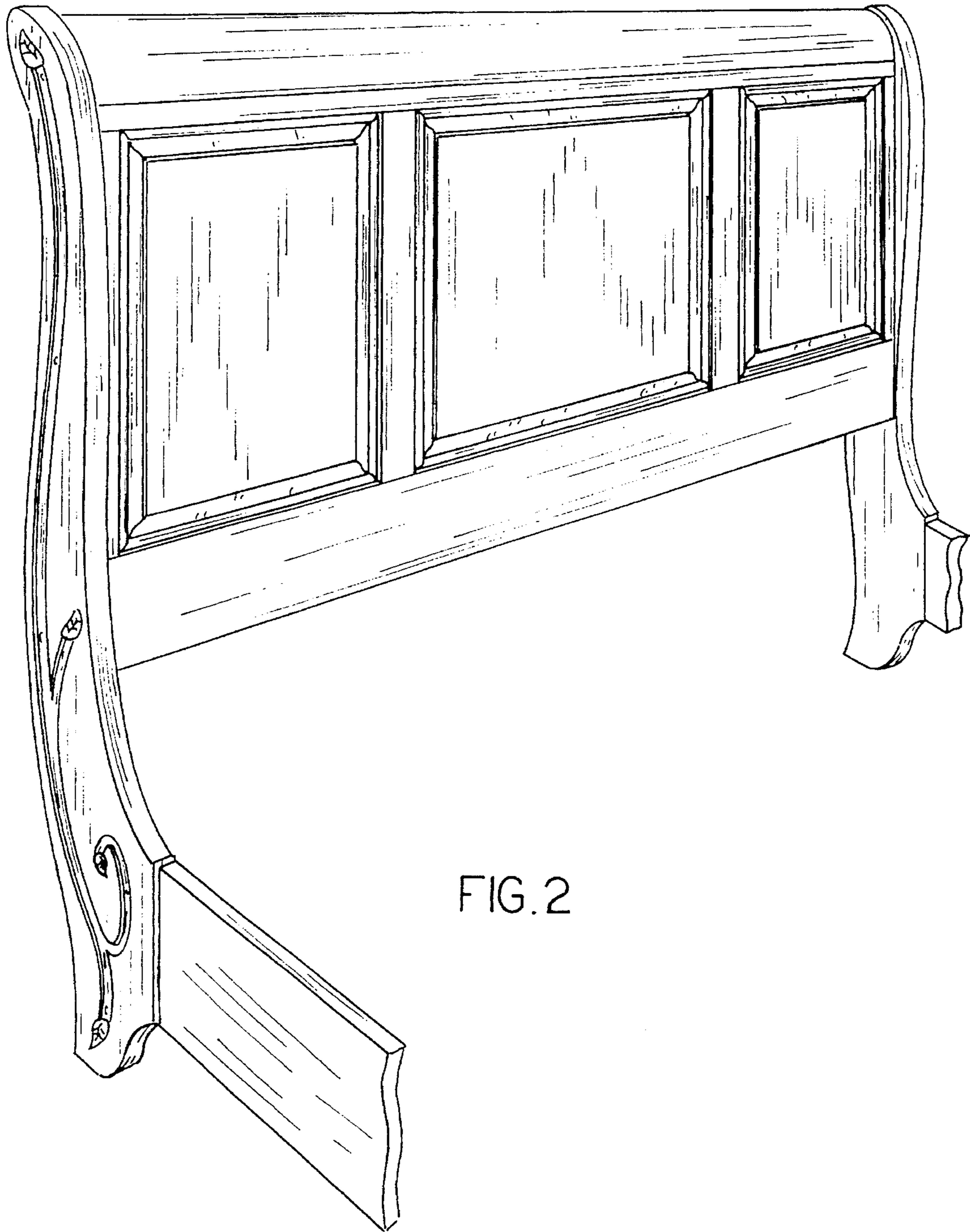
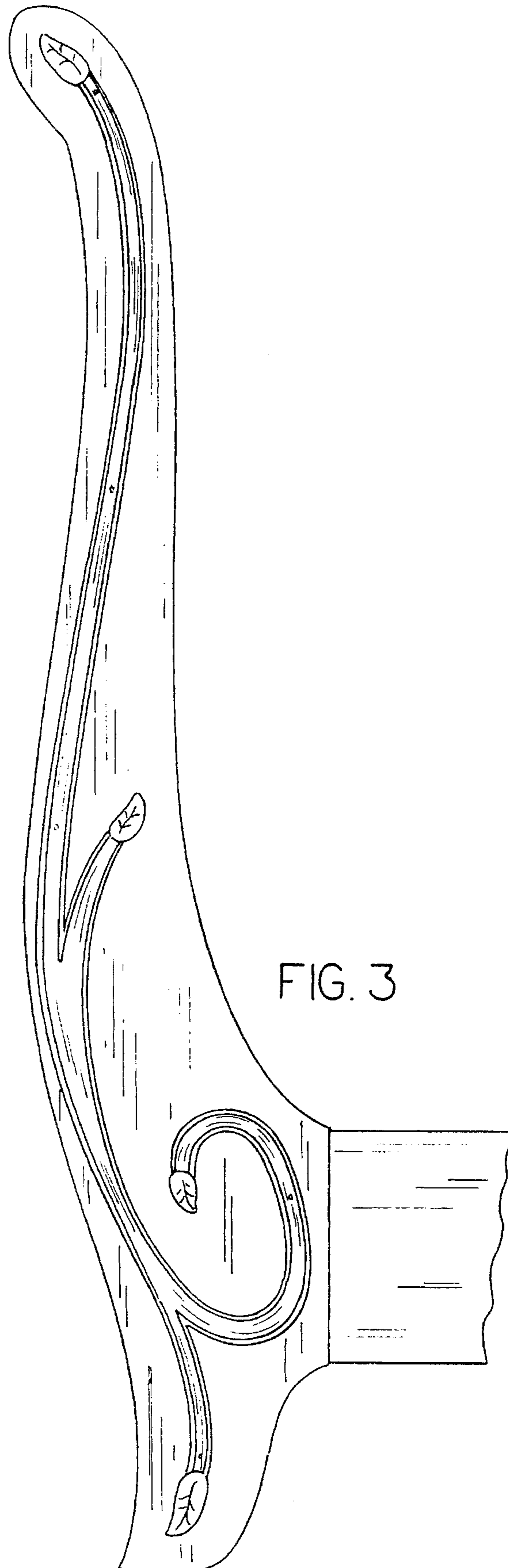


FIG. 2



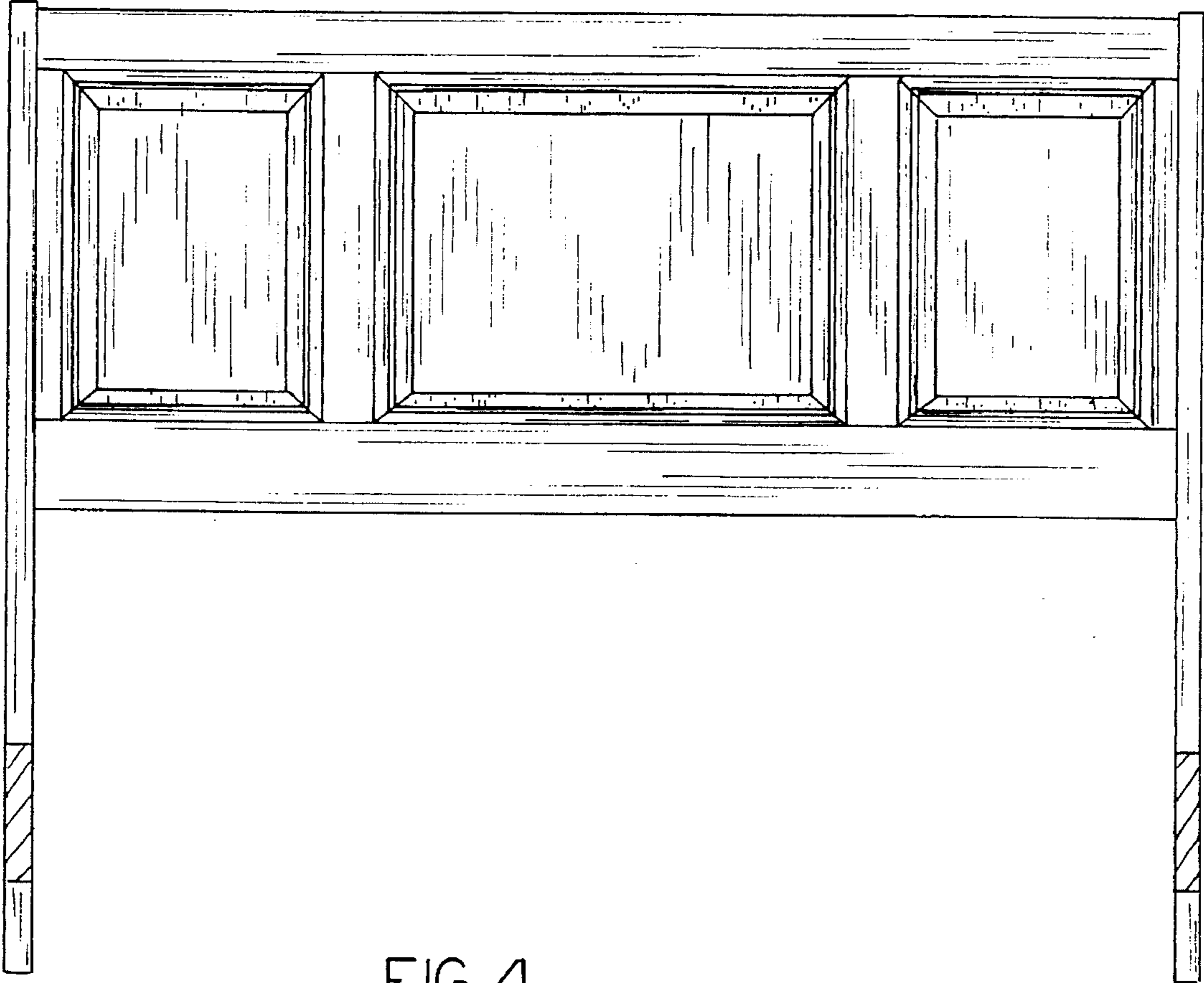


FIG. 4

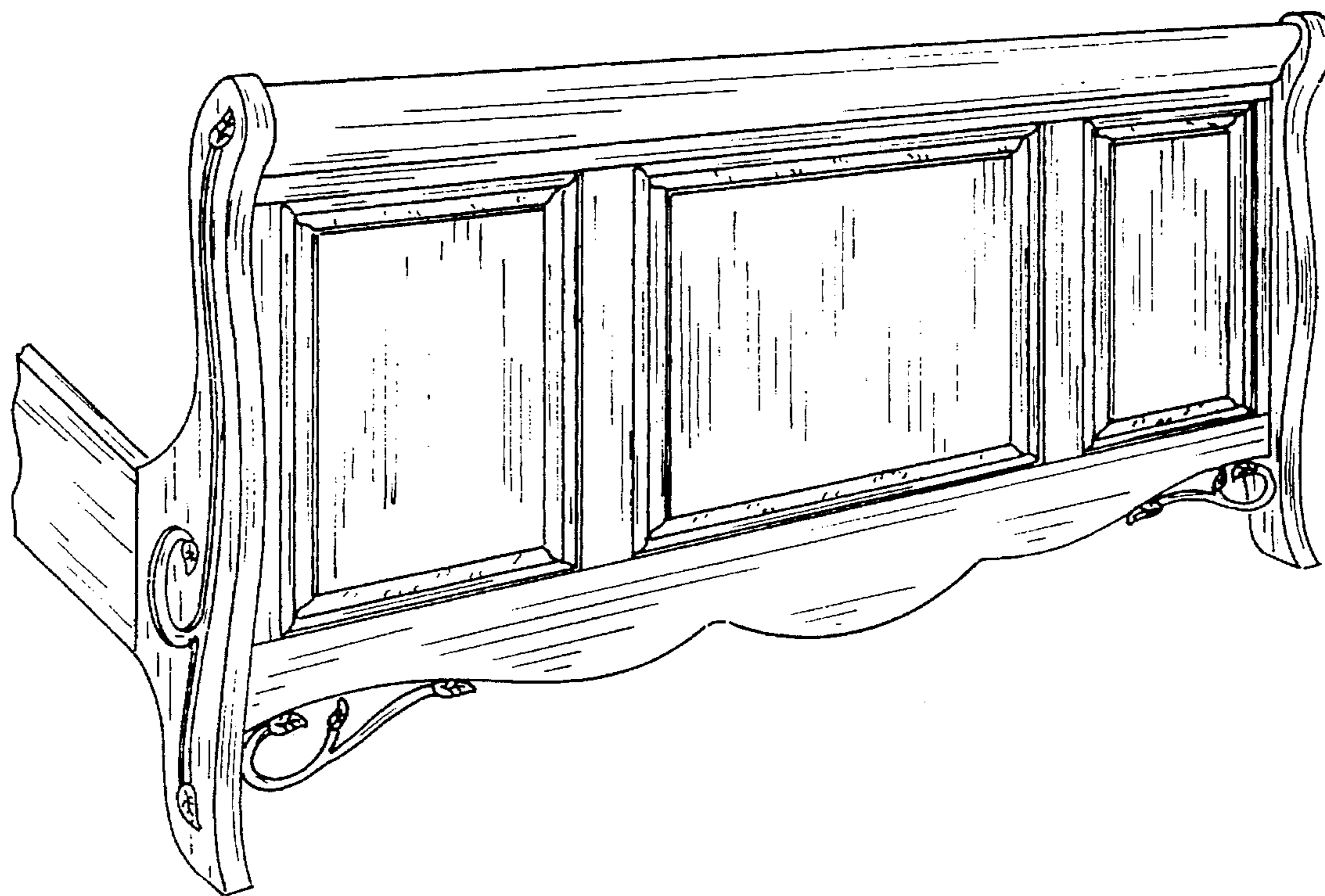


FIG. 5

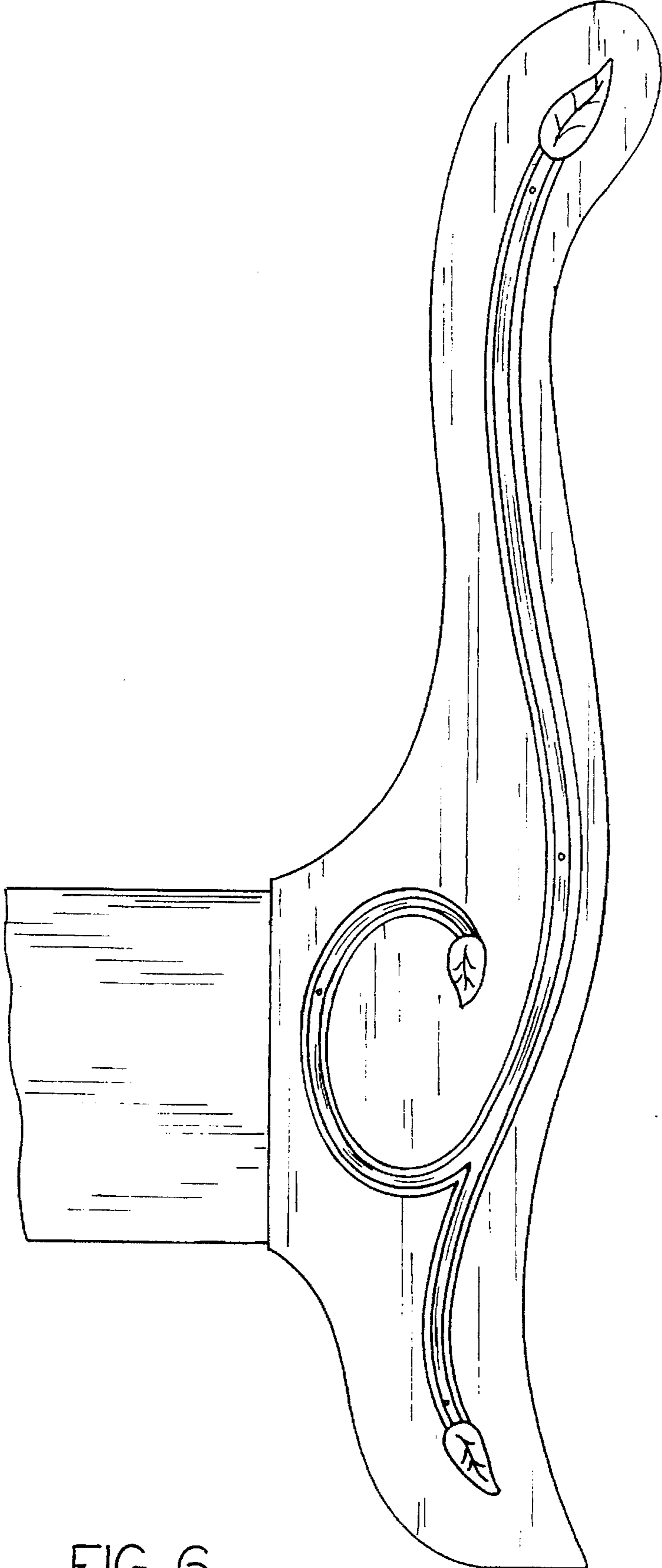


FIG. 6

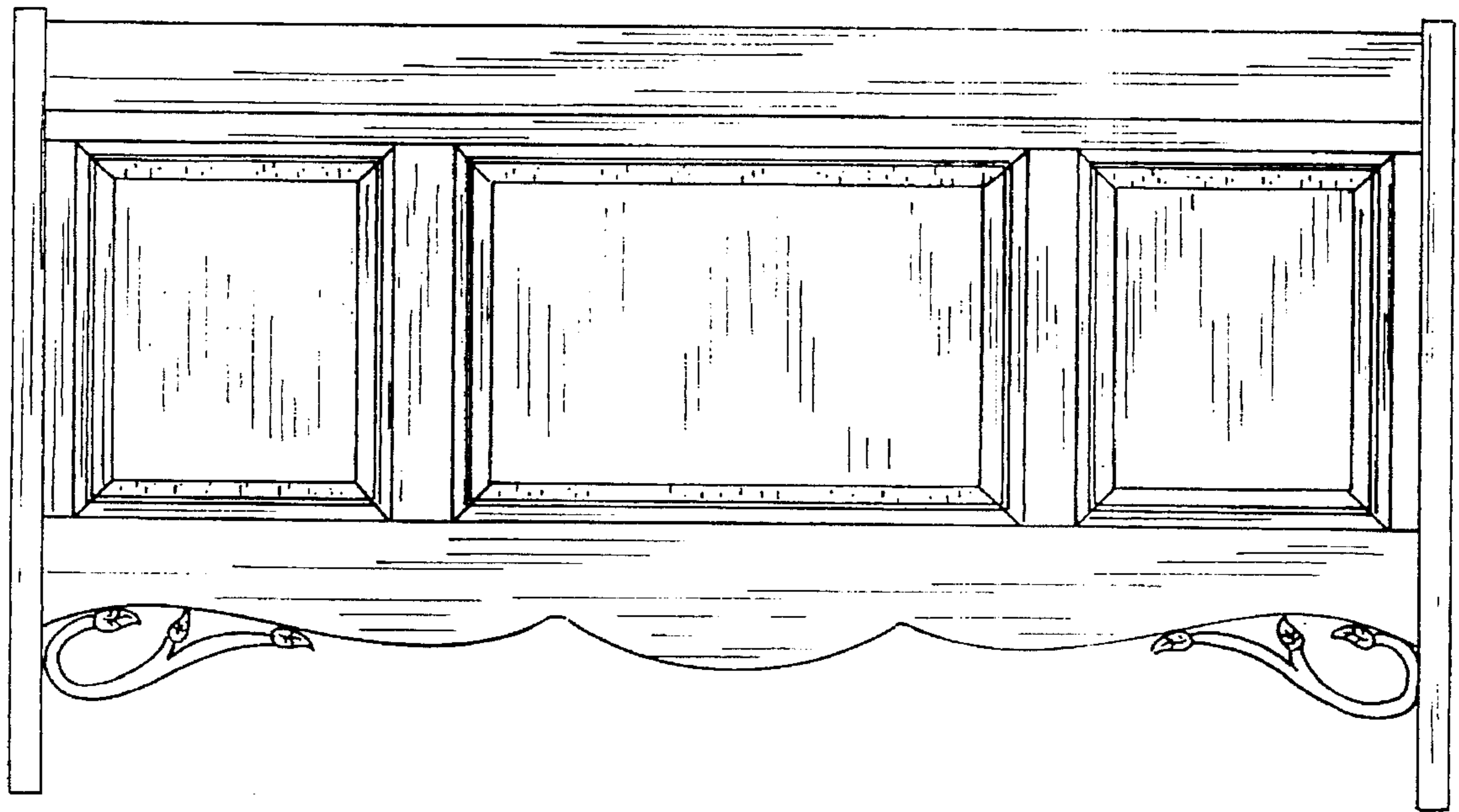


FIG. 7

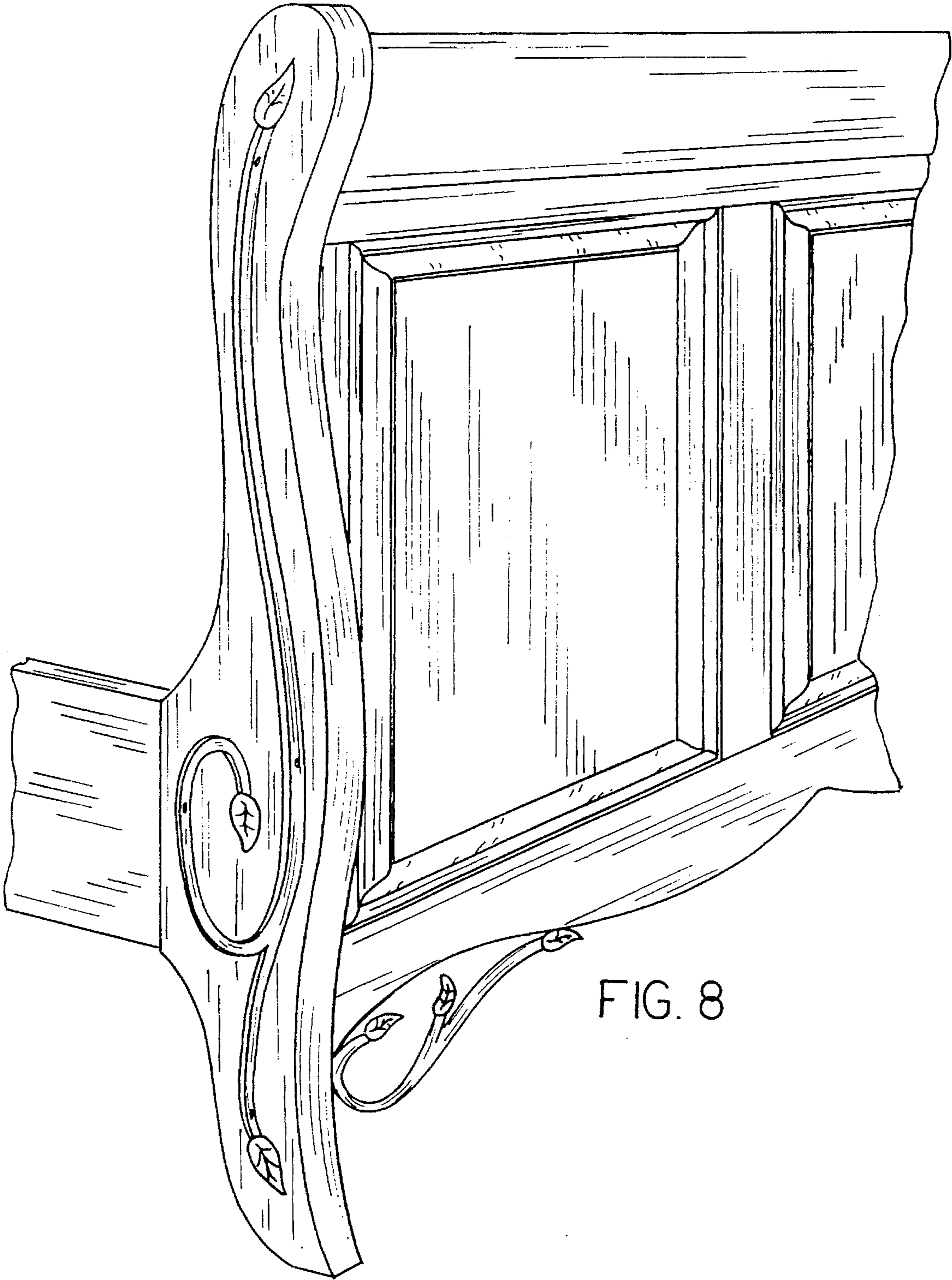


FIG. 8